

US00D657383S

(12) **United States Design Patent**  
**Wang**

(10) **Patent No.:** **US D657,383 S**

(45) **Date of Patent:** **\*\* Apr. 10, 2012**

(54) **AIR COMPRESSOR**

(76) Inventor: **Min-Hsieng Wang**, Taipei (TW)

(\*\*) Term: **14 Years**

(21) Appl. No.: **29/393,755**

(22) Filed: **Jun. 9, 2011**

(51) **LOC (9) Cl.** ..... **15-02**

(52) **U.S. Cl.** ..... **D15/7**

(58) **Field of Classification Search** ..... D15/7-9,  
D15/199; D23/231, 232, 225; 417/410.1,  
417/359, 415-416, 234, 321, 265, 405  
See application file for complete search history.

(56) **References Cited**

**U.S. PATENT DOCUMENTS**

D375,505 S	*	11/1996	Wong	.....	D15/9
D407,412 S	*	3/1999	Wang	.....	D15/9
D434,423 S	*	11/2000	Wang	.....	D15/9
D515,103 S	*	2/2006	Chou	.....	D15/9
D534,447 S	*	1/2007	Marini	.....	D10/86

D557,299 S	*	12/2007	Marini et al.	.....	D15/199
D601,590 S	*	10/2009	Burnham	.....	D15/7
D613,320 S	*	4/2010	Marini	.....	D15/199
D645,056 S	*	9/2011	Marini	.....	D15/9

\* cited by examiner

*Primary Examiner* — Ralf Seifert

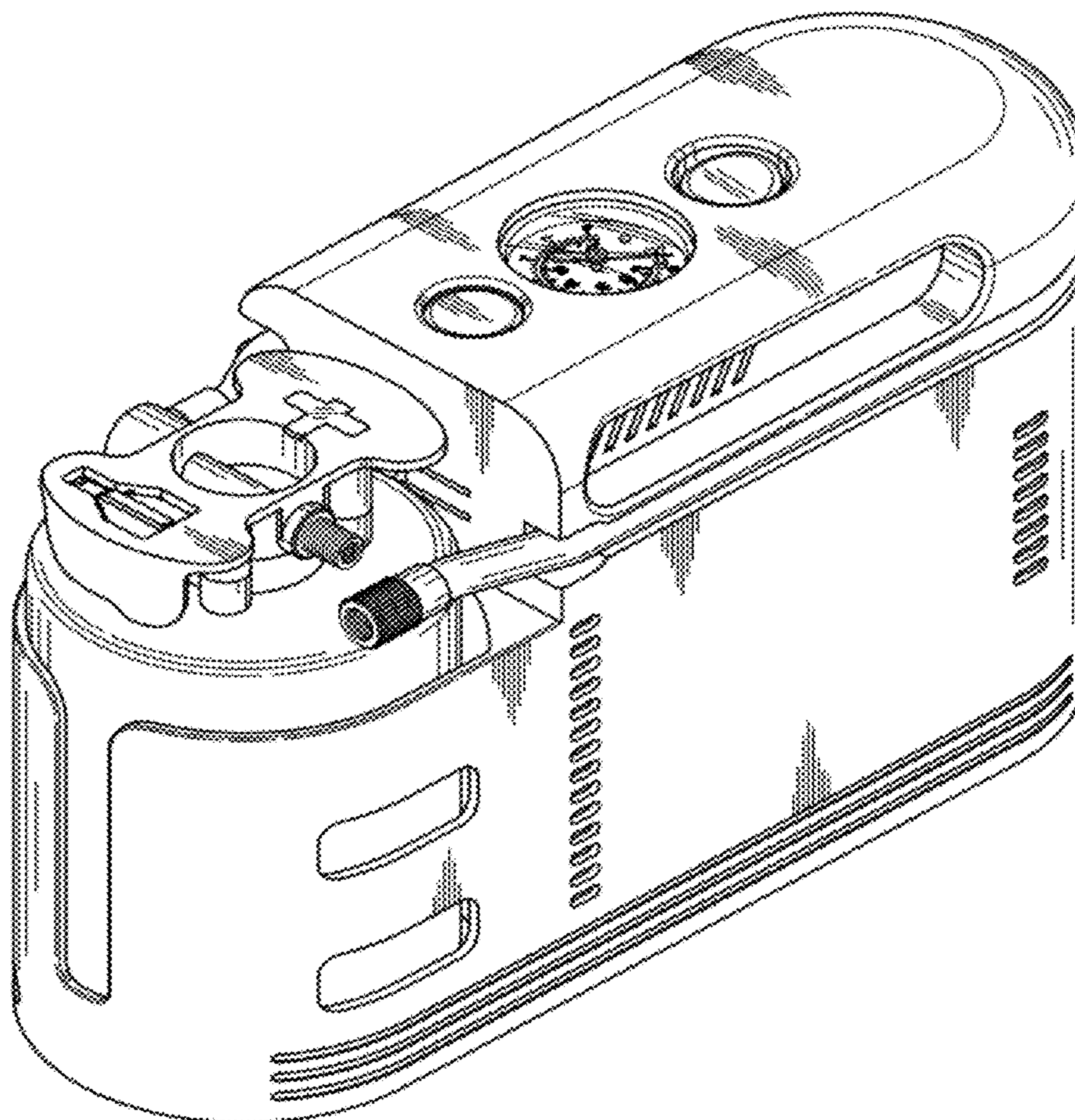
(57) **CLAIM**

The ornamental design for an air compressor, as shown and described.

**DESCRIPTION**

FIG. 1 is a perspective view of an air compressor showing my design;  
 FIG. 2 is a front elevational view thereof;  
 FIG. 3 is a rear elevational view thereof;  
 FIG. 4 is a left side elevational view thereof;  
 FIG. 5 is a right side elevational view thereof;  
 FIG. 6 is a top plan view thereof;  
 FIG. 7 is a bottom plan view thereof; and,  
 FIG. 8 is a perspective view from the other side.

**1 Claim, 8 Drawing Sheets**



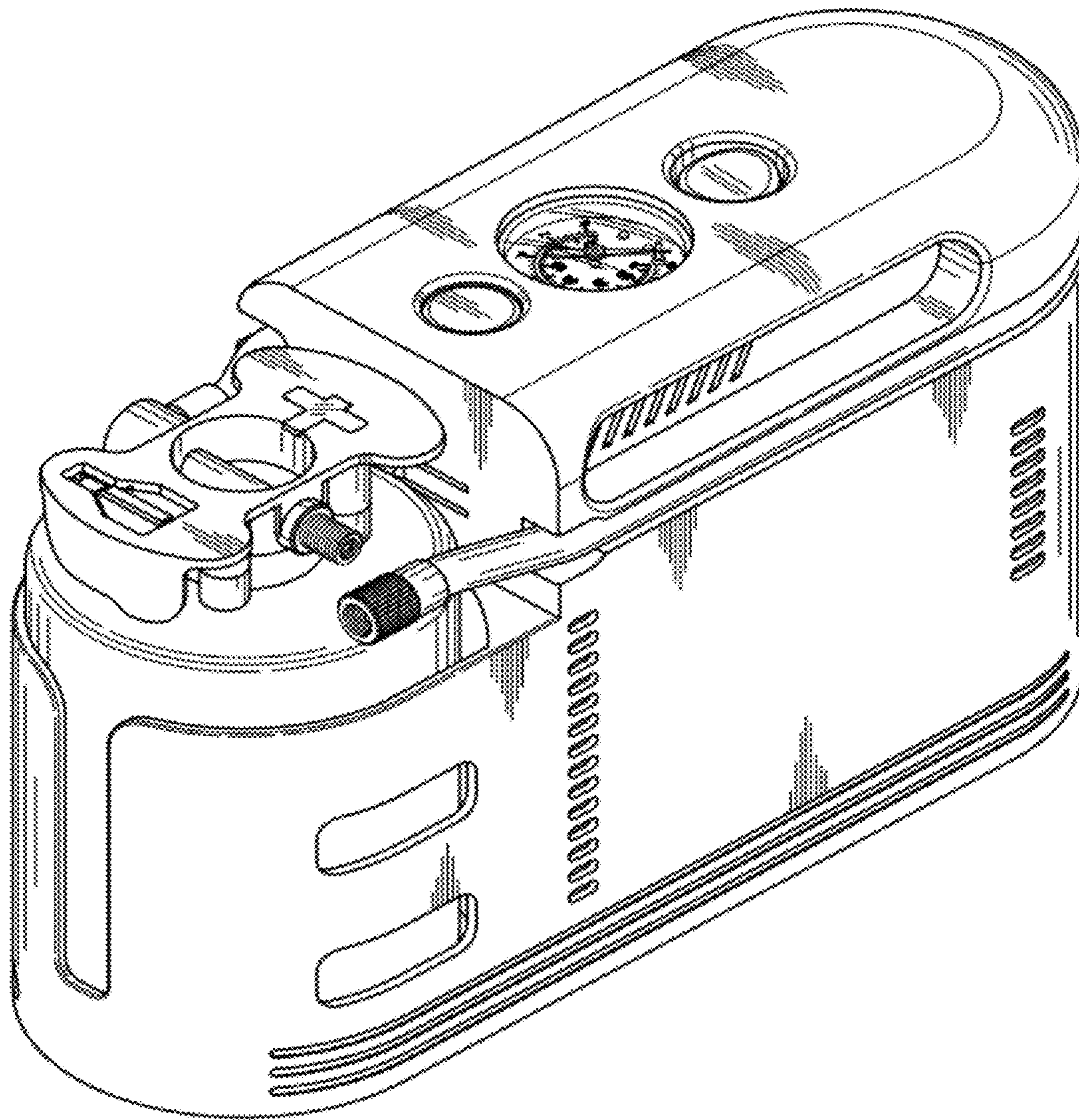


FIG. 1

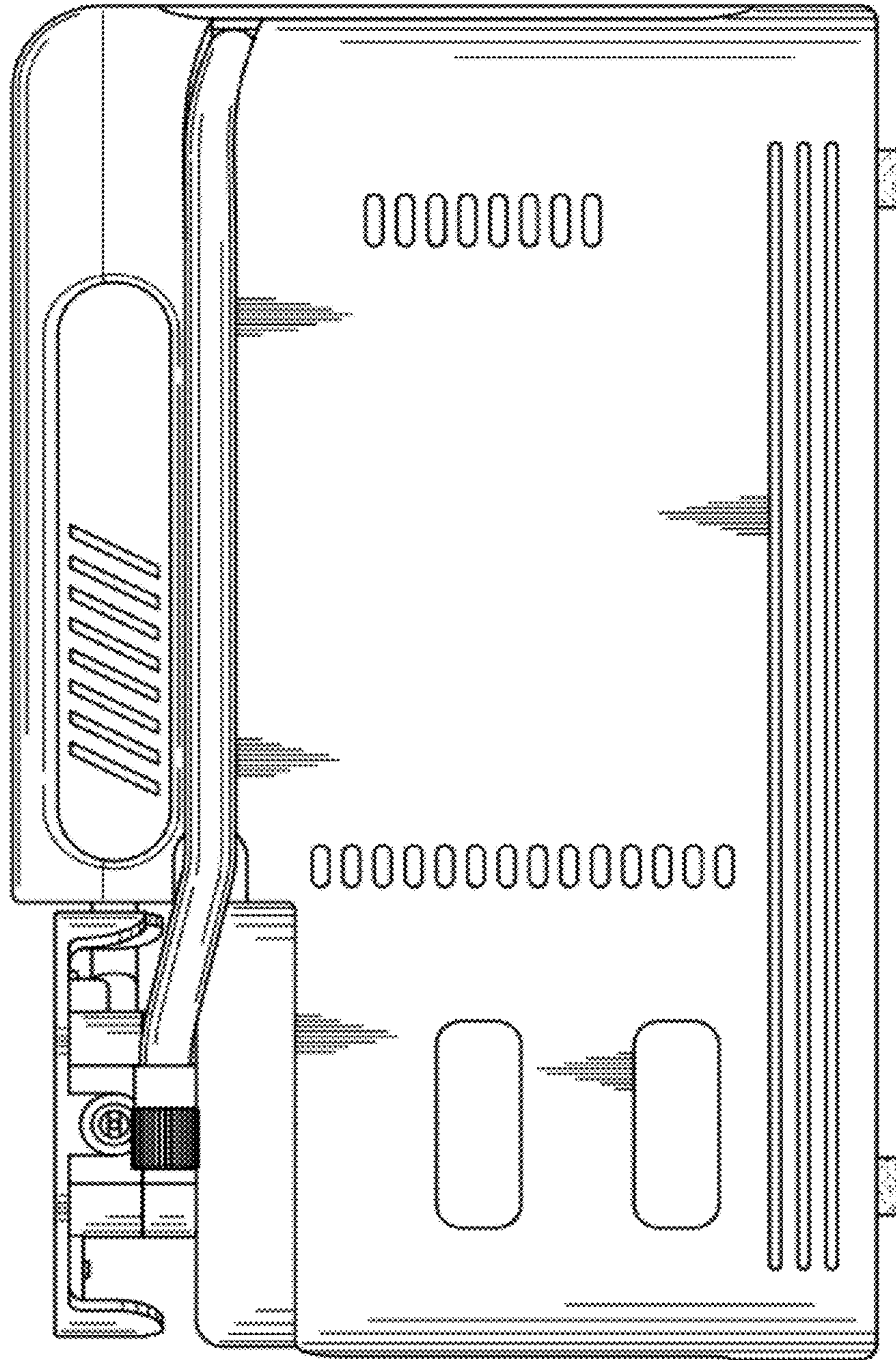


FIG.2

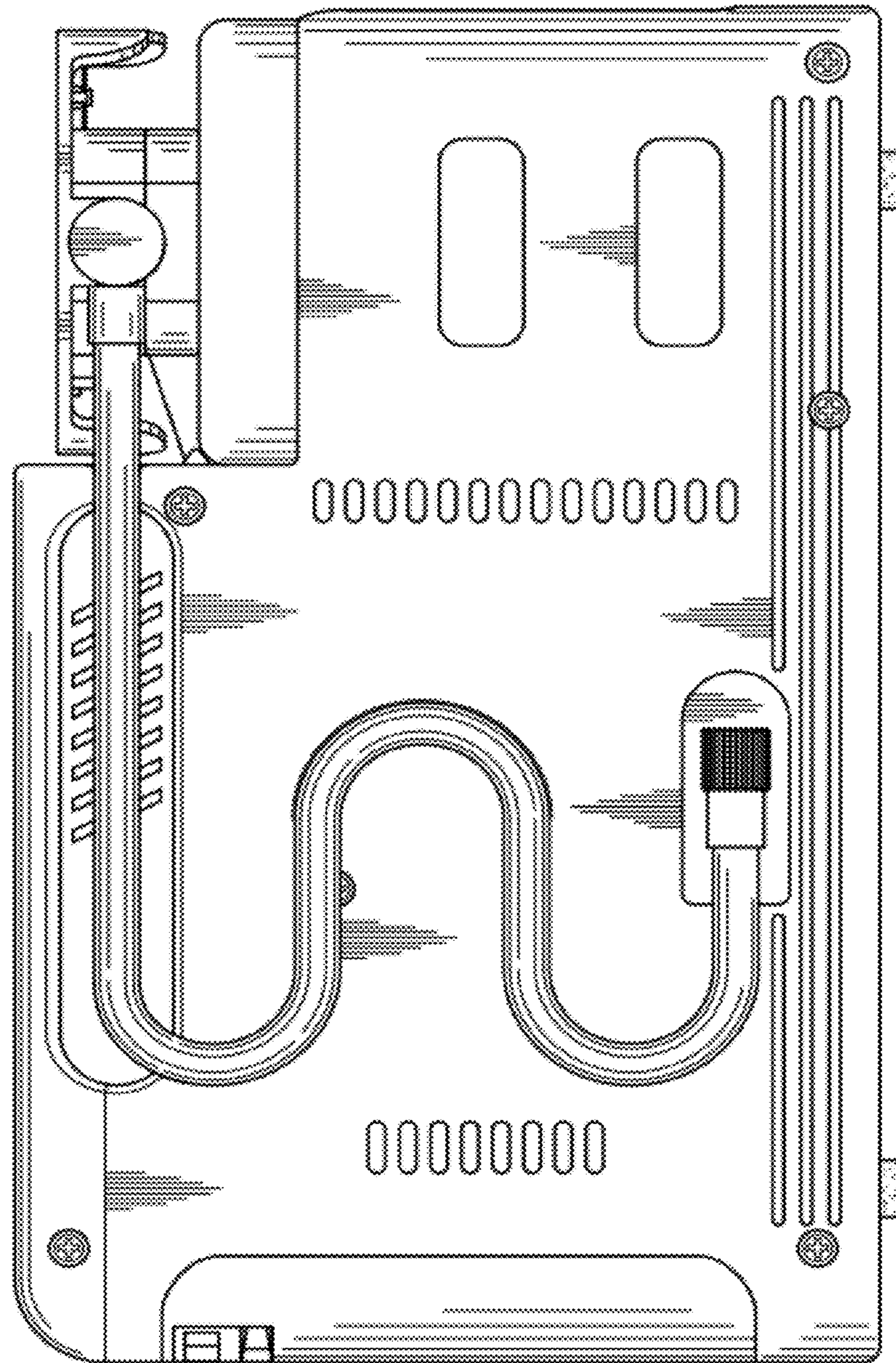


FIG.3

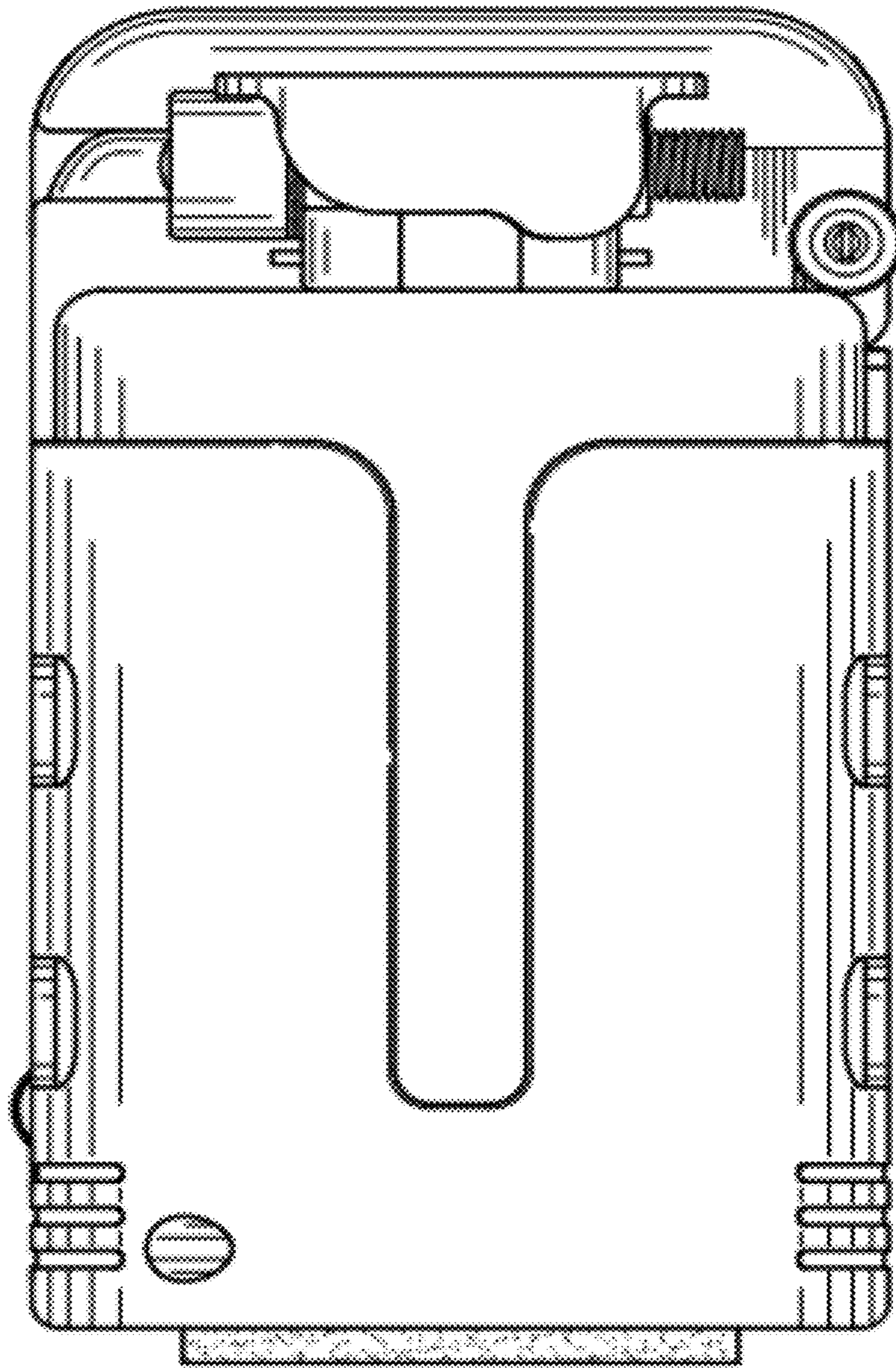


FIG.4

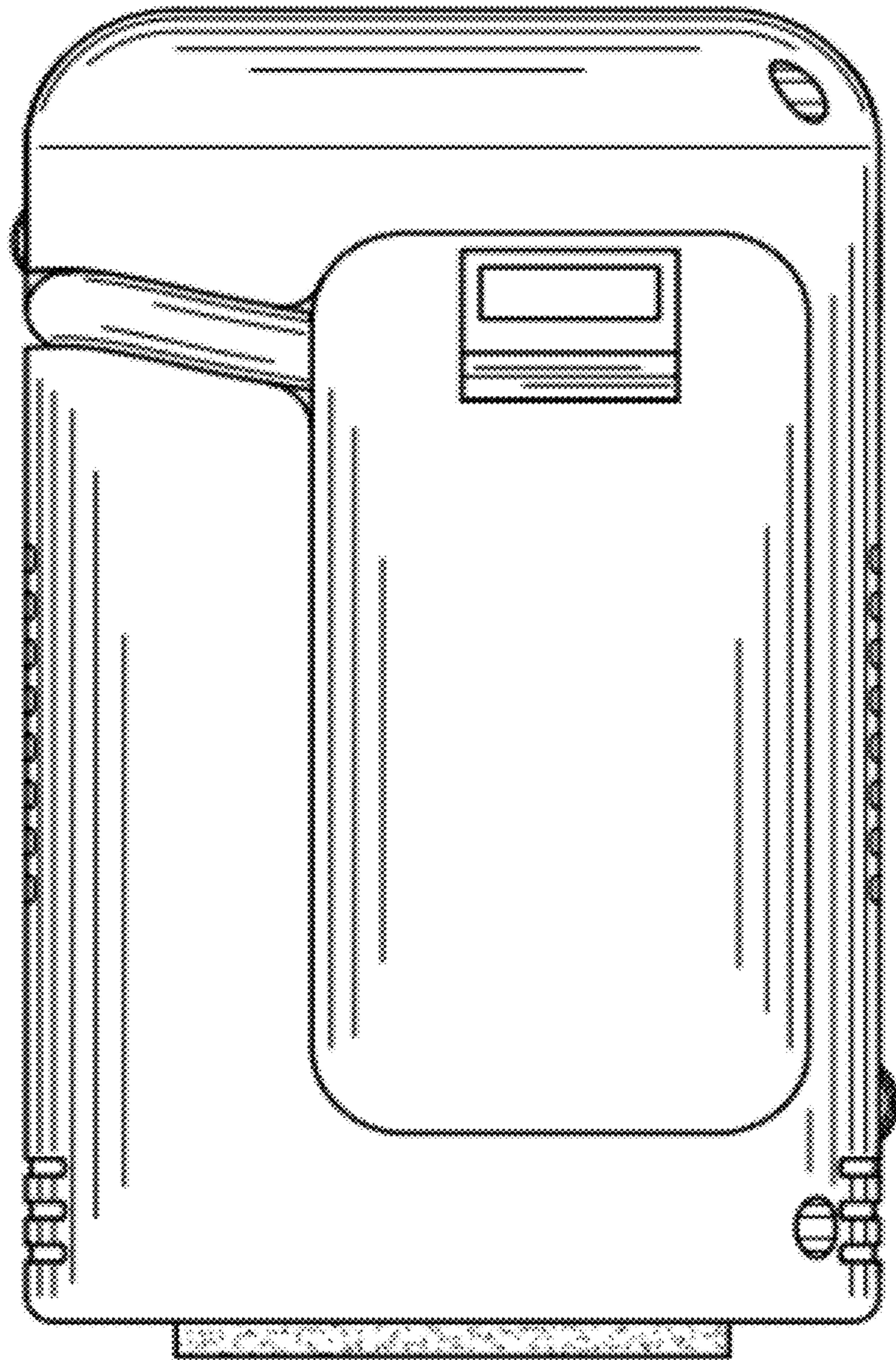


FIG. 5

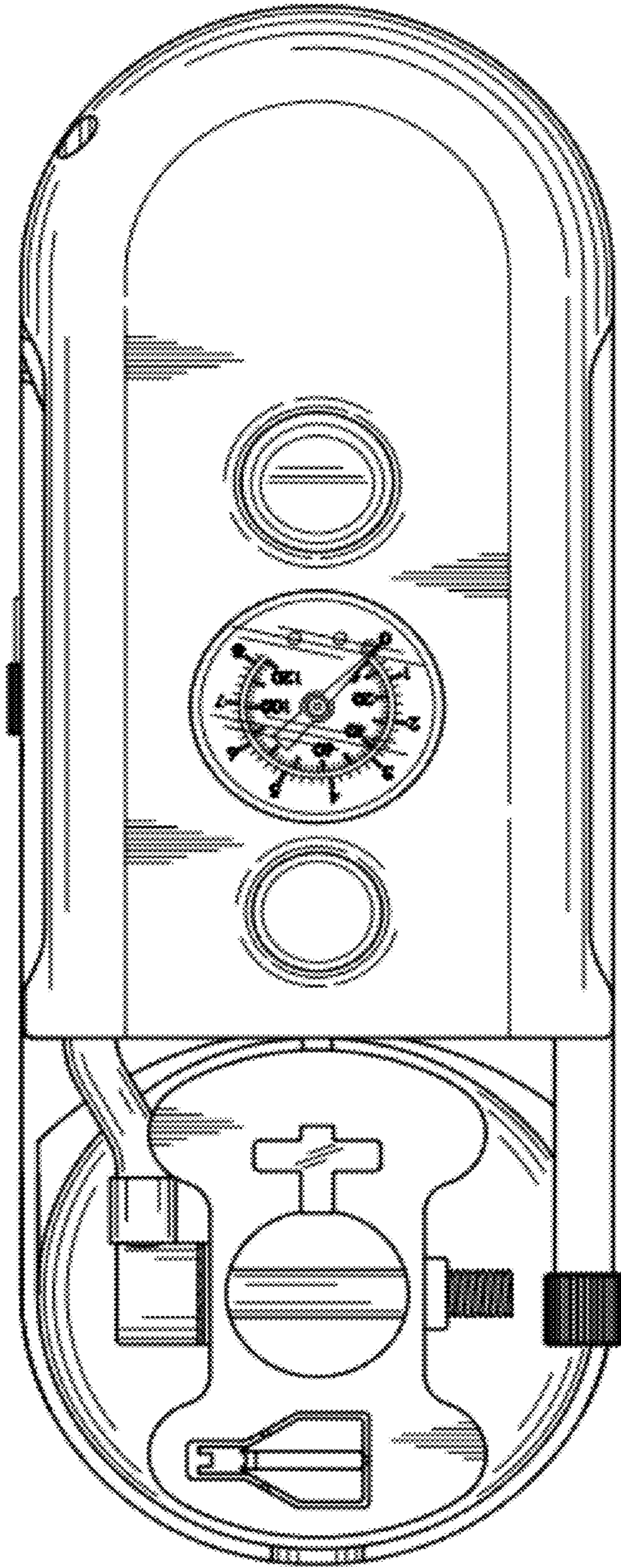


FIG.6

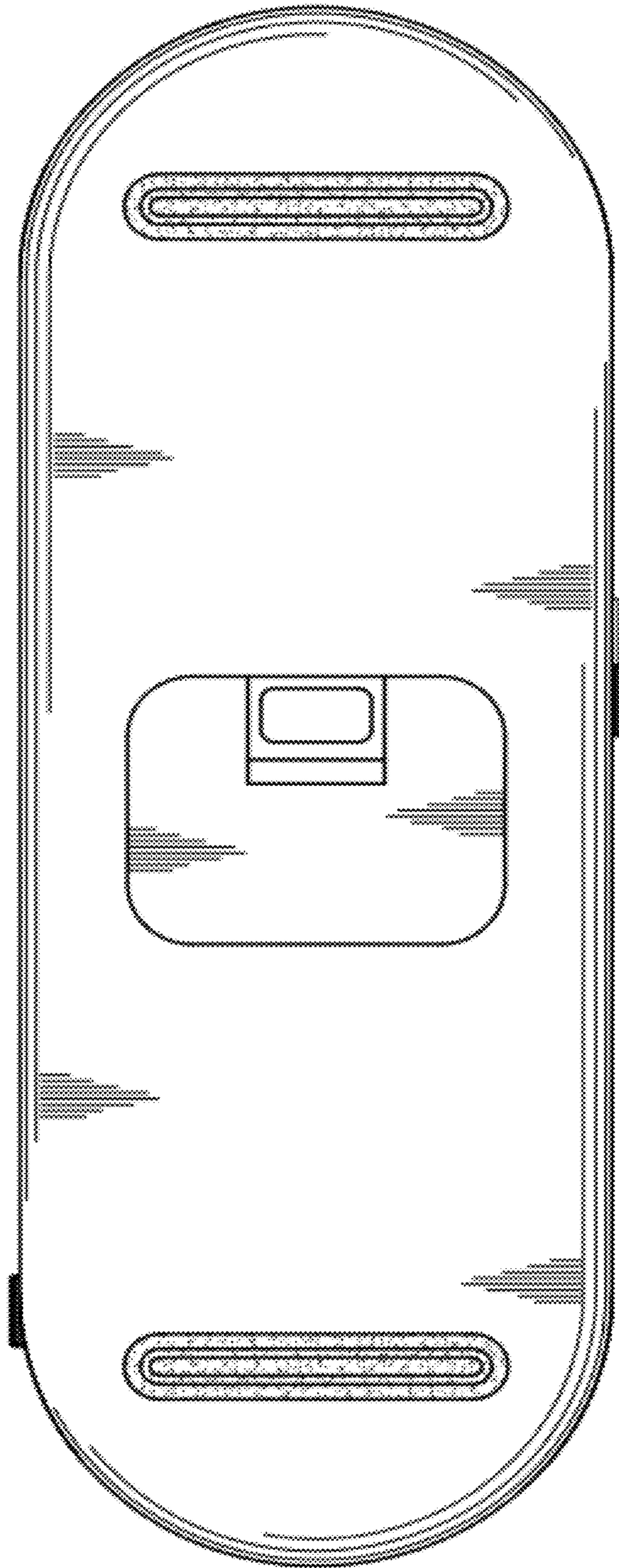


FIG. 7



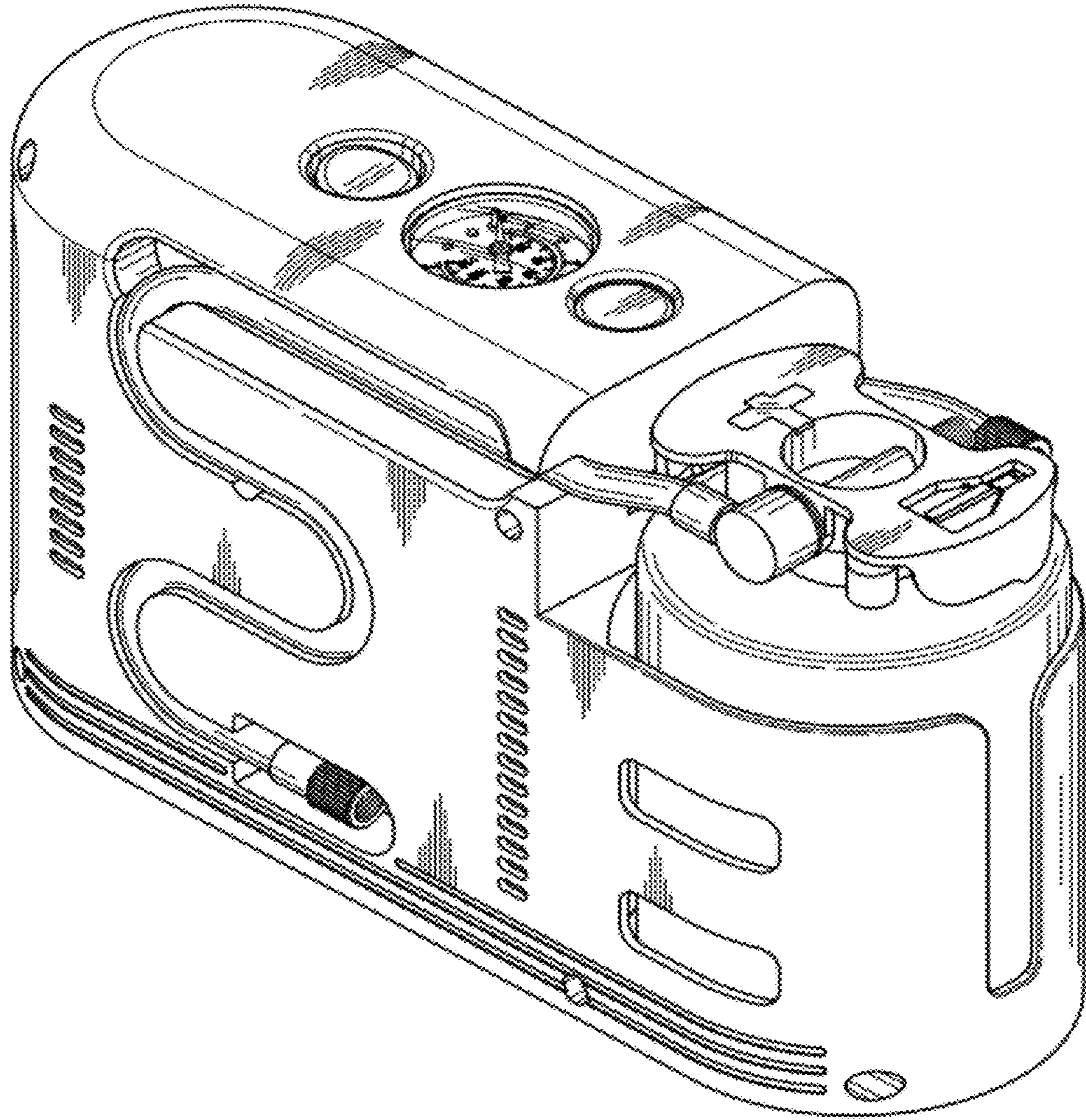


FIG.8