



US00D657381S

(12) **United States Design Patent**  
**Akana et al.**

(10) **Patent No.:** **US D657,381 S**  
(45) **Date of Patent:** **\*\* Apr. 10, 2012**

(54) **HOUSING FOR AN ELECTRONIC DEVICE**

455/344-347, 93, 95, 3.01-3.06, 550.1, 573.1;  
370/342-344; 369/1, 2, 6-12; 463/43-47;  
273/148 B

(75) Inventors: **Jody Akana**, San Francisco, CA (US);  
**Bartley K. Andre**, Menlo Park, CA  
(US); **Jeremy Bataillou**, San Francisco,  
CA (US); **Daniel J. Coster**, San  
Francisco, CA (US); **Teodor Dabov**, San  
Francisco, CA (US); **Daniele De Iuliis**,  
San Francisco, CA (US); **Evans**  
**Hankey**, San Francisco, CA (US);  
**Richard P. Howarth**, San Francisco, CA  
(US); **Jonathan P. Ive**, San Francisco,  
CA (US); **Duncan Robert Kerr**, San  
Francisco, CA (US); **Anthony**  
**Montevirgen**, San Francisco, CA (US);  
**Shin Nishibori**, Portola Valley, CA (US);  
**Matthew Dean Rohrbach**, San  
Francisco, CA (US); **Peter**  
**Russell-Clarke**, San Francisco, CA  
(US); **Christopher J. Stringer**,  
Woodside, CA (US); **Eugene Antony**  
**Whang**, San Francisco, CA (US); **Kyle**  
**Yeates**, Palo Alto, CA (US); **Rico**  
**Zorkendorfer**, San Francisco, CA (US)

See application file for complete search history.

(56) **References Cited**

U.S. PATENT DOCUMENTS

4,359,220 A	11/1982	Morrison et al.	
D303,137 S	8/1989	Brown	
D306,519 S	3/1990	Nakata	
5,128,829 A *	7/1992	Loew .....	361/679.3
D344,511 S	2/1994	Ansai et al.	
D345,304 S	3/1994	Leader	
6,122,526 A *	9/2000	Parulski et al. ....	455/556.1
D432,523 S	10/2000	Grinkus et al.	
D441,735 S	5/2001	Katayama	
D446,499 S	8/2001	Andre et al.	

(Continued)

*Primary Examiner* — Prabhakar Deshmukh

(74) *Attorney, Agent, or Firm* — Sterne, Kessler, Goldstein  
& Fox PLLC

(57) **CLAIM**

The ornamental design for a housing for an electronic device,  
as shown and described.

**DESCRIPTION**

FIG. 1 is a rear top perspective view of a housing for an  
electronic device showing our new design;  
FIG. 2 is a front bottom perspective view thereof;  
FIG. 3 is a rear view thereof;  
FIG. 4 is a front view thereof;  
FIG. 5 is a bottom view thereof;  
FIG. 6 is top view thereof;  
FIG. 7 is a side view thereof; and,  
FIG. 8 is another side view thereof.

The shade lines in the Figures show contour and not surface  
ornamentation.

The broken lines in the Figures show portions of the housing  
for an electronic device which form no part of the claimed  
design.

**1 Claim, 6 Drawing Sheets**

(73) Assignee: **Apple Inc.**, Cupertino, CA (US)

(\*\*) Term: **14 Years**

(21) Appl. No.: **29/403,862**

(22) Filed: **Oct. 12, 2011**

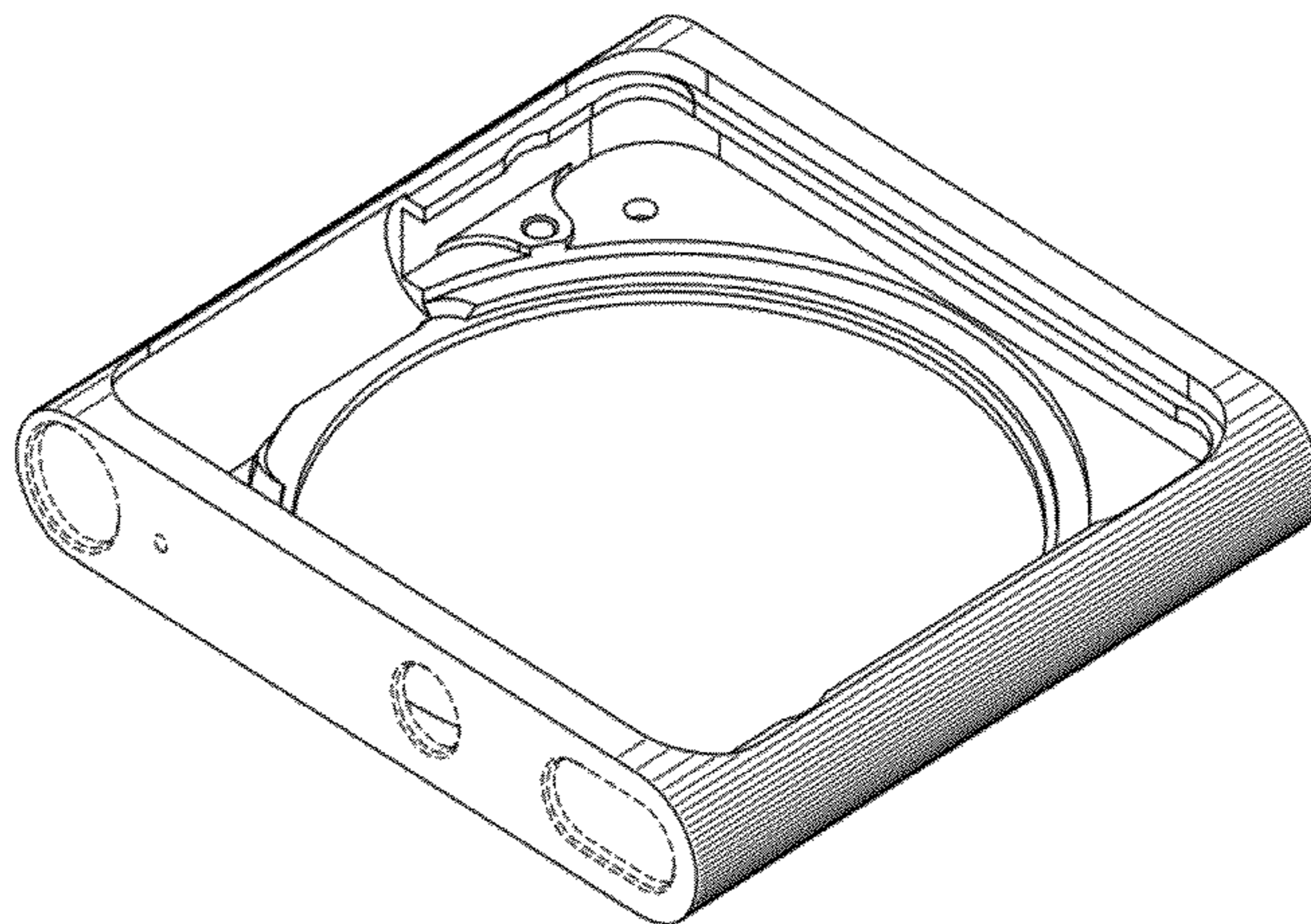
**Related U.S. Application Data**

(63) Continuation of application No. 29/368,972, filed on  
Aug. 31, 2010, now Pat. No. Des. 647,107, which is a  
continuation of application No. 29/367,998, filed on  
Aug. 16, 2010, now Pat. No. Des. 638,443.

(51) **LOC (9) Cl.** ..... **14-03**

(52) **U.S. Cl.** ..... **D14/496; D14/203.3**

(58) **Field of Classification Search** ..... D14/496,  
D14/401, 435, 474, 483, 217, 137, 138, 160,  
D14/168, 356, 203.1-203.8, 507; 345/156,  
345/169, 173-179, 905; 715/727-729, 864;  
710/1, 5, 8; 713/1, 600; 455/1.1, 1.7, 73,



# US D657,381 S

Page 2

## U.S. PATENT DOCUMENTS

6,354,477	B1 *	3/2002	Trummer	.....	224/575	D577,990	S	10/2008	Andre et al.	
D473,207	S	4/2003	Tanio			D579,952	S	11/2008	Yamada	
6,567,011	B1 *	5/2003	Young et al.	.....	340/12.28	D580,953	S	11/2008	Andre et al.	
6,595,860	B1 *	7/2003	Yamamoto et al.	.....	463/43	D585,077	S	1/2009	Sheba et al.	
D478,076	S *	8/2003	Hong	.....	D14/345	D586,740	S	2/2009	Song	
D503,409	S	3/2005	Wong et al.			D586,741	S	2/2009	Song	
D506,476	S	6/2005	Andre et al.			D588,545	S	3/2009	Andre et al.	
D515,545	S	2/2006	Griffin			D589,530	S	3/2009	Andre et al.	
D516,579	S	3/2006	Nakamura			D590,826	S *	4/2009	Andre et al.	..... D14/341
7,013,164	B2	3/2006	Lin			D591,766	S	5/2009	Andre et al.	
D520,502	S	5/2006	Xu et al.			D592,677	S	5/2009	Sheba et al.	
D534,184	S	12/2006	Leija et al.			D593,994	S	6/2009	Andre et al.	
D534,545	S	1/2007	Leija et al.			D597,090	S	7/2009	Bemelmans	
D539,814	S	4/2007	Andre et al.			D597,558	S	8/2009	Andre et al.	
D551,680	S	9/2007	Andre et al.			D601,172	S	9/2009	Andre et al.	
D555,171	S *	11/2007	Dai	.....	D14/496	D606,040	S	12/2009	Andre et al.	
D559,860	S	1/2008	Andre et al.			D608,342	S	1/2010	Andre et al.	
D559,861	S	1/2008	Andre et al.			D616,899	S	6/2010	Andre et al.	
D560,228	S	1/2008	Andre et al.			D618,206	S	6/2010	Andre et al.	
D563,434	S *	3/2008	Dai	.....	D14/496	D618,207	S	6/2010	Andre et al.	
D568,338	S	5/2008	Andre et al.			D627,367	S	11/2010	Andre et al.	
D569,389	S	5/2008	Andre et al.			D629,789	S	12/2010	Andre et al.	
D570,876	S	6/2008	Lee			D638,854	S	5/2011	Andre et al.	
D574,014	S	7/2008	Dai			D643,402	S	8/2011	Andre et al.	
D575,304	S	8/2008	Andre et al.			2005/0049015	A1	3/2005	Wang	

\* cited by examiner

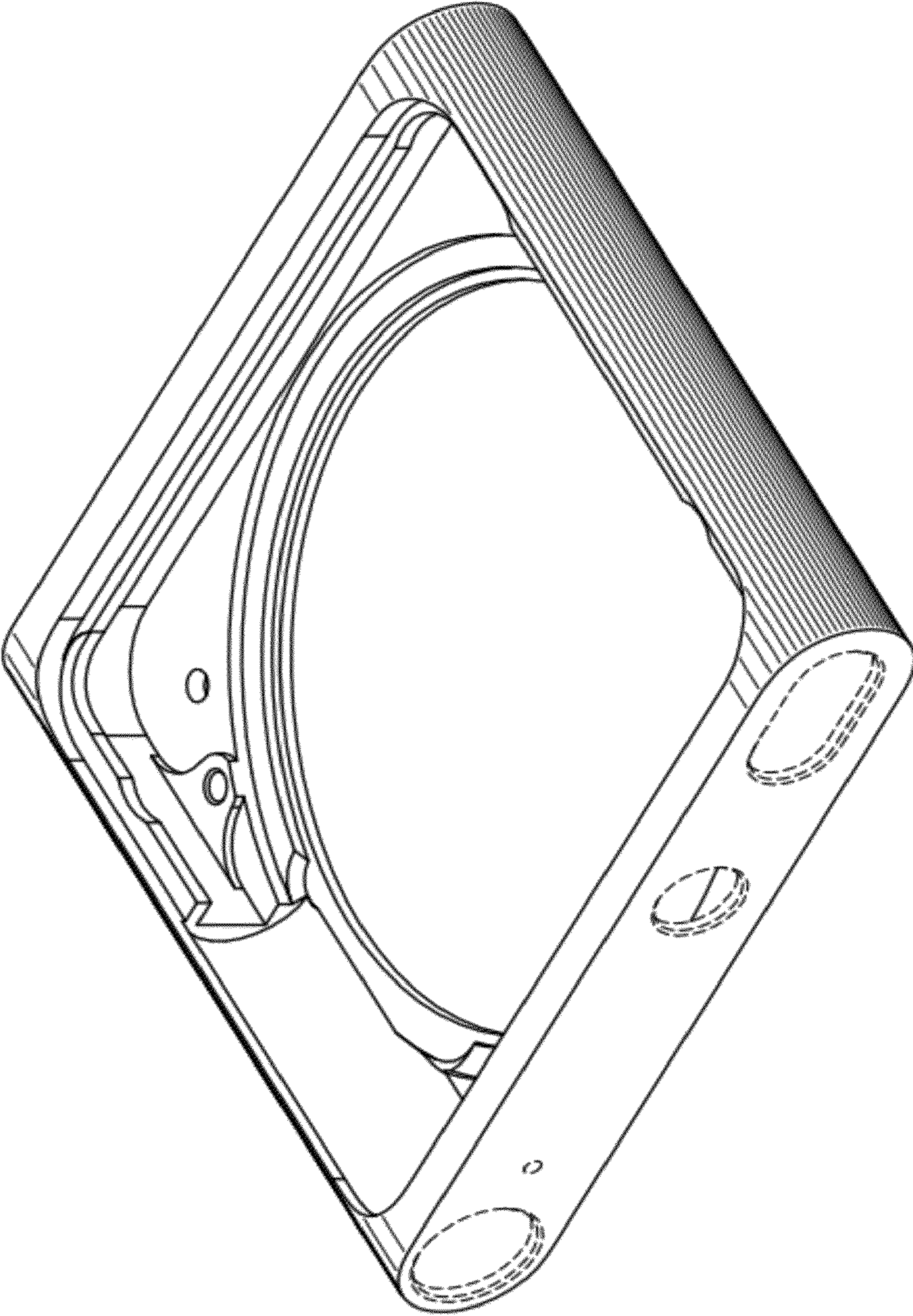


FIG. 1

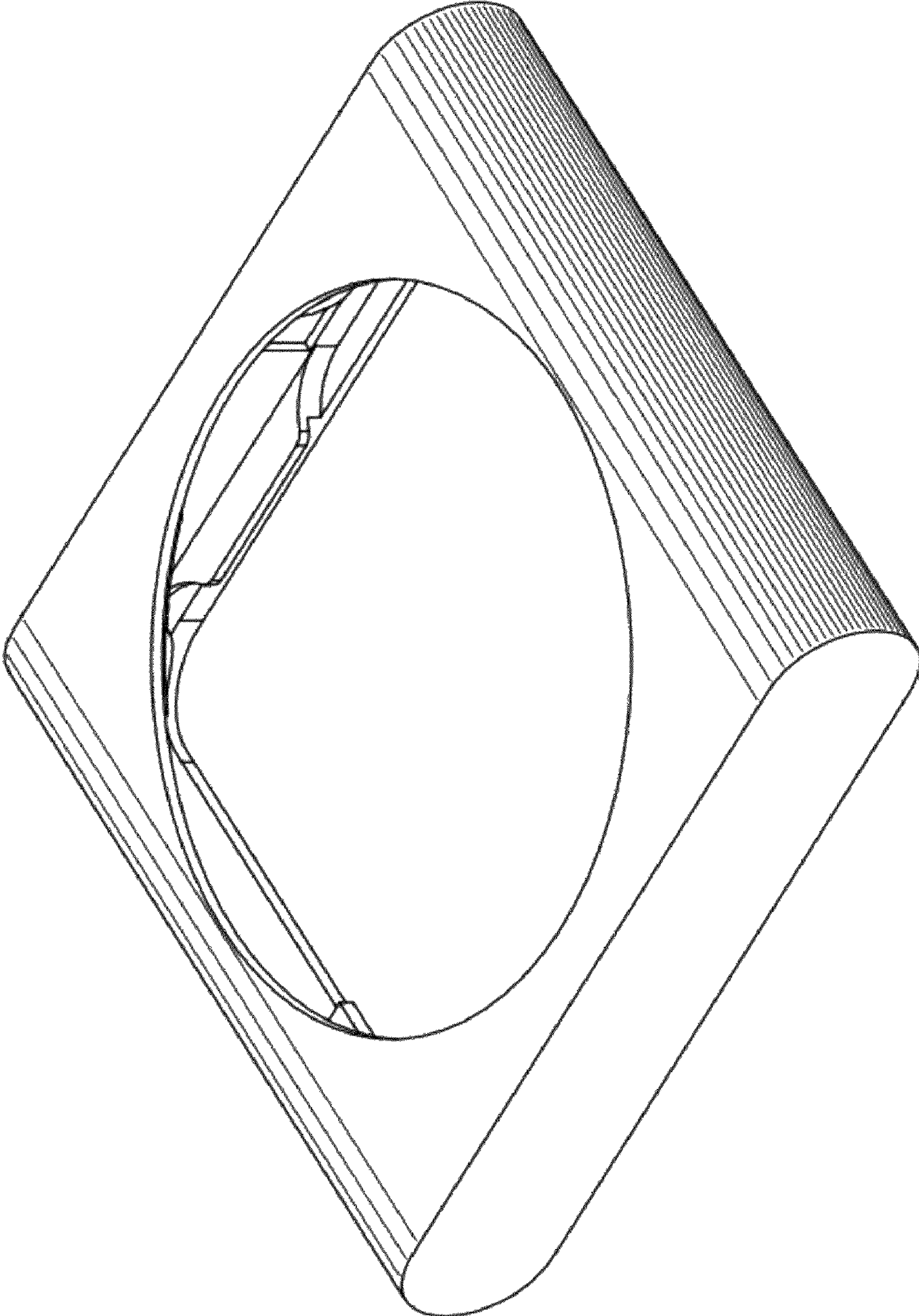


FIG.2

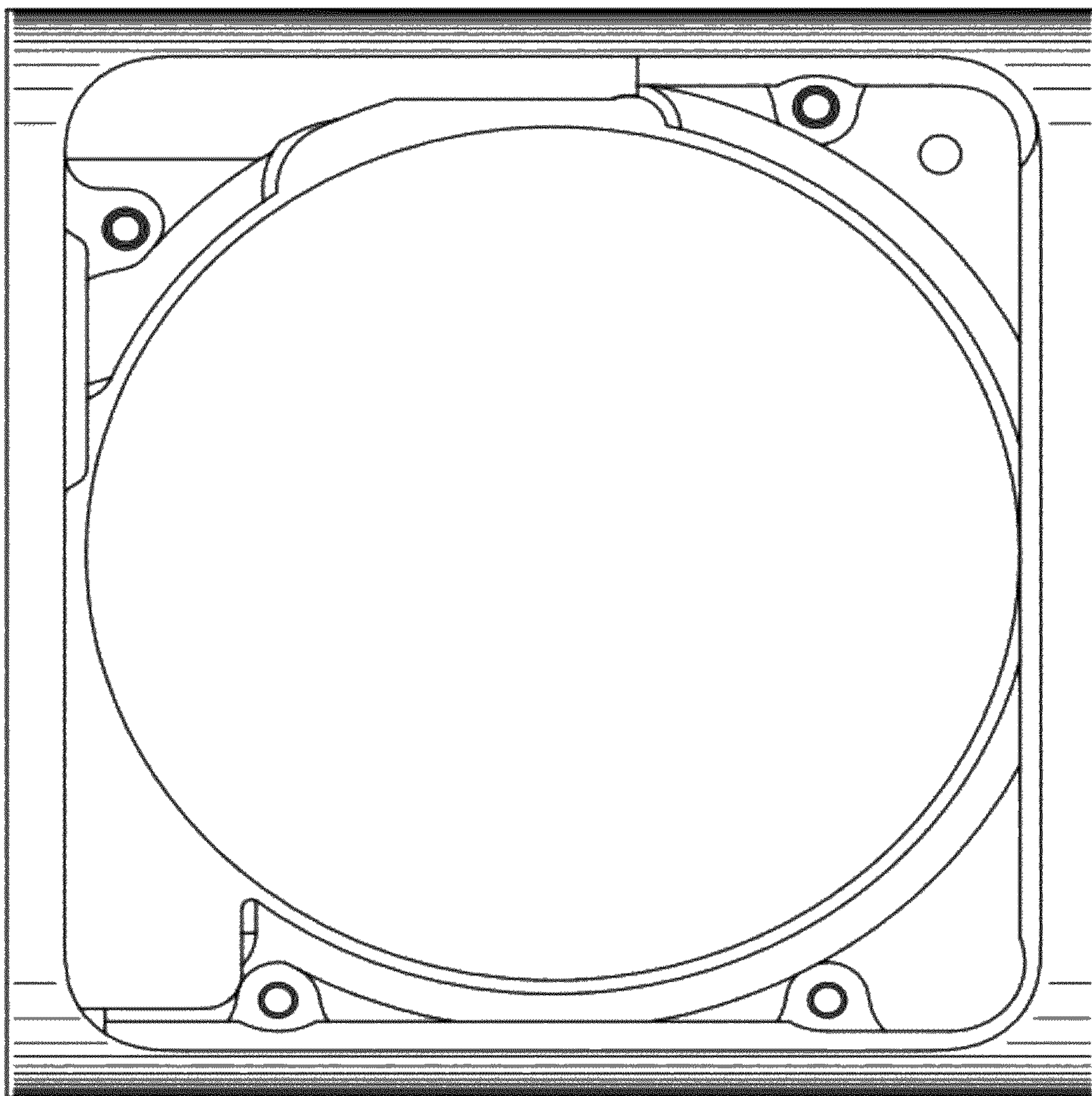


FIG.3

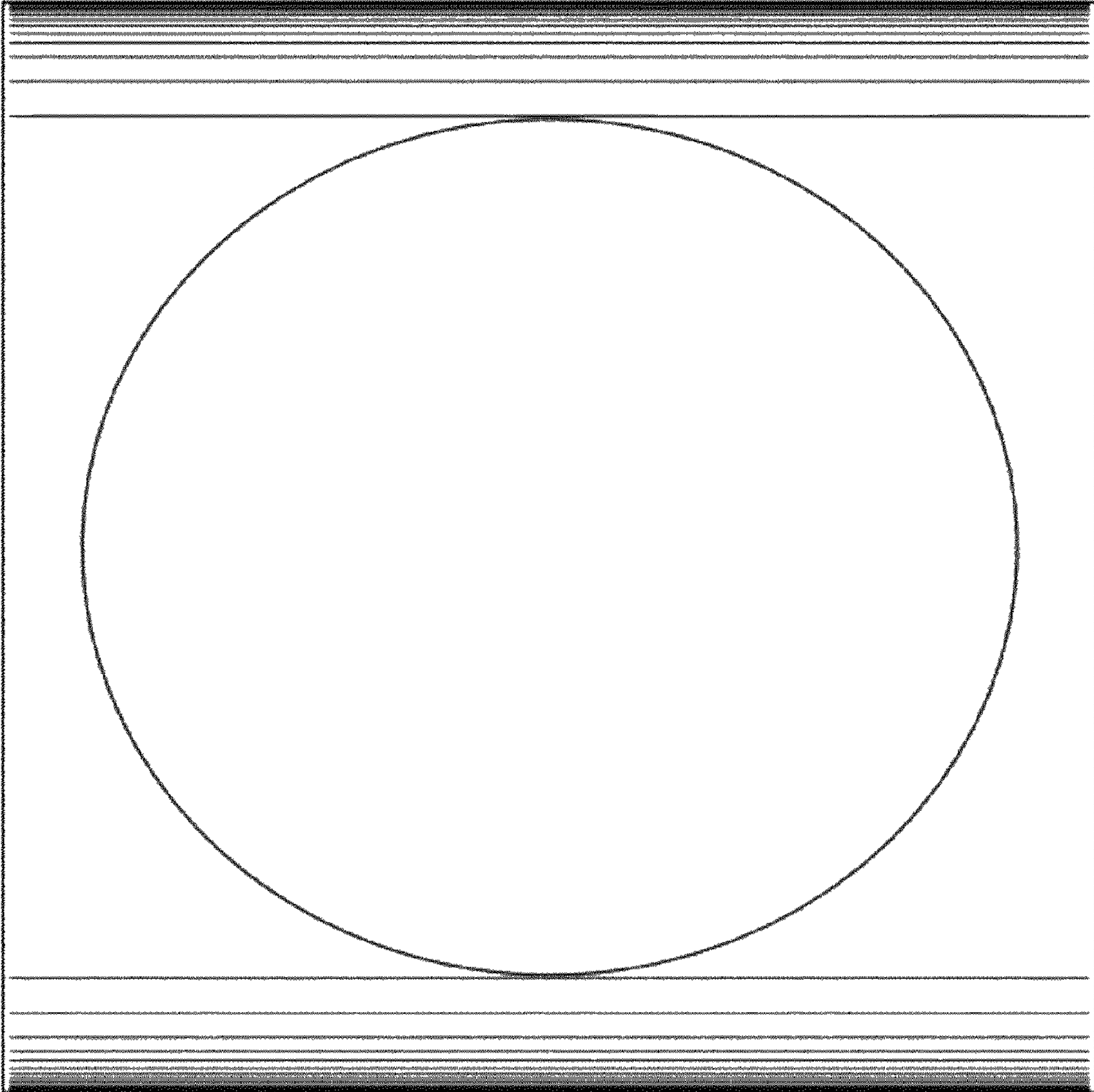


FIG.4

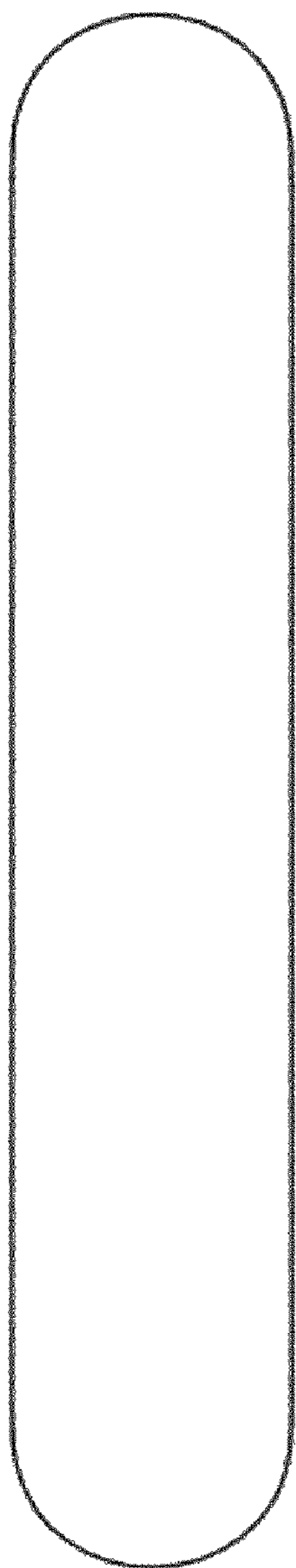


FIG. 5

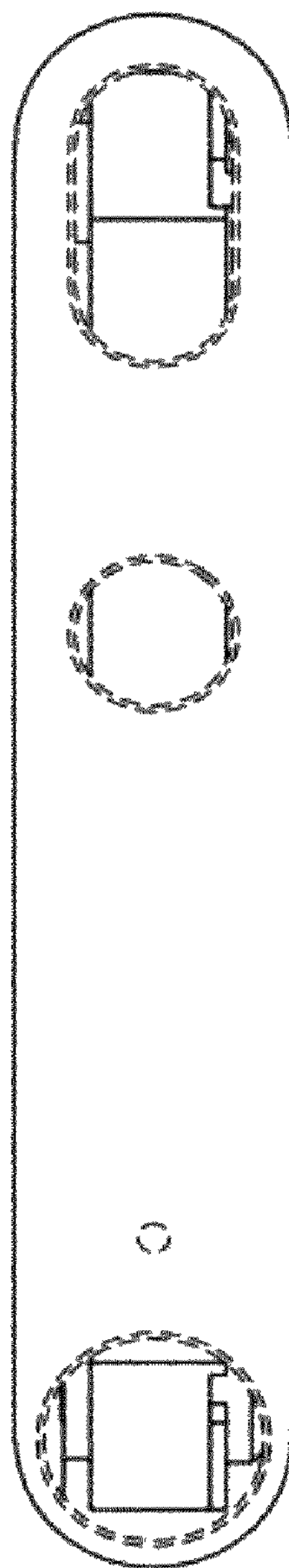
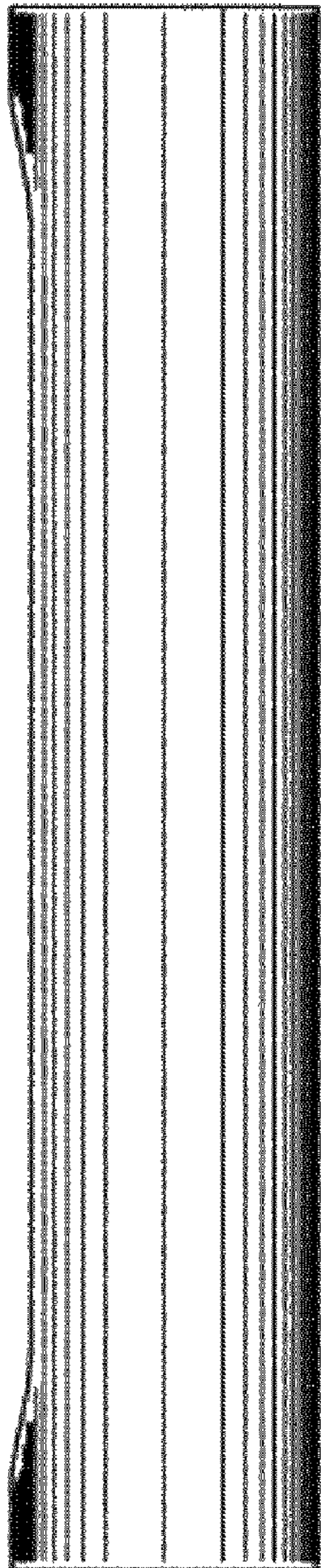
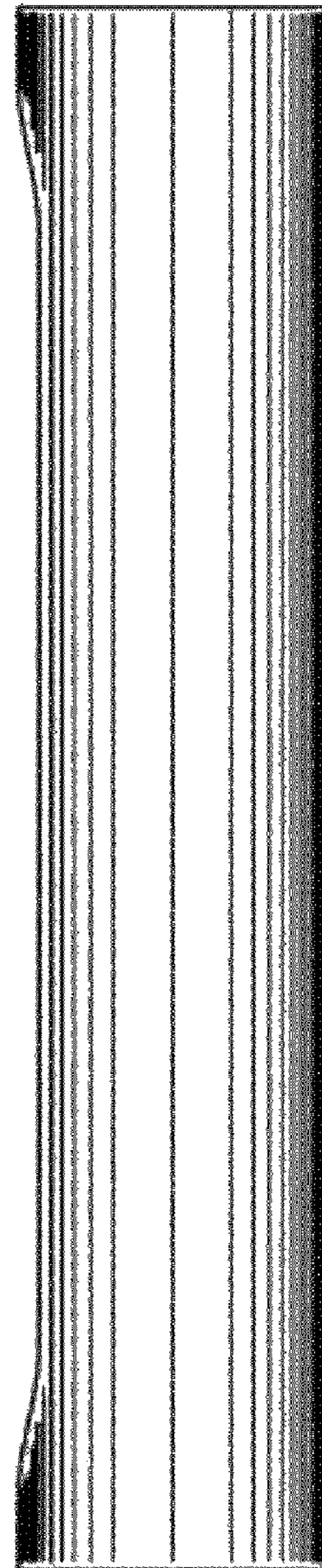


FIG. 6



*FIG. 7*



*FIG. 8*