



US00D657366S

(12) **United States Design Patent**
Leung

(10) **Patent No.:** **US D657,366 S**
(45) **Date of Patent:** **** Apr. 10, 2012**

(54) **FIGURE SHAPED USB MEMORY DEVICE**

(75) Inventor: **Chun Fai Leung**, Kowloon (HK)

(73) Assignee: **P.S.L. Limited**, Kowloon (HK)

(**) Term: **14 Years**

(21) Appl. No.: **29/394,352**

(22) Filed: **Jun. 16, 2011**

(51) **LOC (9) Cl.** **14-02**

(52) **U.S. Cl.** **D14/480.2; D14/480.6; D21/630**

(58) **Field of Classification Search** D14/411,
D14/433, 435.1, 436, 480.1–480.7, 484.1,
D14/137, 155, 203.1–203.8, 240; D13/133,
D13/154; 710/300, 301; 439/131, 135–147;
361/679.31, 679.33, 679.4, 752; 711/100,
711/115; D21/621, 630, 659

See application file for complete search history.

(56) **References Cited**

U.S. PATENT DOCUMENTS

D50,317 S *	2/1917	Morse	D21/630
D51,440 S *	10/1917	Klagsbrunn	D21/621
2,106,148 A *	1/1938	Kellner	446/97
D168,222 S *	11/1952	Harano	D6/607
D212,005 S *	8/1968	Roberts	D14/155
D271,405 S *	11/1983	Helein	D21/630
D333,784 S *	3/1993	Goodman	D3/302
D494,953 S *	8/2004	Leung	D14/141.3
D501,898 S *	2/2005	Rutherford et al.	D21/623
D508,965 S *	8/2005	Golliher	D21/566
D515,585 S *	2/2006	Landau	D14/432
D523,017 S *	6/2006	Blaustein	D14/480.2
7,443,691 B1 *	10/2008	Davis	361/752
D589,956 S *	4/2009	Barker	D14/480.2
D592,217 S *	5/2009	Chen	D14/480.2
D594,870 S *	6/2009	Leung	D14/480.2
D595,365 S *	6/2009	Wilk et al.	D21/621
D602,998 S *	10/2009	Garcia	D21/621
D620,495 S *	7/2010	Chen	D14/480.2
7,766,716 B2 *	8/2010	Fong et al.	446/99
D629,805 S *	12/2010	Nysen et al.	D14/433
D632,292 S *	2/2011	Yang et al.	D14/385
D638,074 S *	5/2011	Wong	D21/621

2007/0073950 A1 *	3/2007	Sheng	710/301
2010/0029167 A1 *	2/2010	Leung	446/72
2011/0182014 A1 *	7/2011	Zhang et al.	361/679.4

OTHER PUBLICATIONS

8GB Lego Man Thumb Drive by sgedra on Etsy, [online] Sold on Nov. 30, 2009 [retrieved on Jun. 17, 2011]. Retrieved from the Internet <URL: <http://www.etsy.com/listing/28894726/8gb-lego-man-thumb-drive>>.*

A-Data Technology: Theme series T809 Mascot Flash Drive, p. 1 [online], [retrieved on May 25, 2011]. Retrieved from the Internet <URL: http://www.adata.com.tw/en/product_show.php?ProductNo=AT89ZZZWH>.*

Gear Live | Home: Mimobot Available in a Galaxy Not So Far Away, p. 4 [online] Oct. 27, 2006 [retrieved on Dec. 13, 2006]. Retrieved from the Internet <URL: <http://www.gearlive.com/index.php/news/category/USB/>>.*

Gear Live | Home: Kingston DataTraveler Mini Fun Goes Tiny, p. 8 [online] Aug. 15, 2006 [retrieved on Dec. 13, 2006]. Retrieved from the Internet <URL: <http://www.gearlive.com/index.php/news/category/USB/>>.*

iDale >> USB: Phono to Digital in Style!, p. 4 [online] May 13, 2009 [retrieved on Aug. 11, 2009]. Retrieved from the Internet <URL: <http://www.idale.co.za/tag/usb/>>.*

(Continued)

Primary Examiner — Karen E Kearney

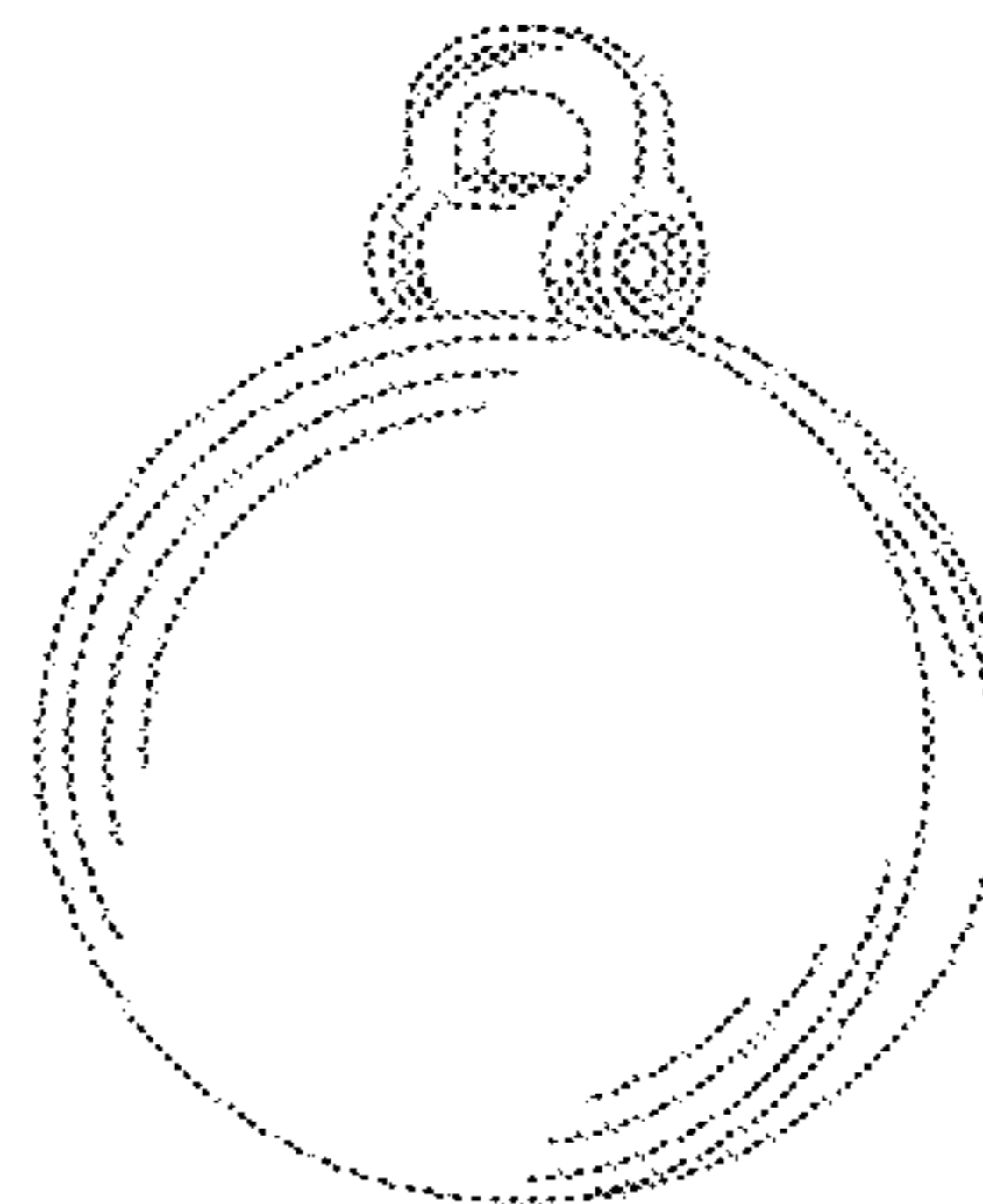
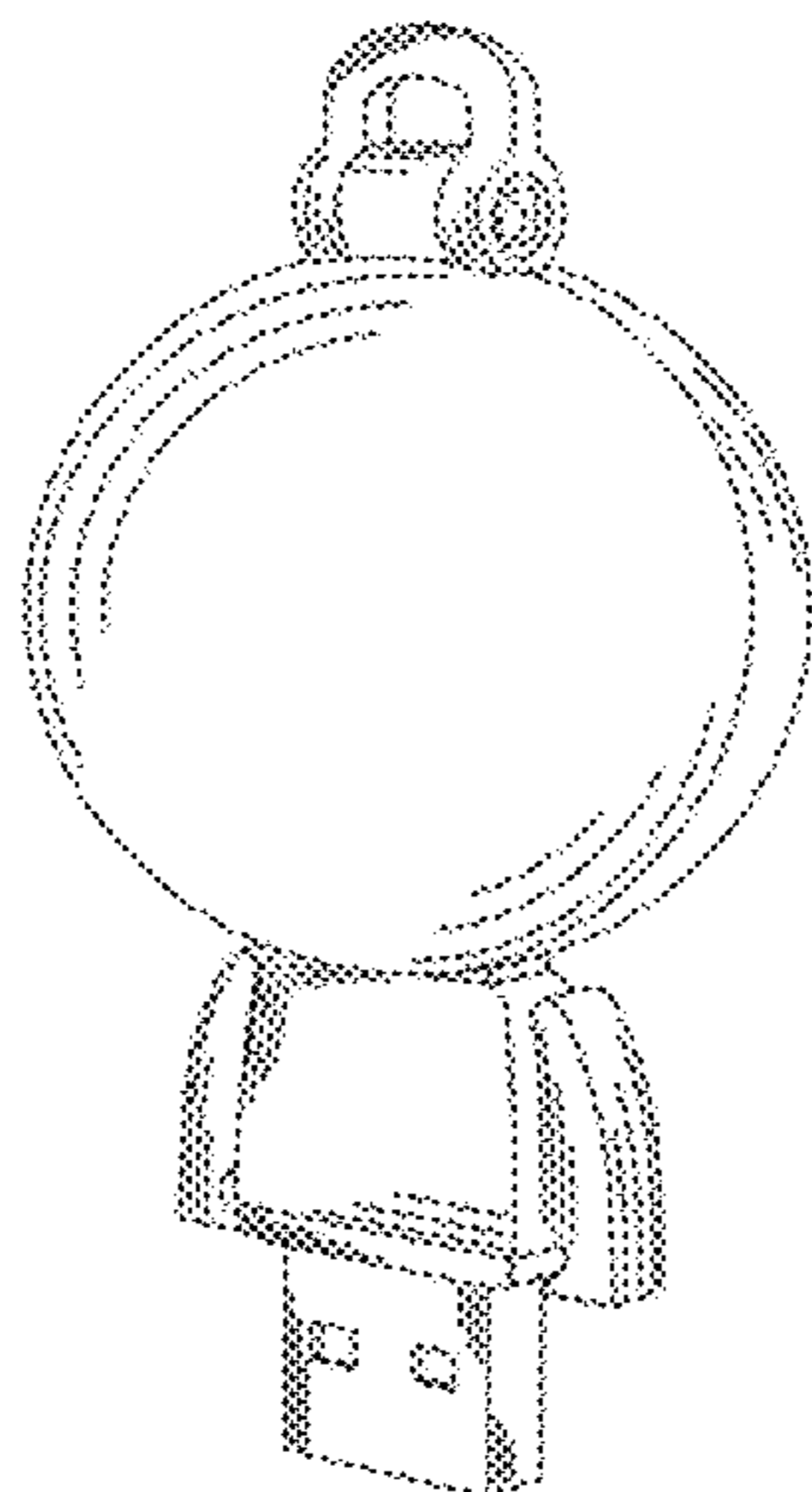
(57) **CLAIM**

The ornamental design for a figure shaped USB memory device, as shown.

DESCRIPTION

FIG. 1 is a front elevational view of a figure shaped USB memory device showing my new design;
FIG. 2 is a rear elevational view thereof;
FIG. 3 is a left side elevational view thereof;
FIG. 4 is a right side elevational view thereof.
FIG. 5 is a top plan view thereof;
FIG. 6 is a bottom plan view thereof;
FIG. 7 is a perspective view thereof;
FIG. 8 is another perspective view thereof; and,
FIG. 9 is another perspective view thereof.

1 Claim, 4 Drawing Sheets



OTHER PUBLICATIONS

Redismo Fine Products Ltd—Cell Phone Data Cables, Cell Phone Accessories, Computer Accessories, p. 4 [online], [retrieved on Oct. 28, 2008]. Retrieved from the Internet <URL: <http://redismo.trustpass.alibaba.com/>>.*

Mobile Magazine >> C-3PO Gets Resurrected as USB Flash Drive, p. 1 [online] Sep. 24, 2009 [retrieved on Nov. 2, 2009]. Retrieved

from the Internet <URL: <http://www.mobilemag.com/2009/09/24/c-3po-gets-resurrected-as-usb-flash-drive/>>.*

Official Lego USB Drive, [online], [retrieved on Jun. 17, 2011]. Retrieved from the Internet <URL: <http://www.techfresh.net/official-lego-usb-drives/>>.*

* cited by examiner

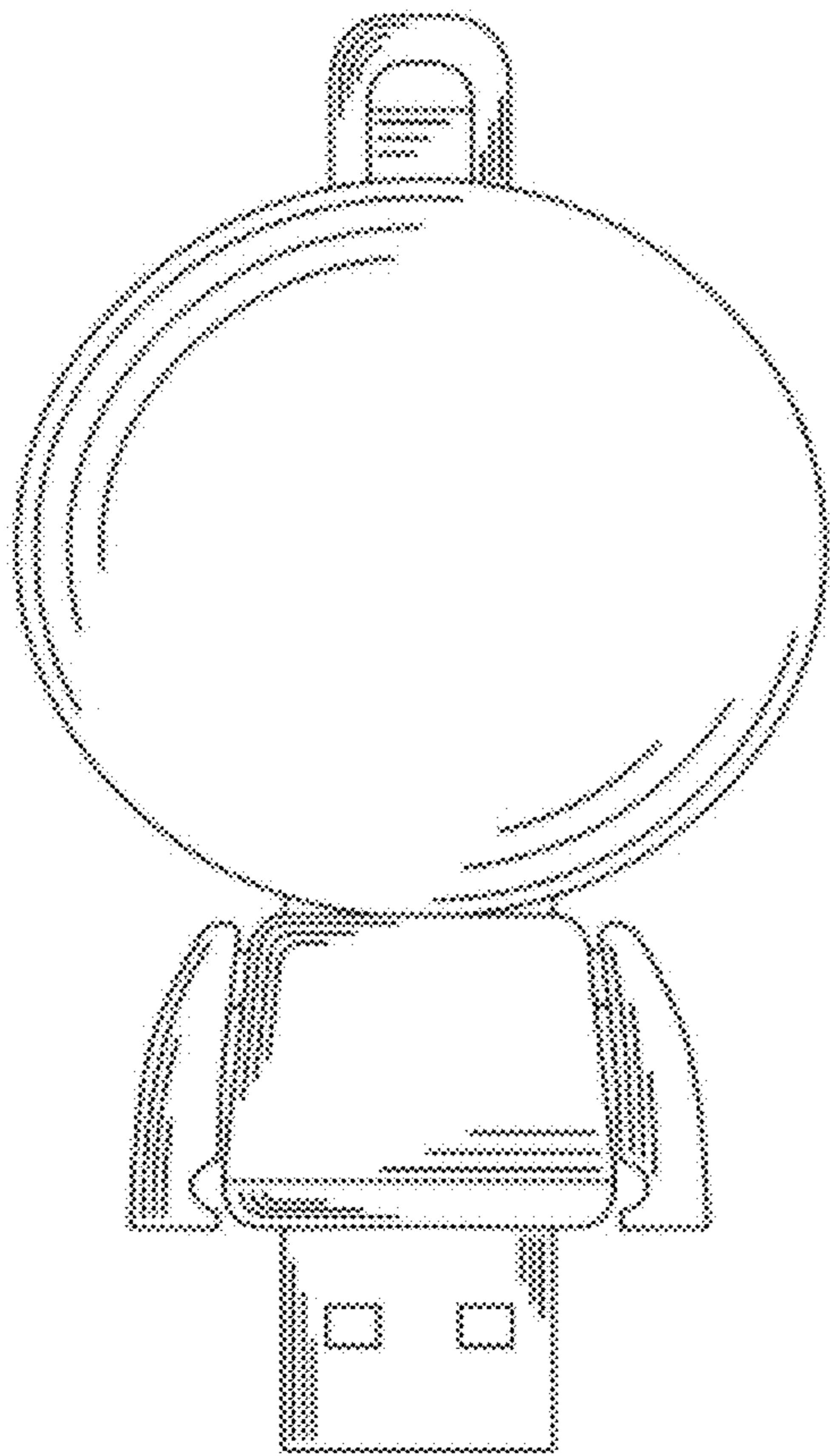


FIG. 1

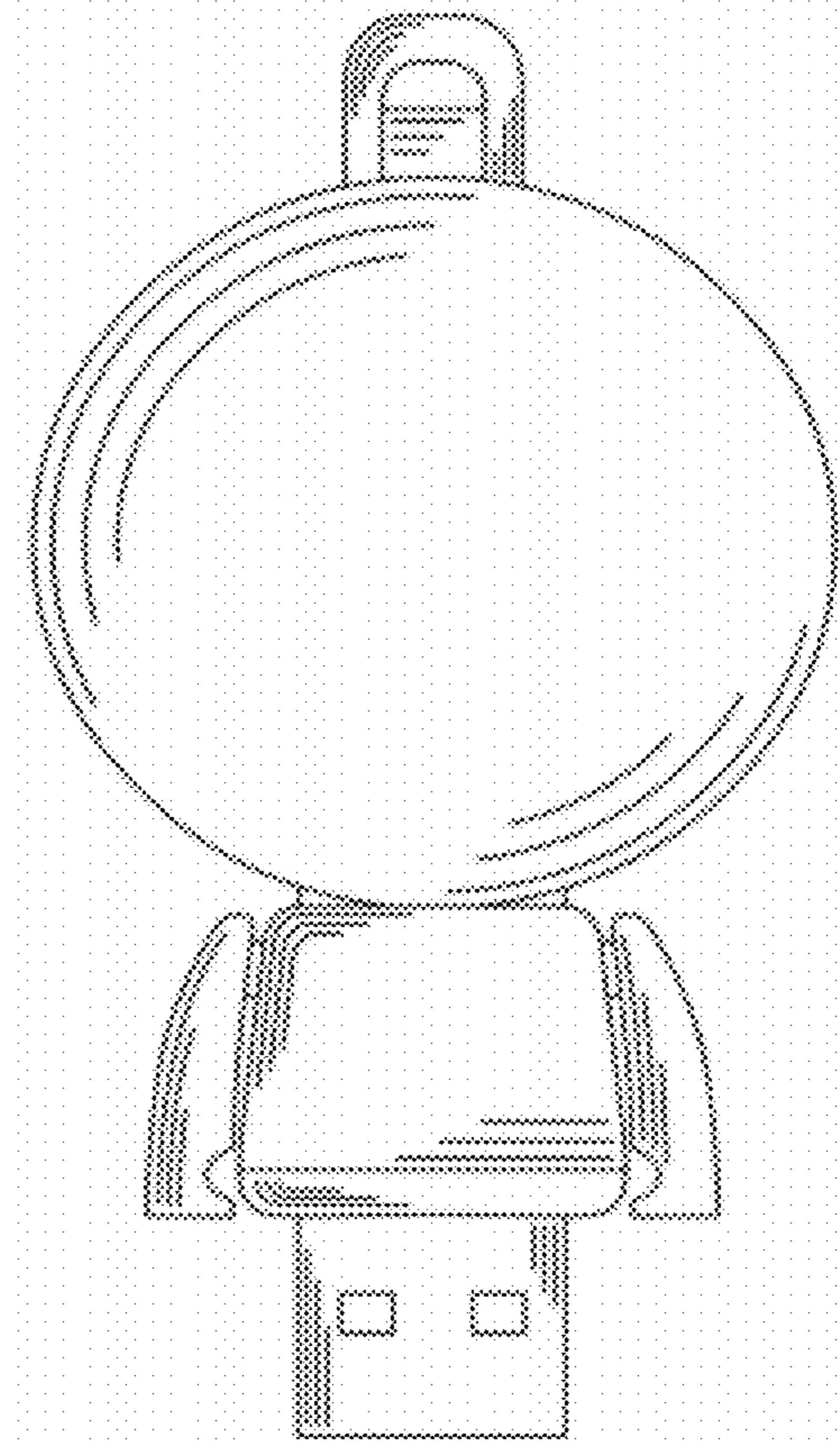


FIG. 2

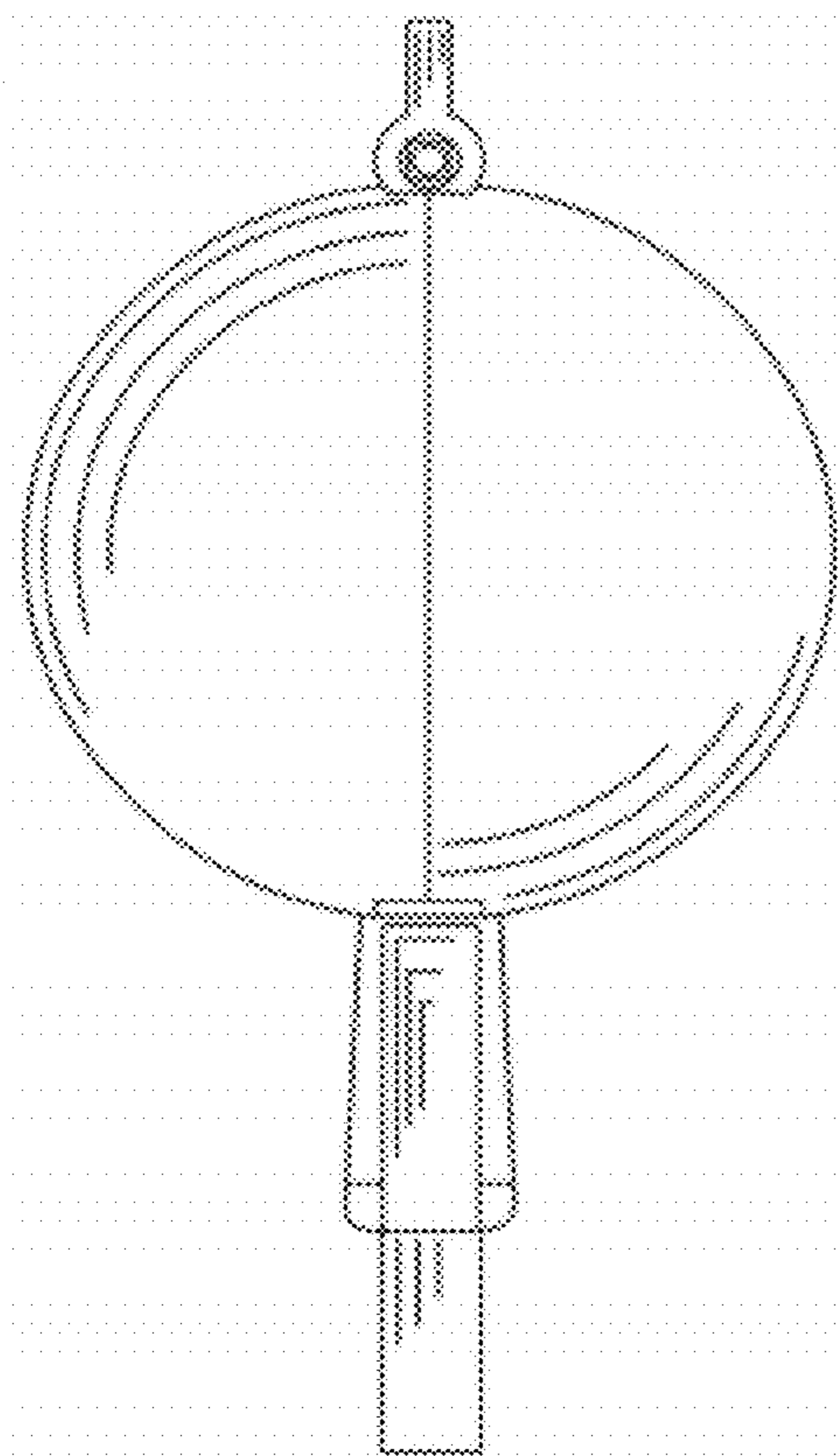


FIG. 3

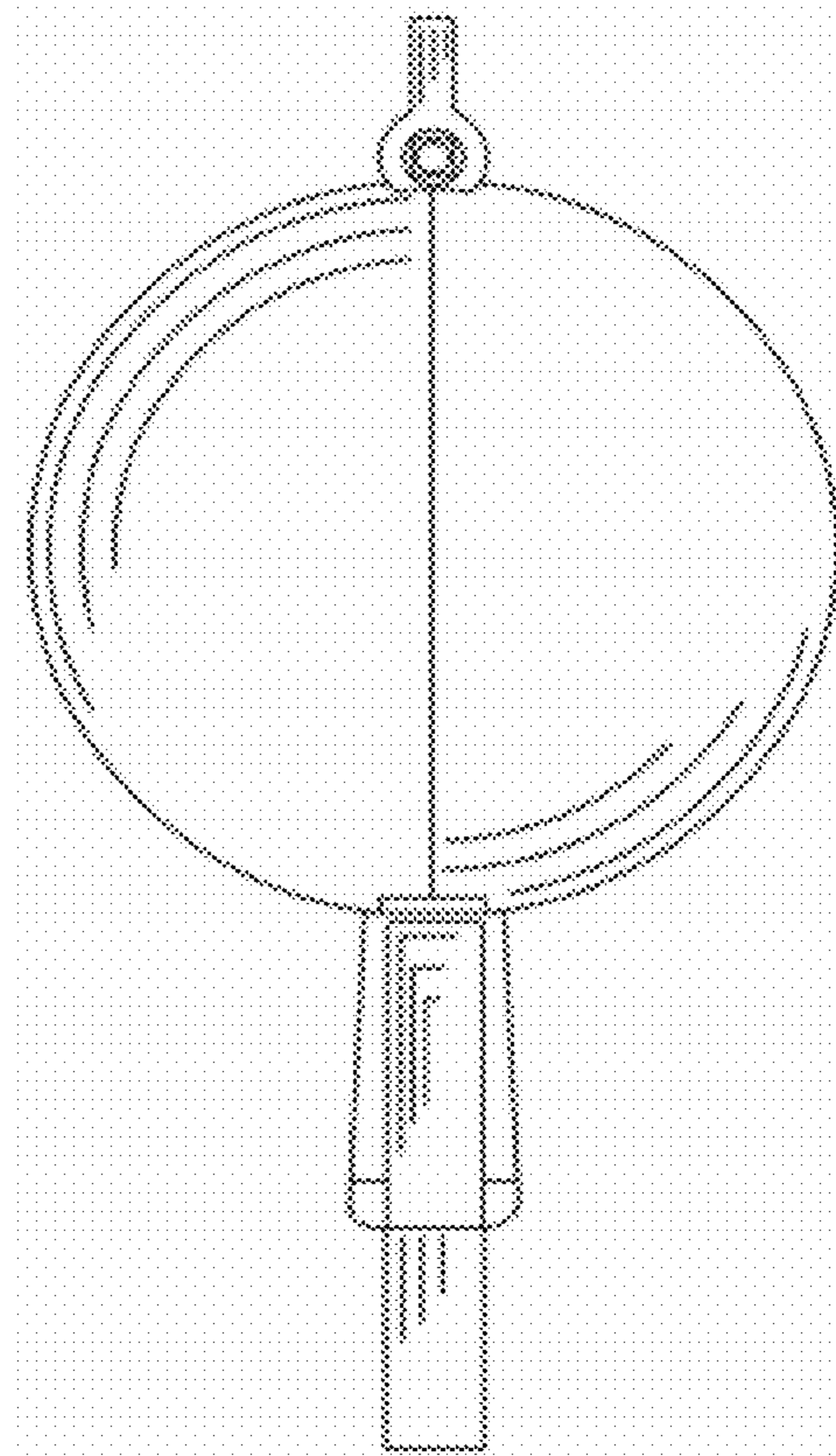


FIG. 4

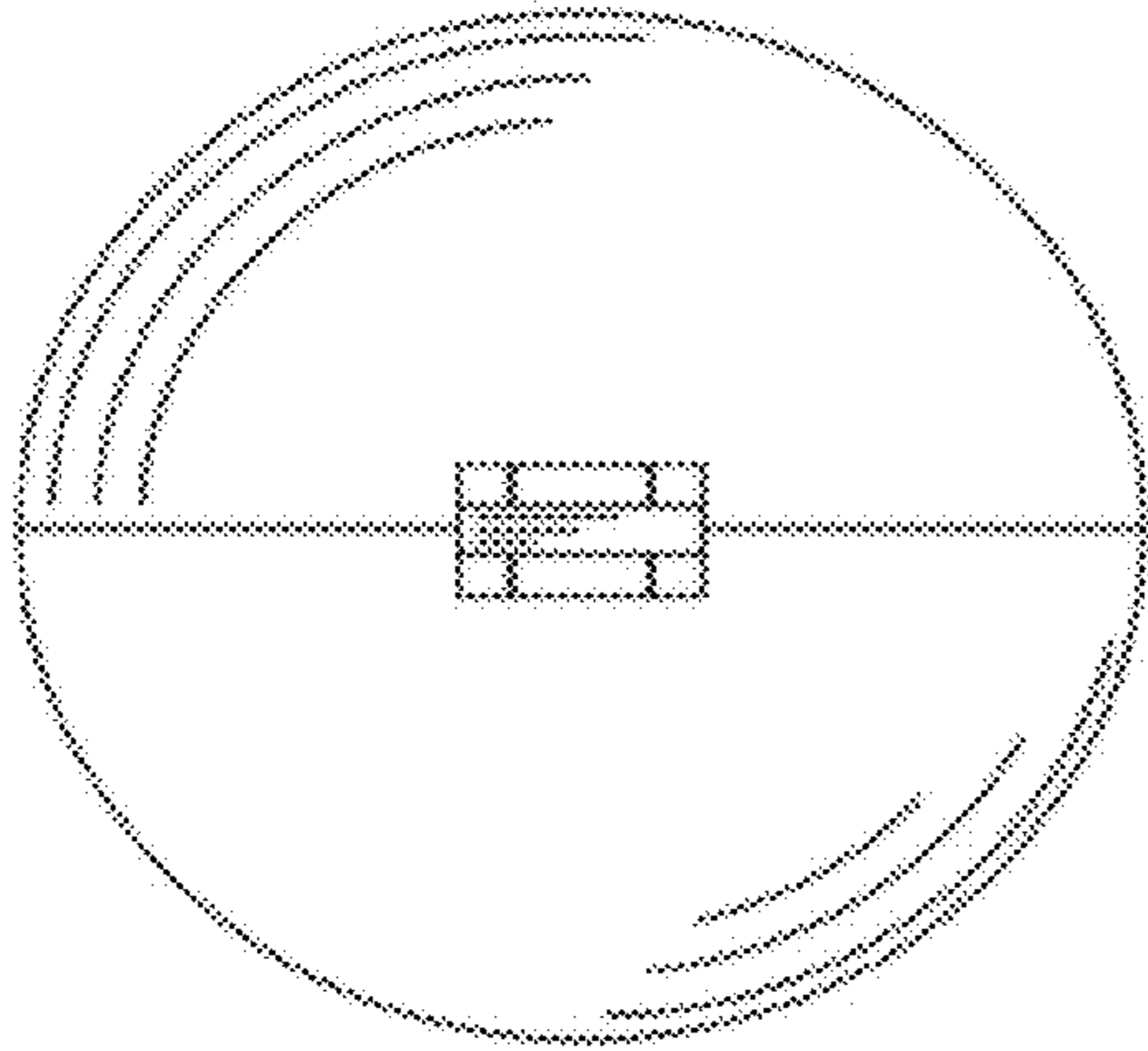


FIG. 5

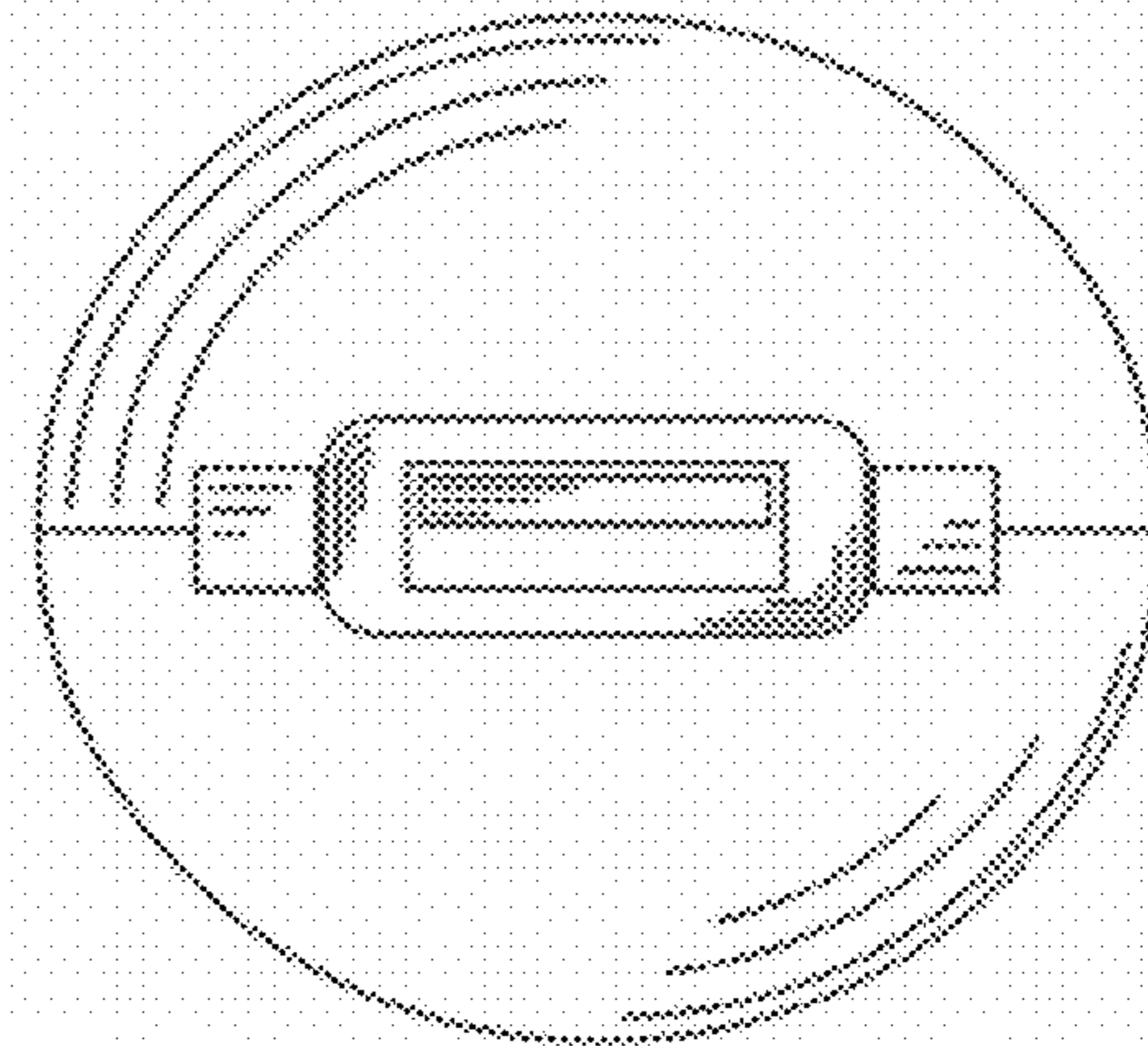


FIG. 6

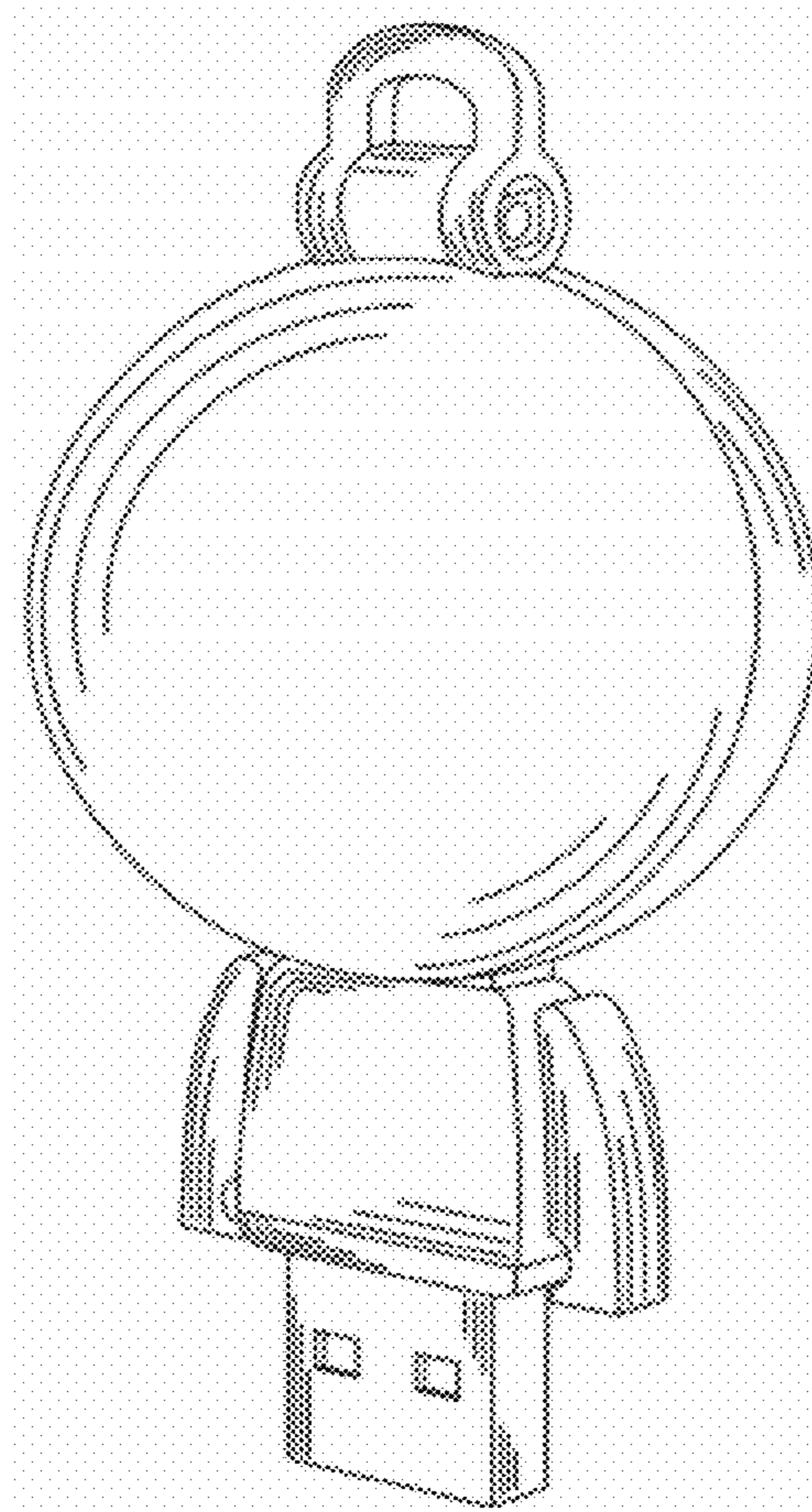


FIG. 7

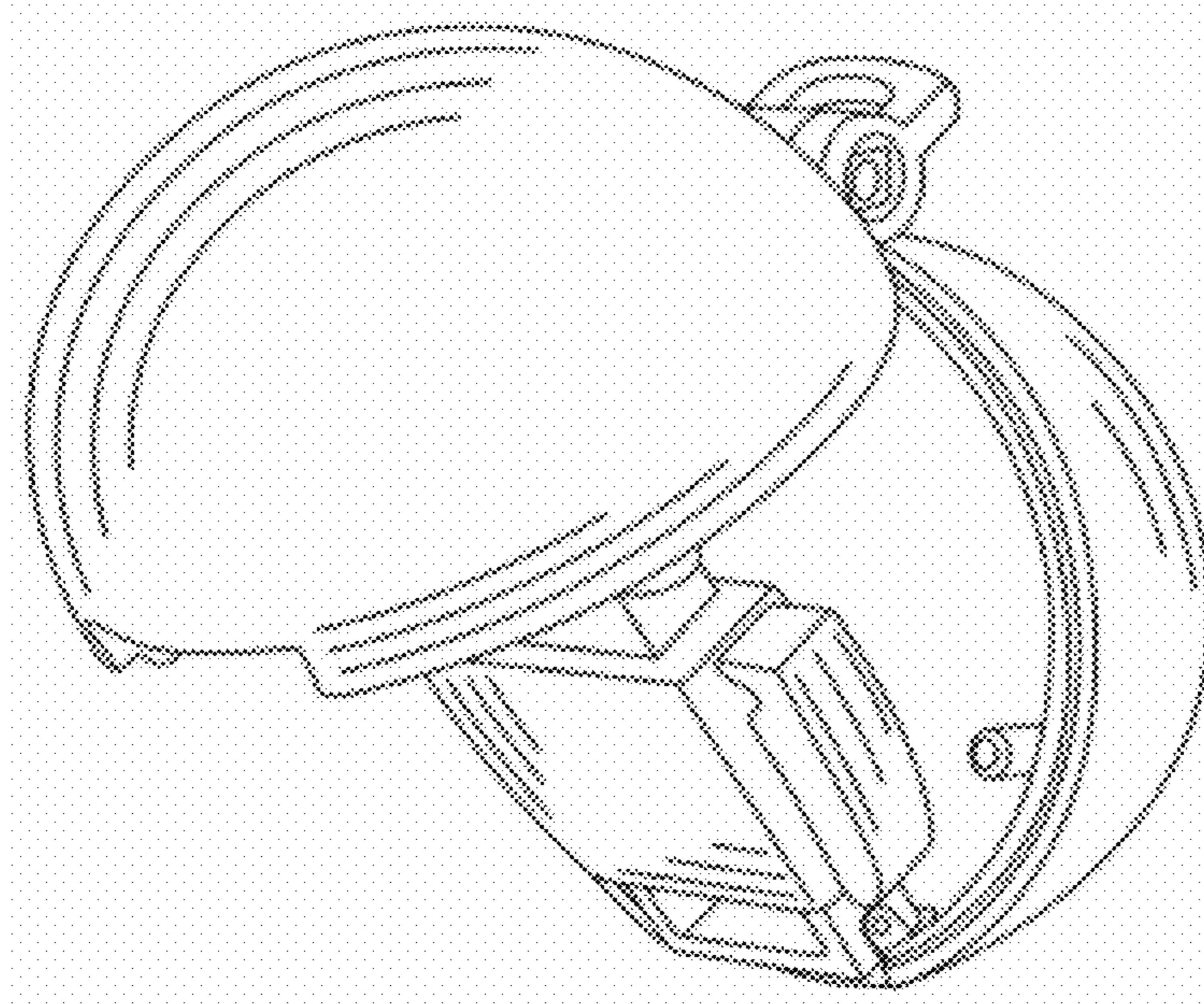


FIG. 8

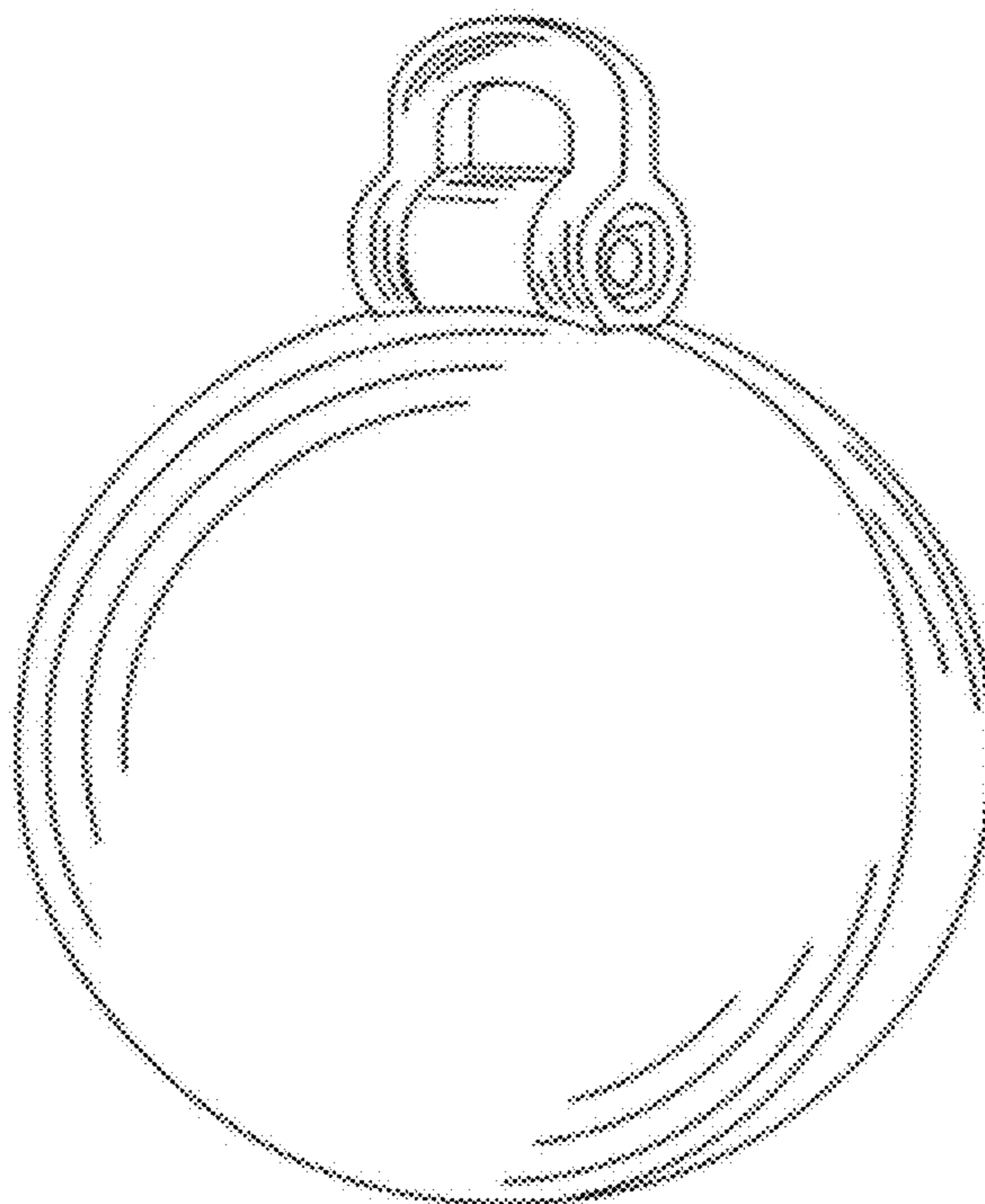


FIG. 9