



US00D657364S

(12) **United States Design Patent**
Norman

(10) **Patent No.:** **US D657,364 S**
(45) **Date of Patent:** **** Apr. 10, 2012**

(54) **VIDEO MONITOR INTERFACE**

(75) Inventor: **Russell Norman**, Caledon (CA)

(73) Assignee: **Flatscreen Arms of North America, Inc.**, Tottenham (CA)

(**) Term: **14 Years**

(21) Appl. No.: **29/363,442**

(22) Filed: **Jun. 9, 2010**

(30) **Foreign Application Priority Data**

Apr. 15, 2010 (CA) 135051

(51) **LOC (9) Cl.** **14-02**

(52) **U.S. Cl.** **D14/451**

(58) **Field of Classification Search** D14/452,
D14/451, 448, 447, 239; D8/349, 363, 373,
D8/380; 248/917-924, 122.1, 124.1, 125.8,
248/371, 393, 157, 425, 176.1, 186.1; 361/679.02,
361/679.04, 679.05, 679.06, 679.07, 679.21,
361/679.22

See application file for complete search history.

(56) **References Cited**

U.S. PATENT DOCUMENTS

D376,590 S * 12/1996 Kao et al. D14/452
D391,937 S * 3/1998 Rosen D14/452
D406,228 S * 3/1999 Vogels D8/363
D407,713 S * 4/1999 Brunner D14/451
D430,166 S * 8/2000 Takagi D14/452
D454,136 S * 3/2002 Deuschle D14/447

D468,747 S * 1/2003 Kwon D14/451
D494,595 S * 8/2004 Lin et al. D14/451
D573,555 S * 7/2008 Rein D14/125
D573,558 S * 7/2008 Rein D14/125
D589,036 S * 3/2009 Unsworth D14/239
D637,602 S * 5/2011 Brechbuhler D14/451
2002/0020789 A1 * 2/2002 Li 248/175

OTHER PUBLICATIONS

“Browsing This” web page, Aug. 12, 2009, Main news.
“VESA Mount Adaptor Kit” web page. (Believed to have been offered for sale, publicly used, and/or published prior to the filing date of this application.)

* cited by examiner

Primary Examiner — Angela J Lee

(74) *Attorney, Agent, or Firm* — Gifford, Krass, Sprinkle, Anderson & Citkowski, P.C.

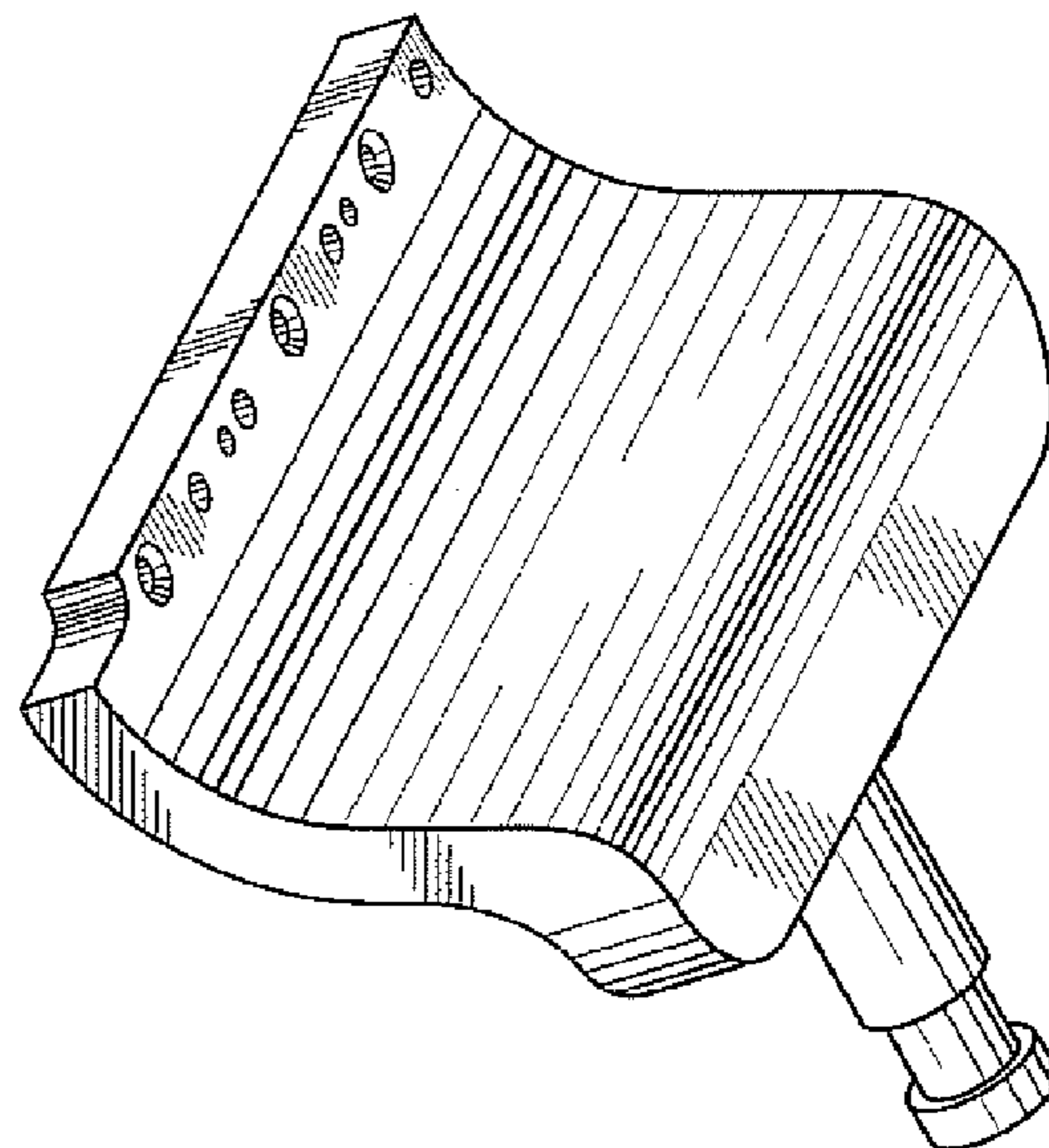
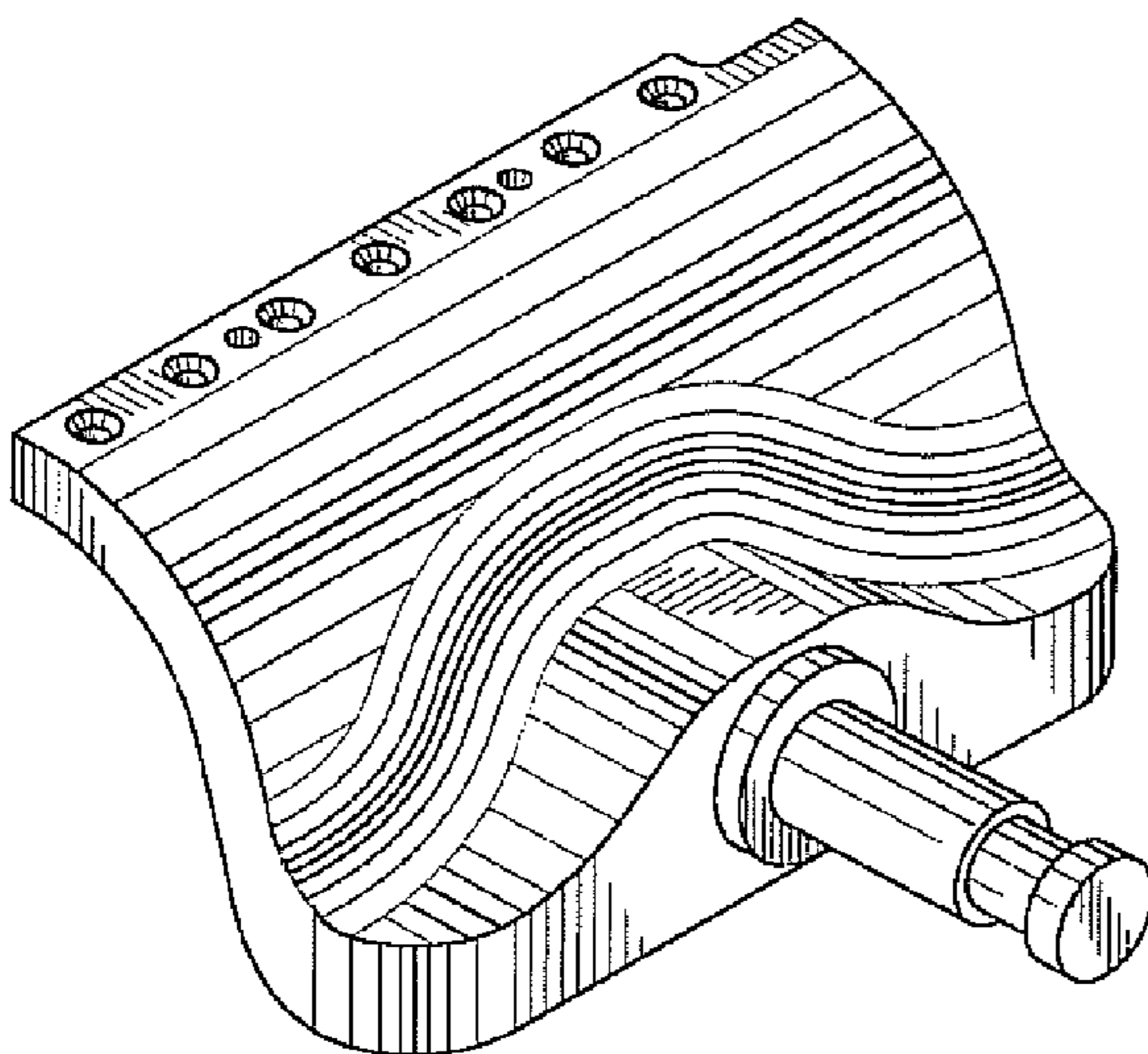
(57) **CLAIM**

The ornamental design for a video monitor interface, as shown and described.

DESCRIPTION

FIG. 1 is a top, rear, left side perspective view of a video monitor interface of my new design;
FIG. 2 is a bottom, front, right side perspective view thereof;
FIG. 3 is a top view thereof;
FIG. 4 is a bottom view thereof;
FIG. 5 is a rear view thereof;
FIG. 6 is a front view thereof;
FIG. 7 is a right side view thereof; and,
FIG. 8 is a left side view thereof.

1 Claim, 4 Drawing Sheets



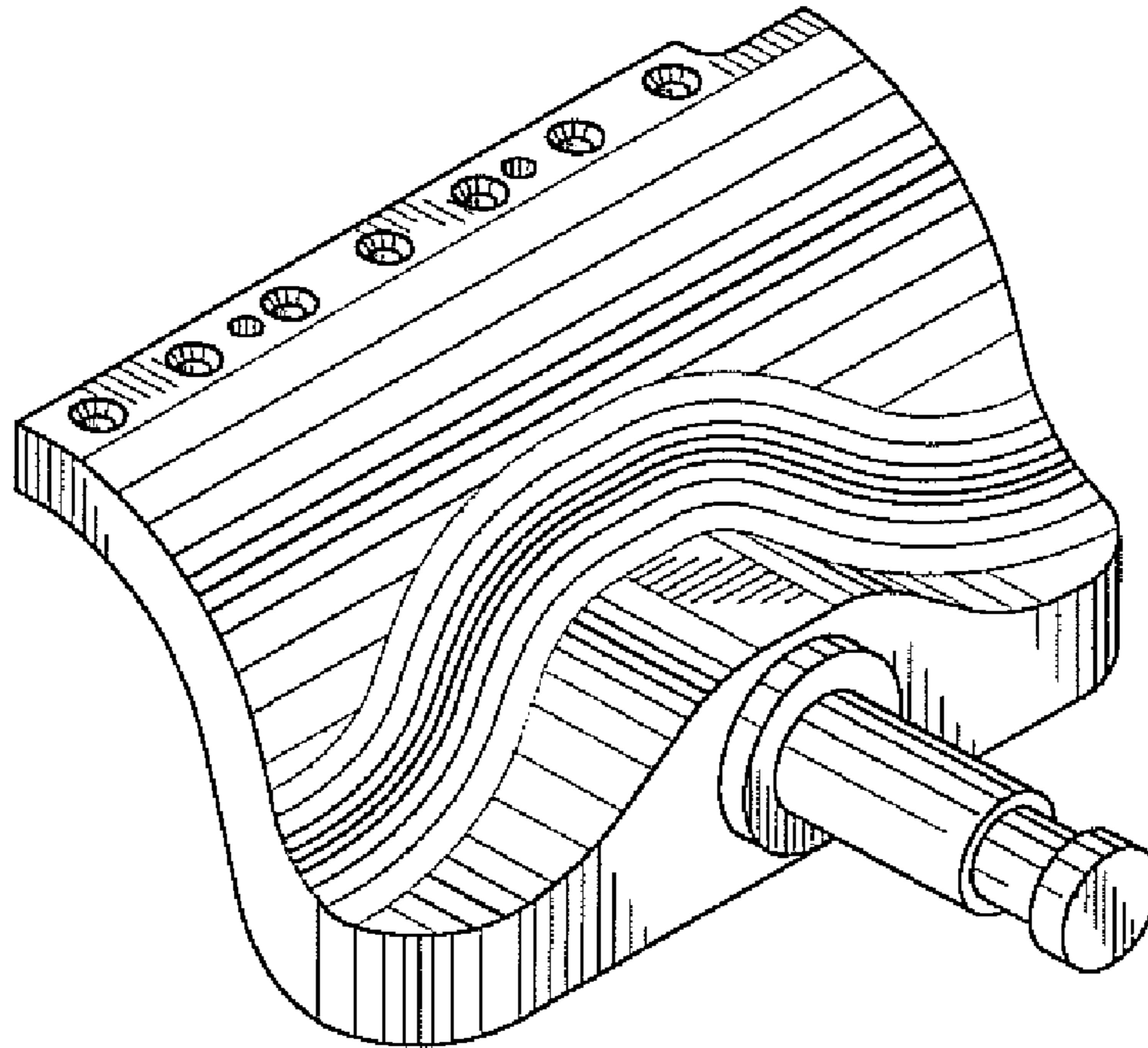


FIG. 1

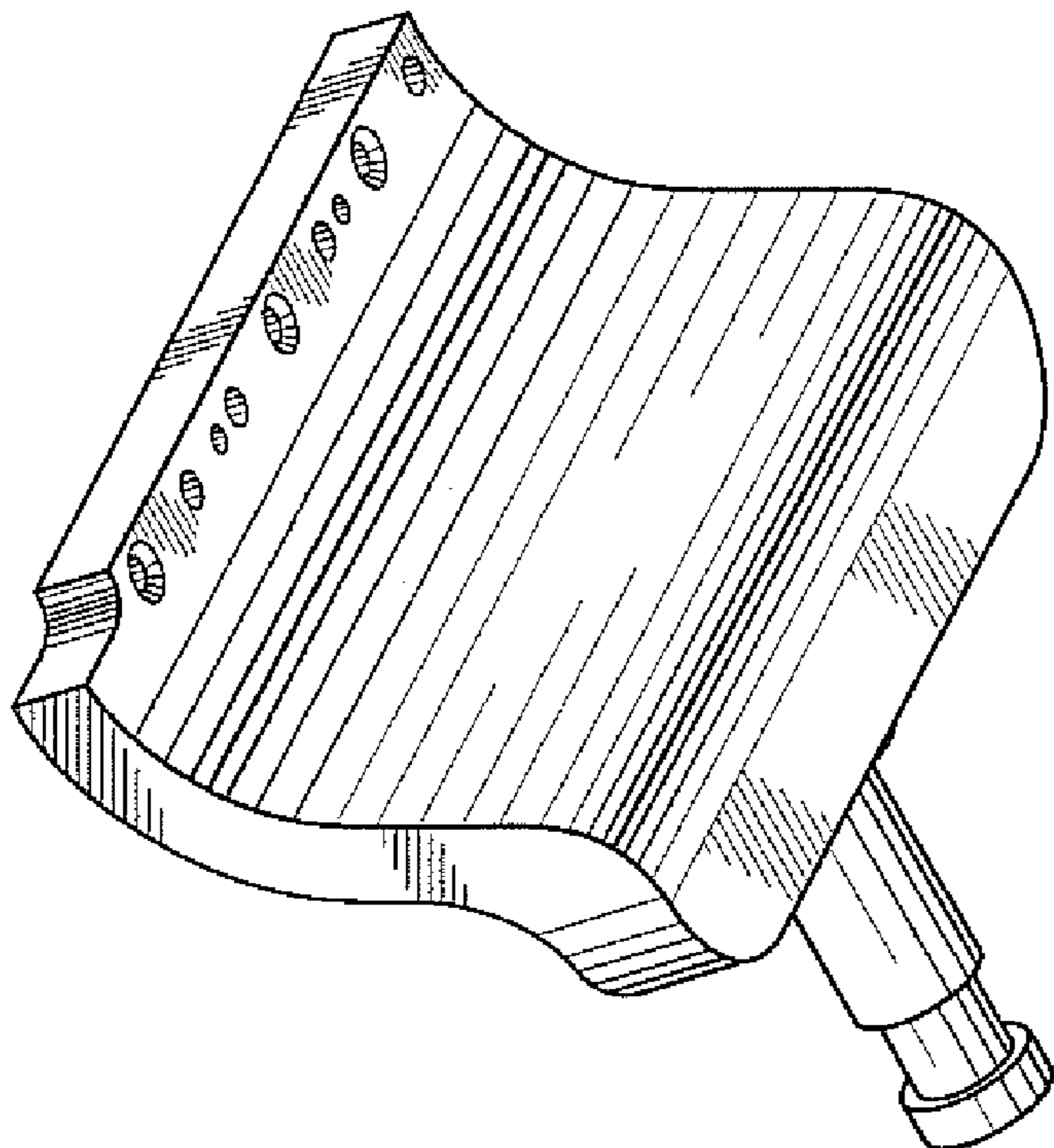


FIG. 2

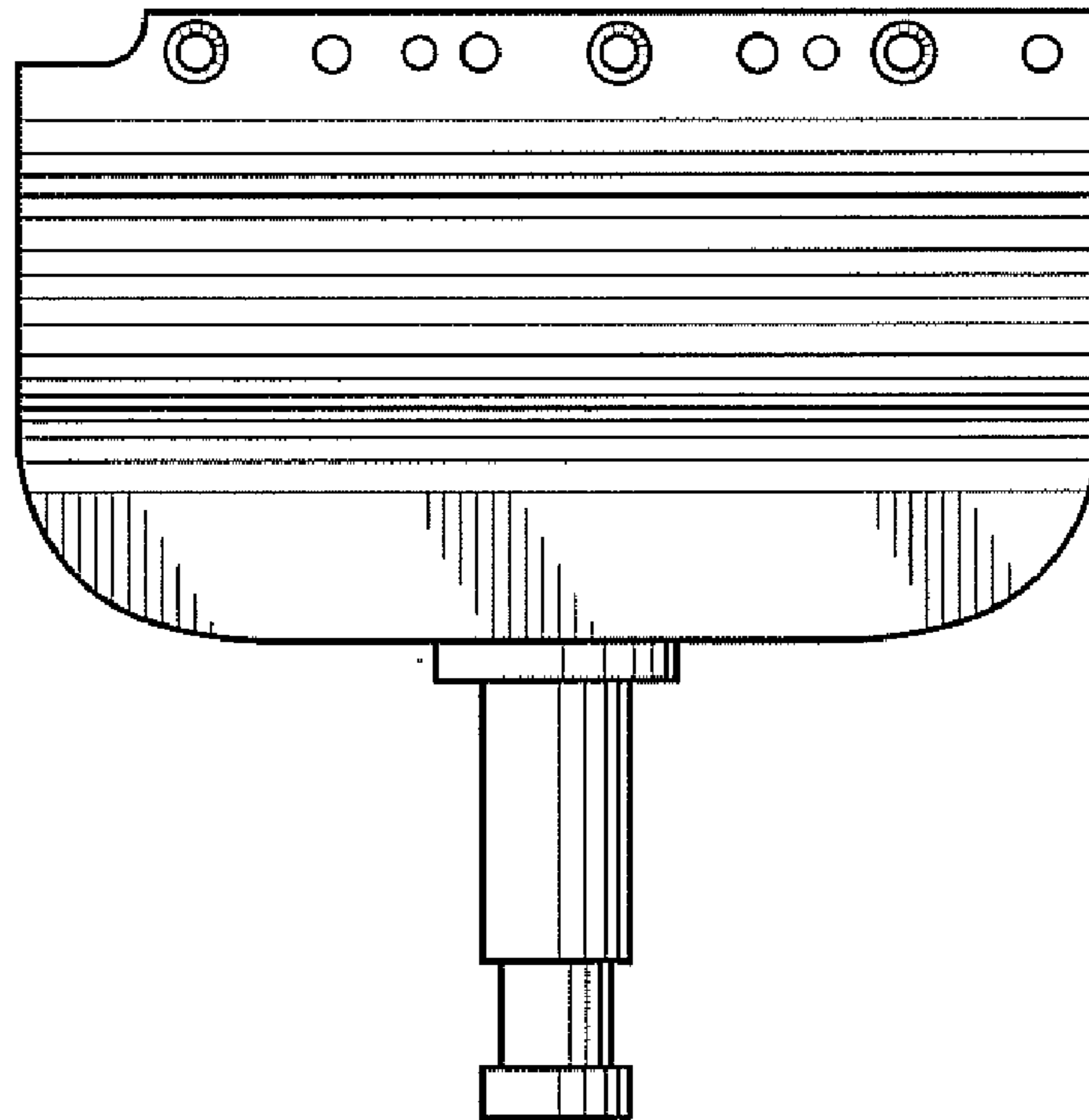


FIG. 3

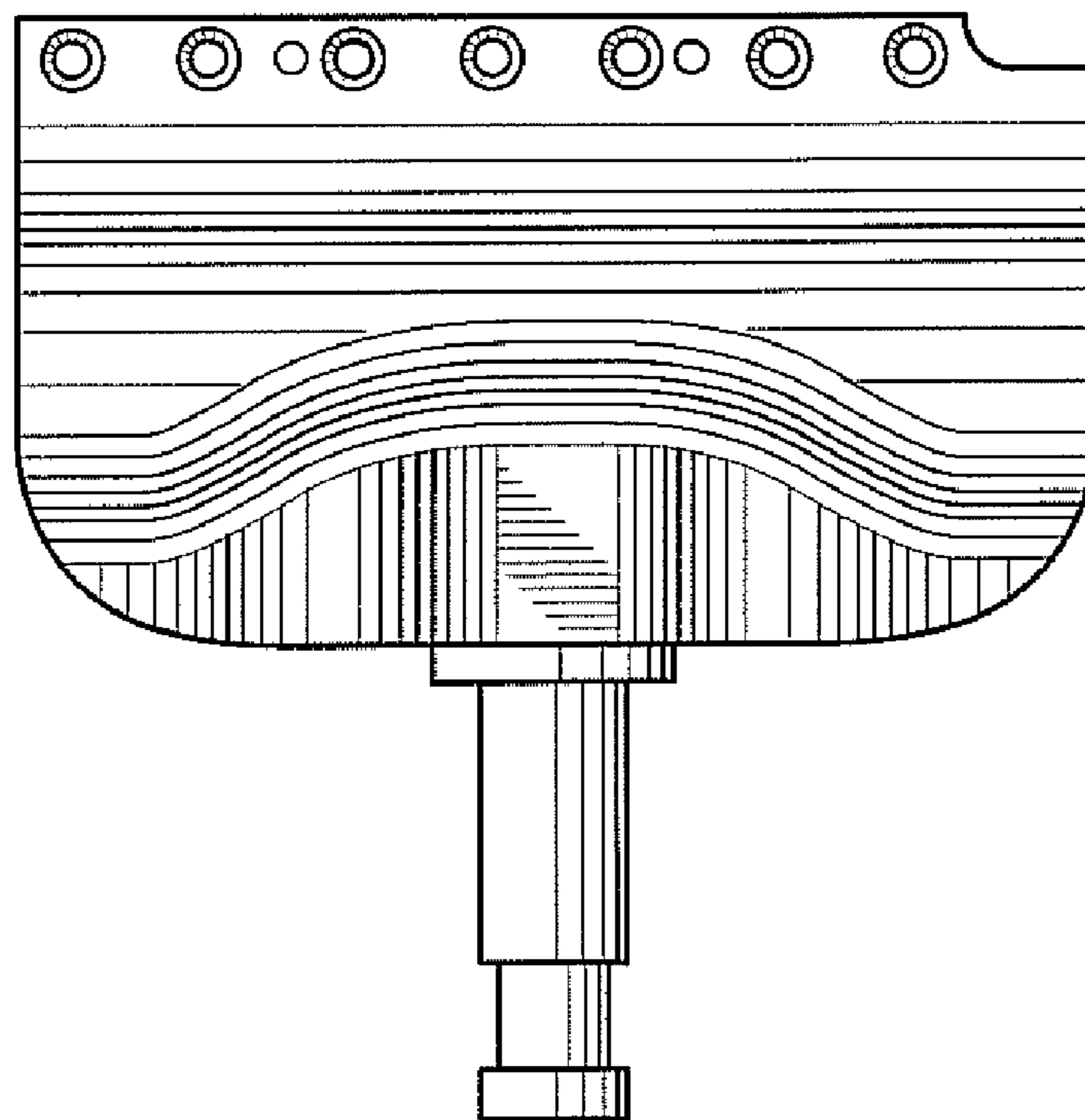


FIG. 4

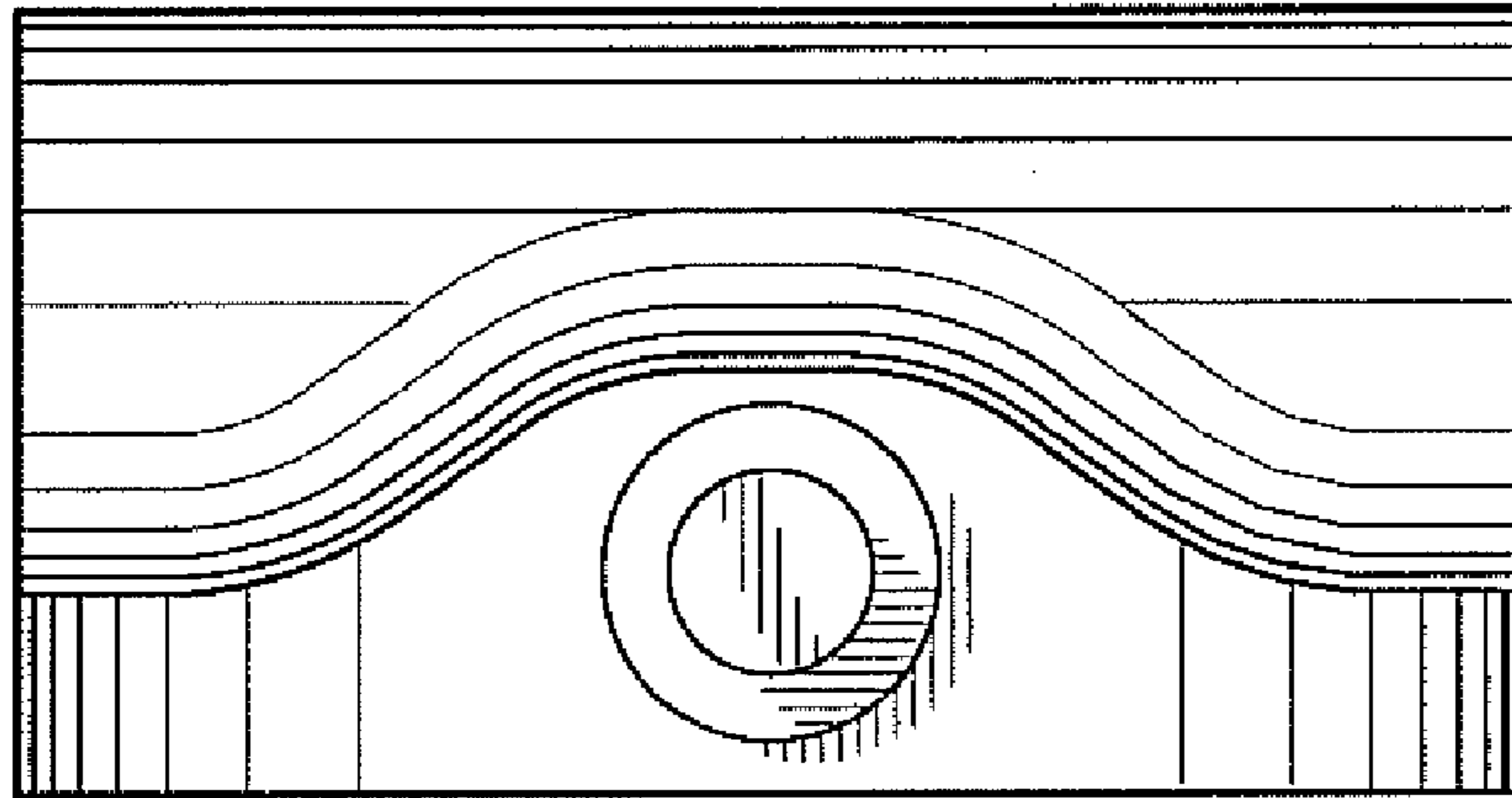


FIG. 5

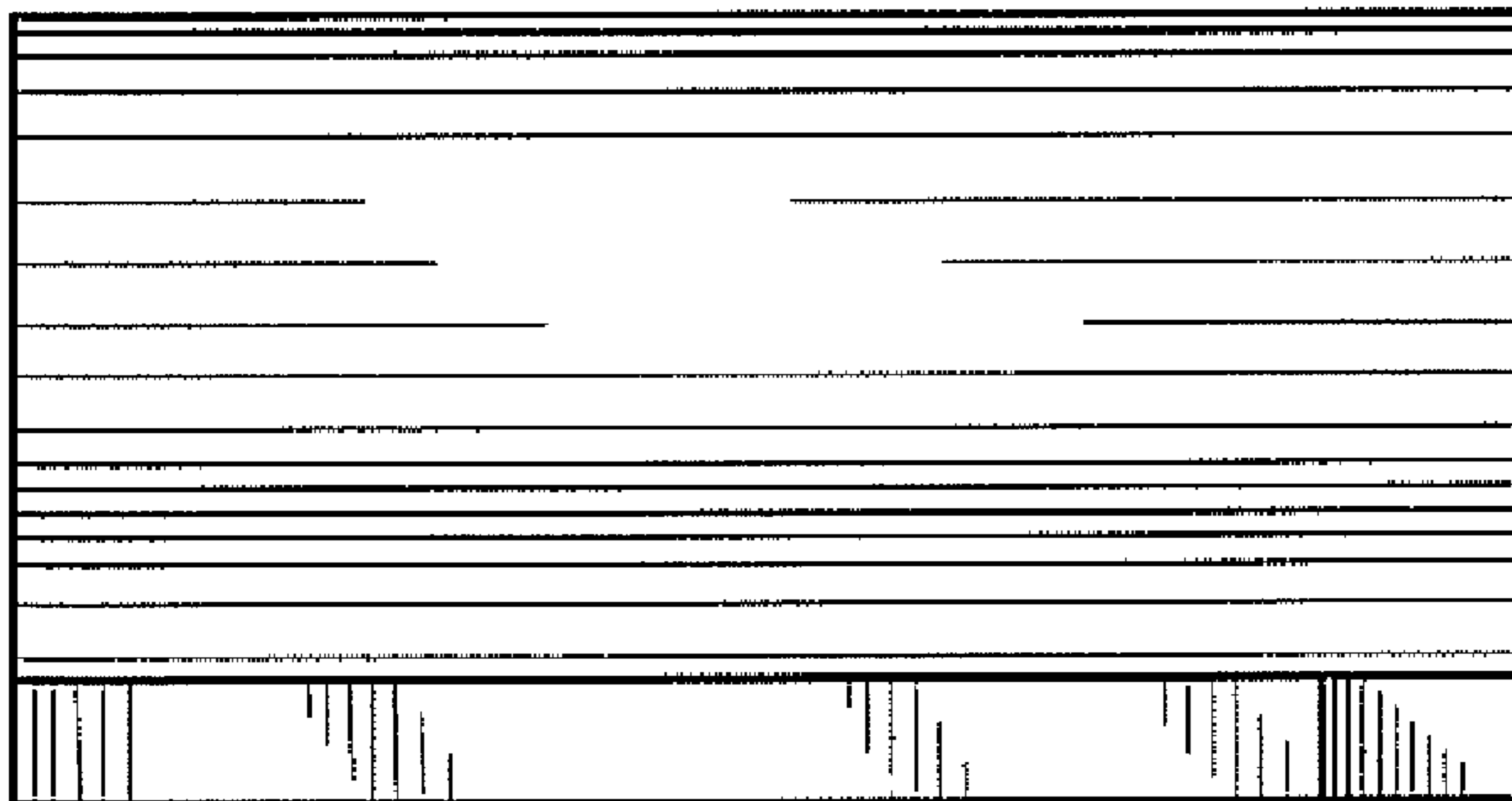


FIG. 6

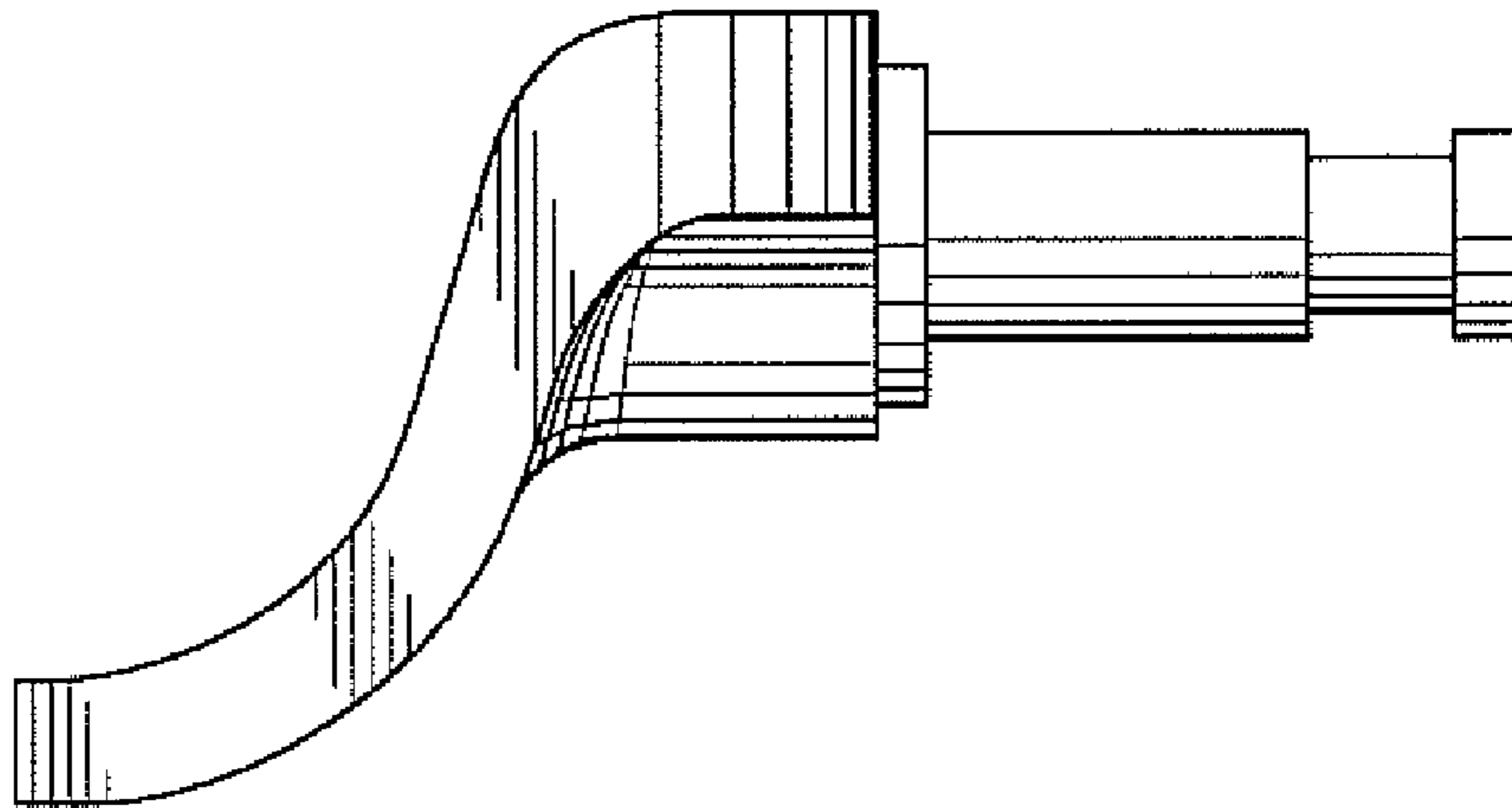


FIG. 7

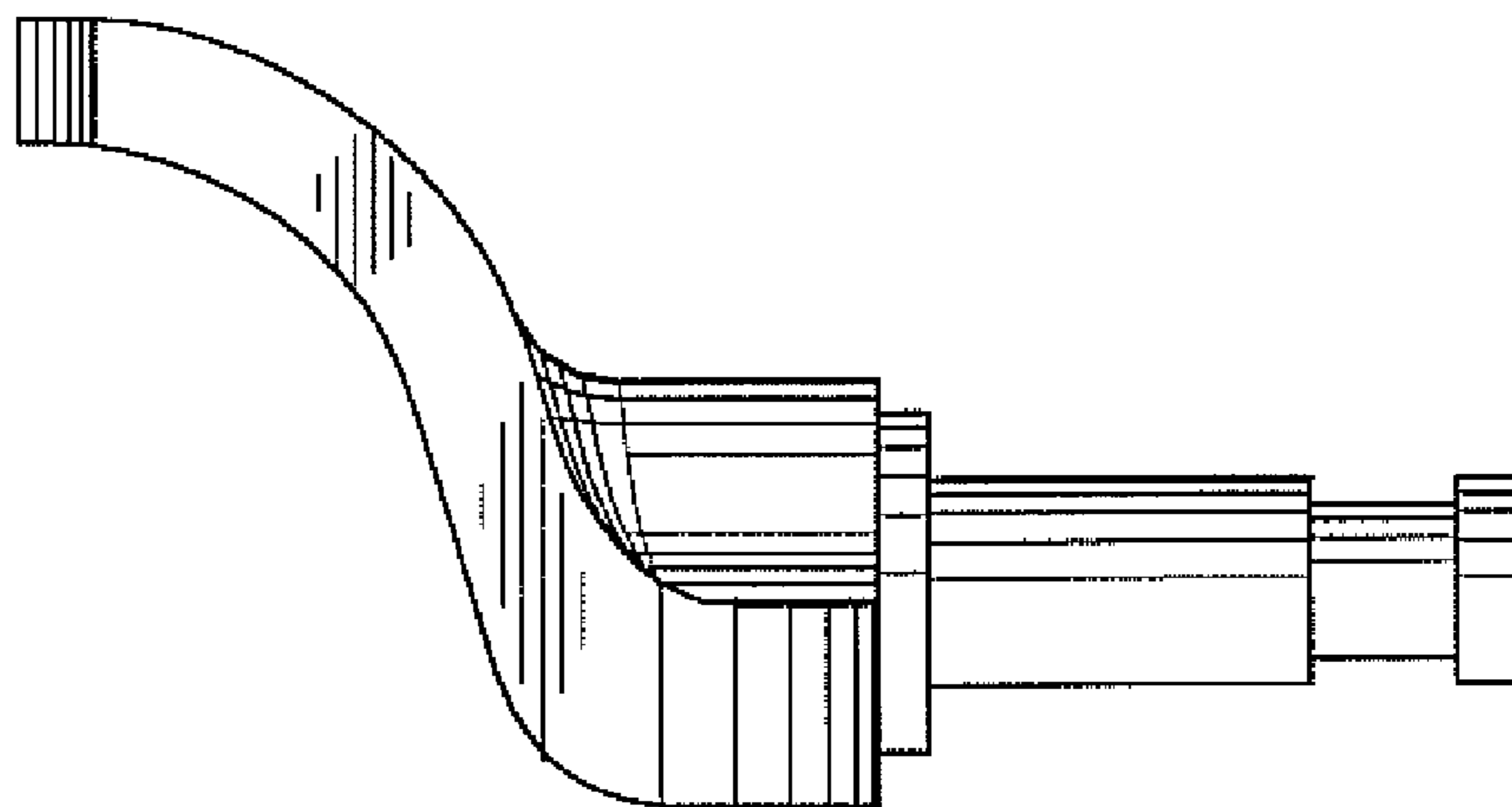


FIG. 8