



US00D657361S

(12) **United States Design Patent**
Goodwin et al.

(10) **Patent No.:** **US D657,361 S**
(45) **Date of Patent:** **** Apr. 10, 2012**

(54) **HOUSING FOR AN ELECTRONIC DEVICE**

(75) Inventors: **Kevin M. Goodwin**, Kirkland, WA (US);
James M. Gilmore, Bothell, WA (US);
Arthur T. Lounsbery, Woodinville, WA (US)

(73) Assignee: **Sonosite, Inc.**, Bothell, WA (US)

(**) Term: **14 Years**

(21) Appl. No.: **29/388,261**

(22) Filed: **Mar. 25, 2011**

(51) **LOC (9) Cl.** **14-02**

(52) **U.S. Cl.** **D14/434**

(58) **Field of Classification Search** D14/432-434,
D14/314, 204, 420, 421, 447, 217, 358, 371,
D14/341; D13/107, 108, 146; D8/373; 248/346.03,
248/176.1; 361/679.41, 679.31, 679.32,
361/679.4, 679.43, 679.55, 679.33; 320/109,
320/112-115; 710/15, 303; 455/557; D24/107,
D24/127, 128, 177, 185, 186; 600/481, 483,
600/485, 437, 440; 607/5

See application file for complete search history.

(56) **References Cited**

U.S. PATENT DOCUMENTS

5,623,926 A * 4/1997 Weiss 600/509
D459,814 S * 7/2002 Lee et al. D24/186
6,456,492 B1 * 9/2002 Wang et al. 361/679.4
6,475,146 B1 11/2002 Frelburger et al.
7,024,367 B2 * 4/2006 Amano et al. 704/272
7,115,093 B2 10/2006 Halmann et al.
D590,509 S * 4/2009 Costa D24/186

7,549,961 B1 6/2009 Hwang
7,834,864 B2 11/2010 Sullivan et al.
7,848,805 B2 * 12/2010 Ochs et al. 607/5
2003/0236102 A1 * 12/2003 Kawai et al. 455/550.1
2006/0122542 A1 * 6/2006 Smith et al. 600/595
2007/0276261 A1 * 11/2007 Banet et al. 600/481
2009/0270727 A1 * 10/2009 Zhao et al. 600/437
2010/0116560 A1 * 5/2010 Sato 178/18.01

FOREIGN PATENT DOCUMENTS

WO 2009135255 A1 11/2009

* cited by examiner

Primary Examiner — Freda S Nunn

(74) *Attorney, Agent, or Firm* — Fenwick & West LLP

(57) **CLAIM**

The ornamental design for a housing for an electronic device, as shown and described.

DESCRIPTION

FIG. 1 is a first perspective view of a housing for an electronic device showing our design.

FIG. 2 is a front view thereof.

FIG. 3 is a back view thereof.

FIG. 4 is a right view thereof.

FIG. 5 is a left view thereof.

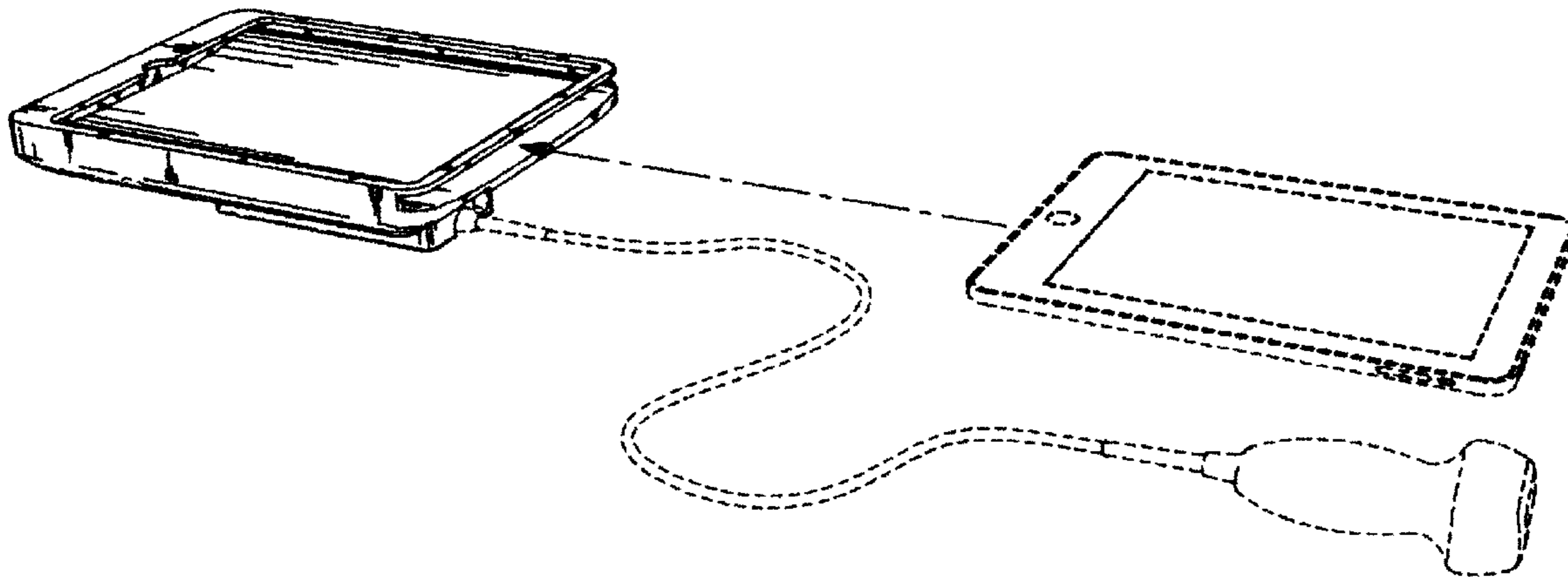
FIG. 6 is a top view thereof.

FIG. 7 is a bottom view thereof; and,

FIG. 8 is a second perspective view thereof.

The broken lines showing the cord, the arrangement of certain features of the device, and the tablet computer are for illustrative purposes only. The broken lines form no part of the claimed design.

1 Claim, 4 Drawing Sheets



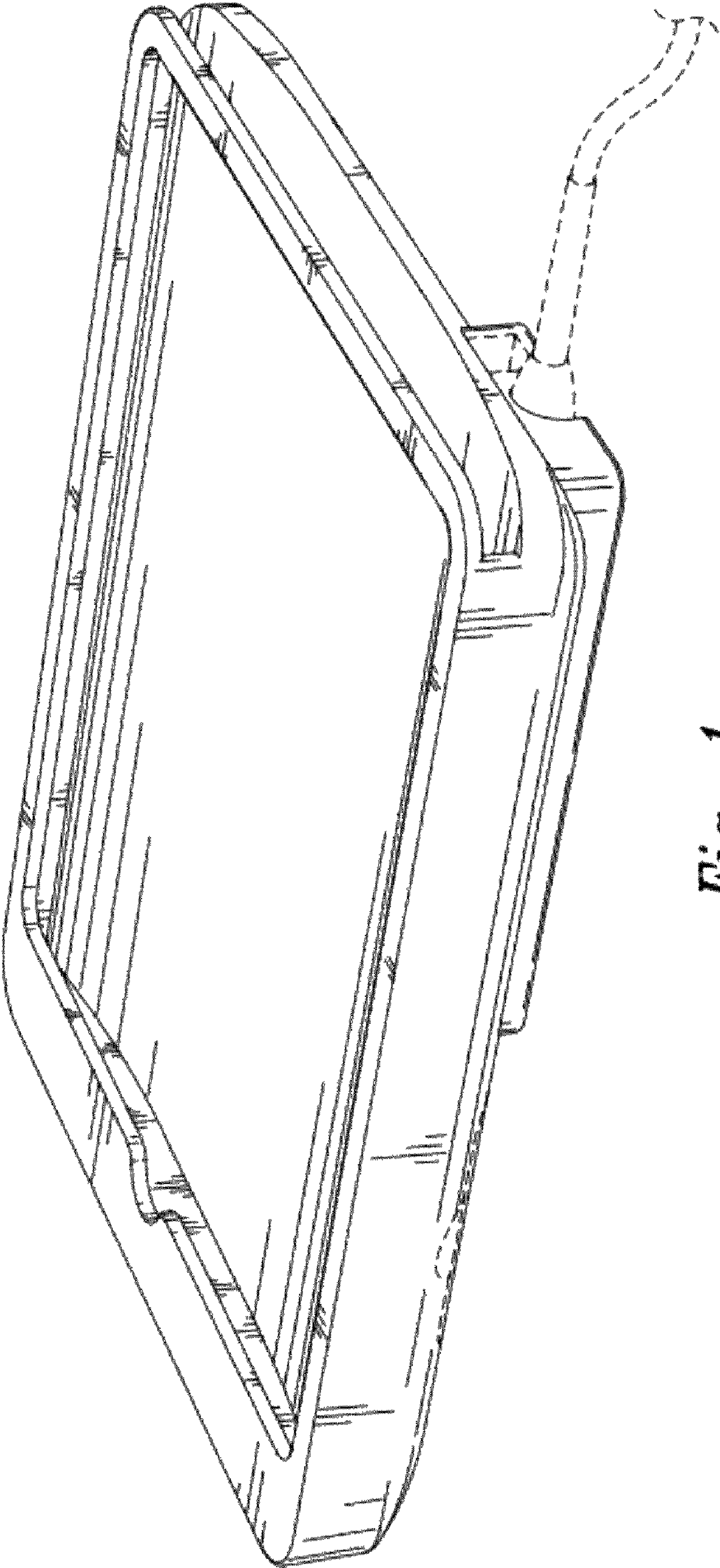


Fig. 1

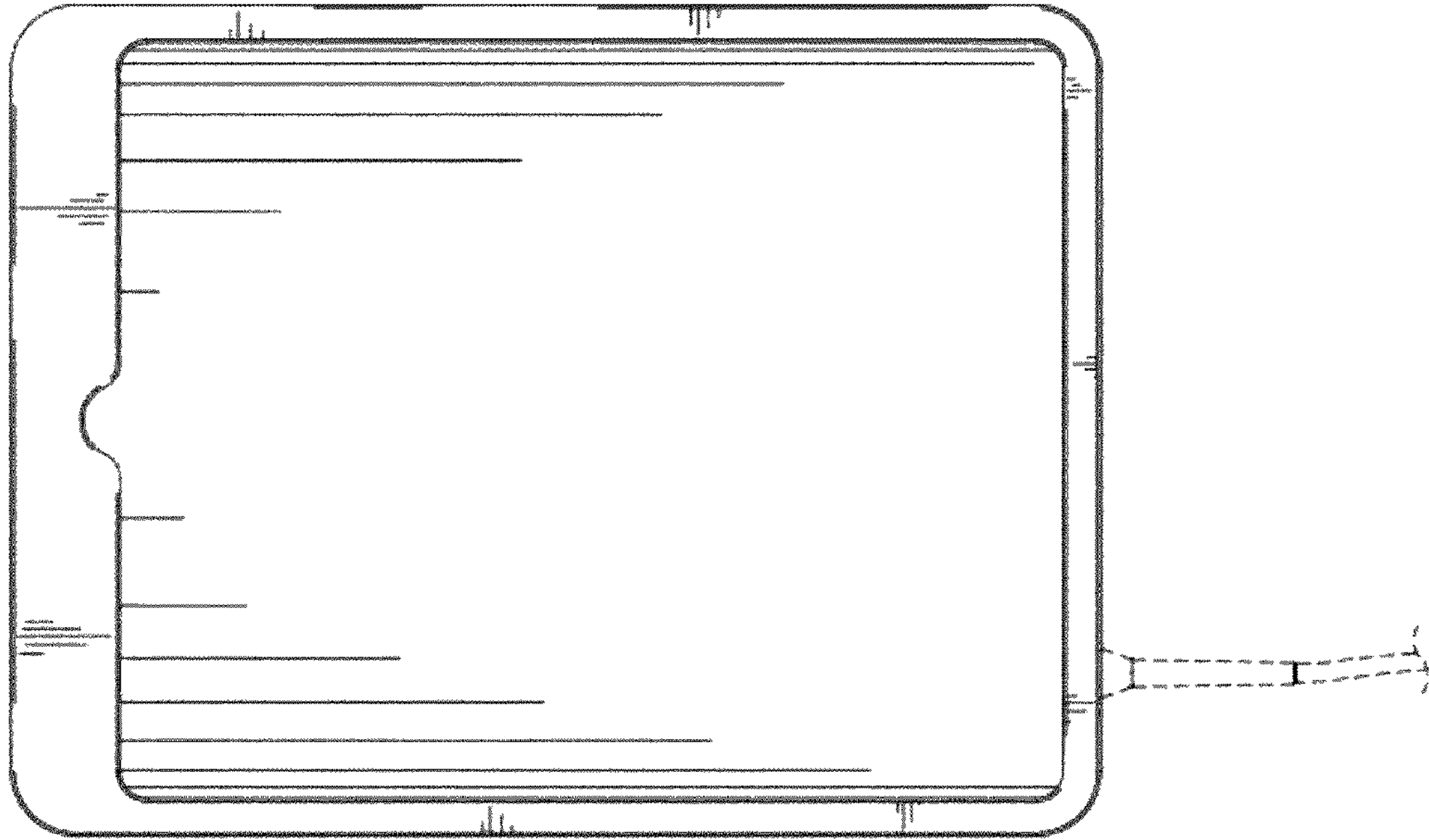


Fig. 2

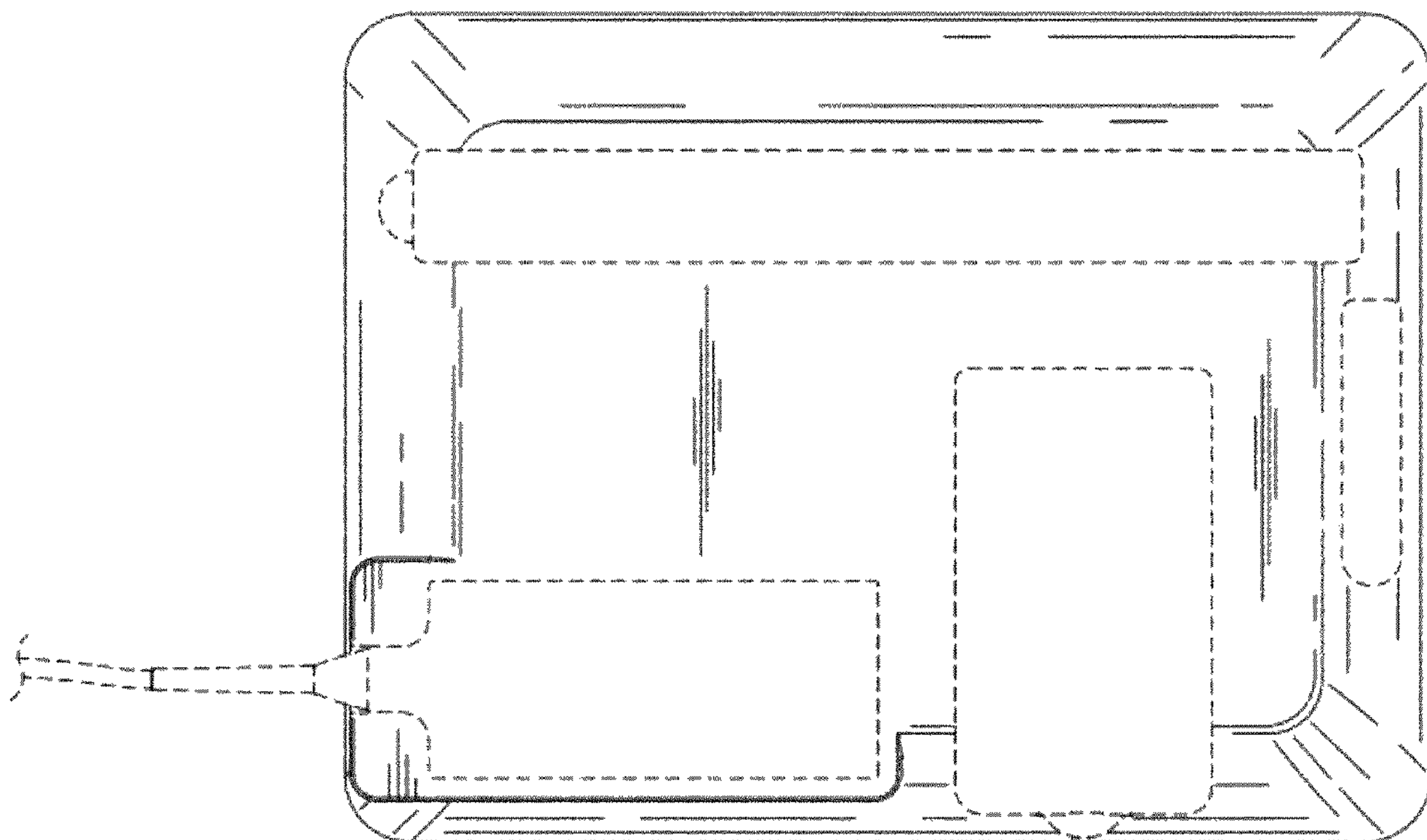


Fig. 3

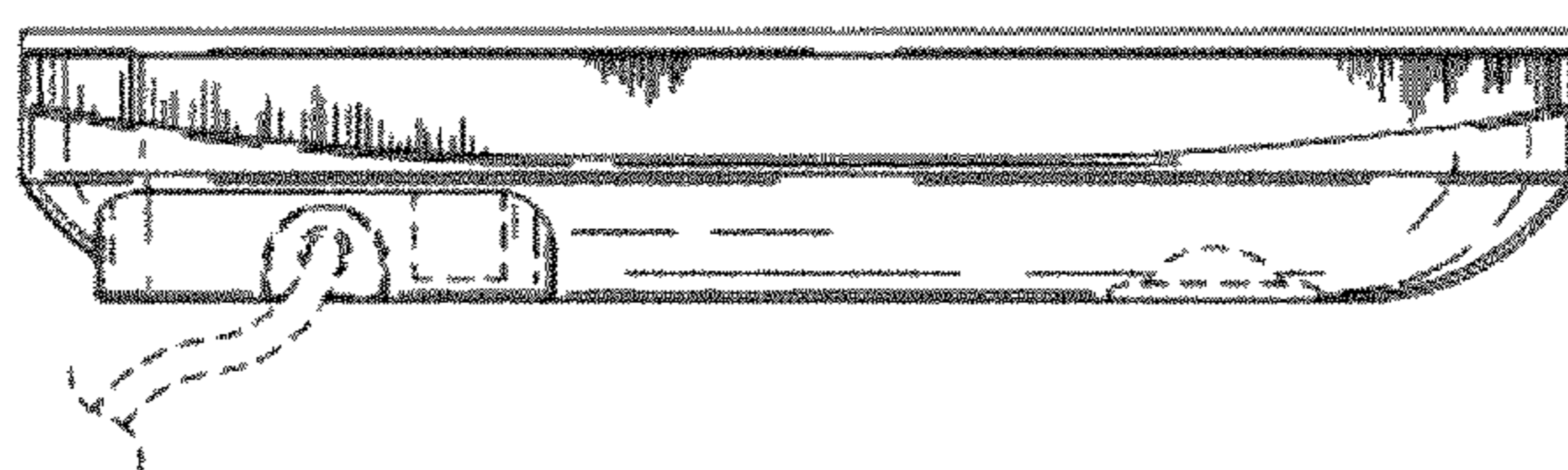


Fig. 4

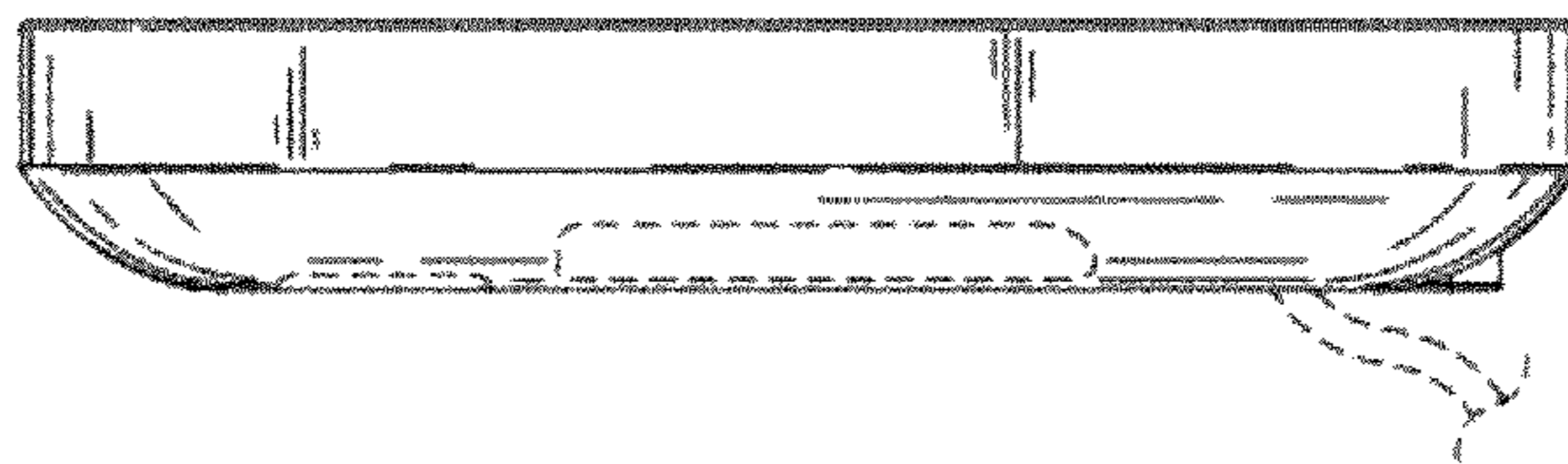


Fig. 5

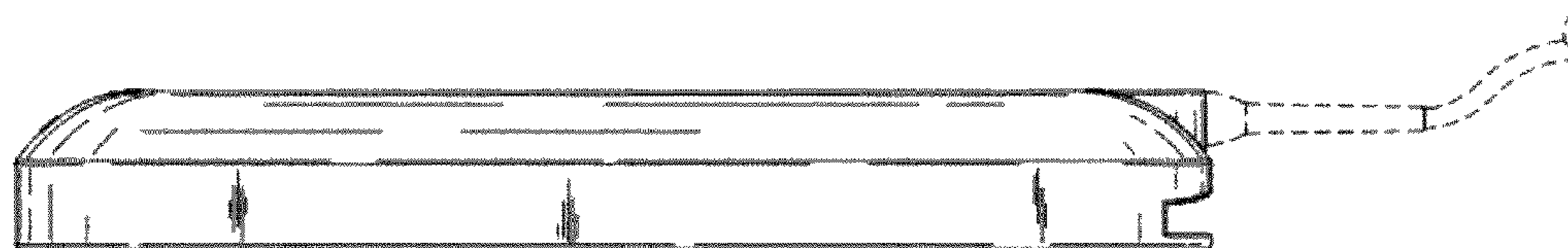


Fig. 6

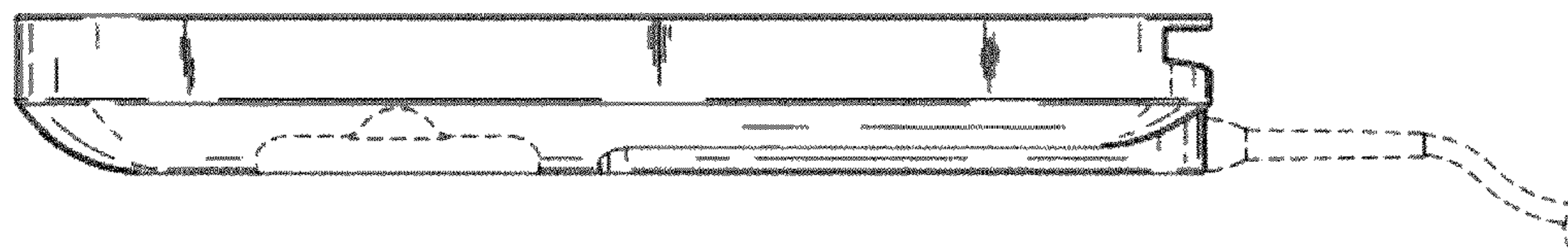


Fig. 7

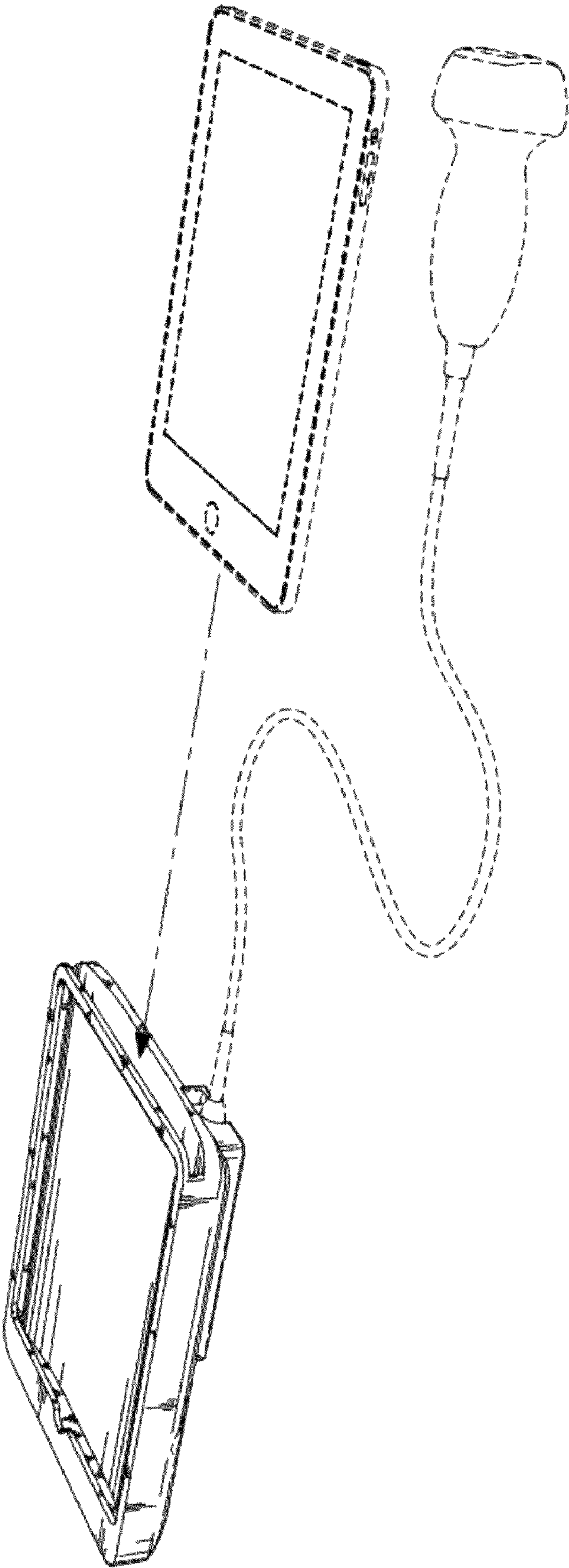


Fig. 8