



US00D657359S

(12) **United States Design Patent**  
**Kujawski et al.**

(10) **Patent No.:** **US D657,359 S**

(45) **Date of Patent:** **\*\* Apr. 10, 2012**

(54) **ELECTRONIC MOUSE**

(75) Inventors: **Christopher Kujawski**, Seattle, WA  
(US); **Katherine Bailey**, Seattle, WA  
(US)

(73) Assignee: **Microsoft Corporation**, Redmond, WA  
(US)

(\*\*) Term: **14 Years**

(21) Appl. No.: **29/404,836**

(22) Filed: **Oct. 26, 2011**

(51) **LOC (9) Cl.** ..... **14-02**

(52) **U.S. Cl.** ..... **D14/402**

(58) **Field of Classification Search** ..... D14/402-411,  
D14/356, 388, 389, 383-385, 417, 426;  
345/156-167; 463/36-38; 358/471, 473;  
273/148 B

See application file for complete search history.

(56) **References Cited**

U.S. PATENT DOCUMENTS

5,157,381	A *	10/1992	Cheng	.....	345/163
6,011,543	A *	1/2000	Tian	.....	345/163
D435,555	S *	12/2000	Swansey	.....	D14/402
D519,507	S *	4/2006	Sheehan et al.	.....	D14/402

D580,938	S *	11/2008	Simonian et al.	.....	D14/402
D581,416	S *	11/2008	Simonian et al.	.....	D14/402
D629,804	S *	12/2010	Hoehn et al.	.....	D14/408
D642,574	S *	8/2011	Kim et al.	.....	D14/410
D642,575	S *	8/2011	Kim et al.	.....	D14/410
D642,576	S *	8/2011	Kim et al.	.....	D14/410

\* cited by examiner

*Primary Examiner* — Austin Murphy

(74) *Attorney, Agent, or Firm* — Banner & Witcoff, Ltd.

(57) **CLAIM**

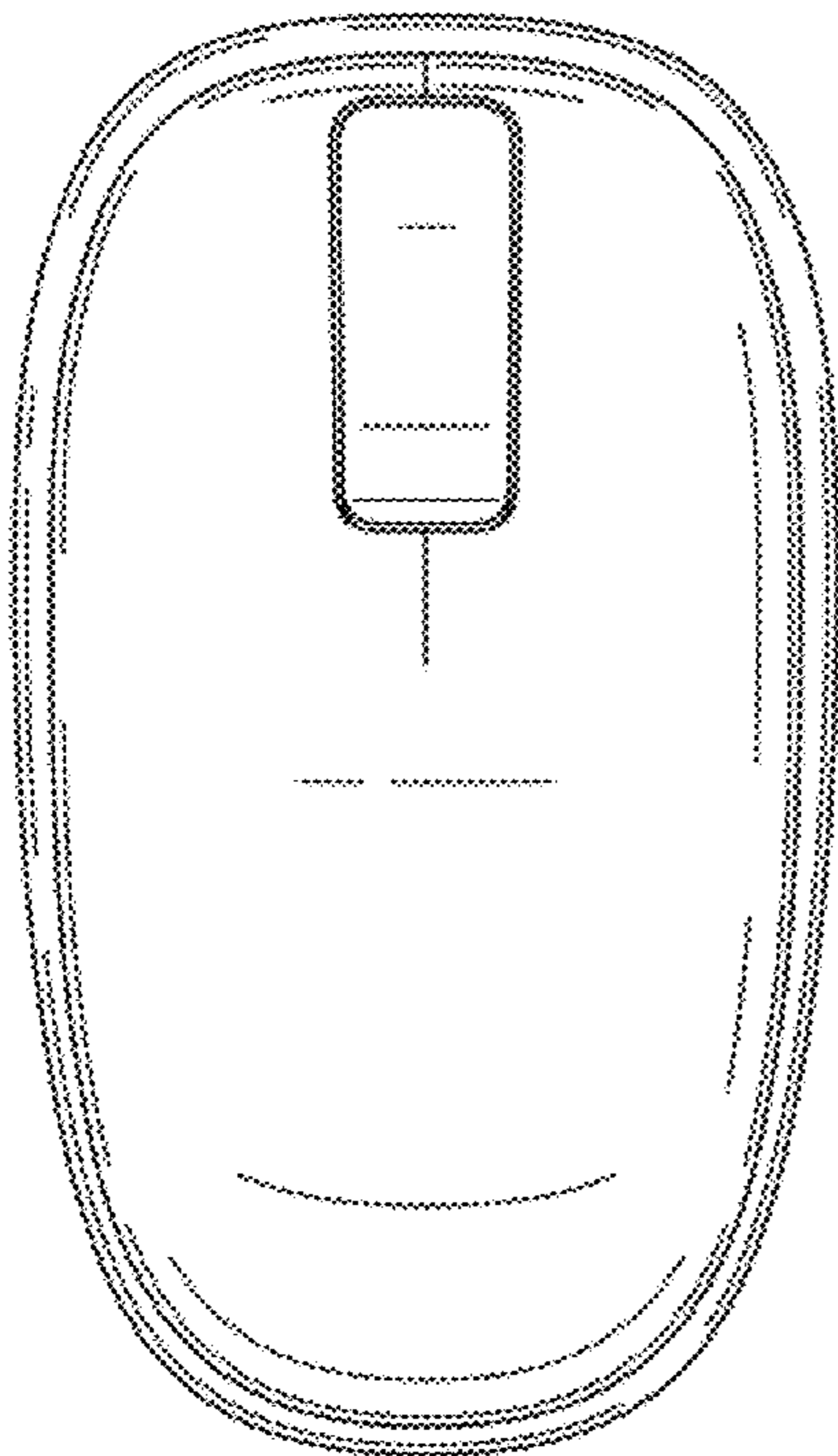
The ornamental design for an electronic mouse, as shown and described.

**DESCRIPTION**

FIG. 1 is a top perspective view of an electronic mouse showing the new design;  
FIG. 2 is a top view thereof;  
FIG. 3 is a left side view thereof;  
FIG. 4 is a right side view thereof;  
FIG. 5 is a rear view thereof;  
FIG. 6 is a front view thereof; and,  
FIG. 7 is a bottom view thereof.

The broken-line showing of the oblong regions is for environmental purposes only and forms no part of the claimed design.

**1 Claim, 5 Drawing Sheets**



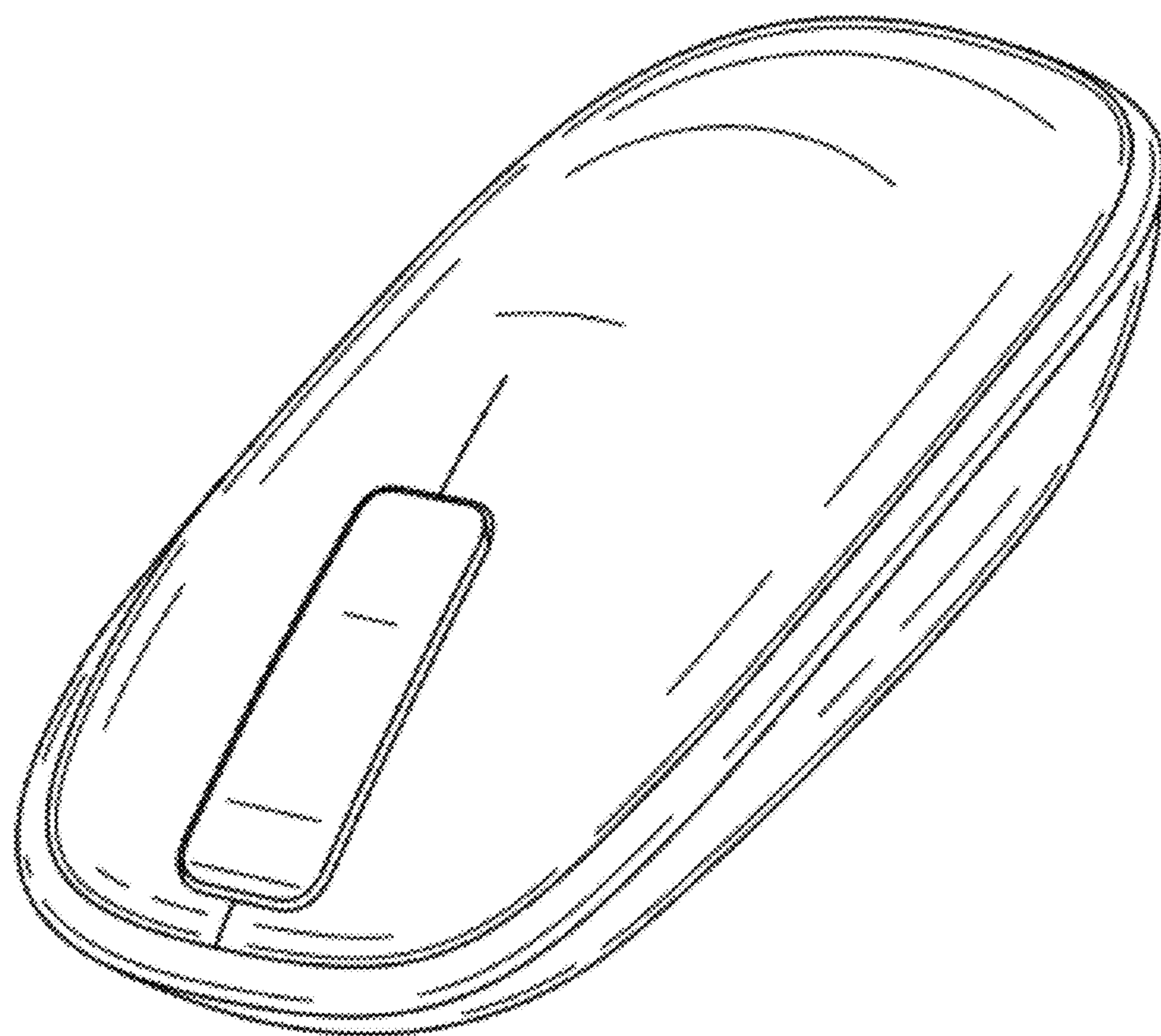


FIG. 1

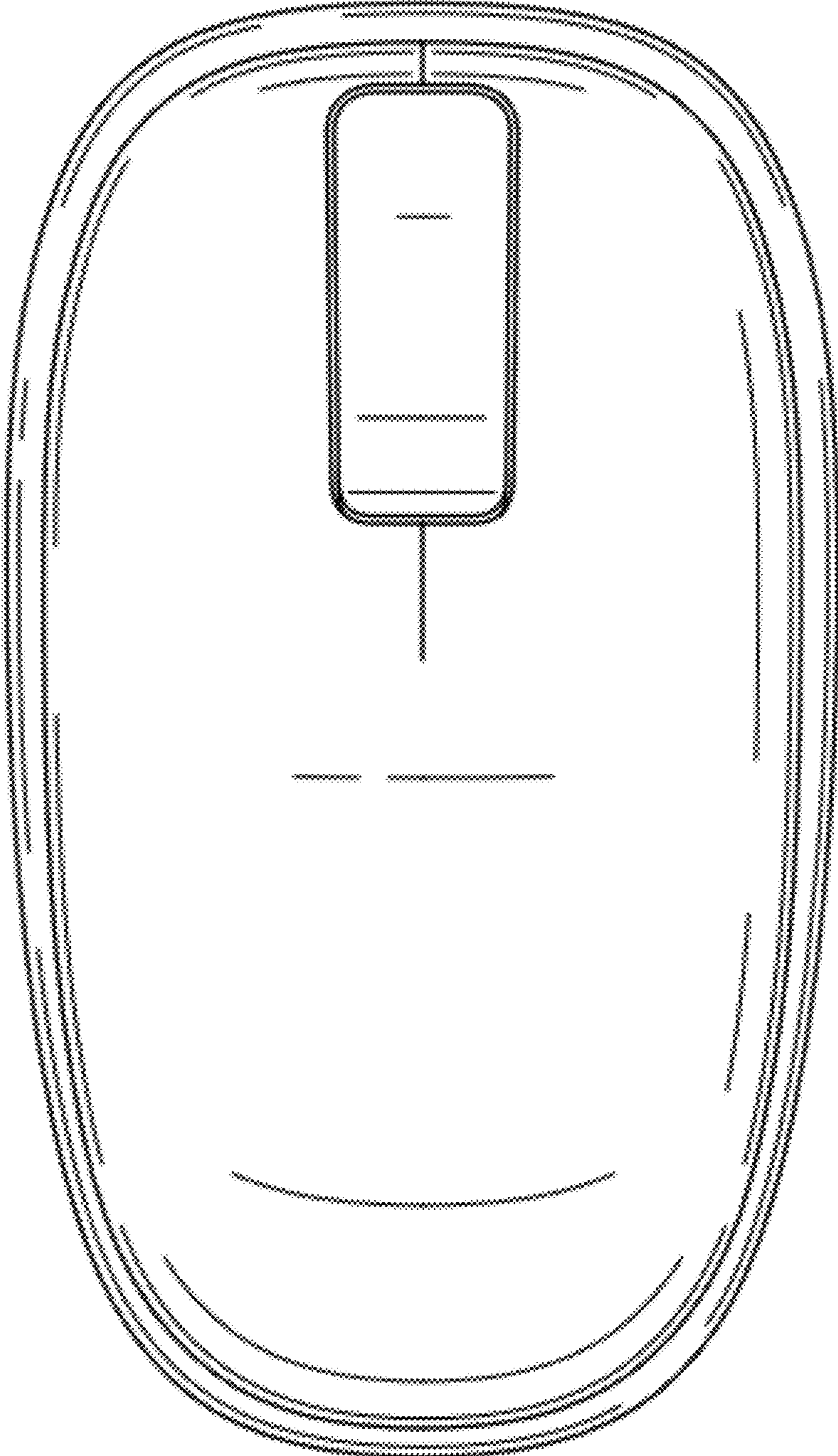


FIG. 2

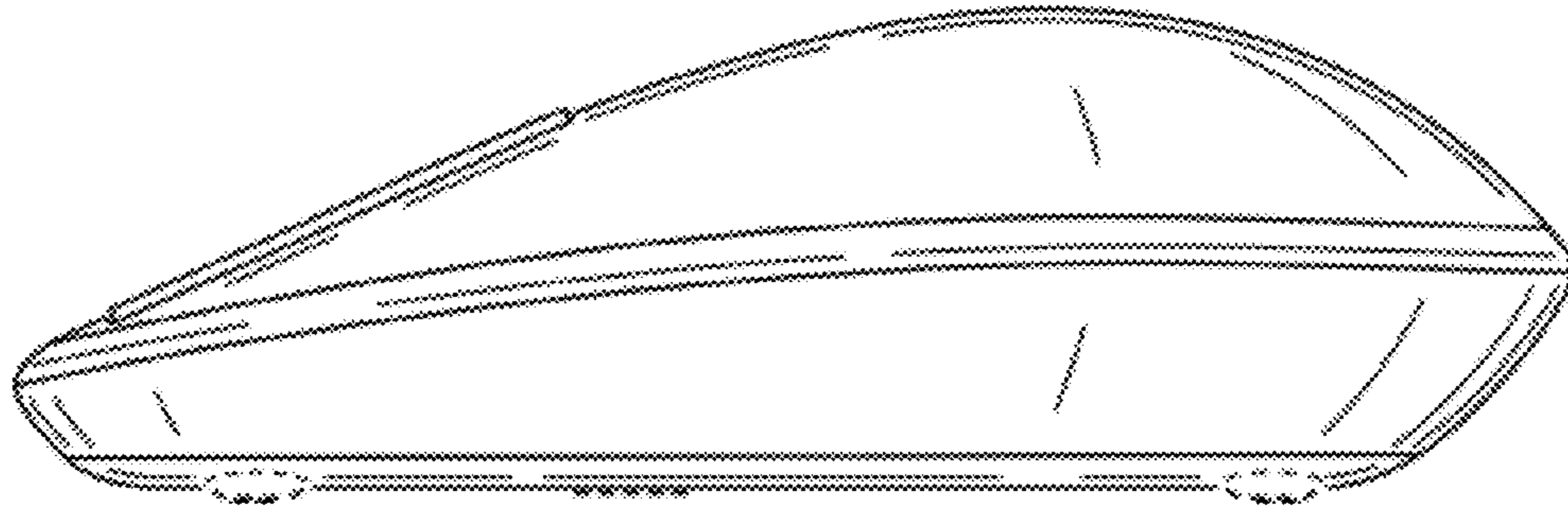


FIG. 3

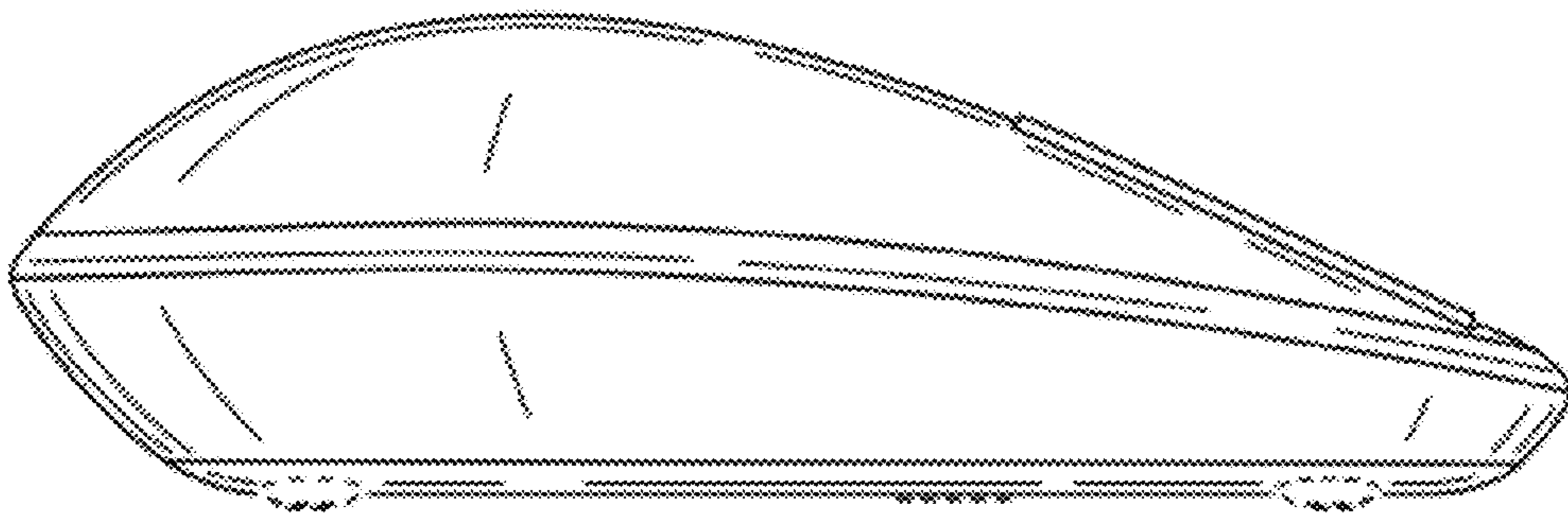


FIG. 4

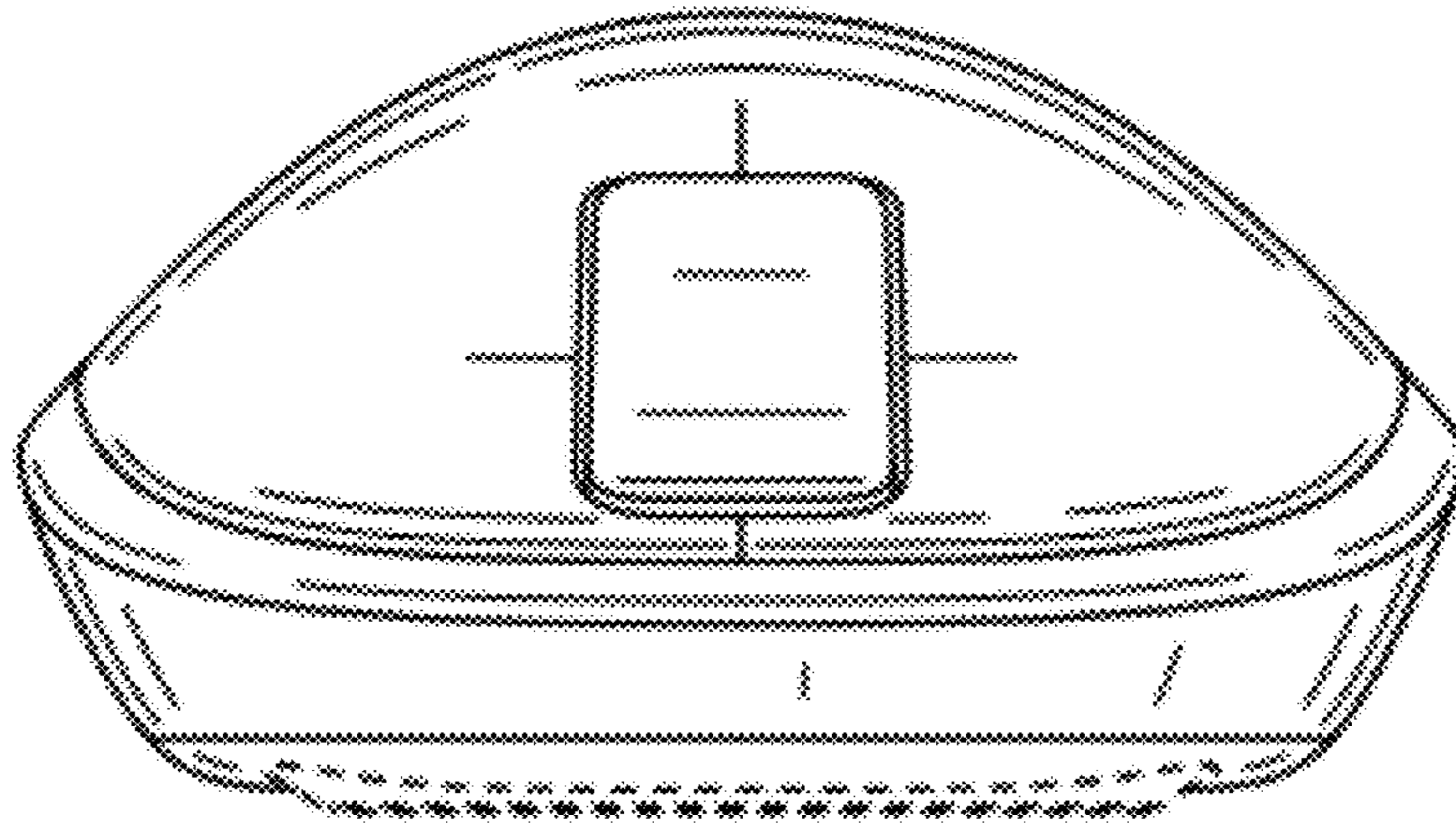


FIG. 5

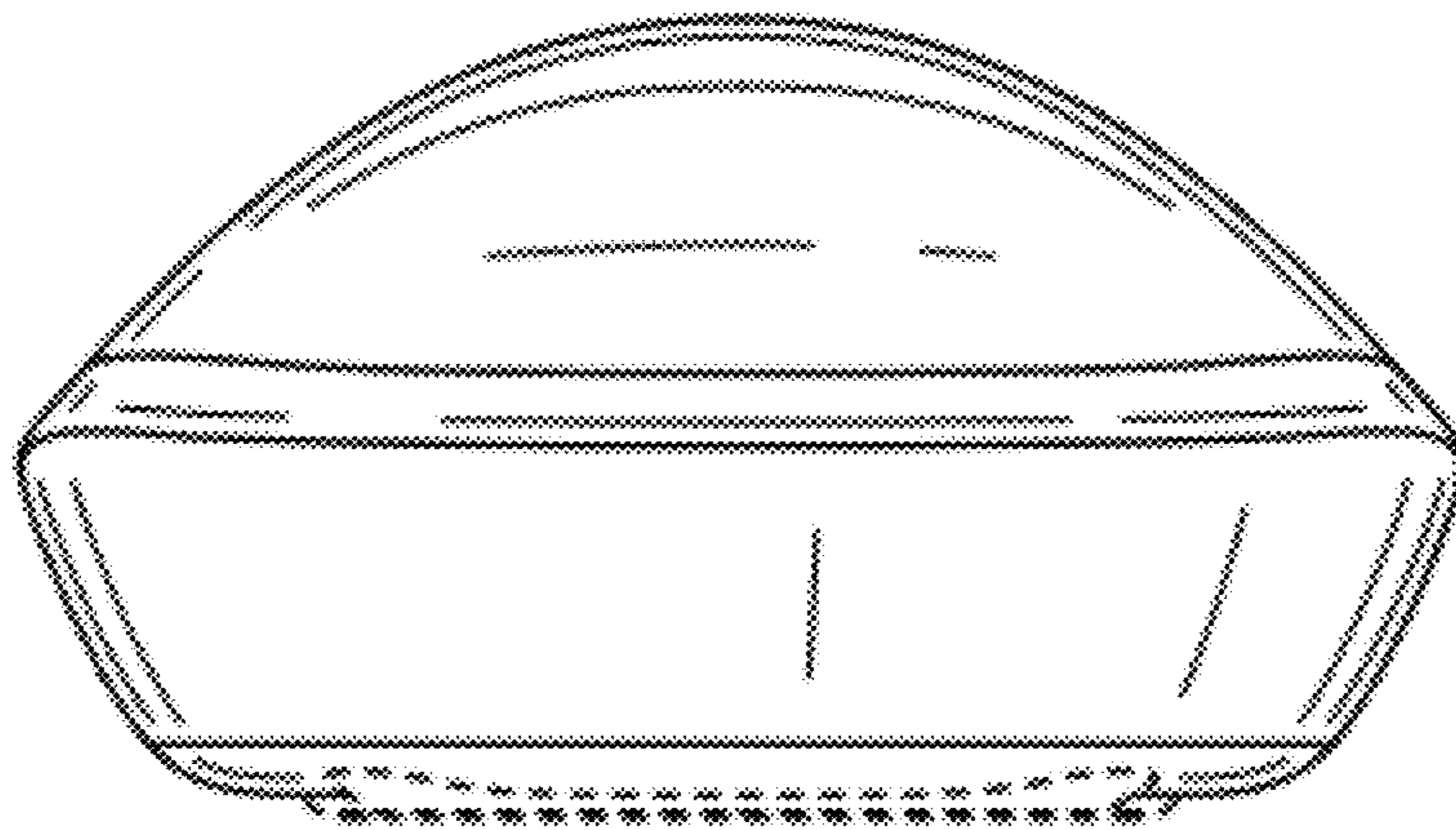


FIG. 6

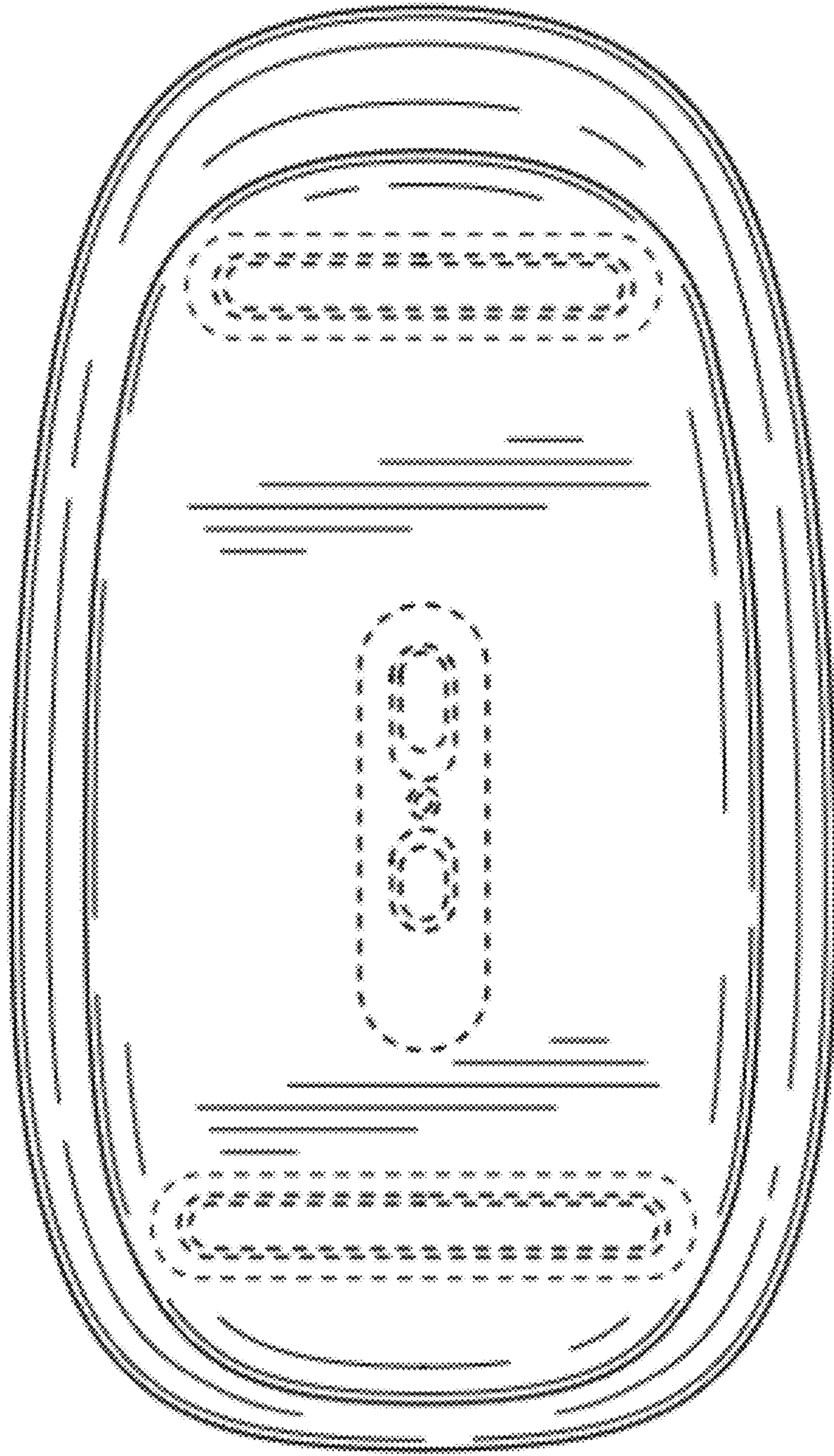


FIG. 7