



US00D657356S

(12) **United States Design Patent**
Wikel

(10) **Patent No.:** **US D657,356 S**
(45) **Date of Patent:** **** Apr. 10, 2012**

(54) **DEVICE CRADLE**

(75) Inventor: **Harold L. Wikel**, Muskego, WI (US)

(73) Assignee: **Motorola Mobility, Inc.**, Libertyville, IL (US)

(**) Term: **14 Years**

(21) Appl. No.: **29/399,849**

(22) Filed: **Aug. 19, 2011**

(51) **LOC (9) Cl.** **14-03**

(52) **U.S. Cl.** **D14/253; D14/415**

(58) **Field of Classification Search** D14/140,
D14/142, 147-149, 217, 240, 251-253, 432,
D14/434, 447, 452, 454, 496, 144, 451, 457;
D8/363, 373; D12/415, 418, 422; 248/206.2-206.4,
248/220.21, 279.1; 379/426, 446, 454, 455;
D13/107-108; D16/242; D21/333; 361/679;
320/115; 455/572; D3/218
See application file for complete search history.

(56) **References Cited**

U.S. PATENT DOCUMENTS

D350,528	S	*	9/1994	Bent et al.	D13/108
D359,616	S	*	6/1995	Ishibashi et al.	D3/218
5,471,530	A	*	11/1995	Chen	379/446
D369,465	S	*	5/1996	Scheid et al.	D3/218
D390,699	S	*	2/1998	Goldenberg et al.	D3/218
5,940,503	A	*	8/1999	Palett et al.	379/454
D451,915	S	*	12/2001	Dalmau	D14/253
6,763,111	B2	*	7/2004	Liao	379/446
D496,529	S	*	9/2004	Gotou	D3/218
D516,026	S	*	2/2006	Barrett et al.	D13/108
D521,928	S	*	5/2006	Shimizu	D13/108
D525,935	S	*	8/2006	Hussaini et al.	D13/108
D528,539	S	*	9/2006	McClaude	D14/253
D536,016	S	*	1/2007	Dayan	D16/242
D540,327	S	*	4/2007	Wong et al.	D14/434
D546,760	S	*	7/2007	Aguilar	D13/108
D557,207	S	*	12/2007	Aguilar	D13/108
D585,897	S	*	2/2009	Carnevali	D14/434
D603,322	S	*	11/2009	Nicieja	D12/415
D633,040	S	*	2/2011	Le et al.	D13/108

D643,030	S	*	8/2011	Cheng et al.	D14/253
D645,403	S	*	9/2011	Seo et al.	D13/108
2002/0079864	A1	*	6/2002	Soumi et al.	320/115

OTHER PUBLICATIONS

RAM Mount Plastic Motorola Xoom Tablet Mount Cradle, <URL:http://www.gpscocity.com/ram-mount-motorola-xoom-tablet-cradle-ram-hol-moto3u.html>, retrieved from internet Nov. 16, 2011.*

Motorola Atrix Car Cradle, <URL:http://www.motorola.com/Consumers/HK-EN/Consumer-Product-and-Services/Mobile+Phone+Accessories/Car+Accessories/MOTOROLA-ATRIX-CAR-CRADEL-HK-EN>, retrieved from internet Nov. 16, 2011.*

Car Windshield Mount Holder Cradle for iPhone 3G 3GS 4G, <URL:http://www.ebay.com/itm/Car-Windshield-Mount-Holder-Cradle-iPhone-3G-3GS-4G-/270767313742>, retrieved from internet Nov. 16, 2011.*

* cited by examiner

Primary Examiner — Carla Wright

(57) **CLAIM**

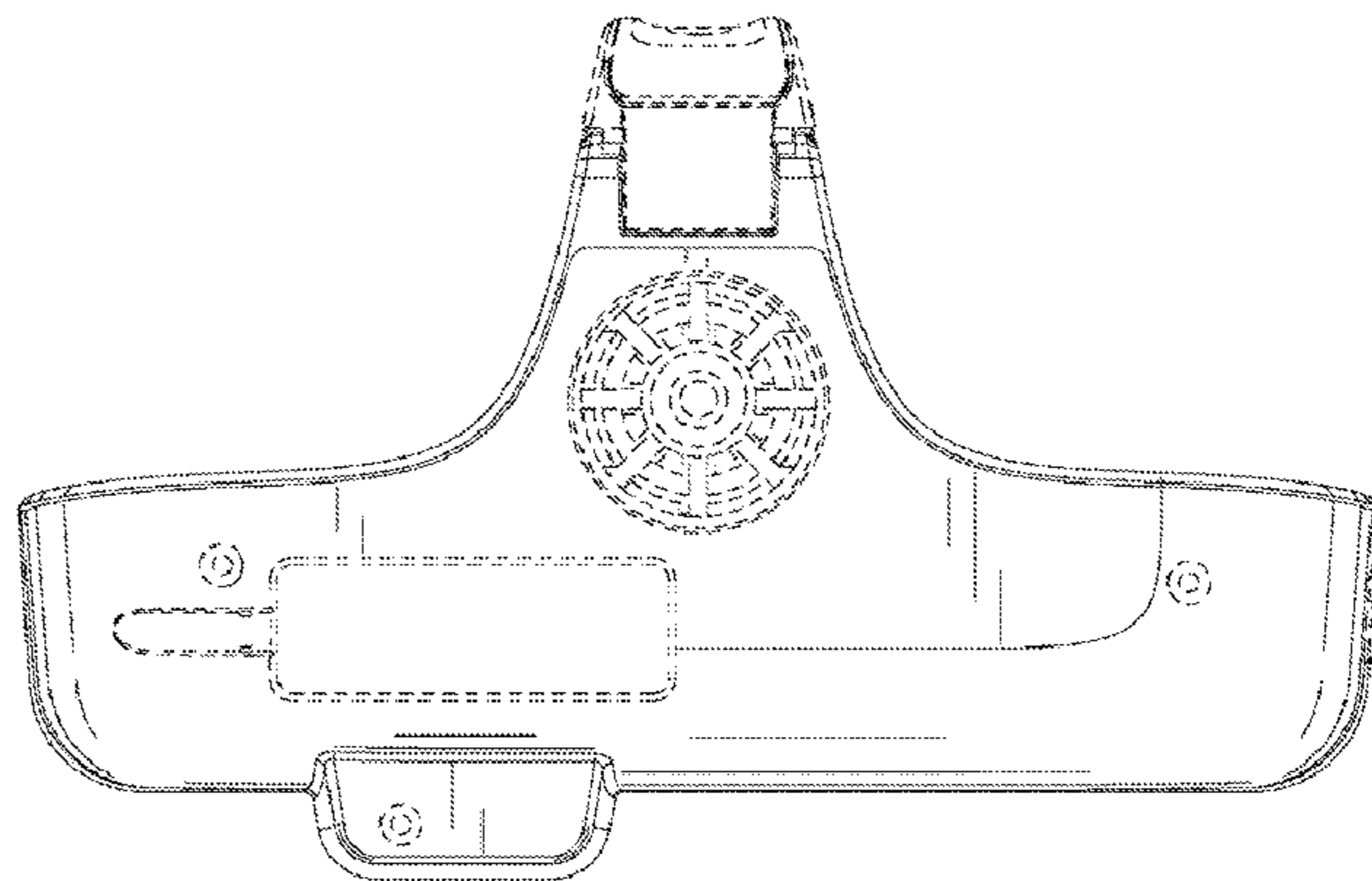
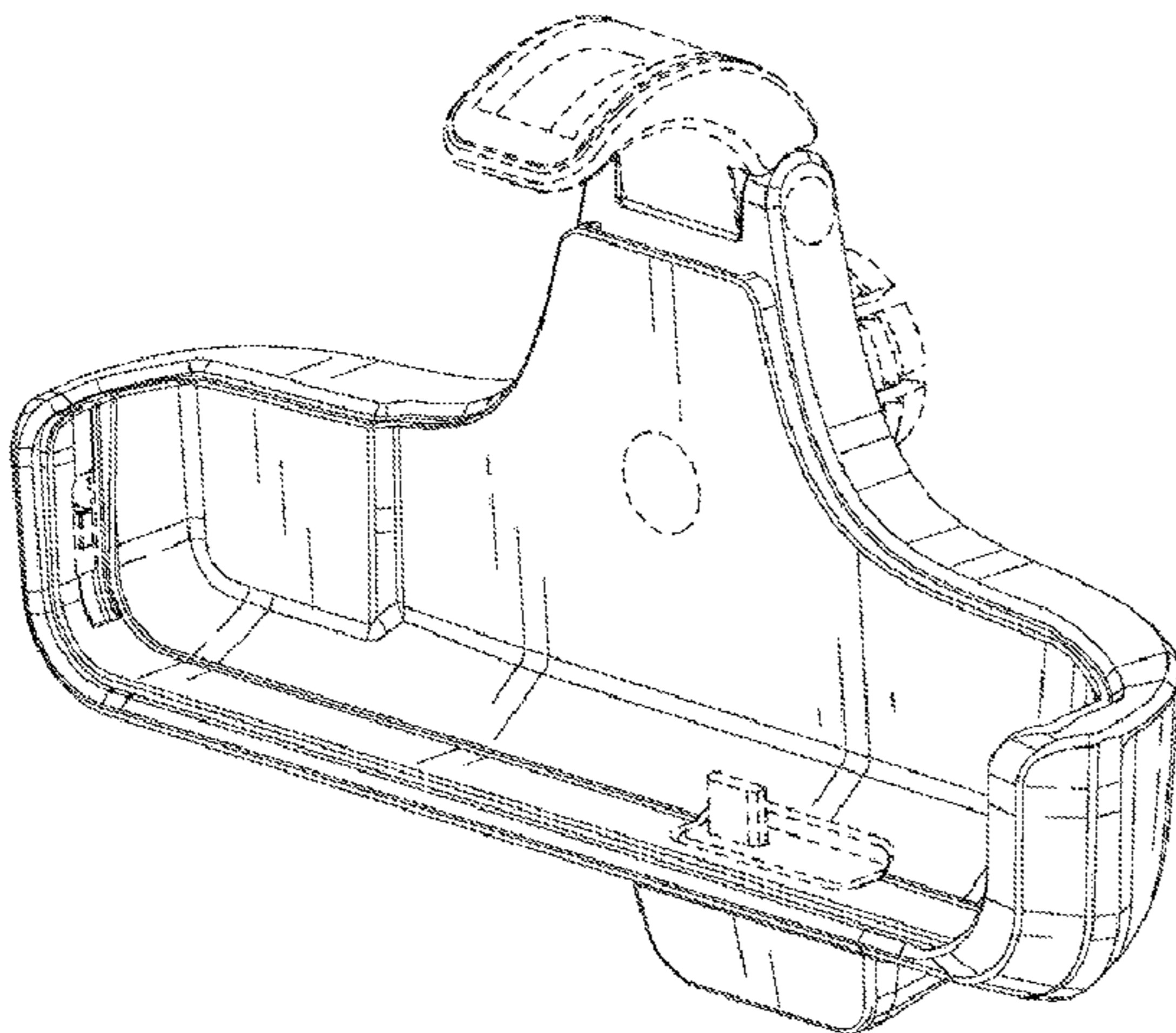
The ornamental design for a device cradle, as shown and described.

DESCRIPTION

FIG. 1 is a rear perspective view of an ornamental design for a device cradle;
FIG. 2 is a front perspective view thereof;
FIG. 3 is a rear view thereof;
FIG. 4 is a front view thereof;
FIG. 5 is a first side view thereof;
FIG. 6 is a second side view thereof;
FIG. 7 is a top view thereof; and,
FIG. 8 is a bottom view thereof.

The broken lines that are immediately adjacent to the shaded areas, and define unshaded regions, represent the bounds of the claimed design, while all other broken lines depict unclaimed environment. The broken lines and unshaded regions bounded by broken lines form no part of the claimed design.

1 Claim, 5 Drawing Sheets



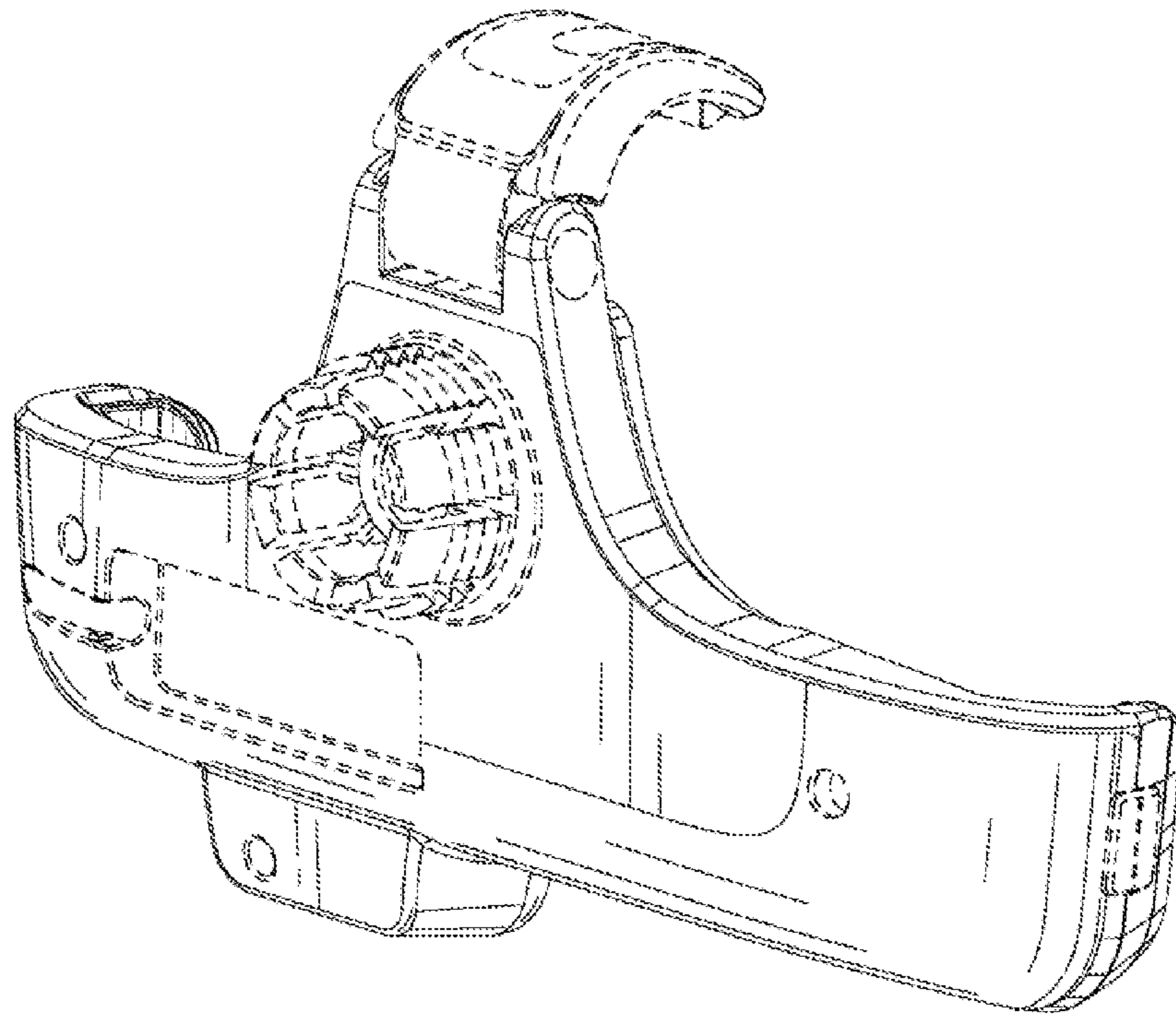


FIG. 1

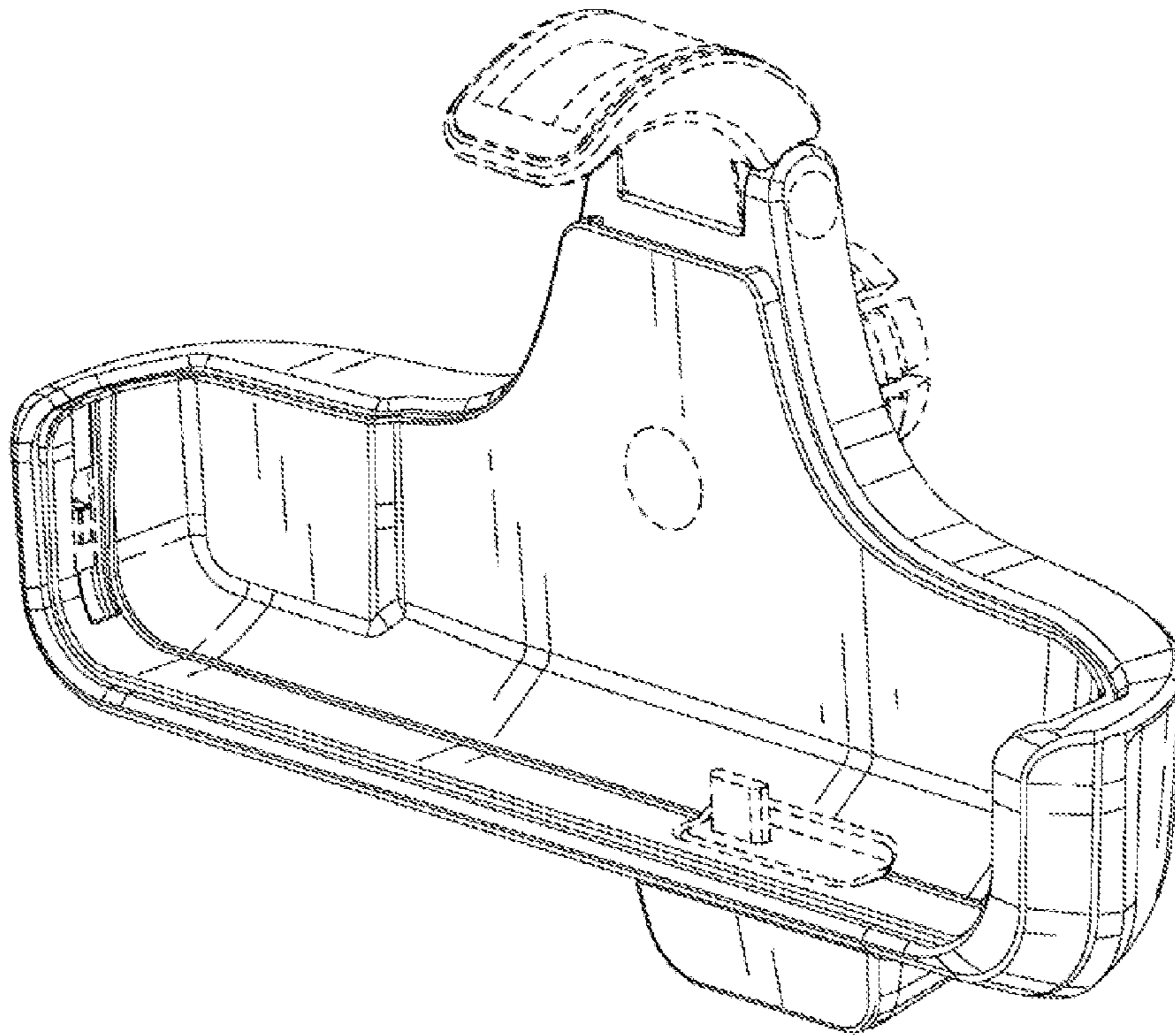


FIG. 2

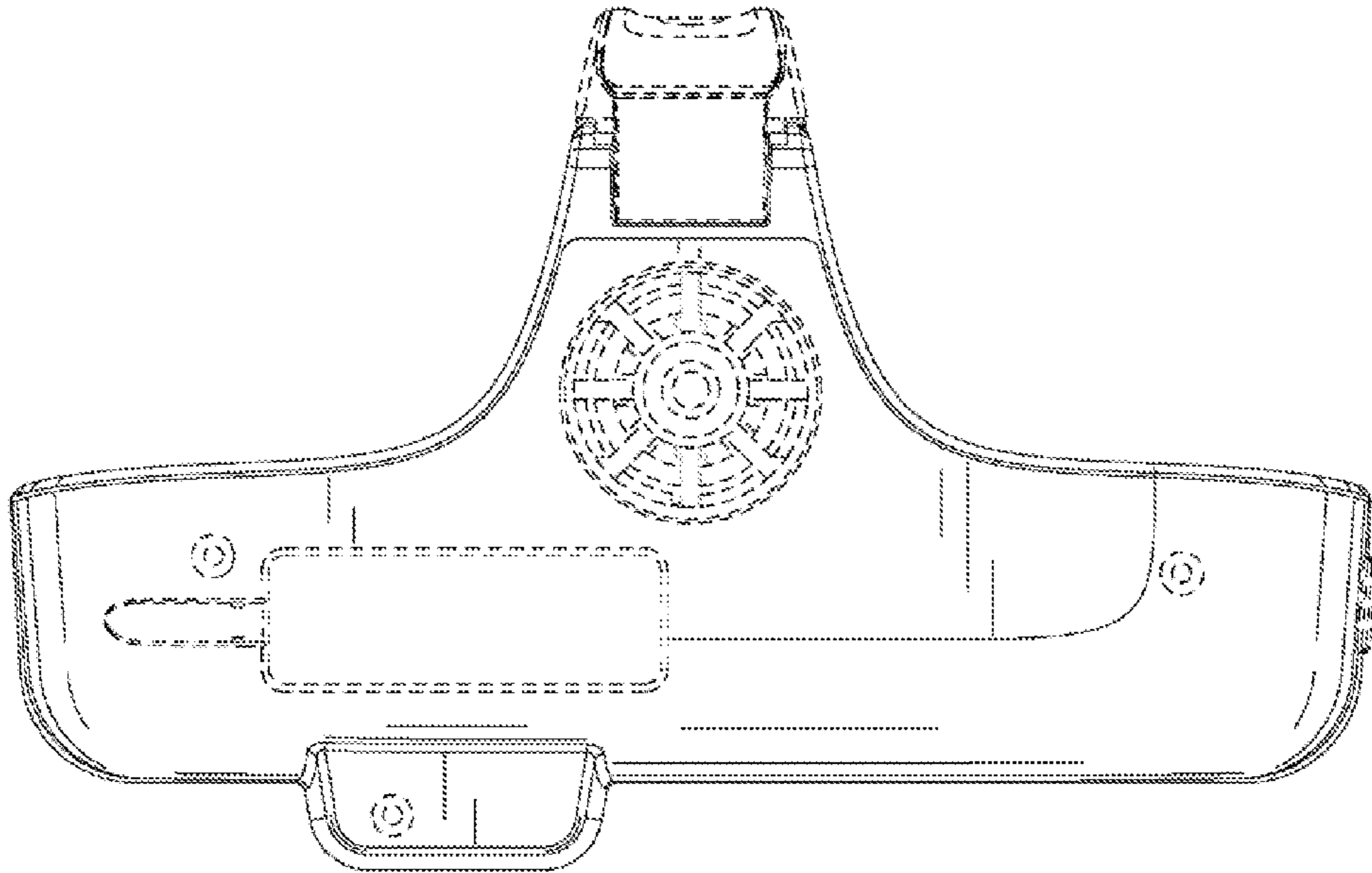


FIG. 3

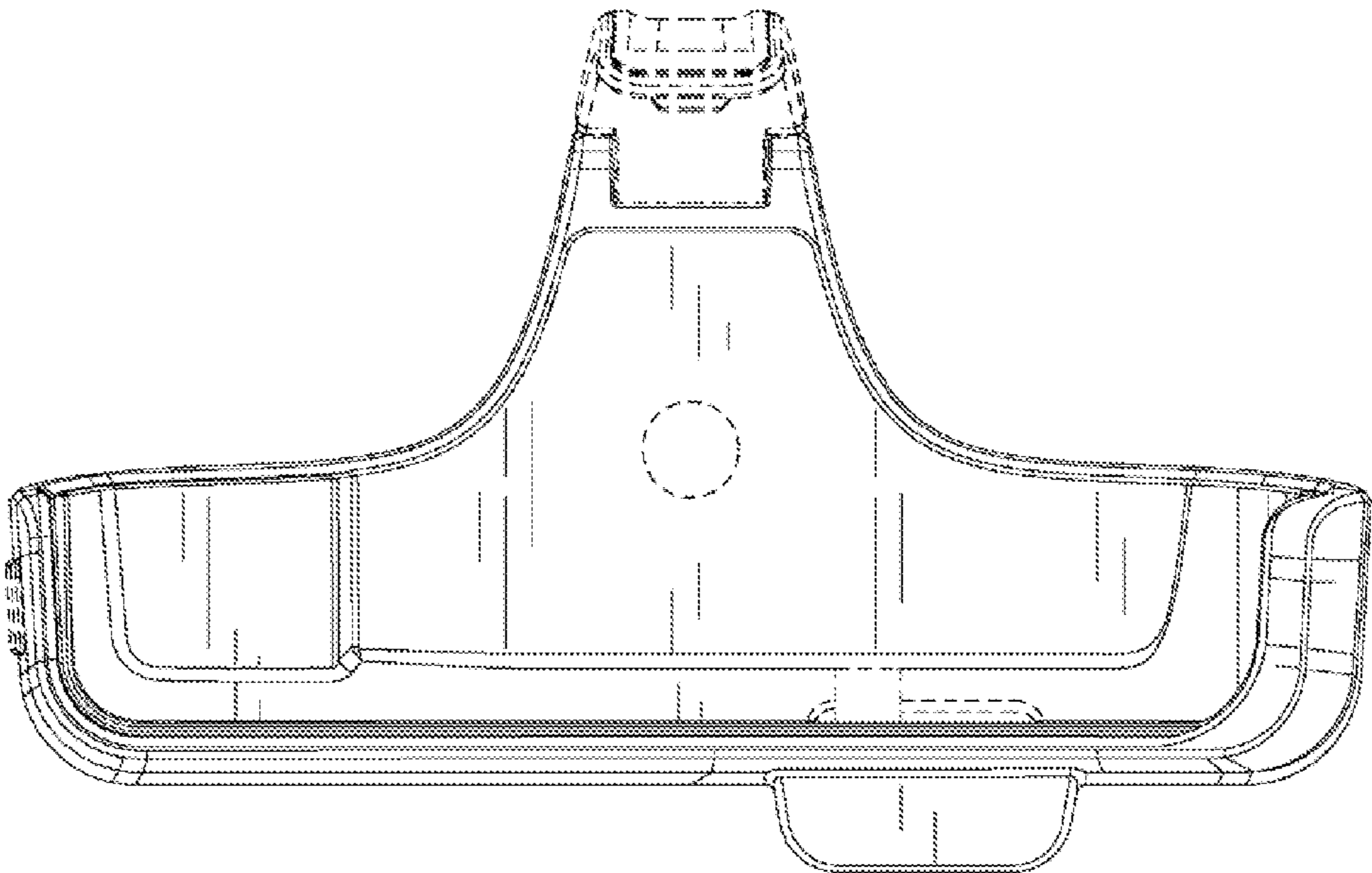


FIG. 4

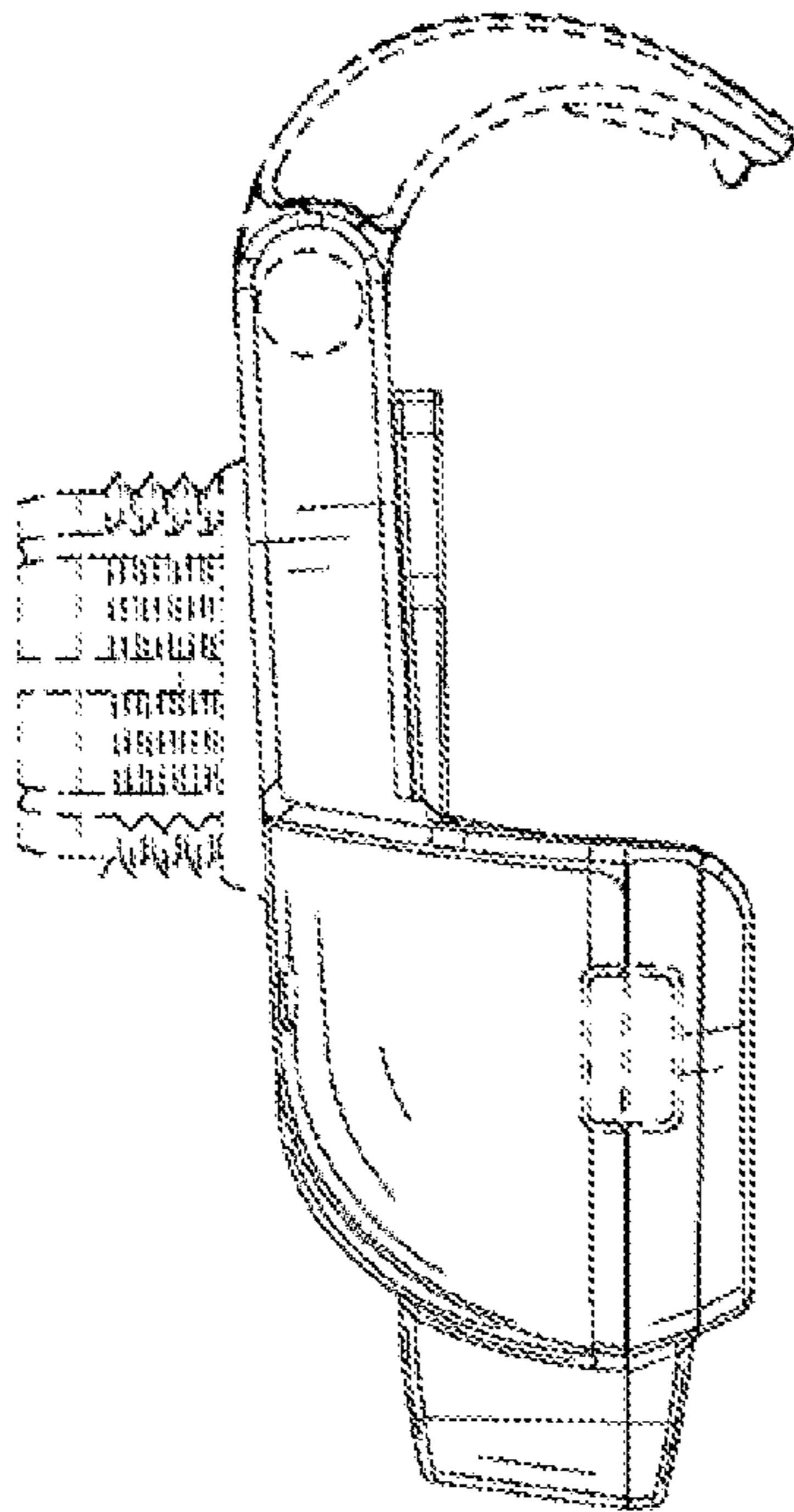


FIG. 5

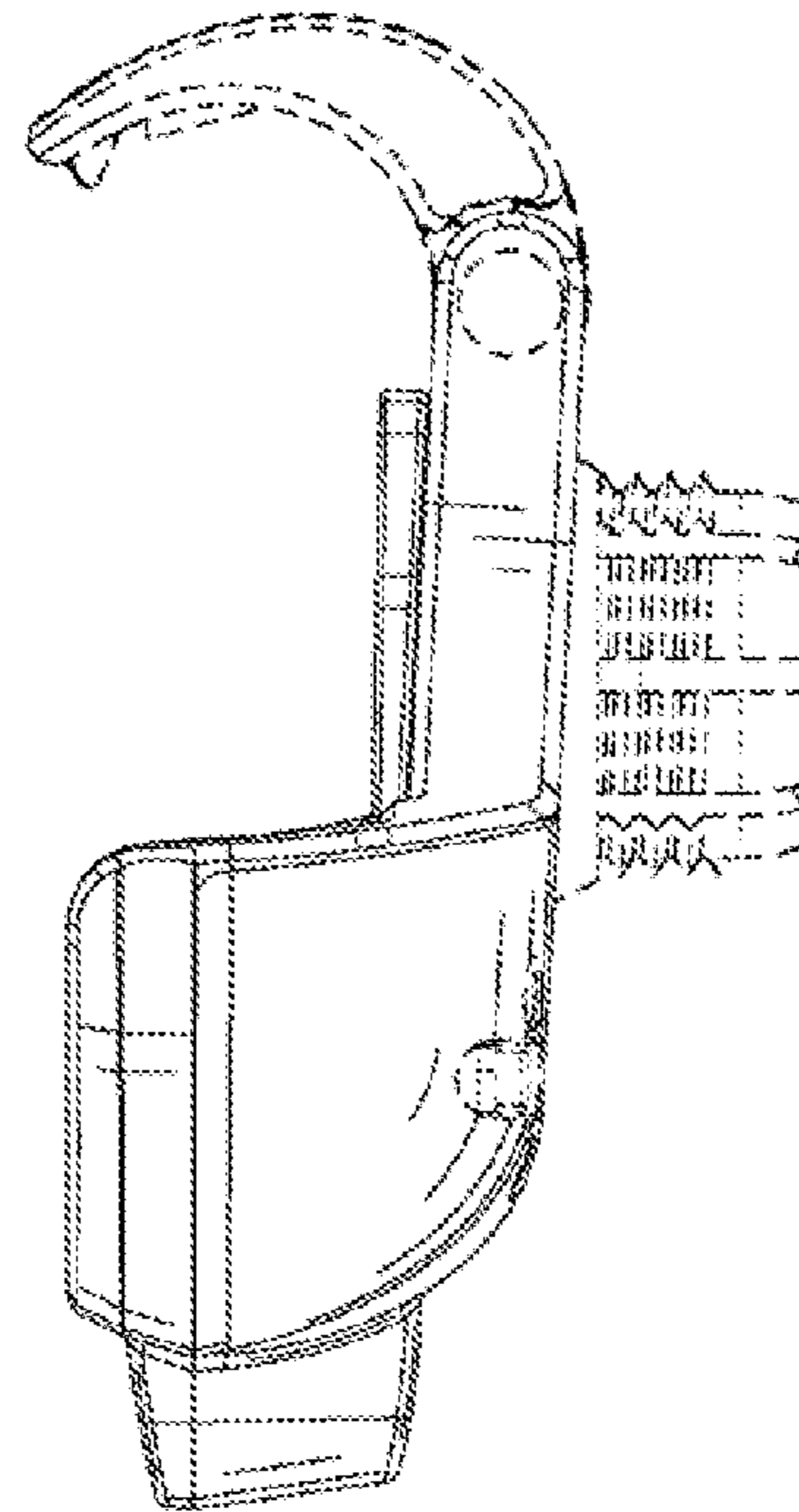


FIG. 6

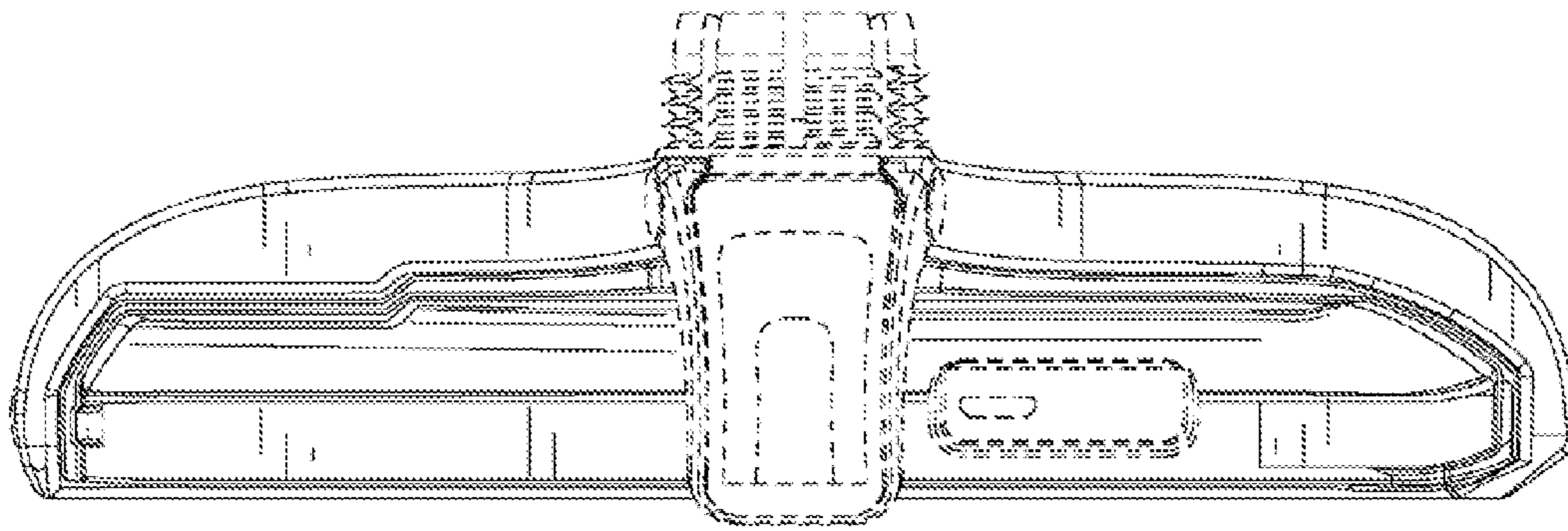


FIG. 7

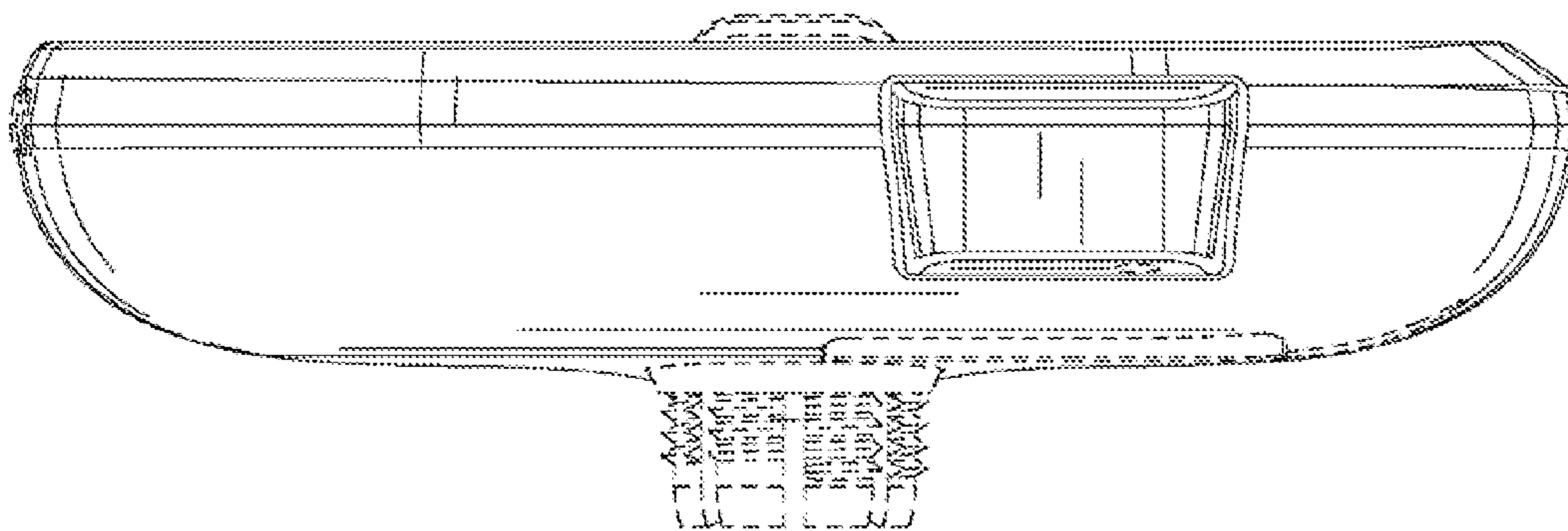


FIG. 8