



US00D657351S

(12) **United States Design Patent**
Chen

(10) **Patent No.:** **US D657,351 S**
(45) **Date of Patent:** **** Apr. 10, 2012**

(54) **SPEAKER**

FOREIGN PATENT DOCUMENTS

(75) Inventor: **Hwang-Miaw Chen**, Taipei Hsien (TW)

TW M305528 1/2007
* cited by examiner

(73) Assignee: **Hon Hai Precision Industry Co., Ltd.**,
Tu-Cheng, New Taipei (TW)

Primary Examiner — Nanda Bondade
(74) *Attorney, Agent, or Firm* — Altis Law Group, Inc.

(**) Term: **14 Years**

(21) Appl. No.: **29/381,990**

(57) **CLAIM**

The ornamental design for a speaker, as shown and described.

(22) Filed: **Dec. 27, 2010**

(51) **LOC (9) Cl.** **14-01**

(52) **U.S. Cl.** **D14/216**

(58) **Field of Classification Search** D14/204,
D14/210–215, 221, 222, 172; 181/143–144,
181/147–148, 150–153, 157, 166, 198–199;
381/300–303, 306, 332–333, 336, 345, 361–364,
381/386–388

DESCRIPTION

See application file for complete search history.

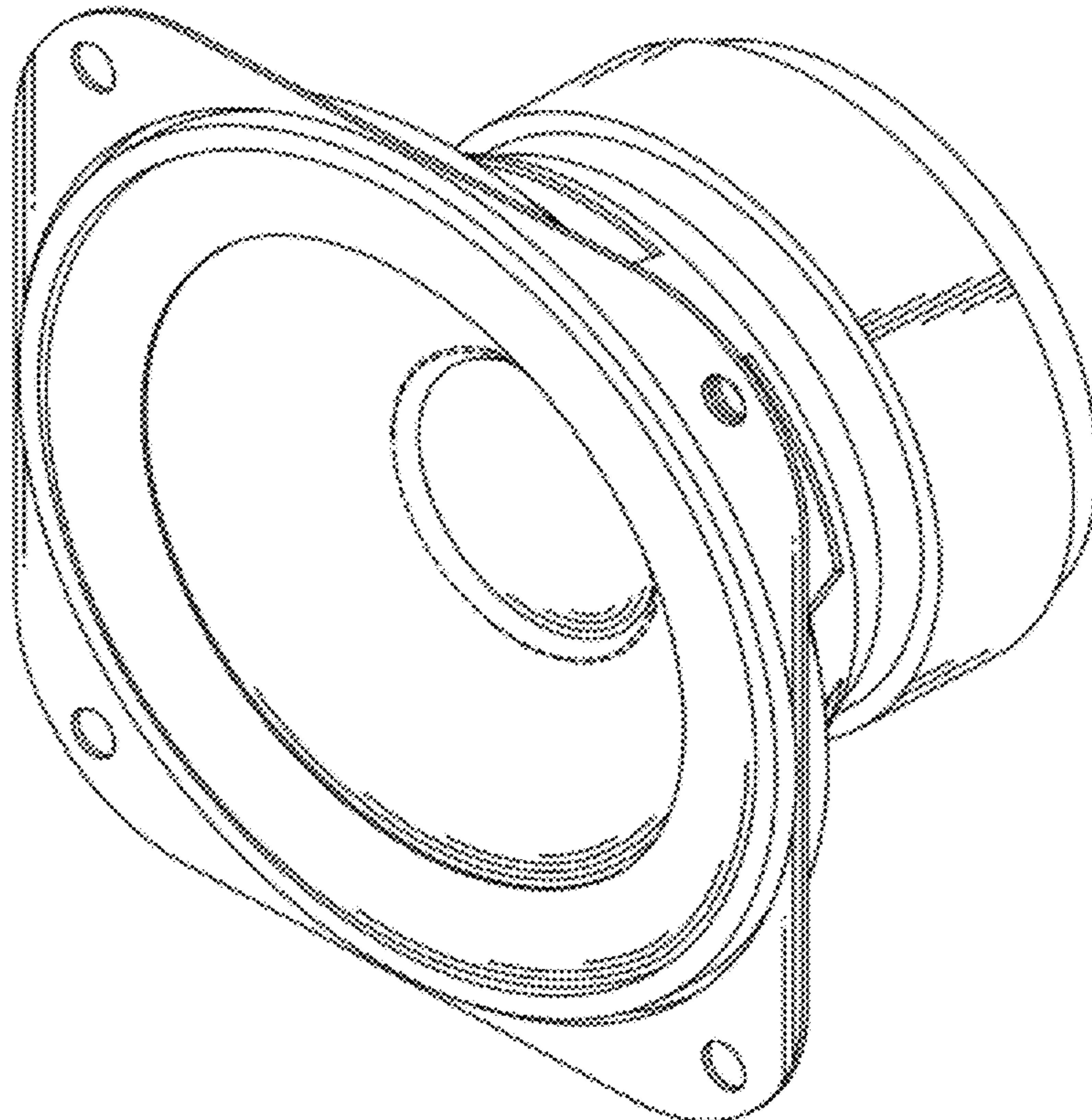
FIG. 1 is a perspective view of a speaker showing my new design.
FIG. 2 is a front elevational view thereof.
FIG. 3 is a rear elevational view thereof.
FIG. 4 is a left side elevational view thereof.
FIG. 5 is a right side elevational view thereof.
FIG. 6 is a top plan view thereof.
FIG. 7 is a bottom plan view thereof; and,
FIG. 8 is a cross-sectional type of view of the speaker, corresponding to 8-8 of FIG. 2.

(56) **References Cited**

U.S. PATENT DOCUMENTS

D188,542 S * 8/1960 Levy et al. D14/216
D197,716 S * 3/1964 Boldt et al. D14/216
D393,641 S * 4/1998 Hai-Fu D14/216
D522,498 S * 6/2006 Tanaka et al. D14/221

1 Claim, 8 Drawing Sheets



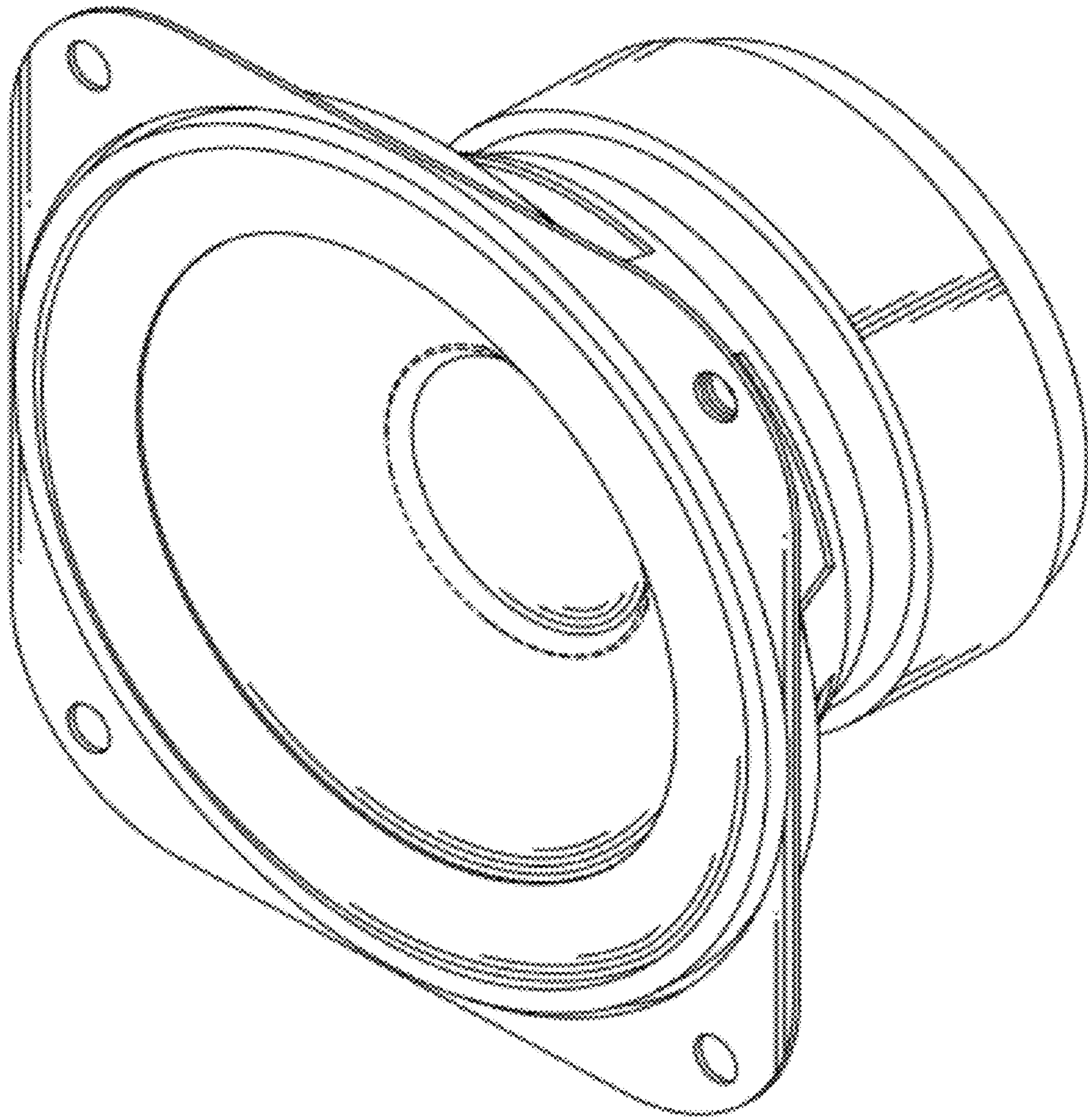


FIG. 1

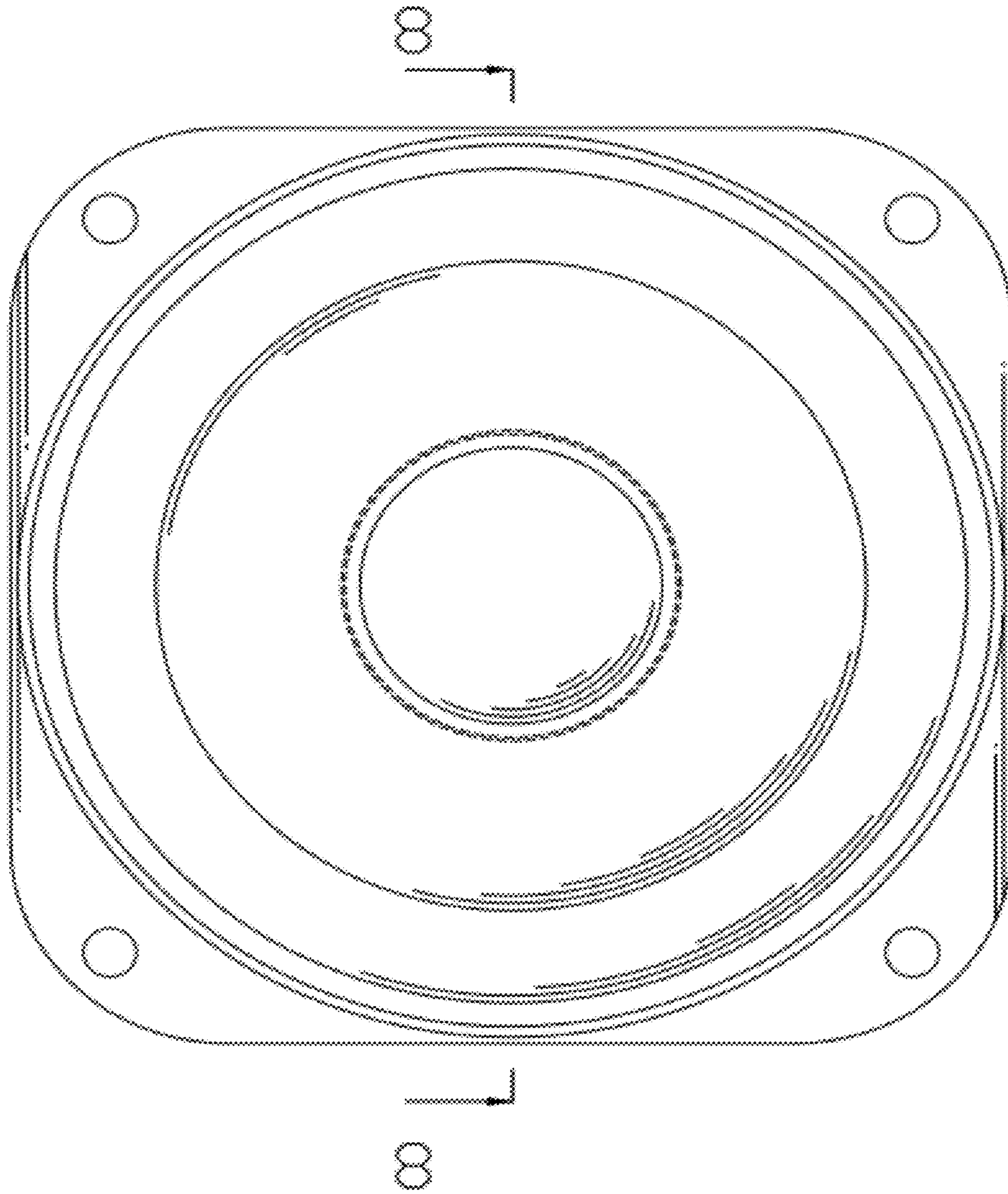


FIG. 2

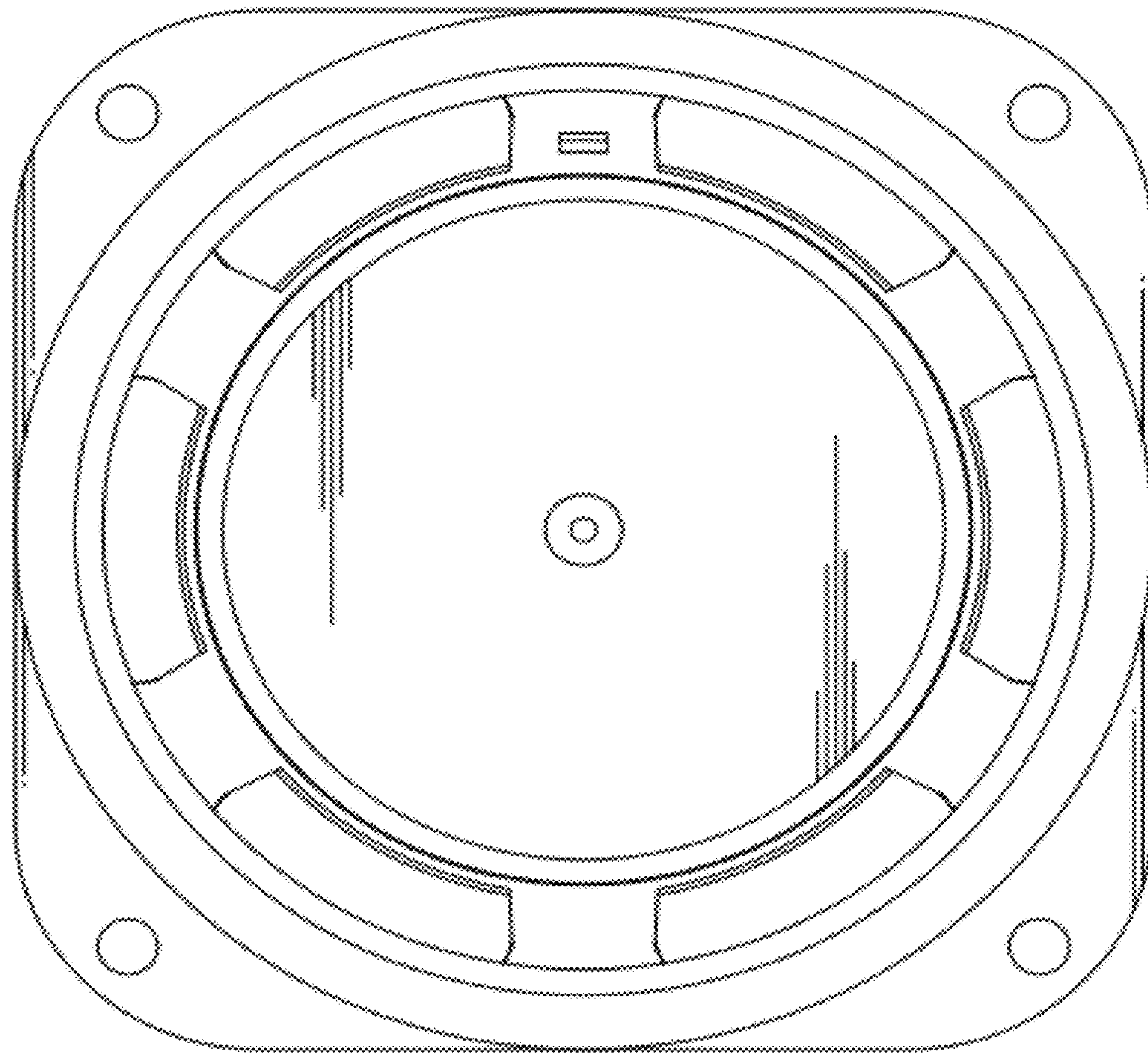


FIG. 3

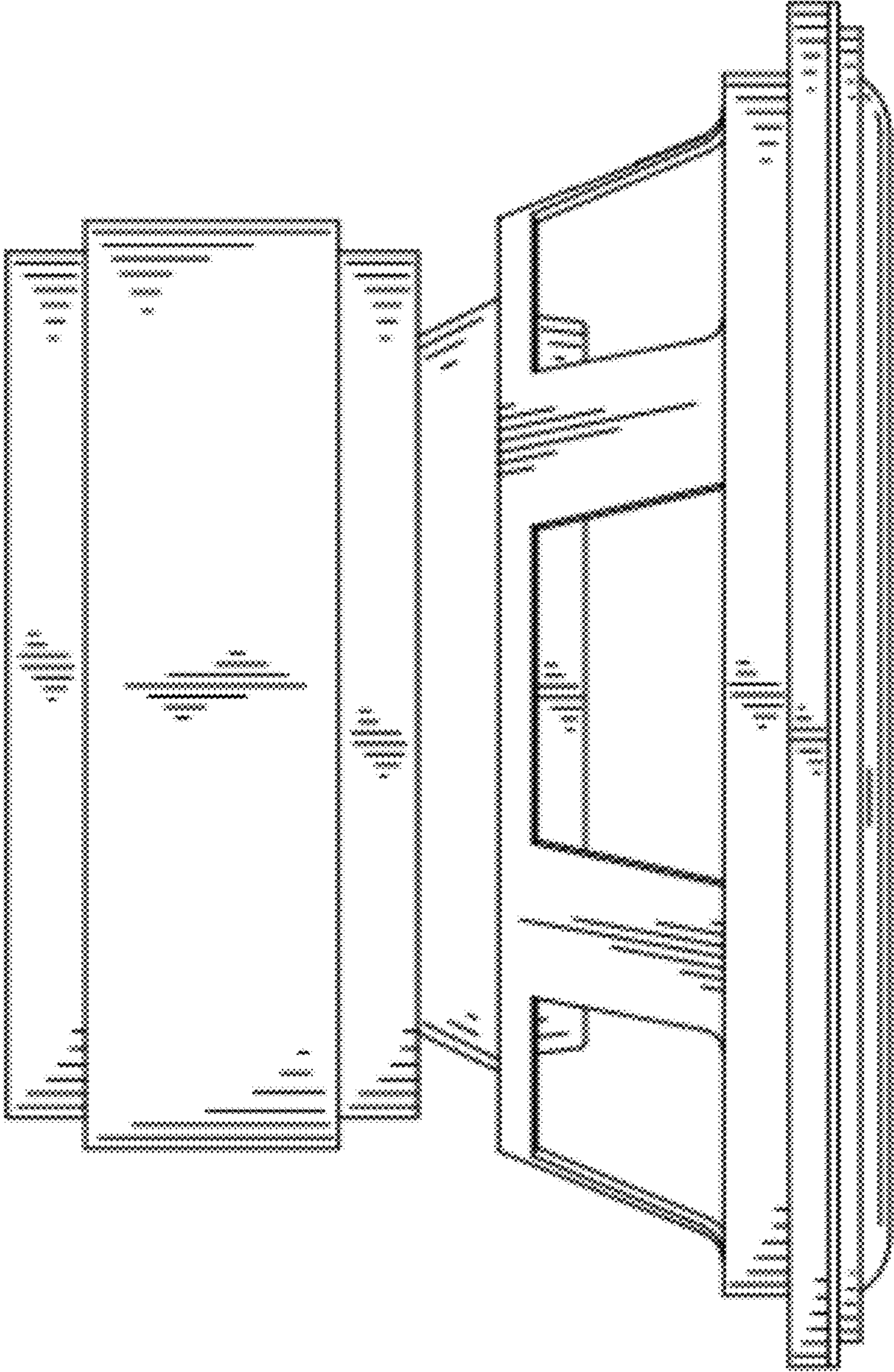


FIG. 4

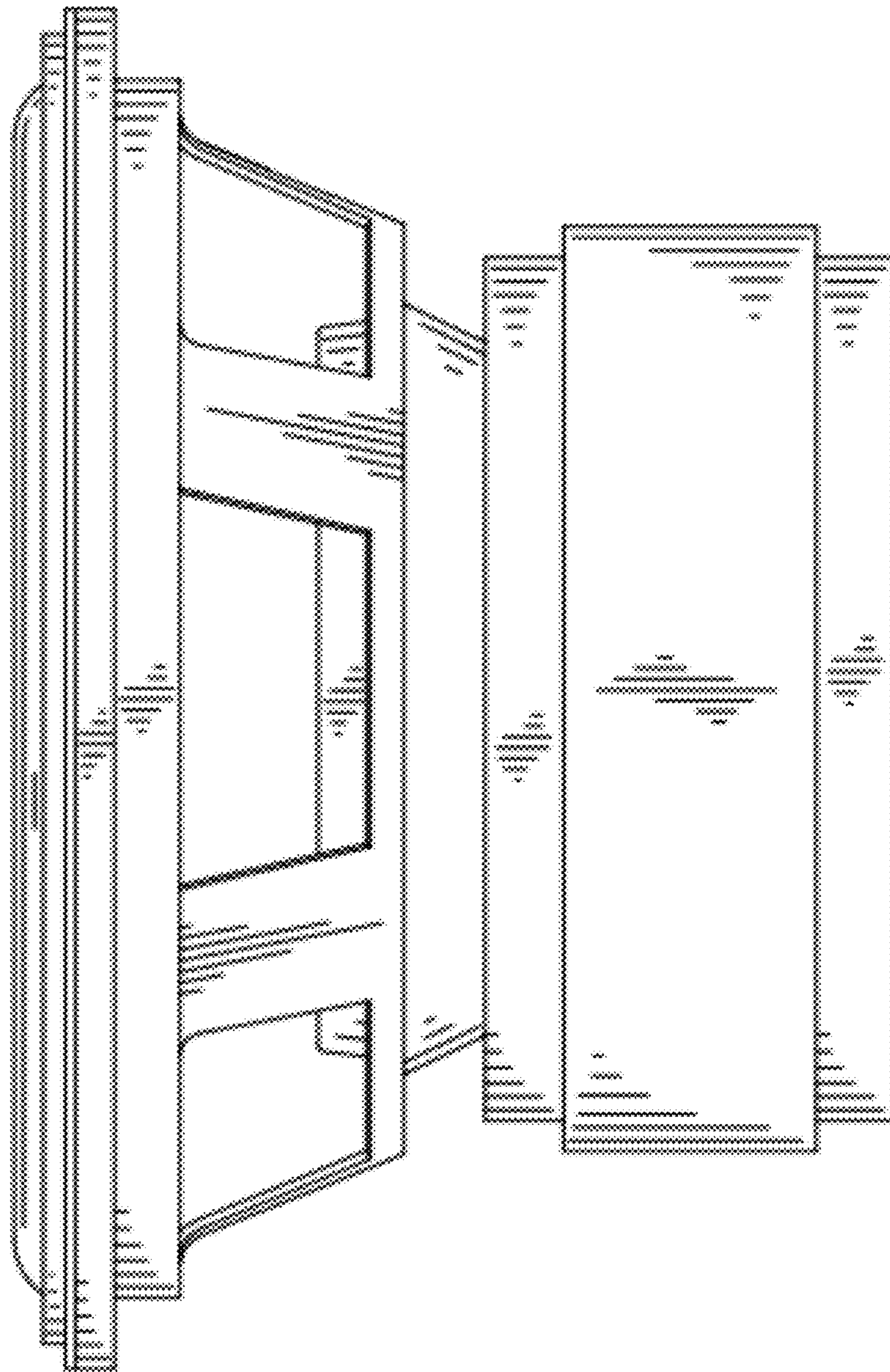


FIG. 5

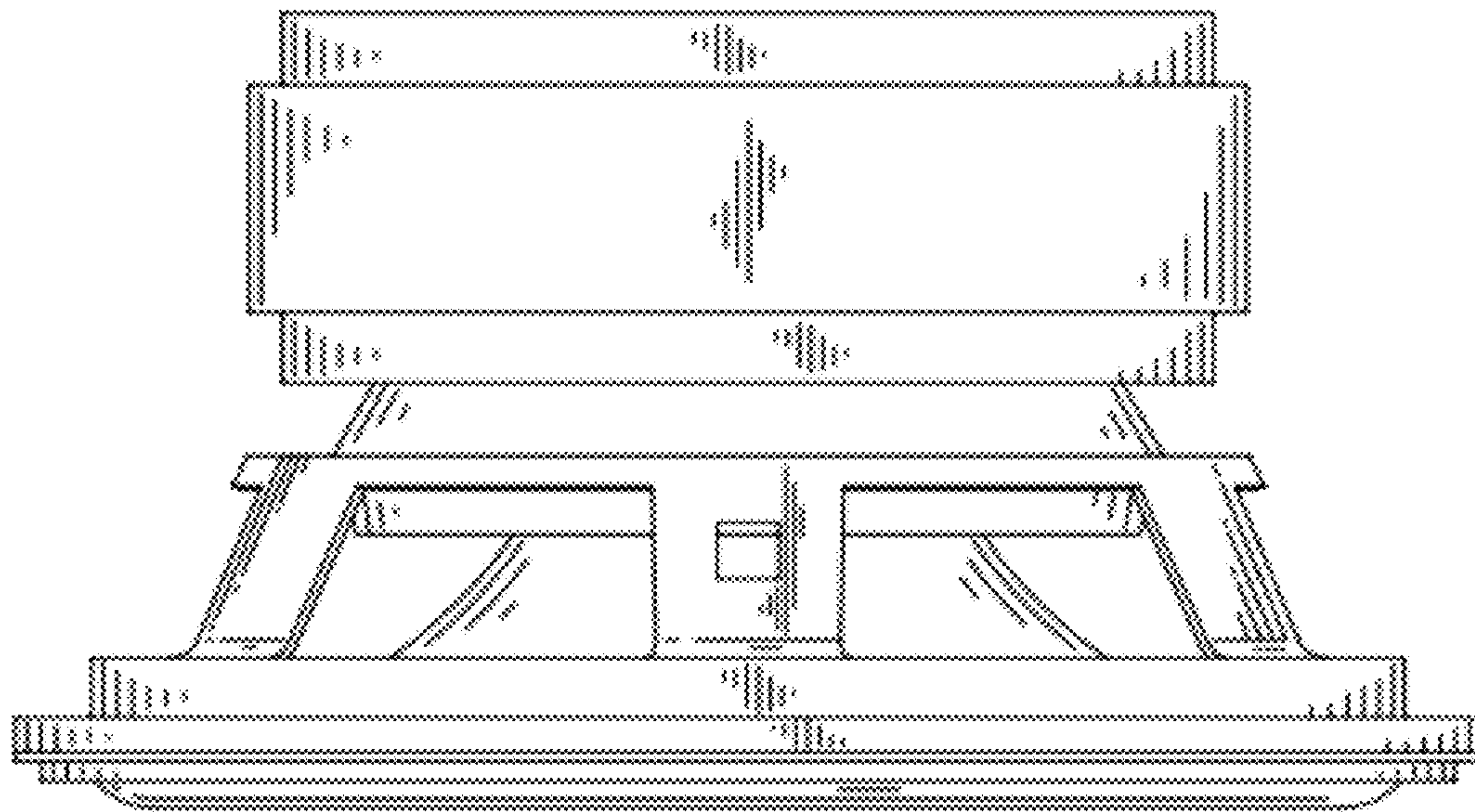


FIG. 6

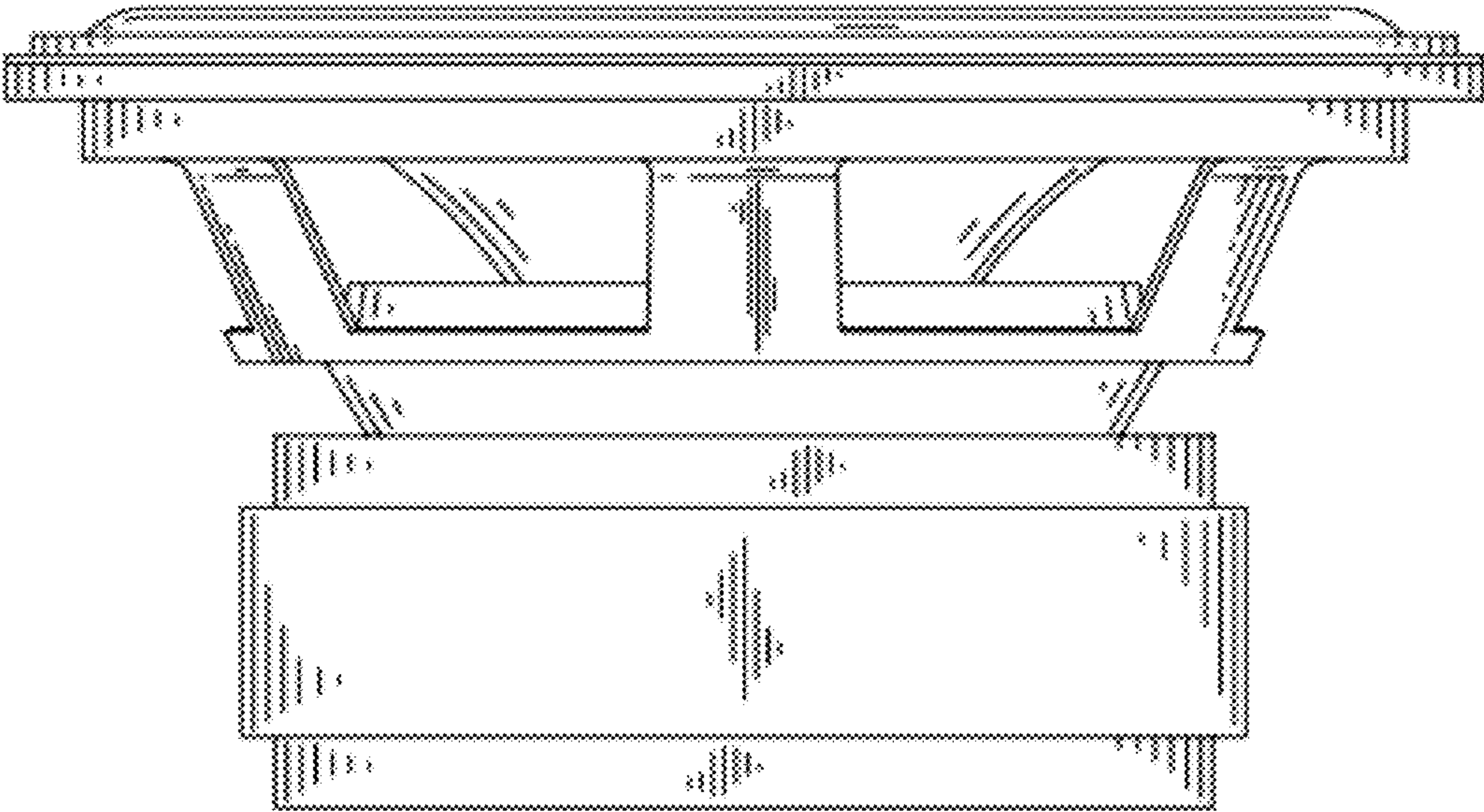


FIG. 7

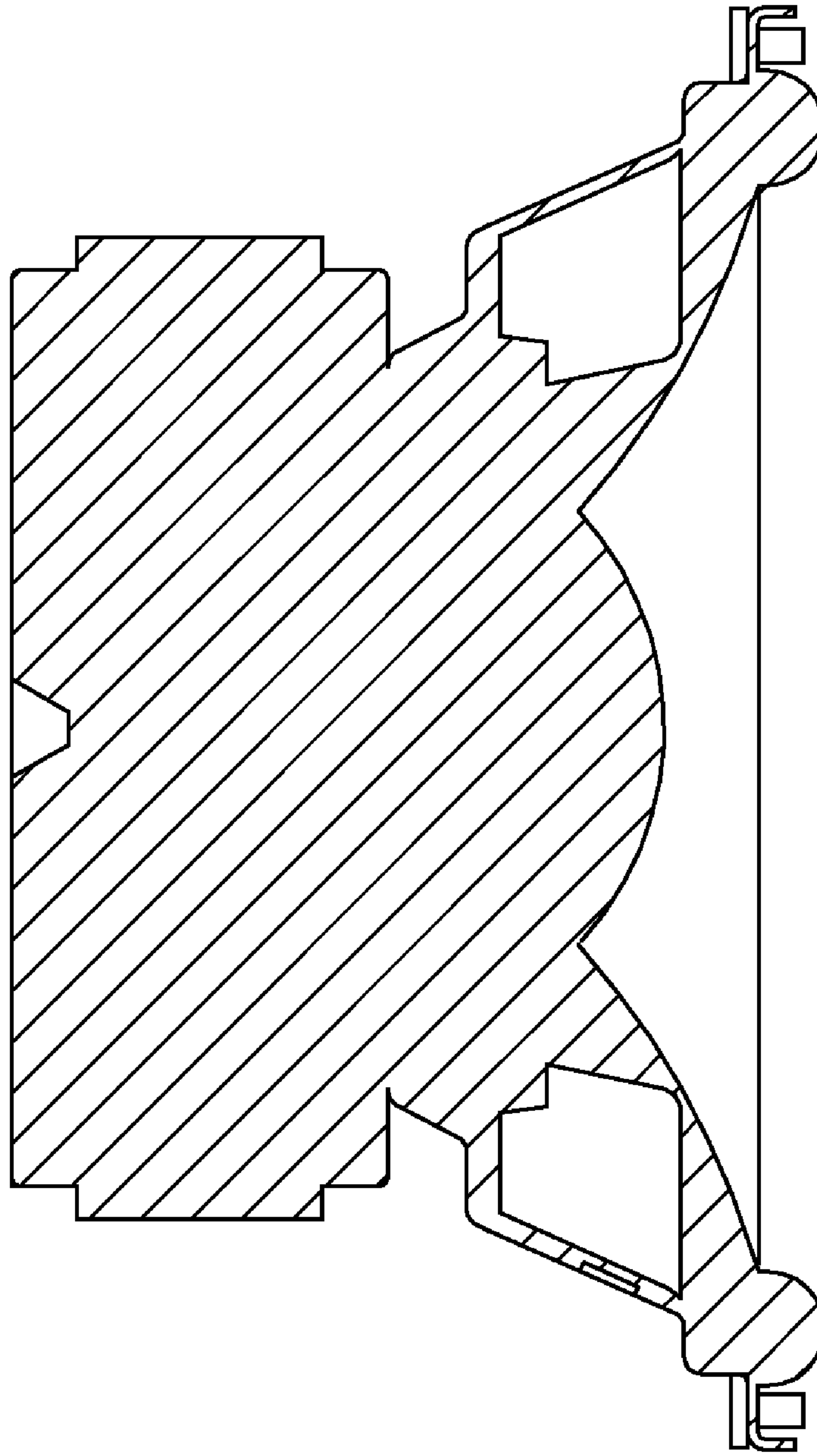


FIG. 8