



US00D657349S

(12) **United States Design Patent**  
**Paddock**

(10) **Patent No.:** **US D657,349 S**  
(45) **Date of Patent:** **\*\* Apr. 10, 2012**

(54) **SUB-WOOFER**

(75) Inventor: **Thomas L. Paddock**, Truckee, CA (US)

(73) Assignee: **Sound Research Corporation**, Truckee, CA (US)

(\*\*) Term: **14 Years**

(21) Appl. No.: **29/380,638**

(22) Filed: **Dec. 8, 2010**

**Related U.S. Application Data**

(63) Continuation-in-part of application No. 29/369,680, filed on Sep. 10, 2010, which is a continuation-in-part of application No. 29/365,310, filed on Jul. 7, 2010.

(51) **LOC (9) Cl.** ..... **14-01**

(52) **U.S. Cl.** ..... **D14/214**

(58) **Field of Classification Search** ..... D14/204,  
D14/209.1, 210–216, 172; 181/143–144,  
181/147–148, 150–153, 157, 198–199;  
381/300–303, 306, 332–333, 336, 345, 361–364,  
381/386–388

See application file for complete search history.

(56) **References Cited**

**U.S. PATENT DOCUMENTS**

D277,277 S \* 1/1985 Matsuda ..... D14/214  
D460,437 S \* 7/2002 Lancaster et al. .... D14/214  
D512,412 S \* 12/2005 Tsuge ..... D14/214  
D538,262 S \* 3/2007 Chen et al. .... D14/214  
D545,299 S \* 6/2007 Tsuge ..... D14/214  
D568,867 S \* 5/2008 Parikh ..... D14/214

D571,356 S \* 6/2008 Smith ..... D14/214  
D587,239 S \* 2/2009 Raisanen et al. .... D14/188  
D595,693 S \* 7/2009 Hussey et al. .... D14/214

\* cited by examiner

*Primary Examiner* — Nanda Bondade

(74) *Attorney, Agent, or Firm* — Edward B. Weller

(57) **CLAIM**

The ornamental design for a sub-woofer, as shown and described.

**DESCRIPTION**

A portion of the disclosure of this patent document contains material to which a claim for copyright is made. The copyright owner has no objection to the facsimile reproduction by anyone of the patent document or the patent disclosure, as it appears in the Patent and Trademark Office patent file or records, but reserves all other copyrights whatsoever.

FIG. 1 is a perspective view of the left side, front, and top of a sub-woofer showing my new design;

FIG. 2 is a right side elevational view thereof;

FIG. 3 is a left side elevational view;

FIG. 4 is a top view thereof;

FIG. 5 is a front elevational view;

FIG. 6 is a back elevational view thereof;

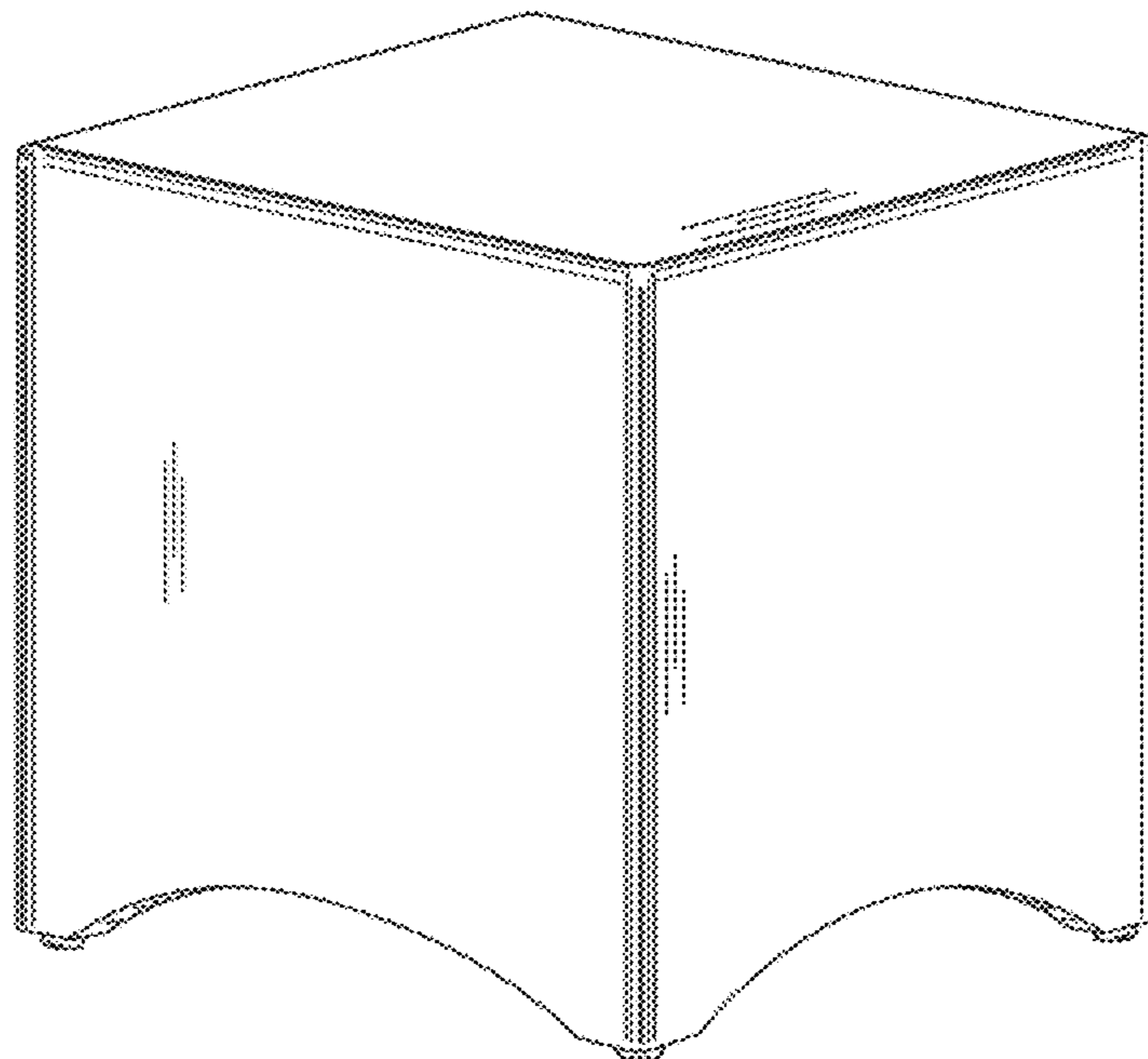
FIG. 7 is a bottom elevational view thereof;

FIG. 8 a perspective view of the right side, front, and bottom thereof; and,

FIG. 9 a perspective view of the right side, back, and top thereof.

The broken line showing on the drawing disclosure is for illustrative purposes only and forms no part of the claimed design.

**1 Claim, 9 Drawing Sheets**



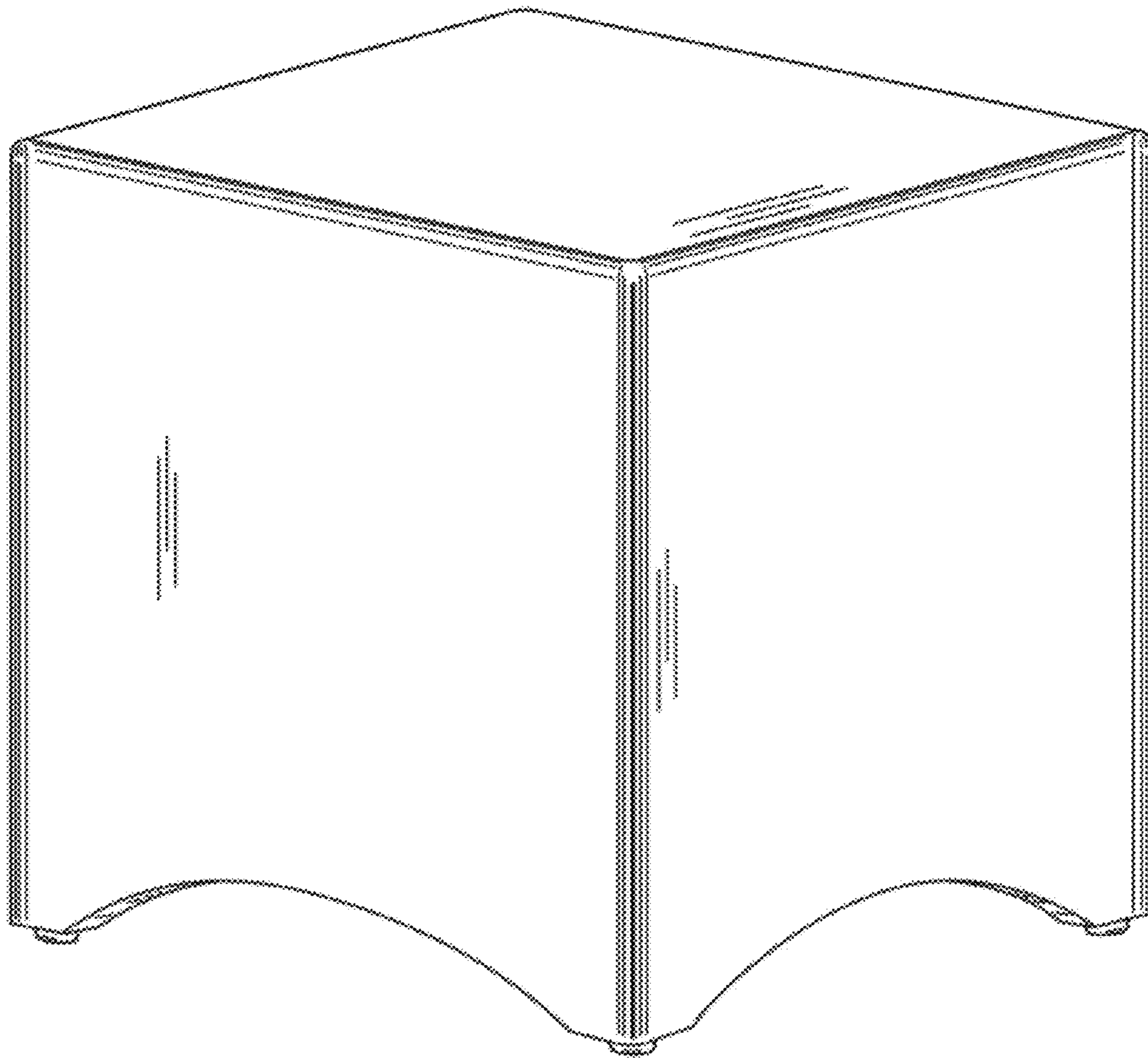


FIG. 1

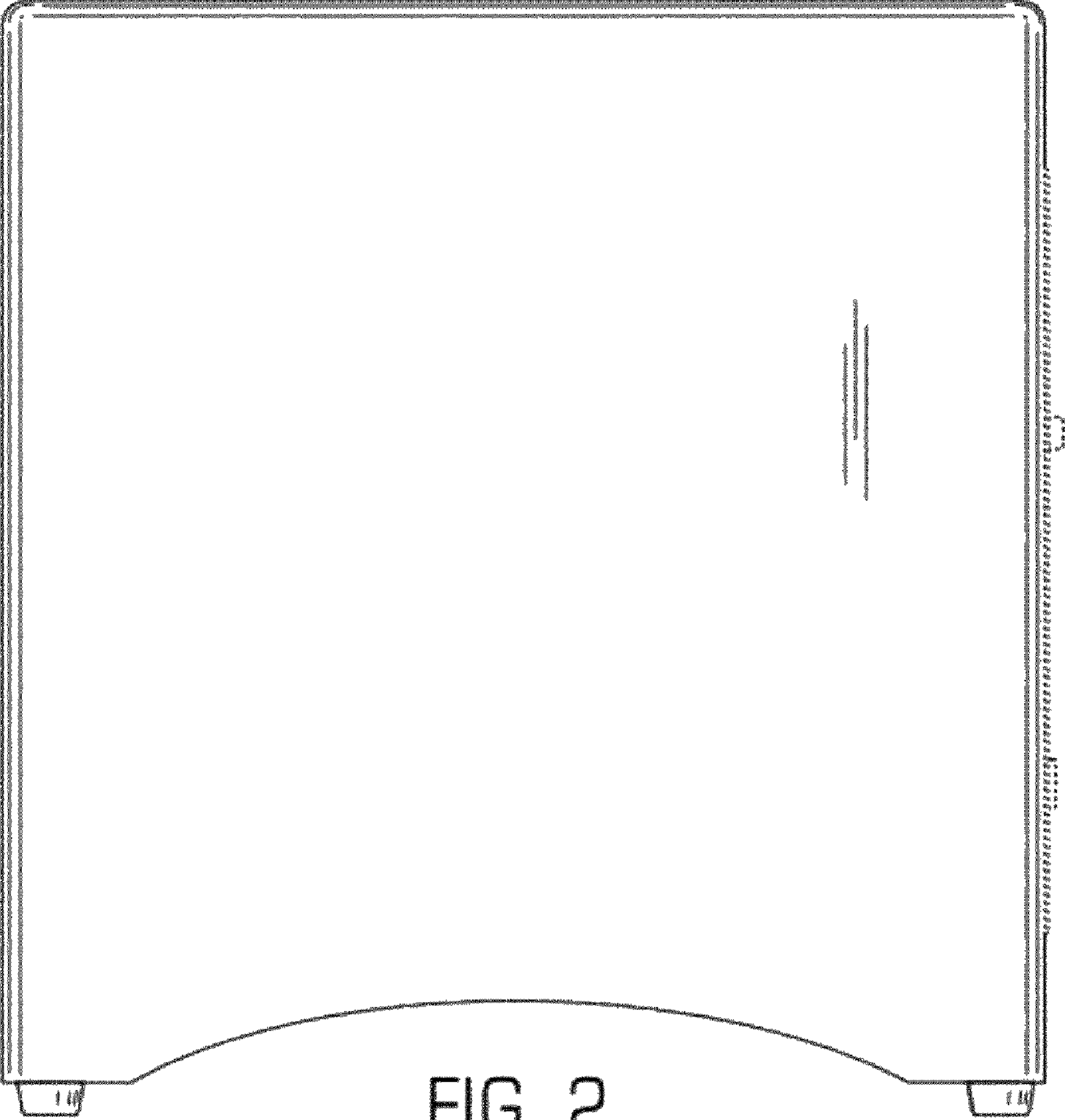


FIG. 2

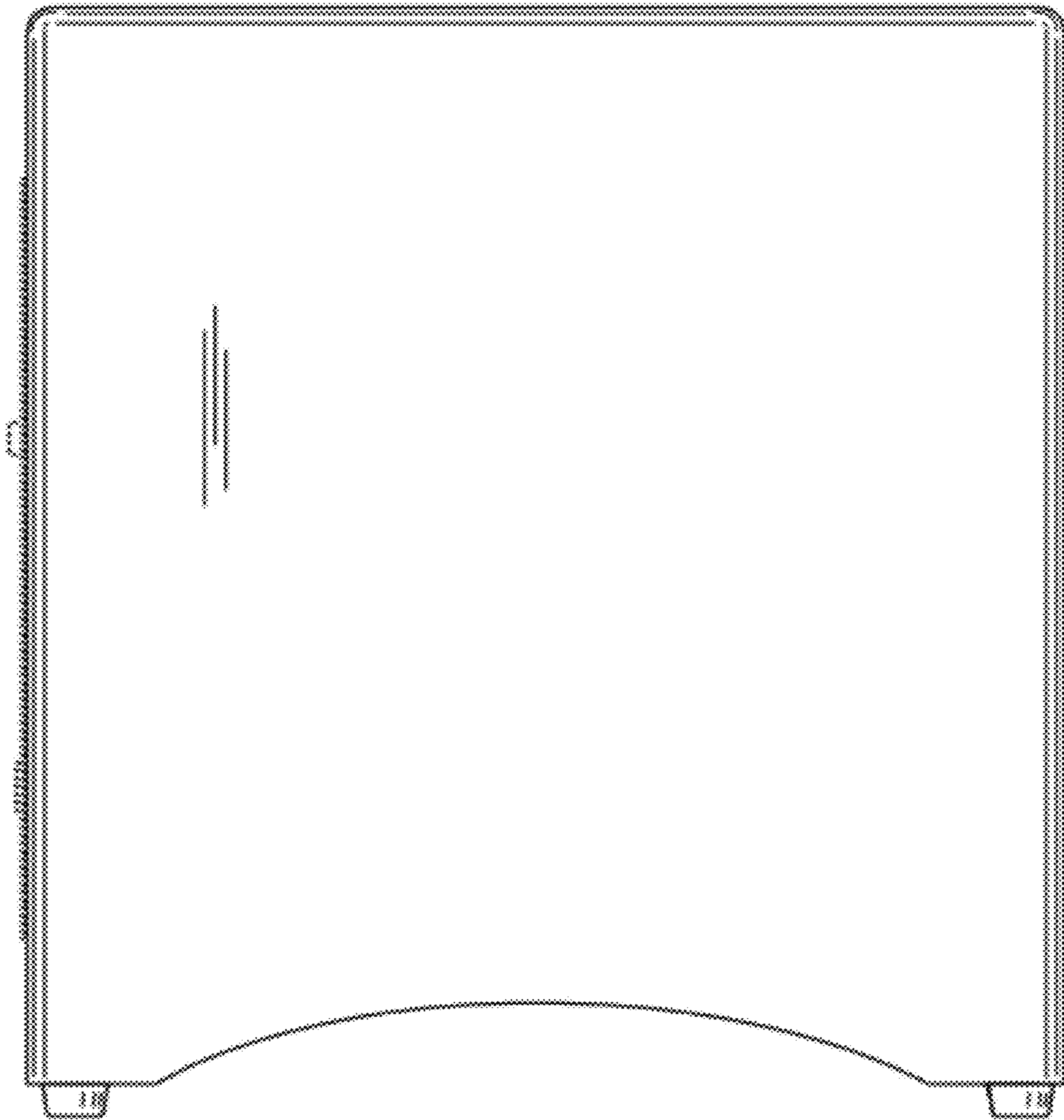


FIG. 3

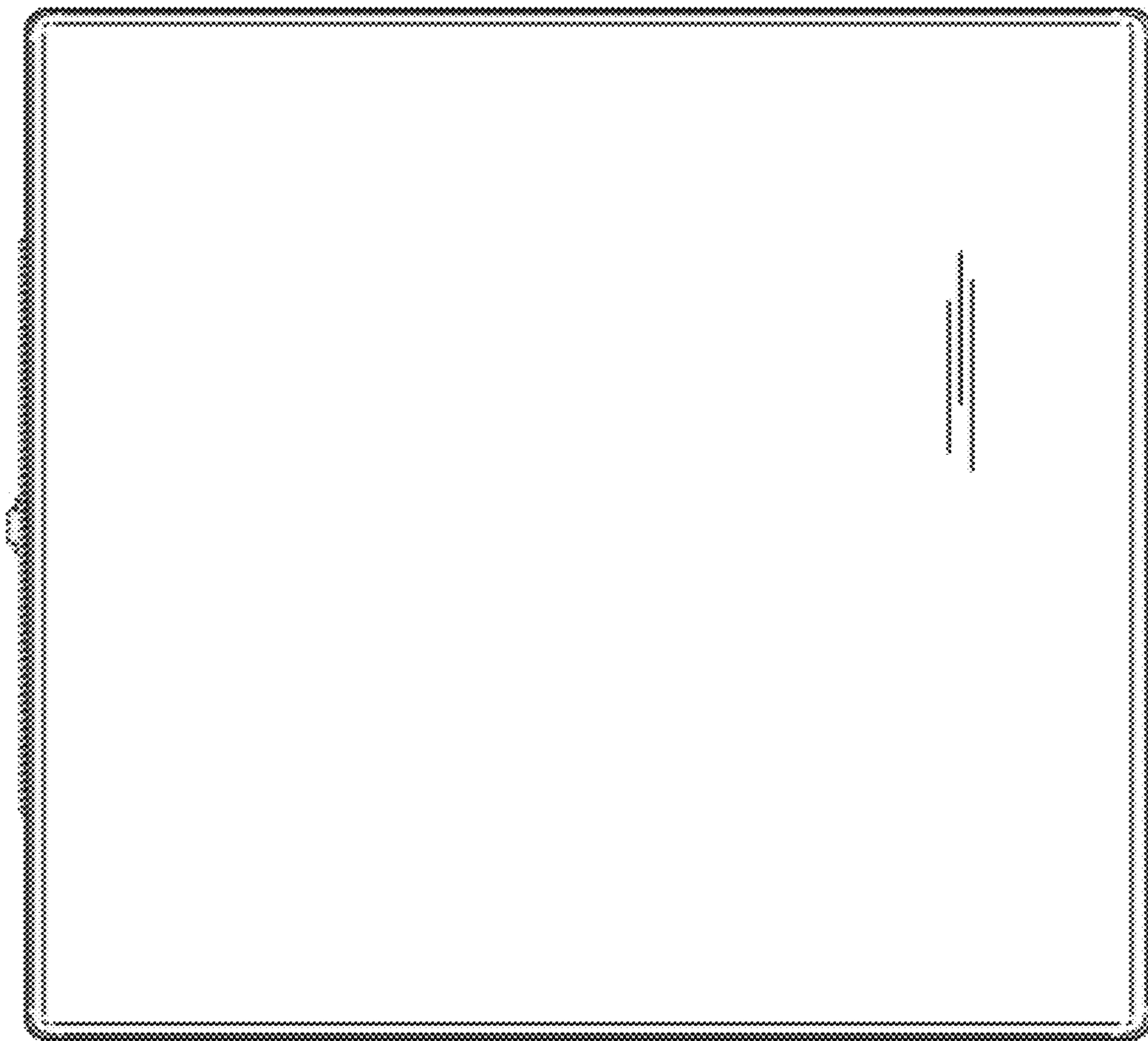


FIG. 4

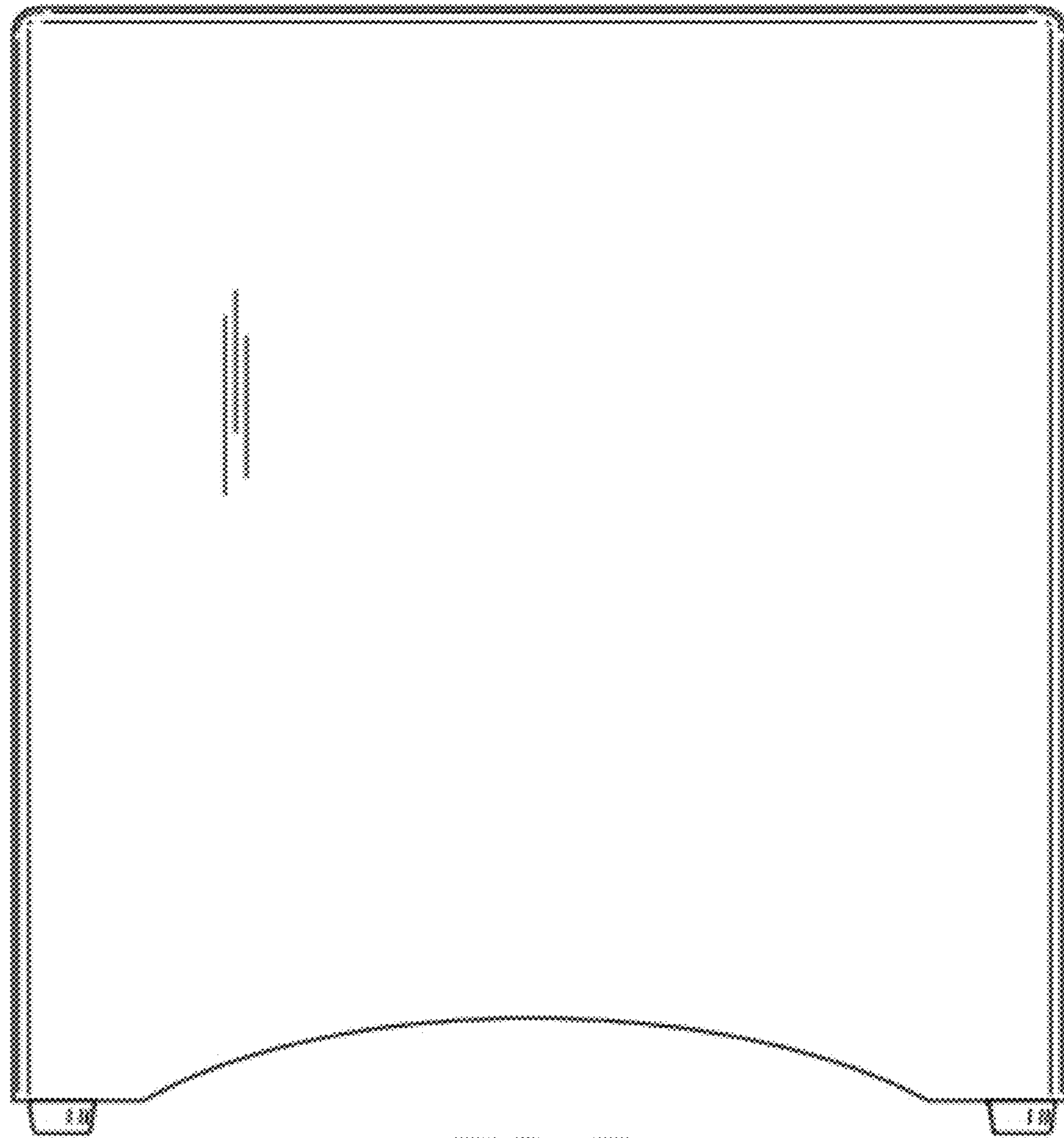


FIG. 5

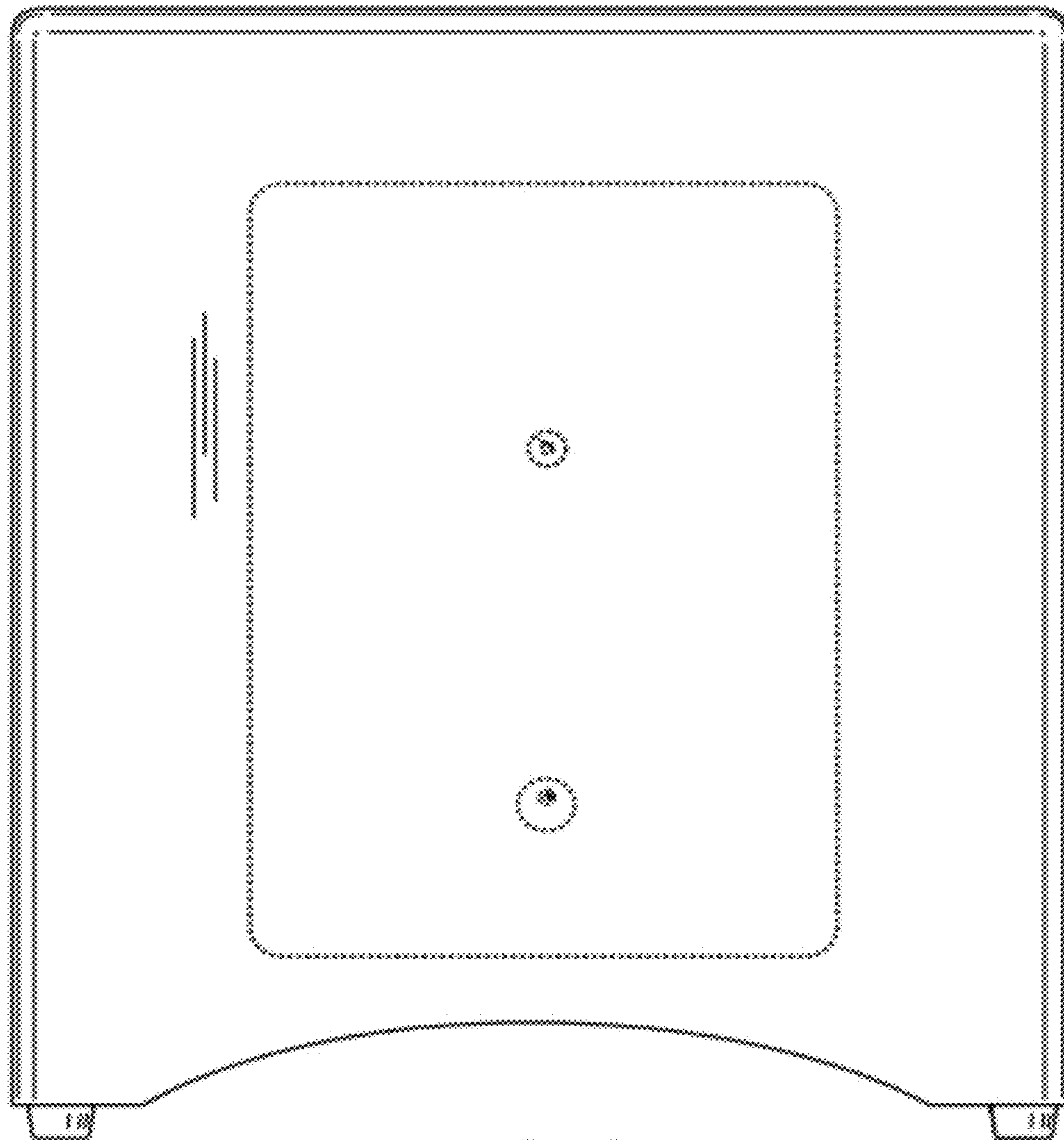


FIG. 6

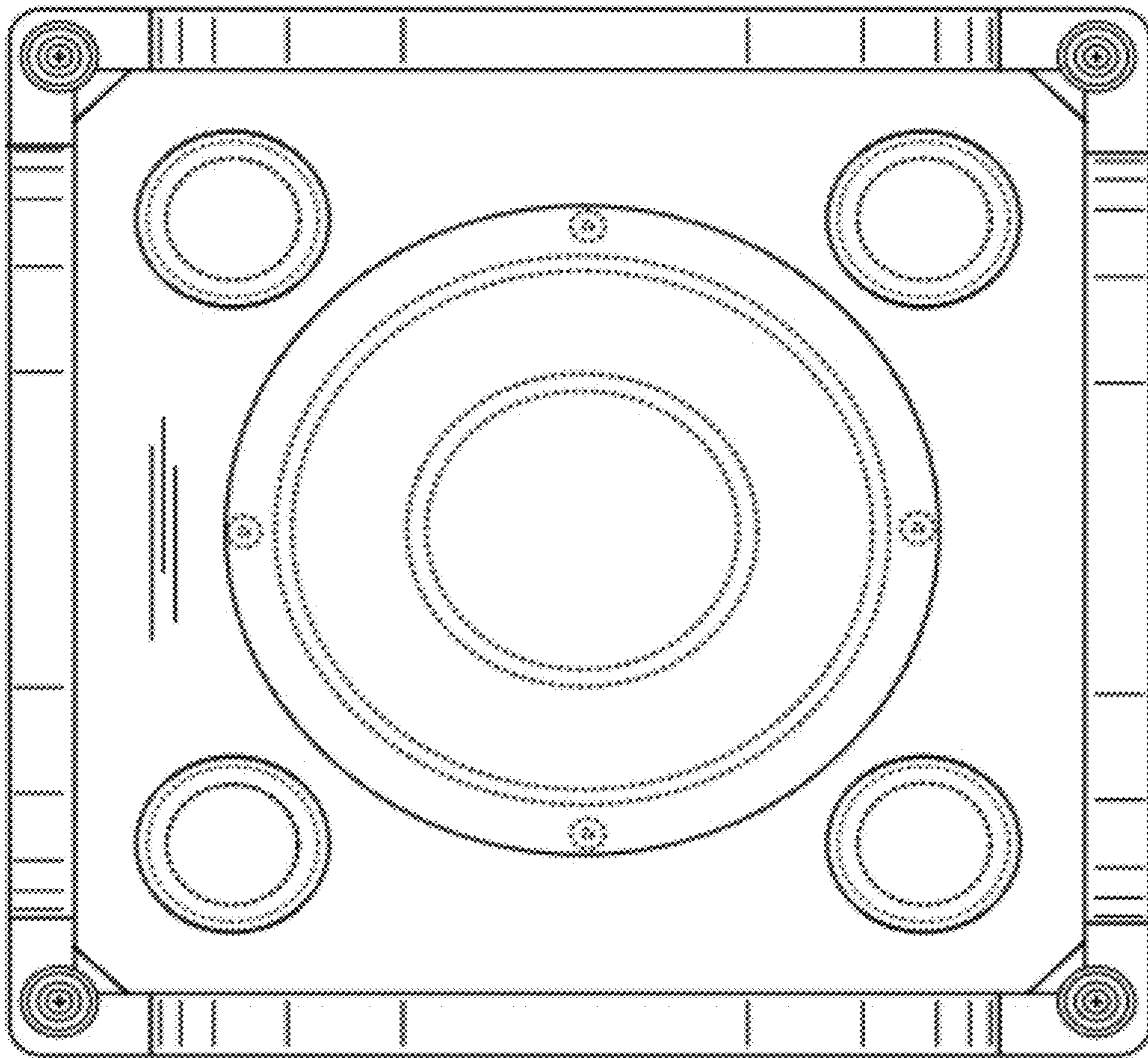


FIG. 7



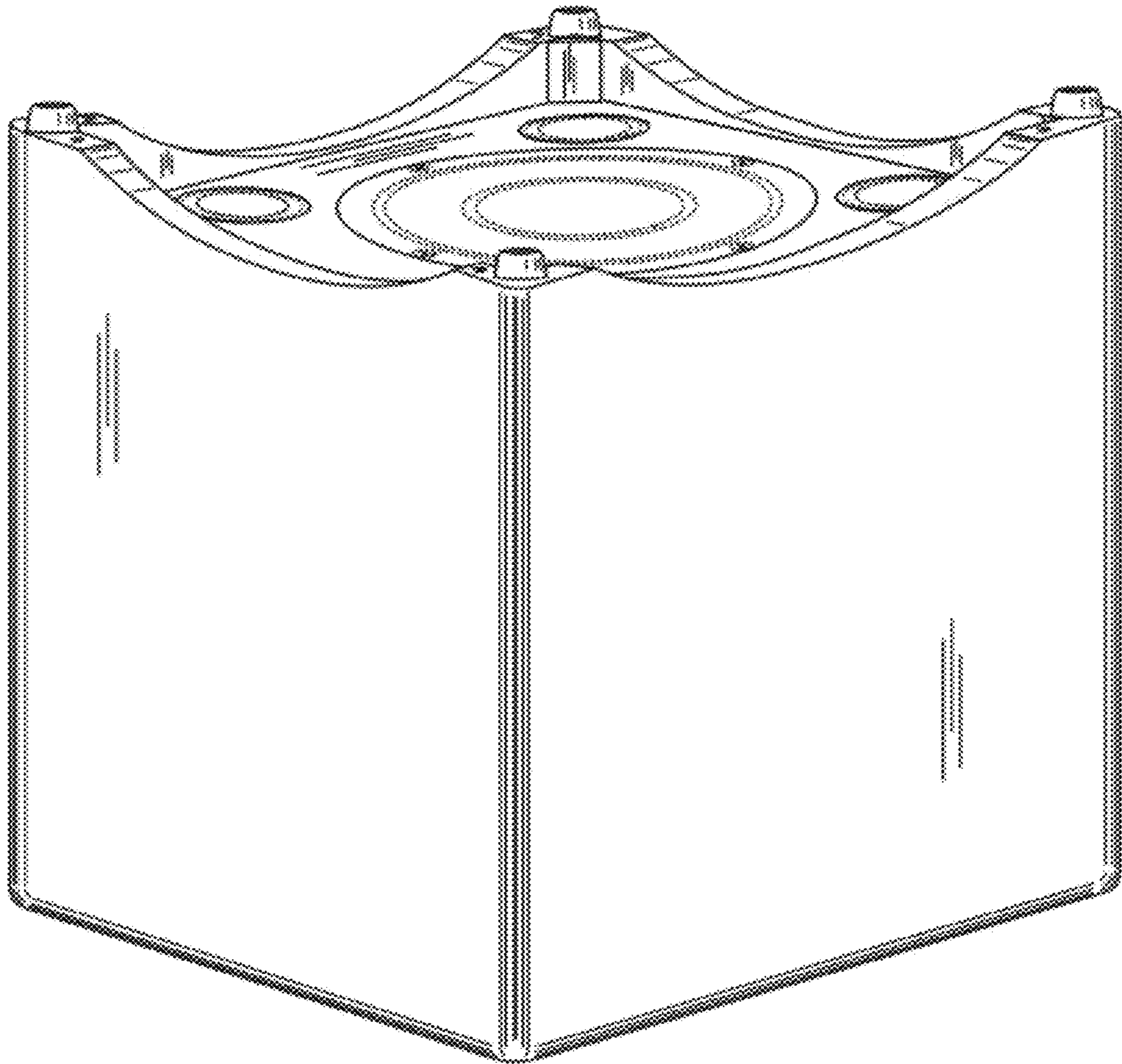


FIG. 8

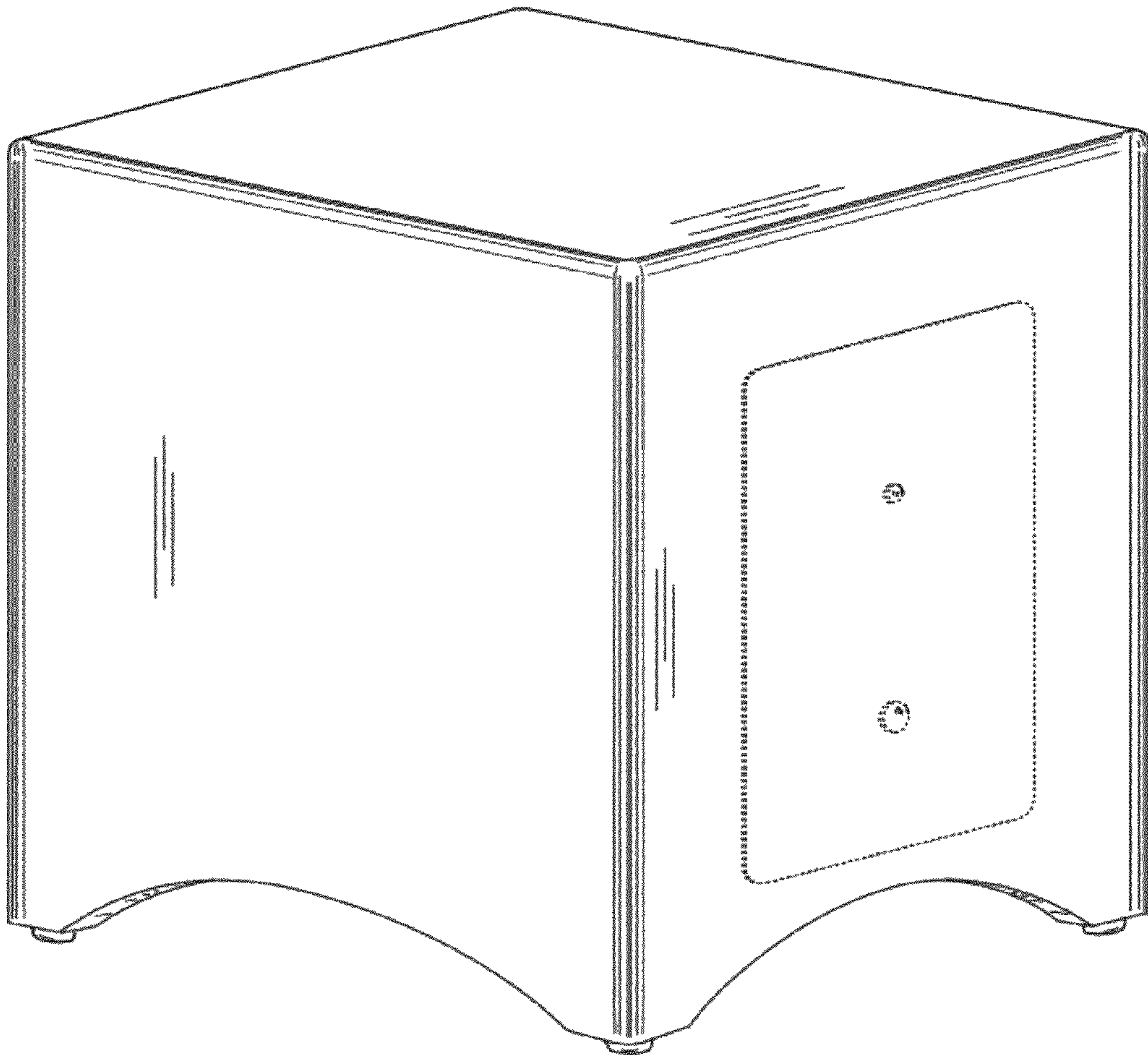


FIG. 9