



US00D657348S

(12) **United States Design Patent**
Shim et al.

(10) **Patent No.:** **US D657,348 S**
(45) **Date of Patent:** **** Apr. 10, 2012**

- (54) **SPEAKER**
- (75) Inventors: **Hyung-Sup Shim**, Seoul (KR);
Ho-Young Seoc, Kyunggi-do (KR);
Eun-Young Kim, Kyunggi-do (KR)
- (73) Assignee: **Samsung Electronics Co., Ltd.**, Suwon,
Kyunggi-Do (KR)
- (**) Term: **14 Years**
- (21) Appl. No.: **29/373,312**
- (22) Filed: **Mar. 29, 2011**
- (30) **Foreign Application Priority Data**
Dec. 6, 2010 (KR) 30-2010-0052643
- (51) **LOC (9) Cl.** **14-01**
- (52) **U.S. Cl.** **D14/214**
- (58) **Field of Classification Search** D14/204,
D14/210–216, 172; 181/143–144, 147–148,
181/150–153, 157, 198–199; 381/300–303,
381/306, 332–333, 336, 345, 361–364, 386–388
See application file for complete search history.

D583,801 S	12/2008	Son et al.	
D584,286 S	1/2009	Kim	
D584,288 S	1/2009	Kim	
D586,781 S	2/2009	Kim	
D586,782 S	2/2009	Kim	
D586,785 S	2/2009	Kim	
D588,103 S	3/2009	Lee et al.	
D588,104 S	3/2009	Lee et al.	
D588,576 S	3/2009	Son et al.	
D591,269 S	4/2009	Kim et al.	
D593,068 S	5/2009	Kim et al.	
D593,069 S	5/2009	Son et al.	
D598,899 S	8/2009	Tkachuk	
D599,327 S	* 9/2009	Hansen D14/214
D607,436 S	* 1/2010	Khoo et al. D14/215
D615,963 S	5/2010	Cho et al.	
D624,047 S	9/2010	Kim	
D624,048 S	9/2010	Kim	
D628,556 S	12/2010	Lee et al.	
D629,388 S	12/2010	Son et al.	
D631,868 S	2/2011	Chung	
D634,302 S	3/2011	Chung et al.	

* cited by examiner

Primary Examiner — Nanda Bondade
(74) *Attorney, Agent, or Firm* — Flynn, Thiel, Boutell & Tanis, P.C.

(57) **CLAIM**
The ornamental design for a speaker, as shown and described.

(56) **References Cited**

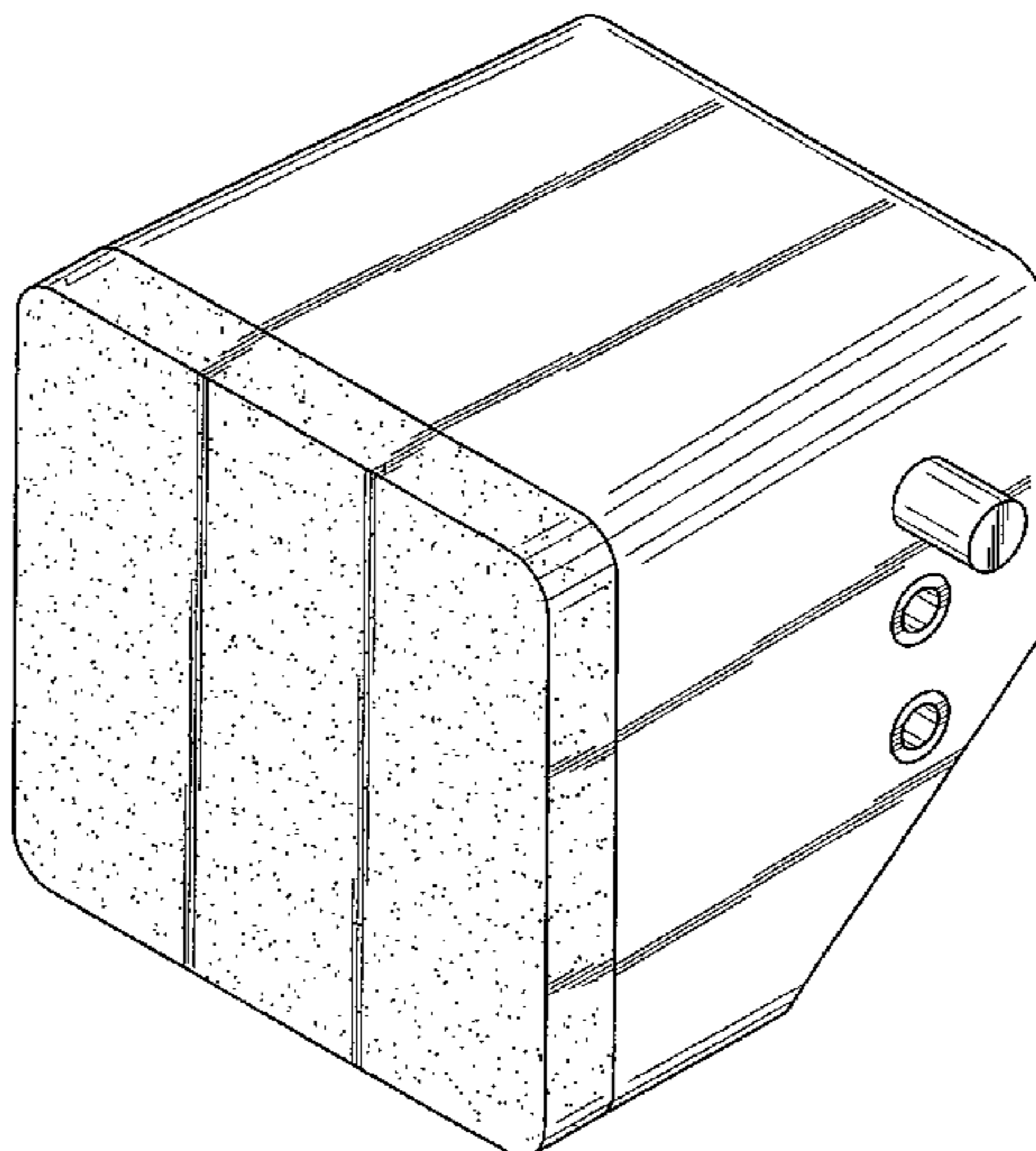
U.S. PATENT DOCUMENTS

D471,893 S	3/2003	Jung
D537,072 S	2/2007	Kim et al.
D540,780 S	4/2007	Kim
D545,300 S	6/2007	Hong et al.
D548,222 S	8/2007	Kim
D551,655 S	9/2007	Kim
D560,209 S	1/2008	Kim et al.
D560,211 S	1/2008	Kim et al.
D570,333 S	6/2008	Cho
D570,828 S	6/2008	Cho
D571,785 S	6/2008	Kim
D571,786 S	6/2008	Cho
D573,584 S	7/2008	Kim
D579,003 S	10/2008	Kim et al.
D579,915 S	11/2008	Yeo

DESCRIPTION

FIG. 1 is a top front perspective view of a speaker showing our new design;
FIG. 2 is a front elevational view thereof;
FIG. 3 is a rear elevational view thereof;
FIG. 4 is a left side elevational view thereof;
FIG. 5 is a right side elevational view thereof;
FIG. 6 is a top plan view thereof; and,
FIG. 7 is a bottom plan view thereof.
The broken lines depict environmental subject matter only and form no part of the claimed design.

1 Claim, 3 Drawing Sheets



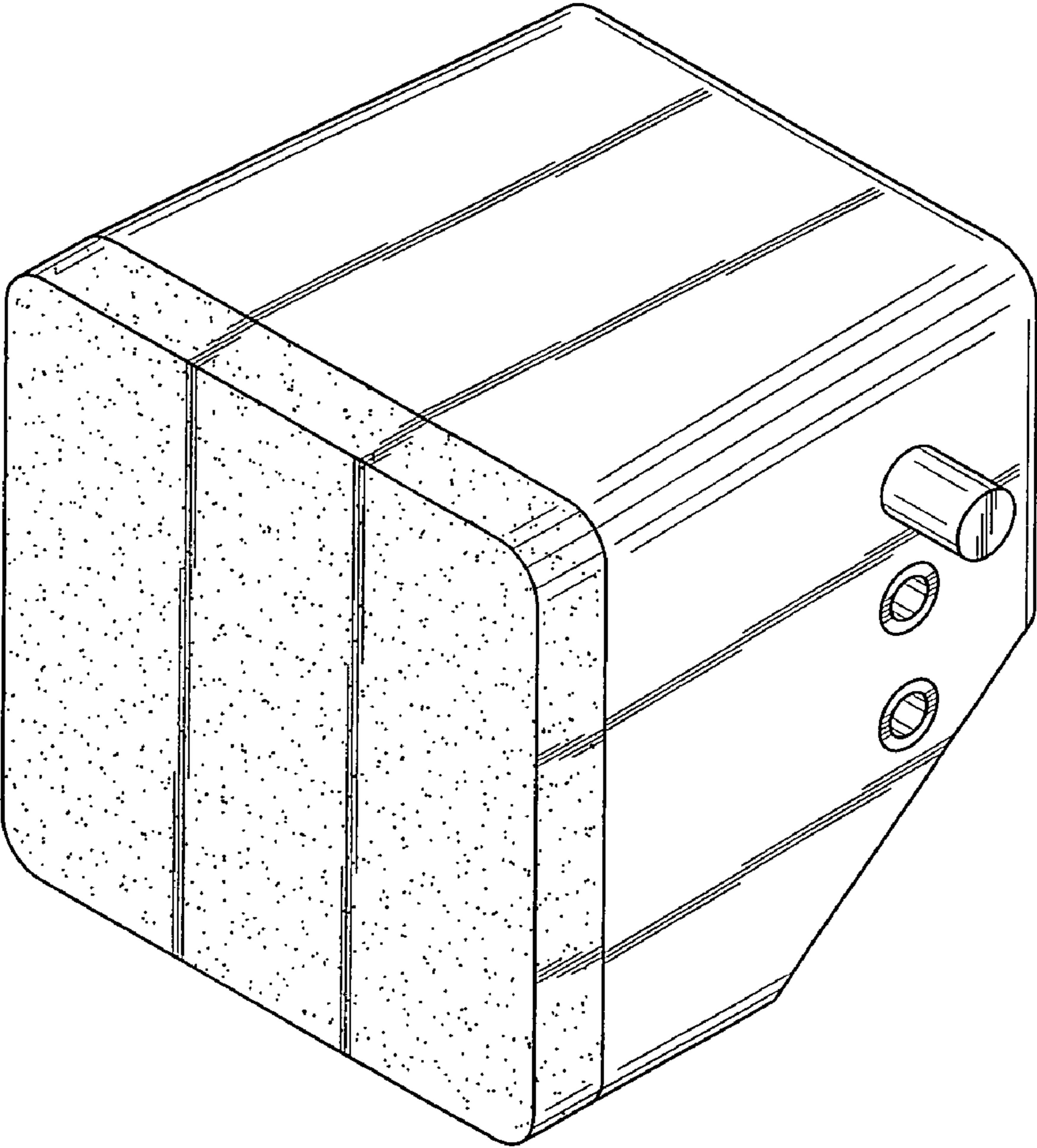


FIG.1

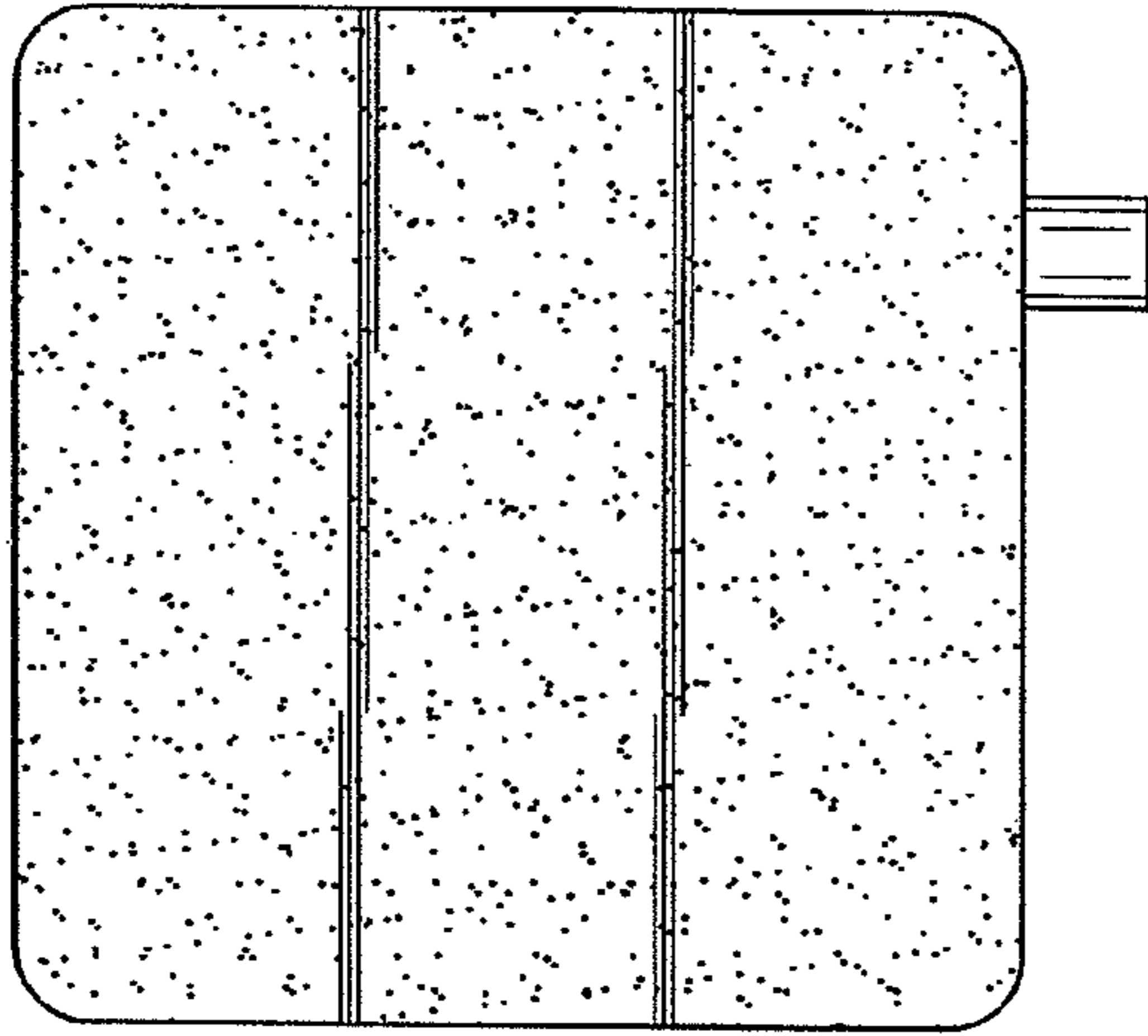


FIG. 2

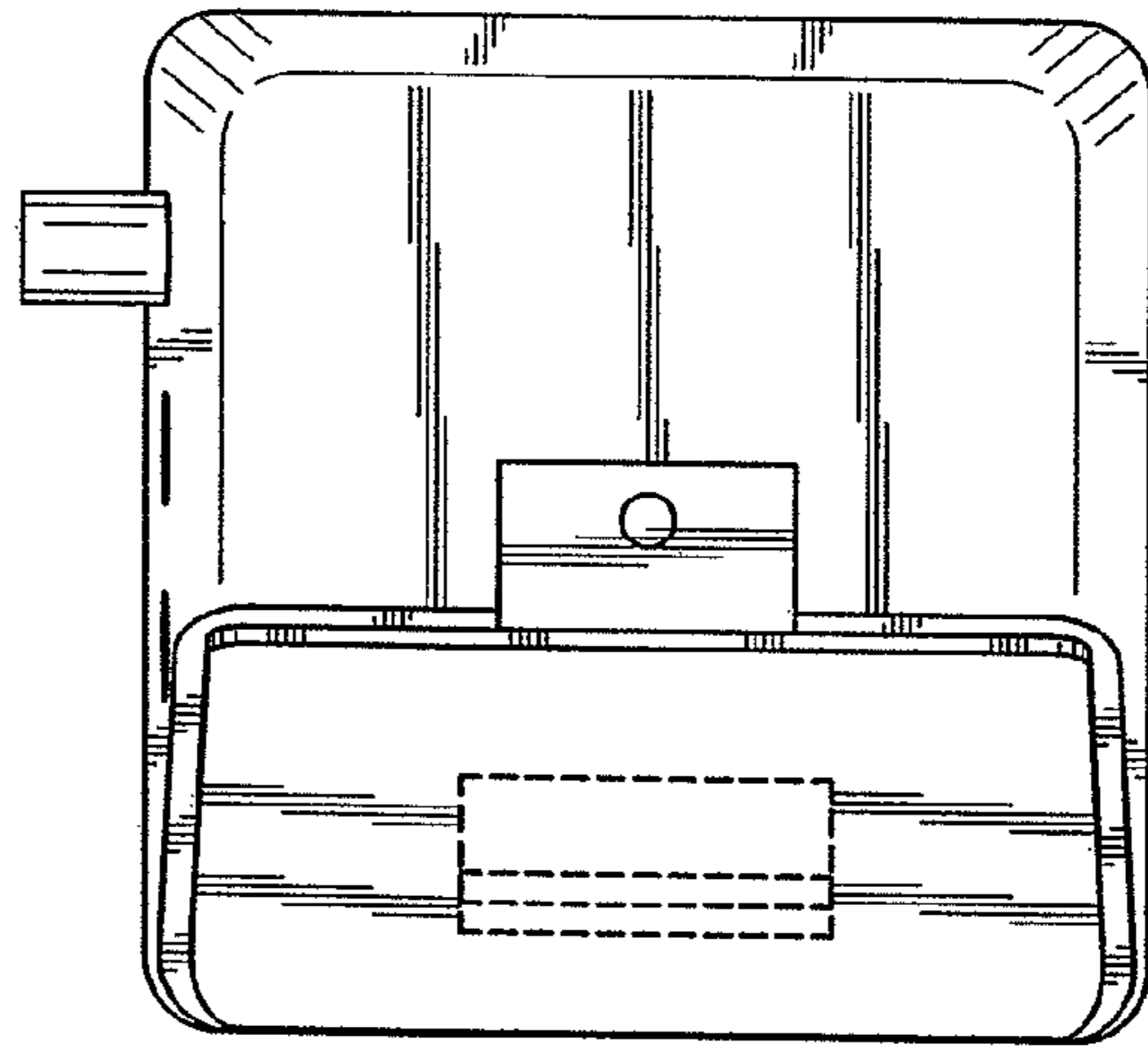


FIG. 3

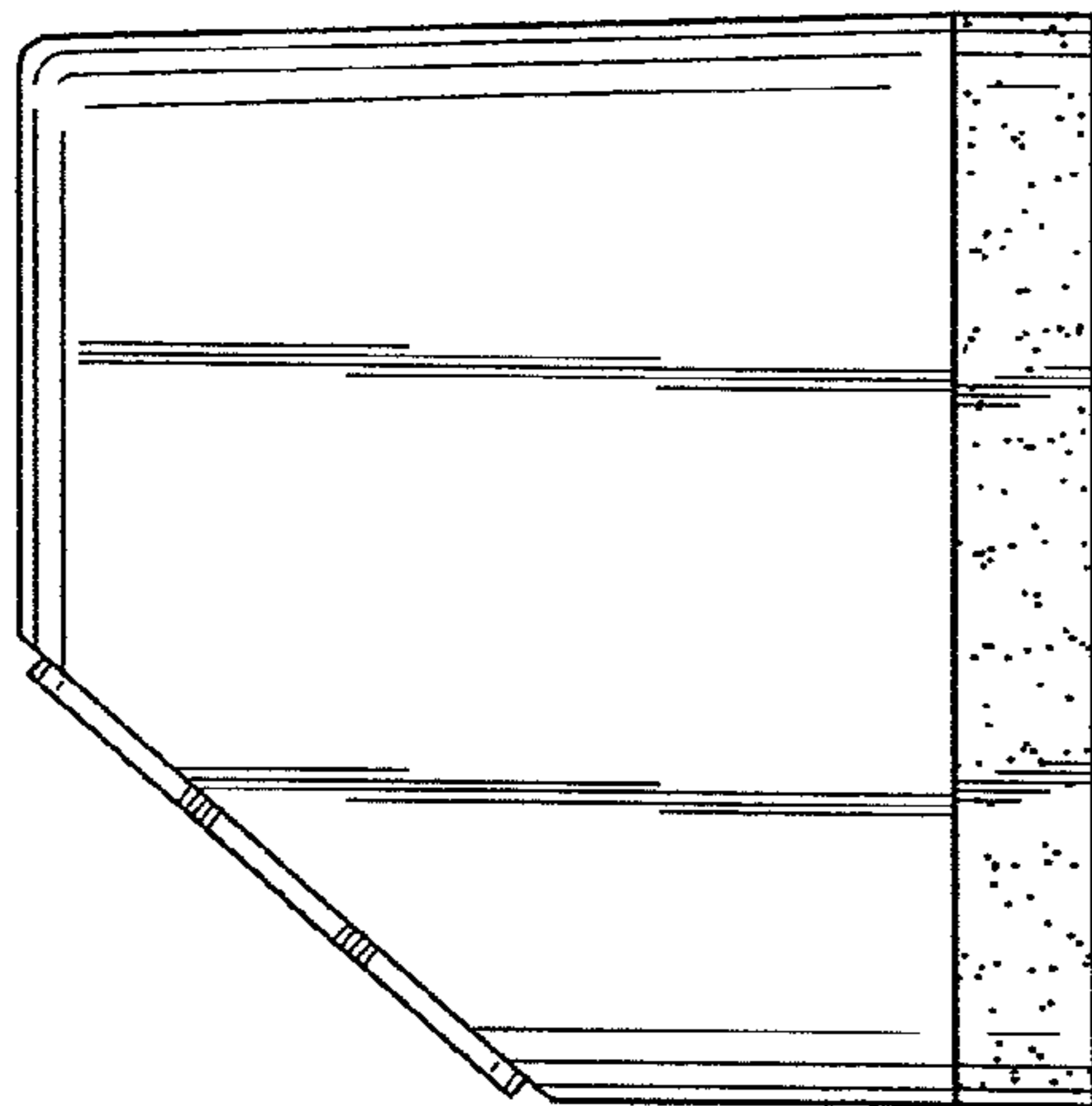


FIG. 4

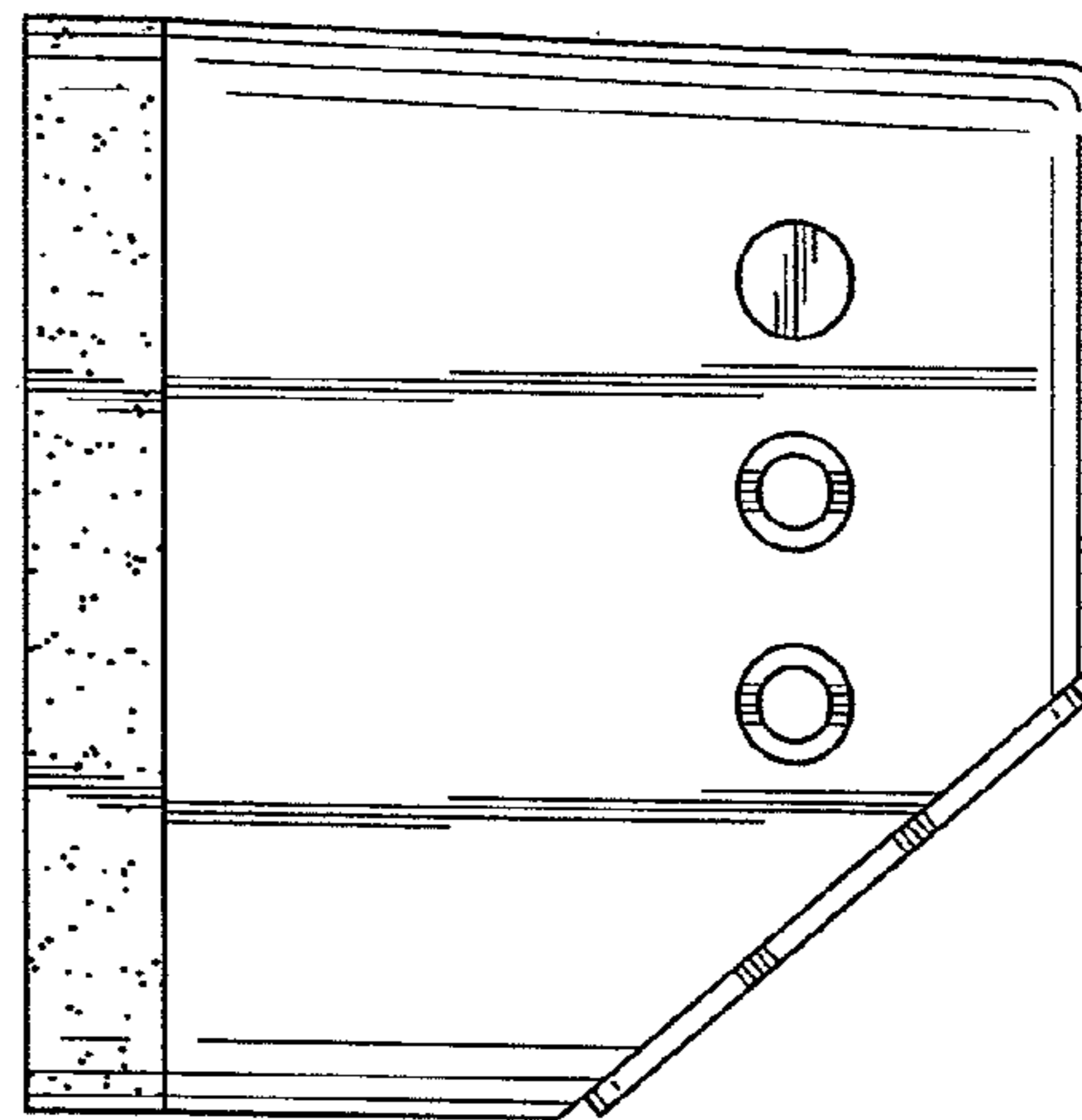


FIG. 5

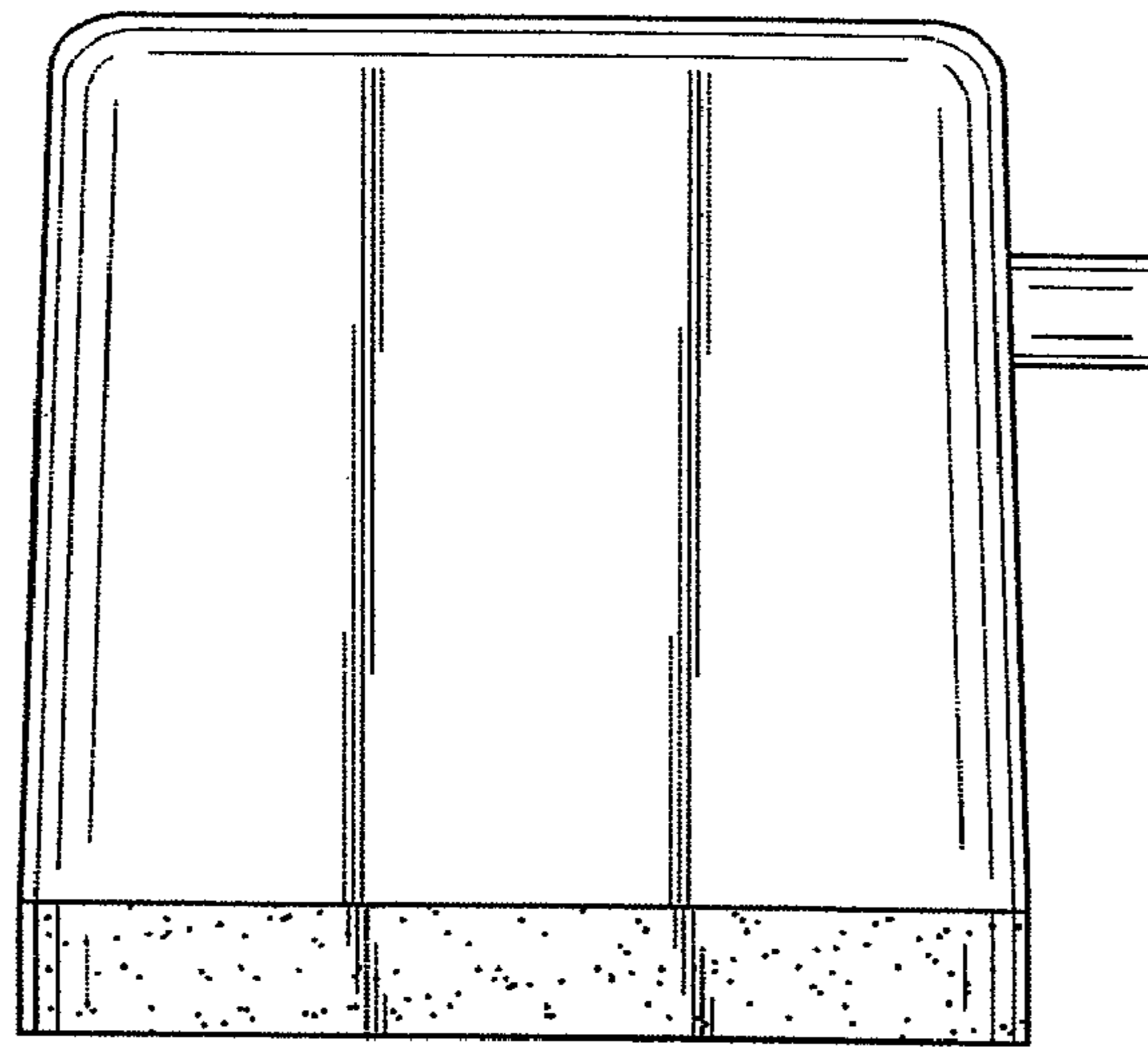


FIG. 6

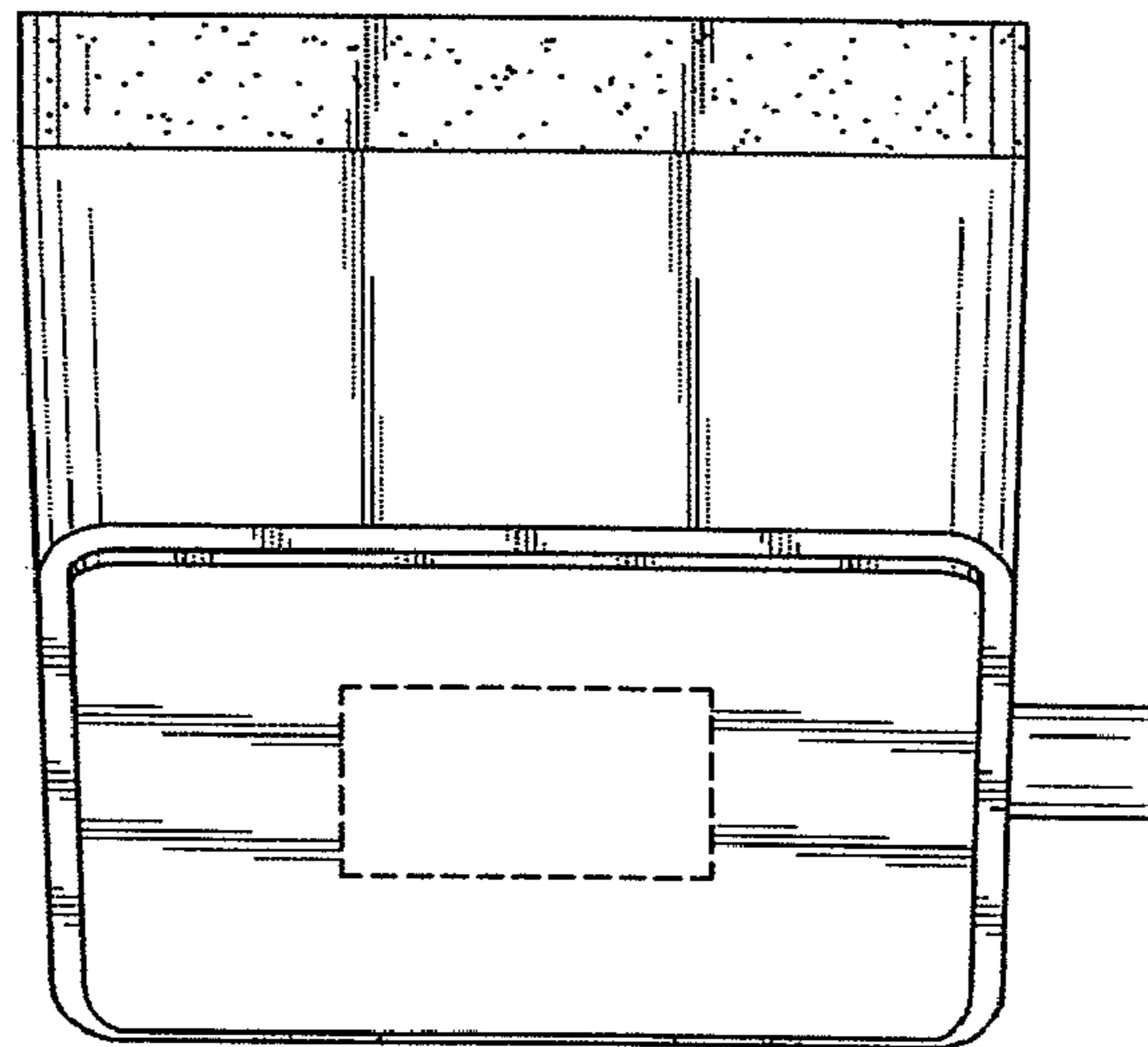


FIG. 7