



US00D657344S

(12) **United States Design Patent**  
**Brunner et al.**

(10) **Patent No.:** **US D657,344 S**  
(45) **Date of Patent:** **\*\* Apr. 10, 2012**

(54) **AUDIO LISTENING SYSTEM**

(75) Inventors: **Robert Brunner**, San Francisco, CA (US); **Gregoire Vandebussche**, San Francisco, CA (US); **Chris Fruhauf**, San Anselmo, CA (US)

(73) Assignee: **Beats Electronics, LLC**, Santa Monica, CA (US)

(\*\*) Term: **14 Years**

(21) Appl. No.: **29/382,417**

(22) Filed: **Jan. 3, 2011**

(51) **LOC (9) Cl.** ..... **14-01**

(52) **U.S. Cl.** ..... **D14/205**

(58) **Field of Classification Search** ..... D14/205,  
D14/206, 223, 188, 203.5; 181/129, 130,  
181/135; 379/430, 431, 433.01, 433.05;  
381/380, 381, 378; 128/864, 865, 866; 455/90.3,  
455/575.2

See application file for complete search history.

(56) **References Cited**

**U.S. PATENT DOCUMENTS**

1,066,511	A	7/1913	Markoff	
3,104,398	A	9/1963	Palmaer	
D244,300	S	5/1977	Besasio	
4,173,715	A	11/1979	Gosman	
D254,183	S *	2/1980	Doodson	D14/205
D254,876	S	5/1980	Reitenga	
4,634,816	A	1/1987	O'Malley et al.	
D313,092	S	12/1990	Nilsson	
5,018,599	A	5/1991	Dohi et al.	
5,035,005	A	7/1991	Hung	
D328,074	S *	7/1992	Yamazaki et al.	D14/205
D328,461	S	8/1992	Daido et al.	
D351,172	S *	10/1994	Nakamura et al.	D14/205
D358,389	S *	5/1995	Isono	D14/205
D375,825	S	11/1996	Whidden	
D420,356	S	2/2000	Suzuki	
D422,592	S *	4/2000	Deguchi	D14/205

(Continued)

**FOREIGN PATENT DOCUMENTS**

GB 2072035 5/1998  
(Continued)

**OTHER PUBLICATIONS**

Office Action dated Dec. 10, 2010 for Russian Patent Application No. 2010501890.

(Continued)

*Primary Examiner* — Paula Greene

(74) *Attorney, Agent, or Firm* — Michael G. Kelber; Neal, Gerber & Eisenberg LLP

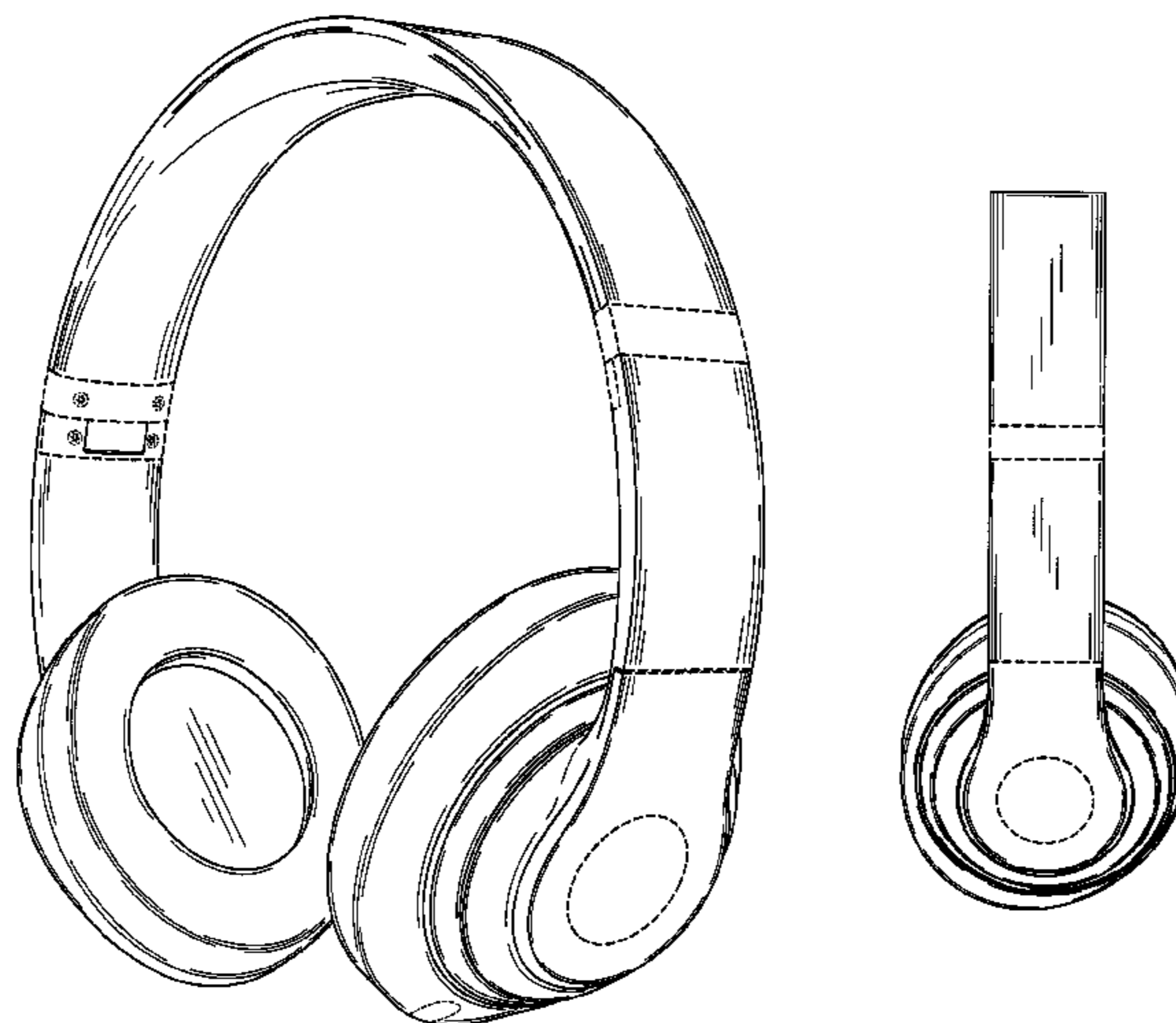
(57) **CLAIM**

The ornamental design for an audio listening system, as shown and described.

**DESCRIPTION**

FIG. 1 is a perspective view of the audio listening system in accordance with the present invention; FIG. 2 is a right side view of the embodiment of the audio listening system depicted in FIG. 1; FIG. 3 is a front view of the embodiment of the audio listening system depicted in FIG. 1; FIG. 4 is a back view of the embodiment of the audio listening system depicted in FIG. 1; FIG. 5 is a left side view of the embodiment of the audio listening system depicted in FIG. 1; FIG. 6 is a top plan view of the embodiment of the audio listening system depicted in FIG. 1; and, FIG. 7 is a bottom plan view of the embodiment of the audio listening system depicted in FIG. 1. The broken lines showing the environment in the Figures are for illustrative purposes only and form no part of the claimed design.

**1 Claim, 4 Drawing Sheets**



# US D657,344 S

Page 2

## U.S. PATENT DOCUMENTS

6,081,604 A 6/2000 Hikichi et al.  
D430,140 S 8/2000 Roman  
D457,512 S 5/2002 Yoneda  
6,449,806 B1 9/2002 Engelhard et al.  
D484,485 S 12/2003 Matsuoka  
6,654,966 B2 \* 12/2003 Rolla ..... 2/209  
D484,868 S 1/2004 Suzuki  
6,678,897 B2 1/2004 Lindgren  
D491,163 S 6/2004 Green  
D512,981 S 12/2005 Jacobsen et al.  
D532,407 S 11/2006 Motoishi  
D534,155 S 12/2006 Obata  
D534,156 S 12/2006 Obata  
7,172,052 B2 2/2007 Lenhard-Backhaus  
0,540,301 A1 4/2007 Obata  
D541,257 S \* 4/2007 Thursfield ..... D14/205  
D552,077 S \* 10/2007 Brunner et al. .... D14/205  
D557,684 S 12/2007 Pundsack et al.  
D563,382 S 3/2008 Wikel  
D563,995 S 3/2008 Deguchi et al.  
D582,890 S 12/2008 Koza et al.  
D585,871 S 2/2009 Lee  
D585,872 S 2/2009 Lee  
D588,098 S 3/2009 Kurihara  
D588,100 S 3/2009 Densho et al.  
D591,263 S 4/2009 Shimizu

D592,182 S 5/2009 Sanguinetti  
D592,640 S 5/2009 Tkachuk  
D593,995 S 6/2009 Shimizu  
D603,370 S 11/2009 Suzuki  
D603,371 S \* 11/2009 Boateng et al. .... D14/205  
D616,865 S 6/2010 Marchand et al.  
D617,769 S \* 6/2010 Birger ..... D14/205  
D625,705 S 10/2010 Ohari et al.  
D632,668 S \* 2/2011 Brunner et al. .... D14/205  
D635,959 S 4/2011 Hutchieson  
D637,176 S 5/2011 Brunner et al.  
D639,776 S \* 6/2011 Arimoto ..... D14/205  
D641,725 S \* 7/2011 Chong et al. .... D14/205

## FOREIGN PATENT DOCUMENTS

JP D1318386 12/2007

## OTHER PUBLICATIONS

Search Report dated Mar. 31, 2011 for Taiwan Patent Application No. 099303306.  
Unpublished copending U.S. Appl. No. 29/382,418, filed on Dec. 19, 2010.  
Unpublished copending U.S. Appl. No. 29/400,961, filed on Sep. 2, 2011.

\* cited by examiner

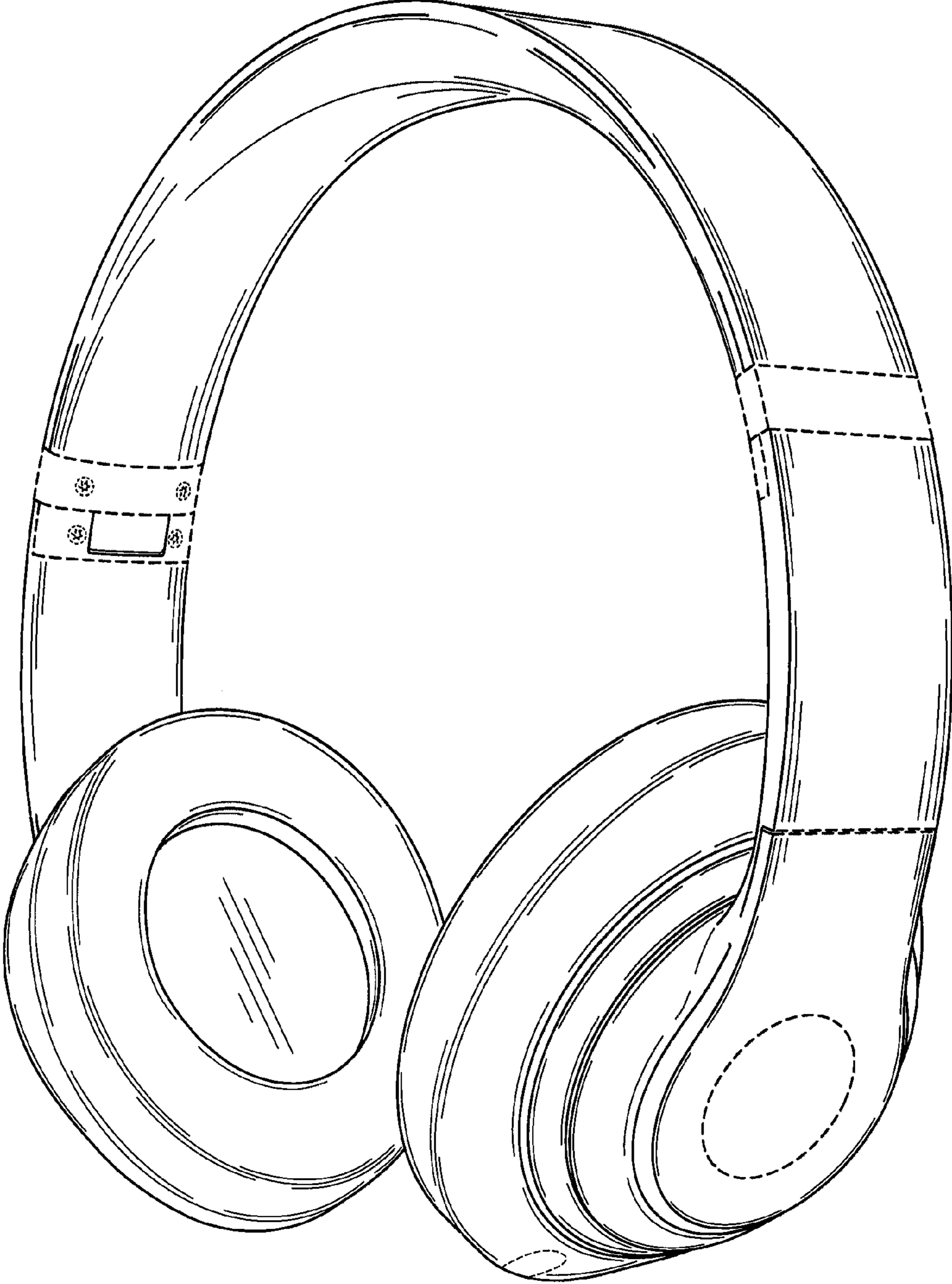


FIG. 1

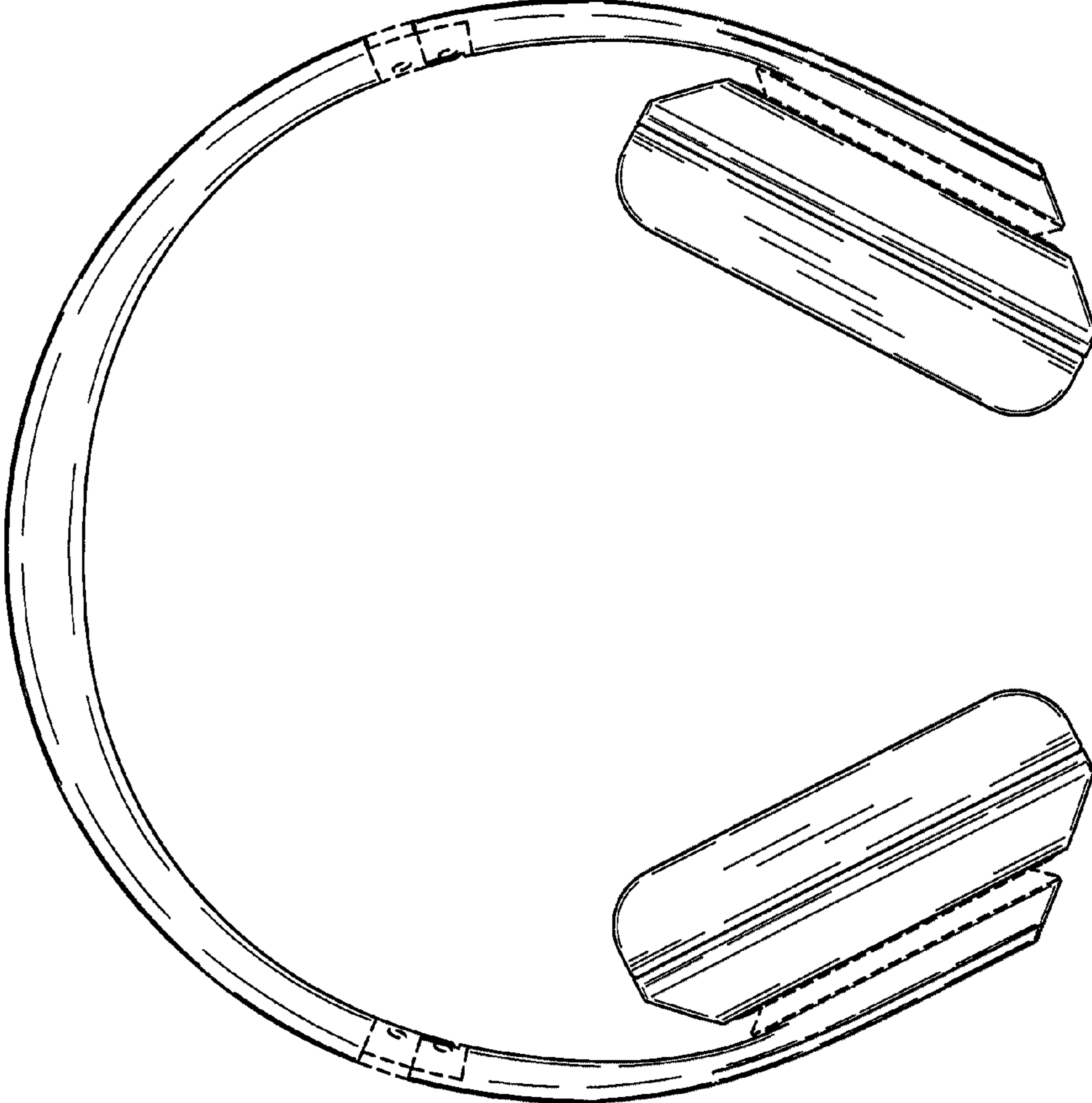


FIG. 3

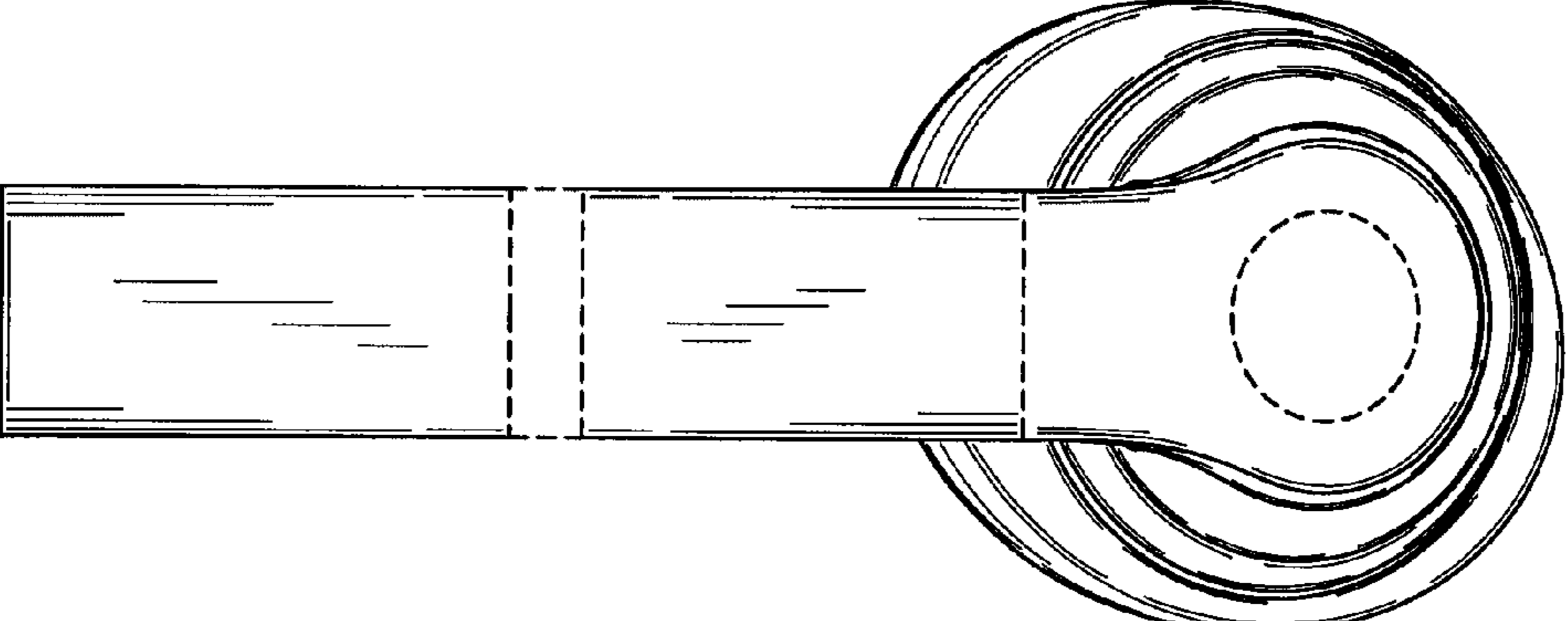


FIG. 2

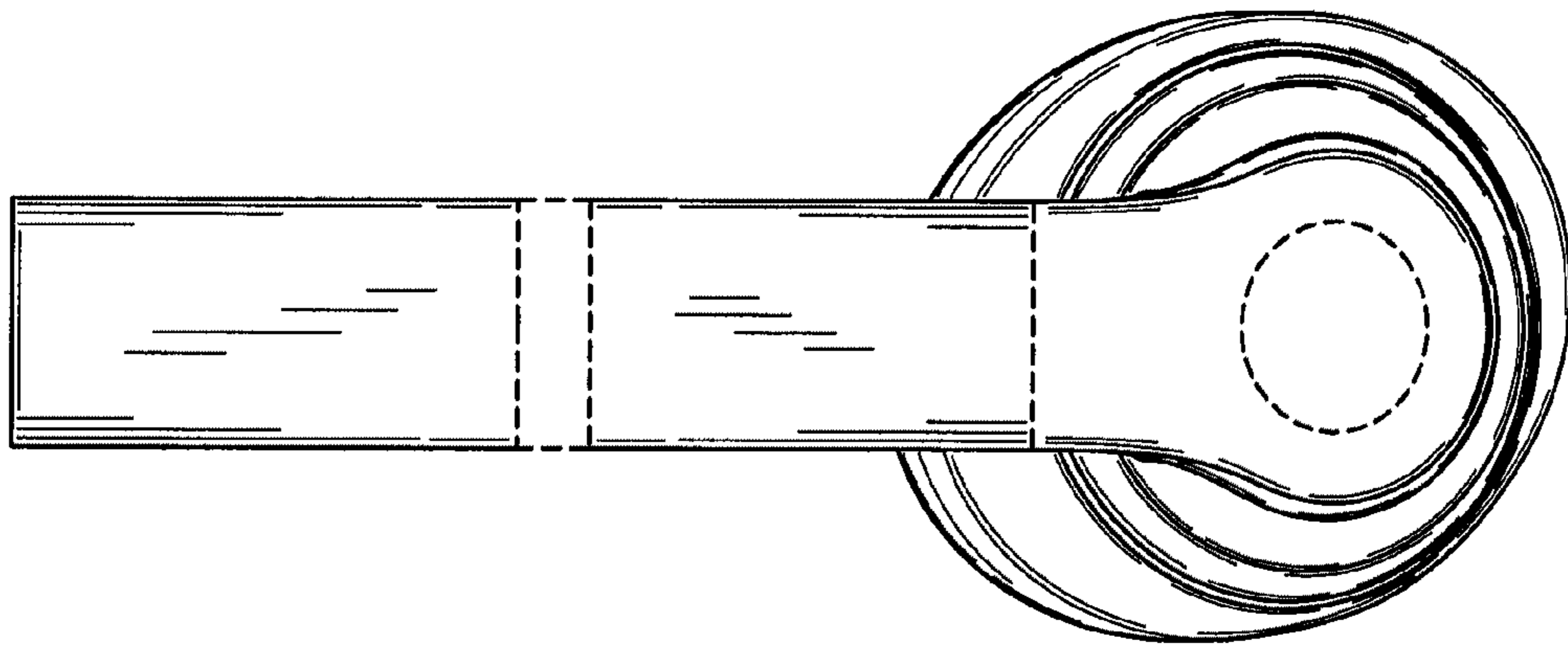


FIG. 5

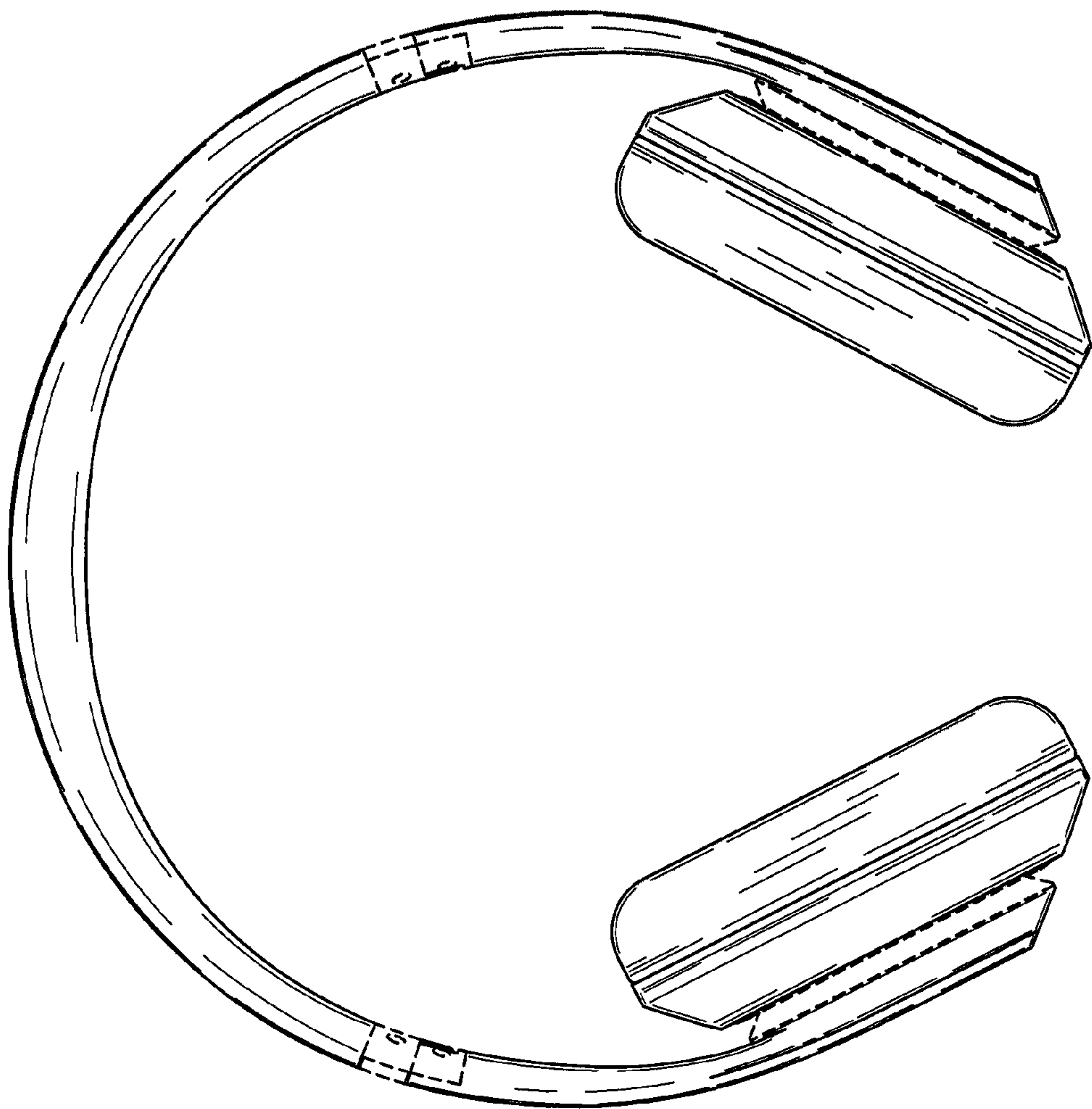


FIG. 4

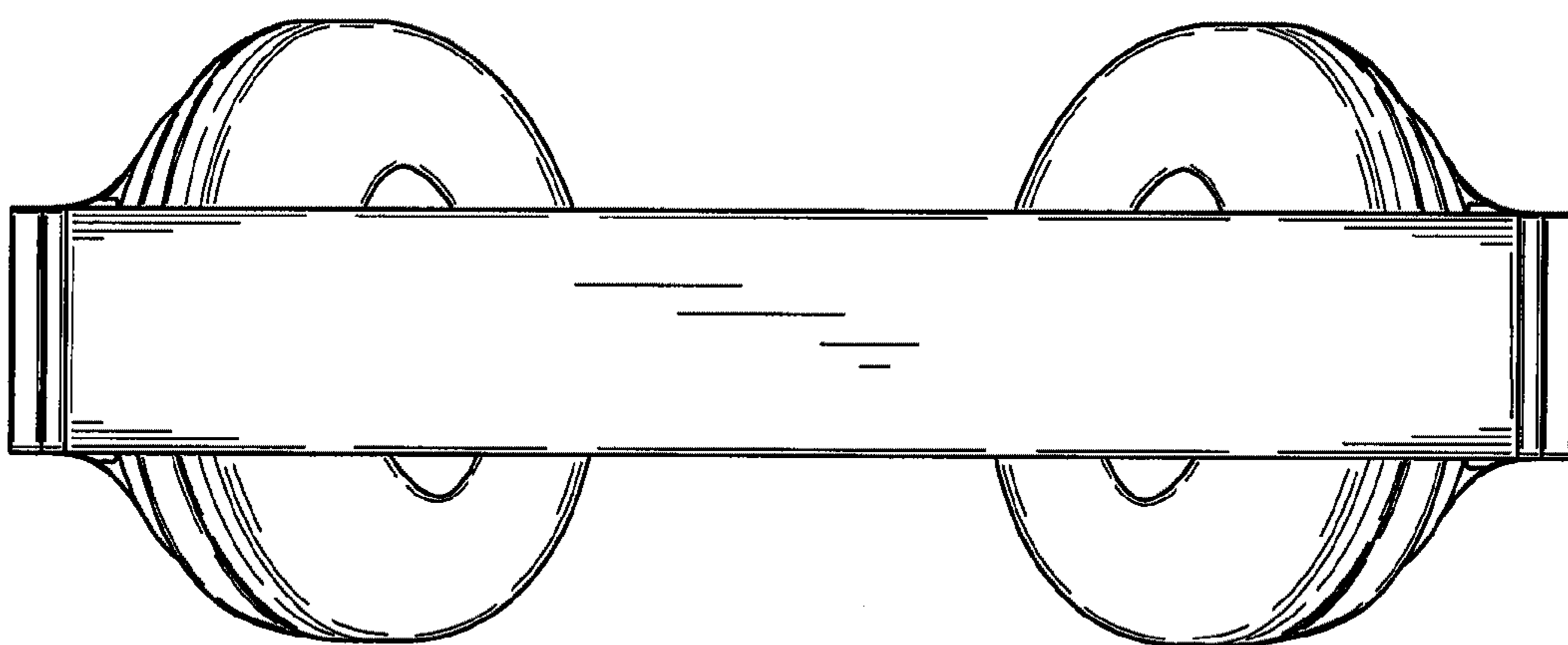


FIG. 6

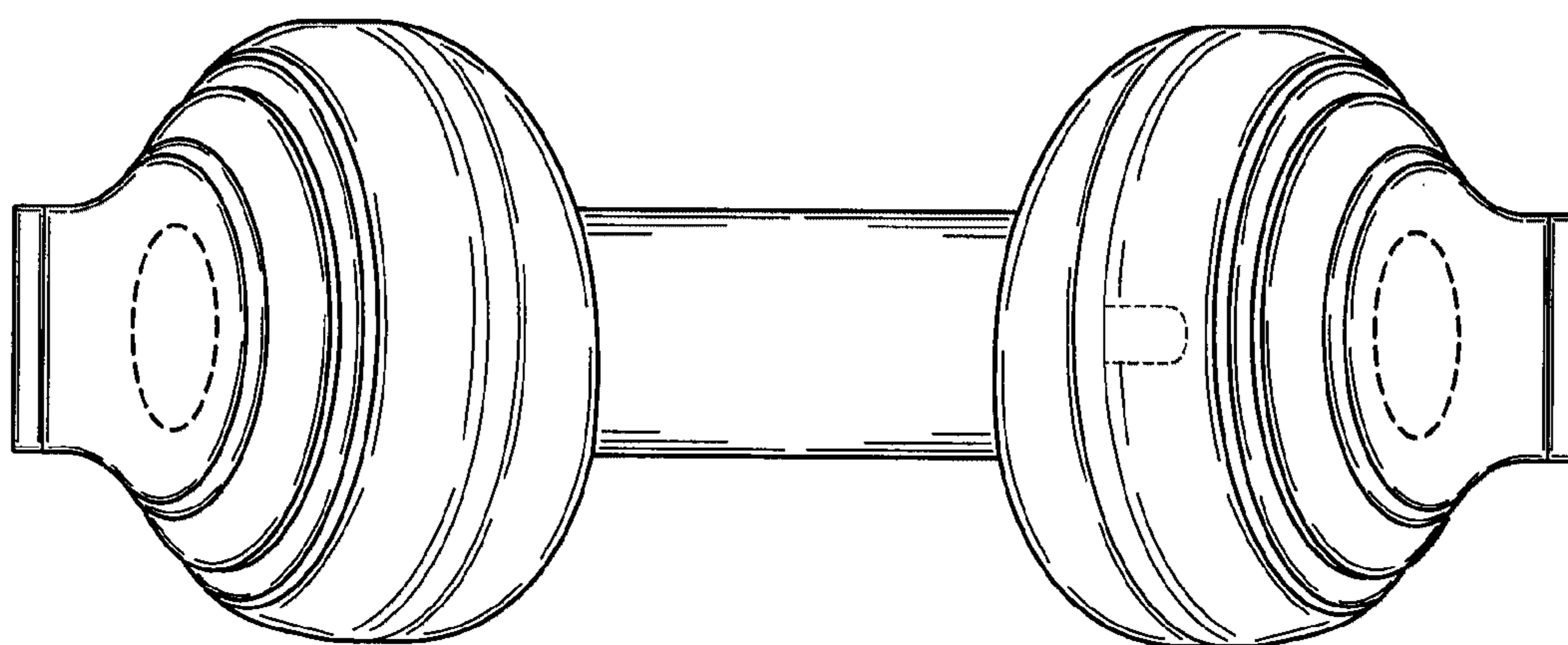


FIG. 7