



US00D657342S

(12) **United States Design Patent**
Cao et al.

(10) **Patent No.:** **US D657,342 S**
(45) **Date of Patent:** **** Apr. 10, 2012**

(54) **CLOCK RADIO**

(75) Inventors: **John Cao**, Boca Raton, FL (US); **Hilary Wood**, Deerfield Beach, FL (US);
Jennifer Hansard, Margate, FL (US)

(73) Assignee: **Sunbeam Products, Inc.**, Boca Raton, FL (US)

(**) Term: **14 Years**

(21) Appl. No.: **29/397,801**

(22) Filed: **Jul. 21, 2011**

(51) **LOC (9) Cl.** **14-01**

(52) **U.S. Cl.** **D14/171**

(58) **Field of Classification Search** D14/137,
D14/155, 168, 170, 171, 188, 189, 193-198,
D14/203.1-203.8, 204, 208, 209.1, 210, 212,
D14/214, 217, 434, 496; D10/2; 312/7.1;
369/6-12; 370/342-344; 455/90.1-90.3,
455/344-355

See application file for complete search history.

(56) **References Cited**

U.S. PATENT DOCUMENTS

D491,937 S	*	6/2004	Retourne et al.	D14/356
D545,810 S	*	7/2007	Hussaini et al.	D14/168
D553,611 S	*	10/2007	Gan	D14/214
D554,104 S	*	10/2007	Kurihara	D14/214
D556,732 S	*	12/2007	Chan	D14/168

D556,737 S	*	12/2007	Oh	D14/214
D557,251 S	*	12/2007	Nohara	D14/194
D577,002 S	*	9/2008	Kurihara	D14/170
D596,156 S	*	7/2009	Morisawa	D14/209.1
D597,073 S	*	7/2009	Khoo et al.	D14/209.1
D599,782 S	*	9/2009	Tse	D14/209.1
D614,200 S	*	4/2010	Skurdal	D14/496
D620,921 S	*	8/2010	Skurdal	D14/209.1
D639,271 S	*	6/2011	Xiao	D14/209.1
D639,275 S	*	6/2011	Silvera	D14/209.1

* cited by examiner

Primary Examiner — Stella M. Reid

Assistant Examiner — Keli L Hill

(74) *Attorney, Agent, or Firm* — Seth M. Blum

(57) **CLAIM**

The ornamental design for a clock radio, as shown and described.

DESCRIPTION

FIG. 1 is a front left perspective view of the clock radio; FIG. 2 is a front view thereof; FIG. 3 is a rear perspective view thereof; FIG. 4 is a top plan view thereof; FIG. 5 is a bottom plan view thereof; FIG. 6 is a left side view thereof; and, FIG. 7 is a right side view thereof.

The broken lines shown are included for the purpose of illustrating the unclaimed portions of the article and form no part of the claim.

1 Claim, 6 Drawing Sheets

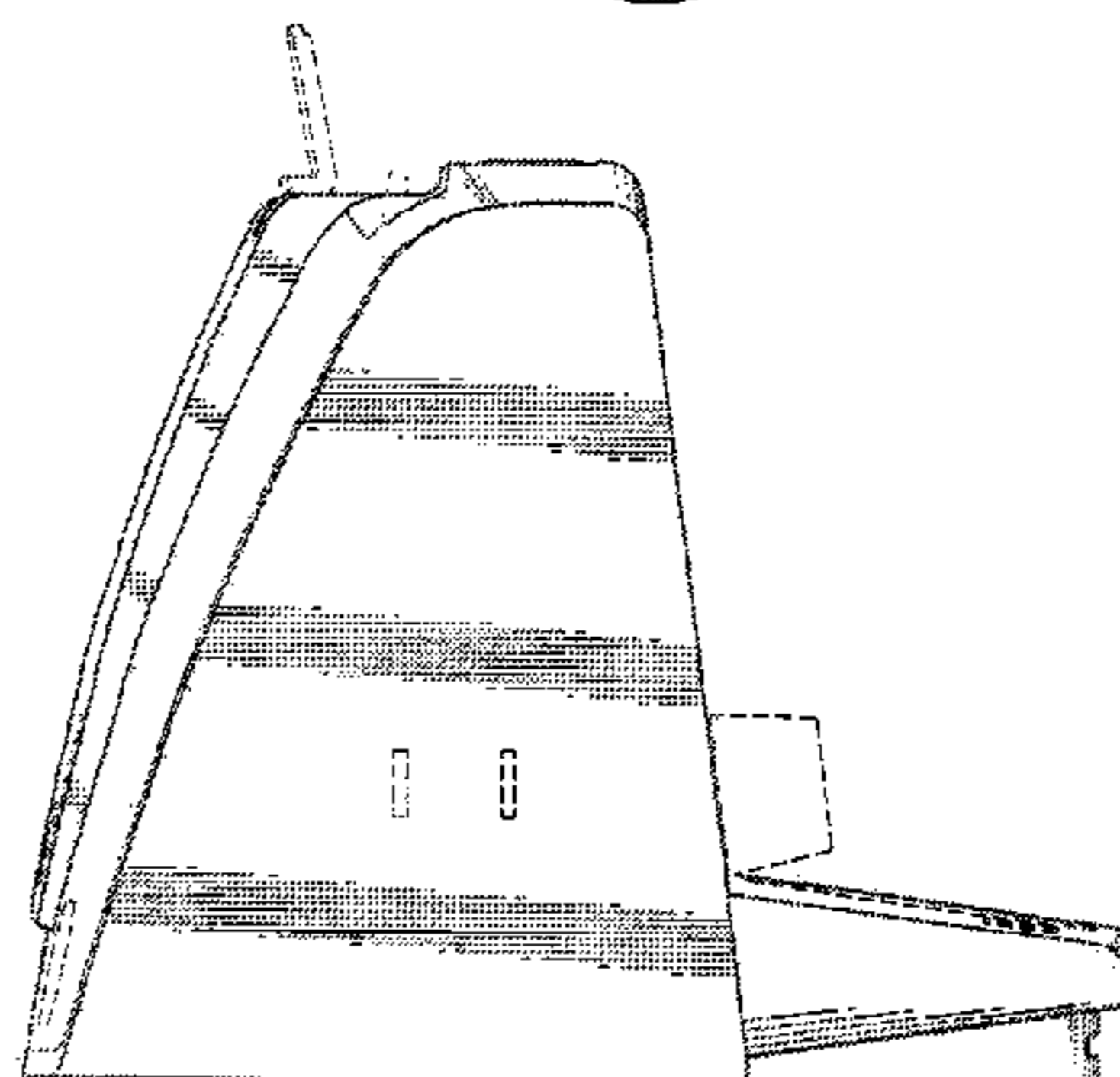
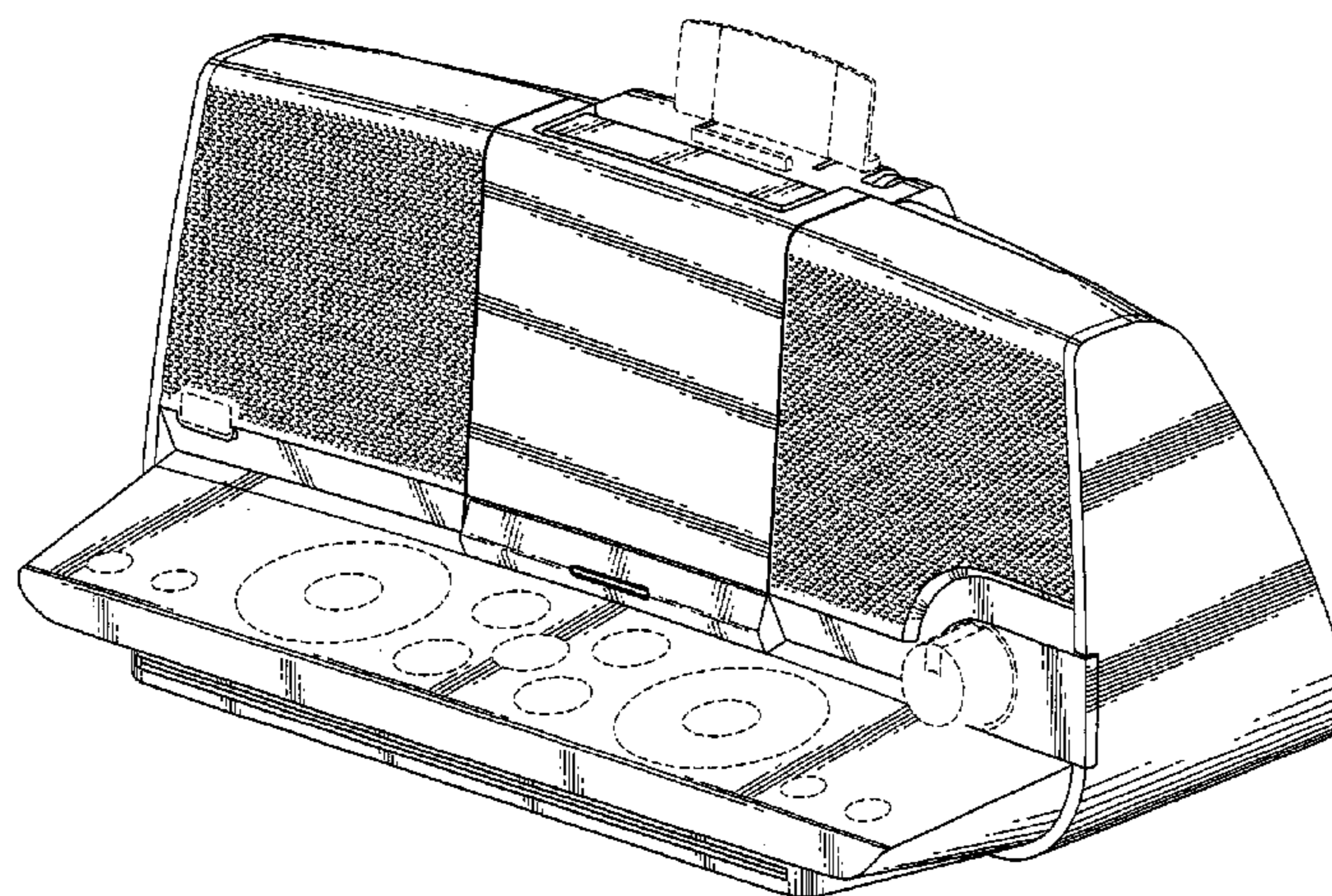
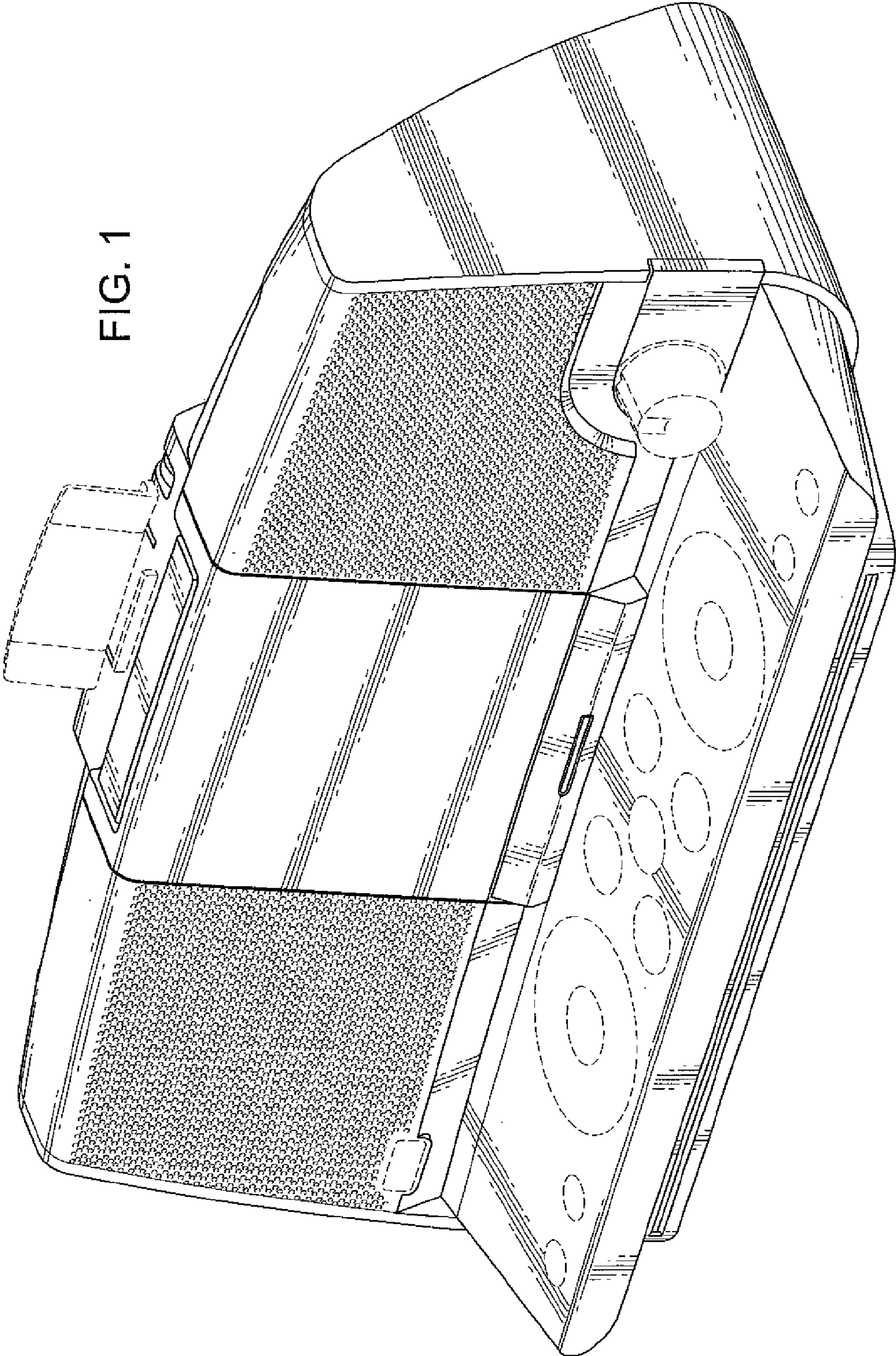


FIG. 1



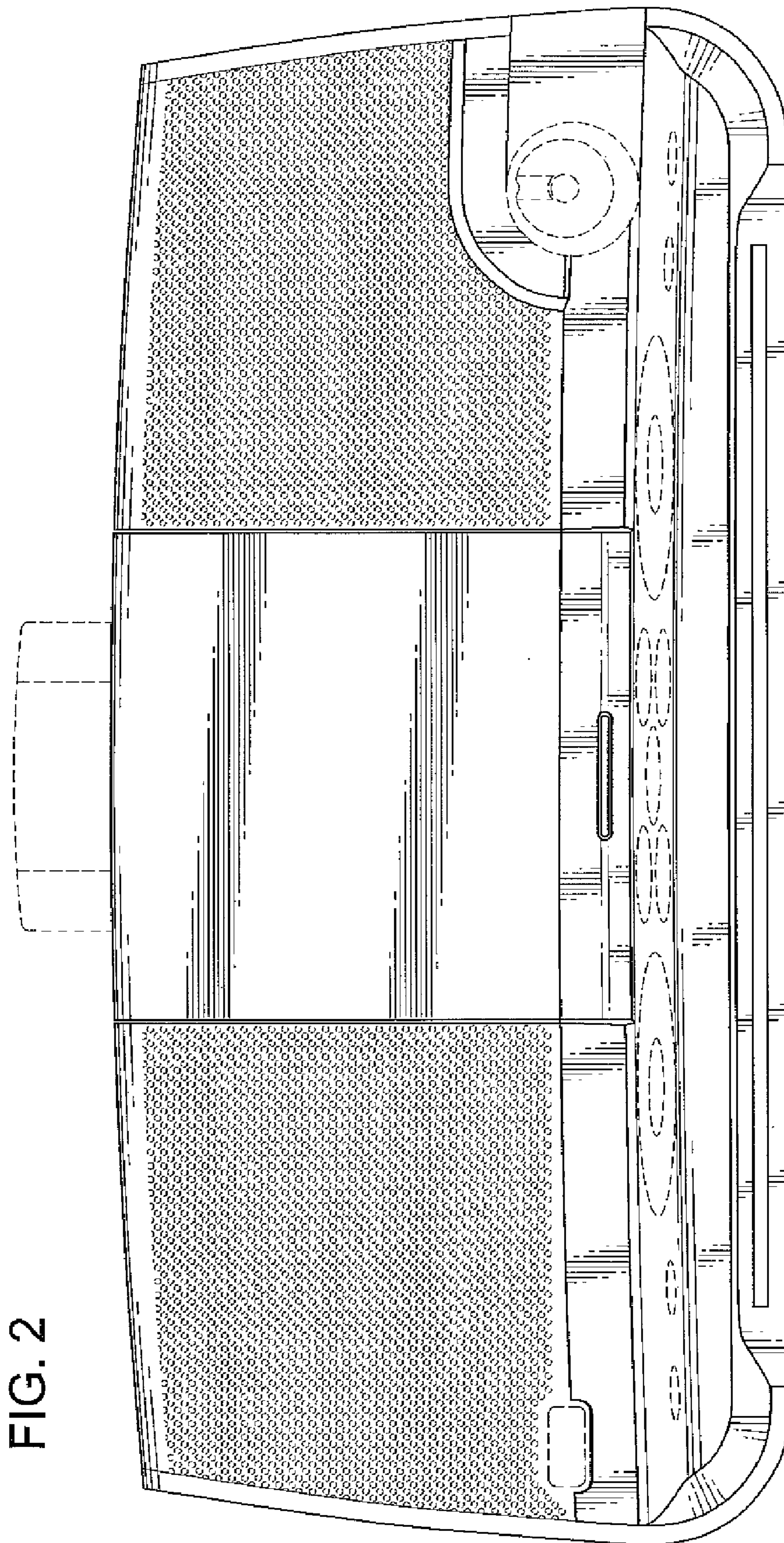


FIG. 2

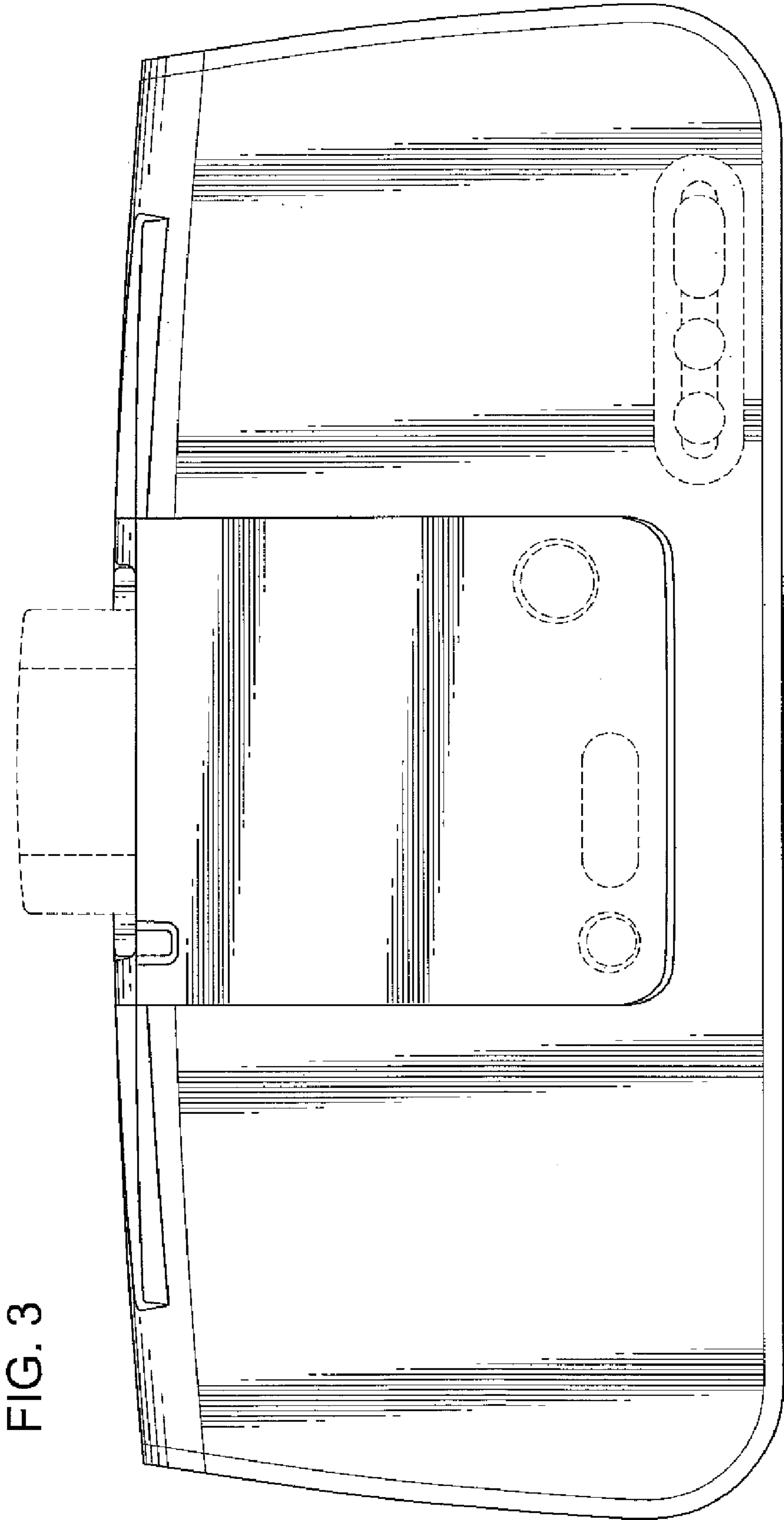


FIG. 3

FIG. 4

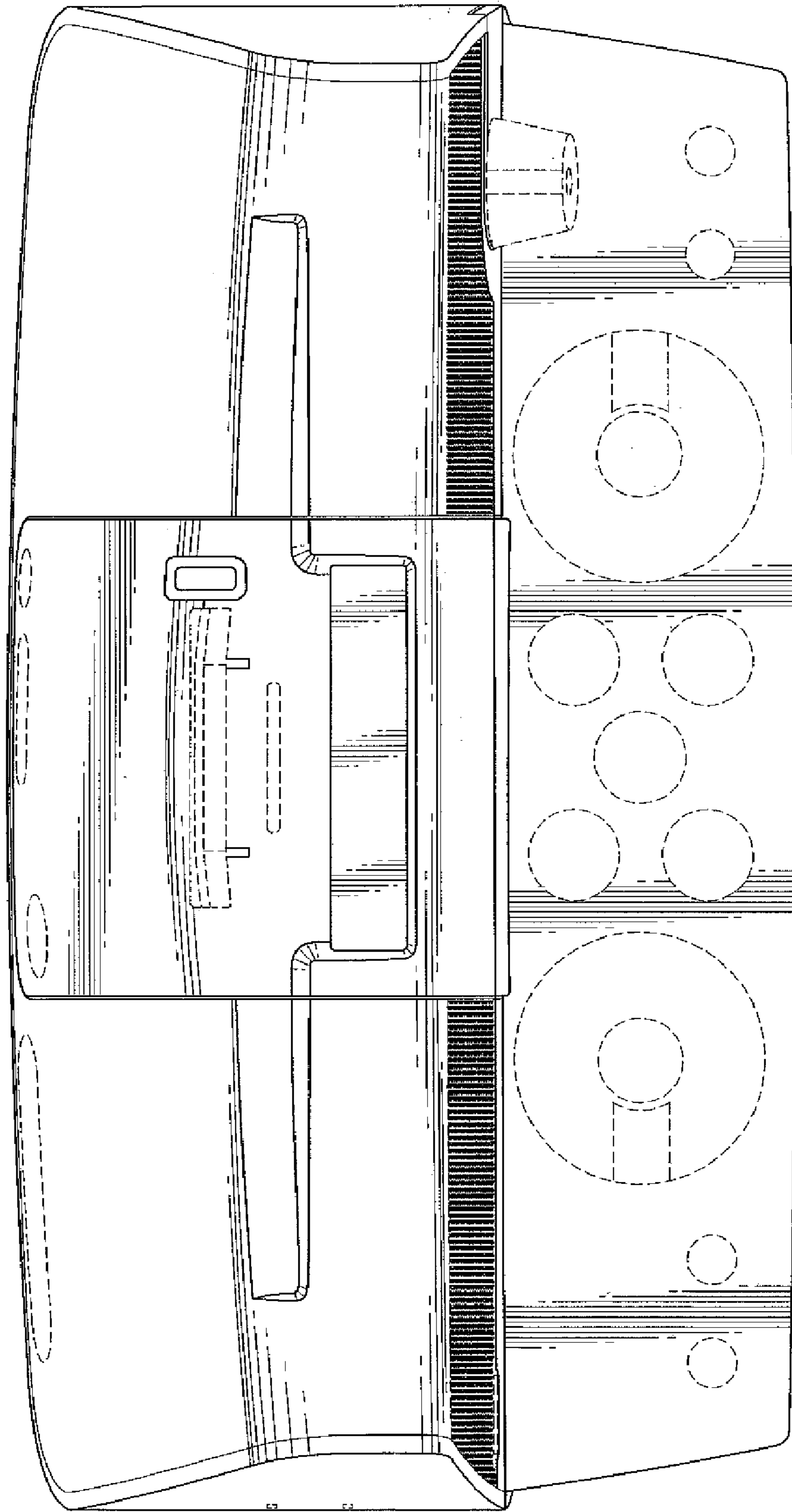


FIG. 5

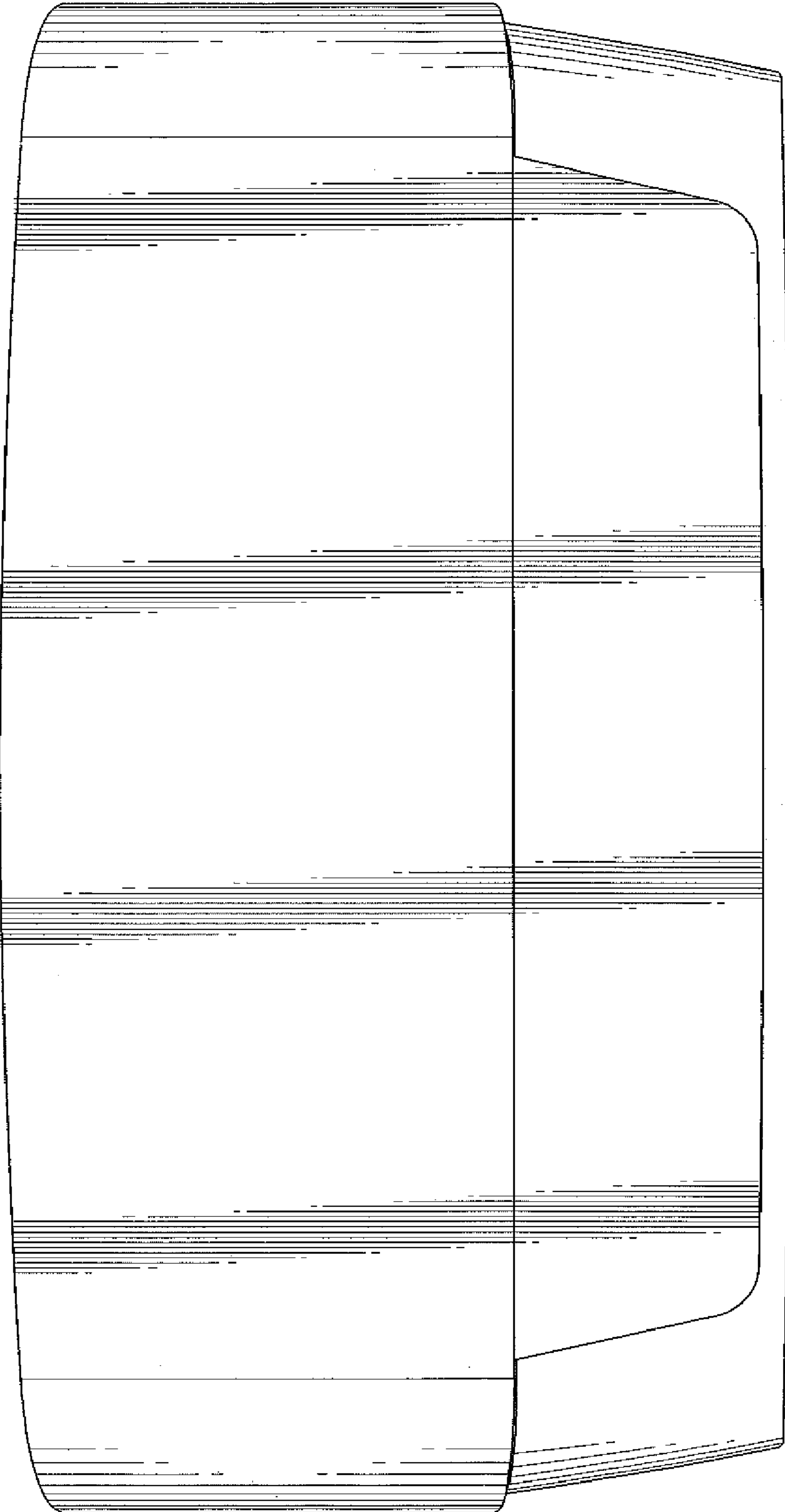


FIG. 7

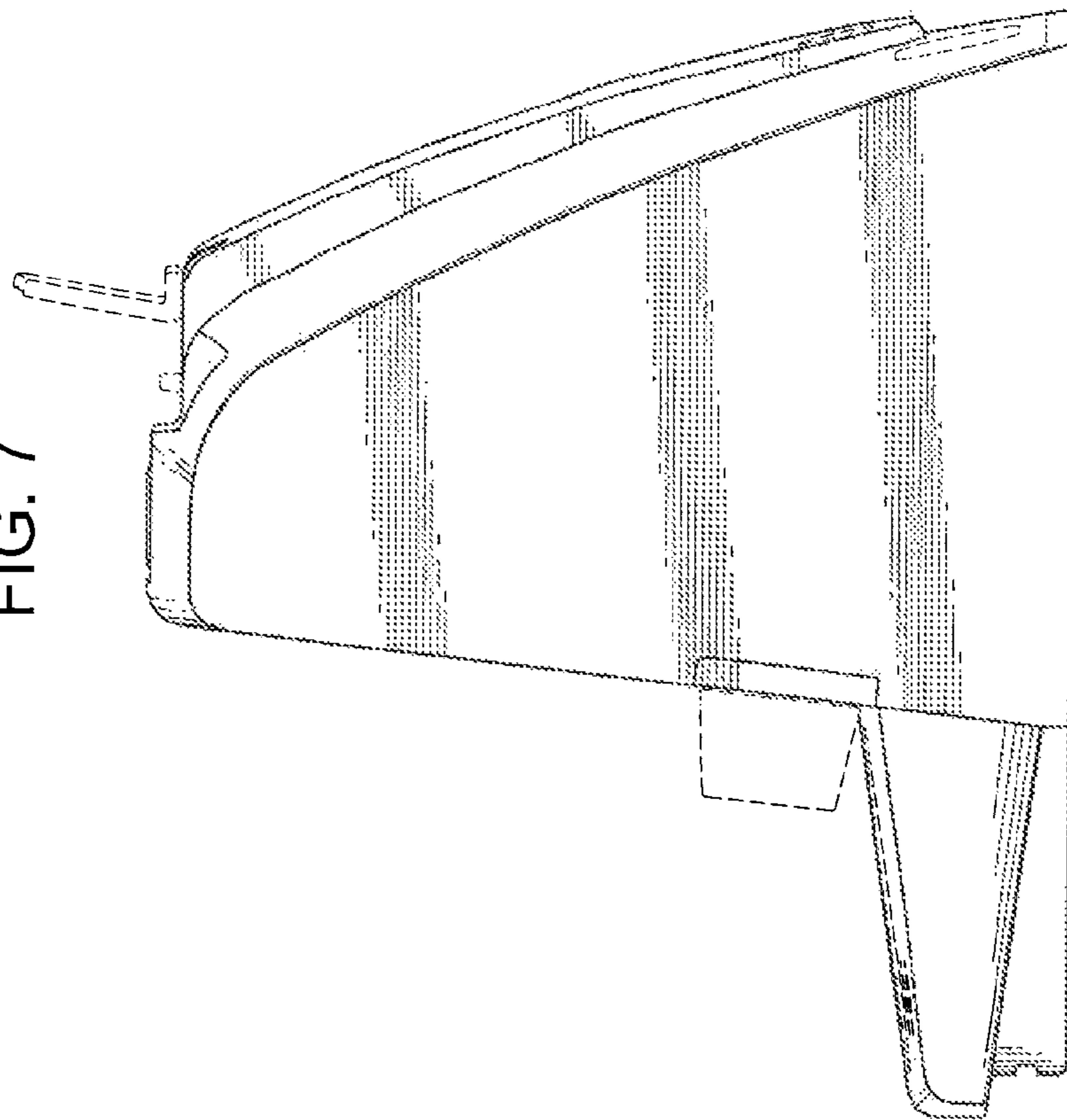


FIG. 6

