



US00D657337S

(12) **United States Design Patent**  
**Tylor**

(10) **Patent No.:** **US D657,337 S**

(45) **Date of Patent:** **\*\* Apr. 10, 2012**

(54) **MULTISCREEN CELLULAR TELEPHONE**

(76) Inventor: **Timothy E. Tylor**, Samson, AL (US)

(\*\*) Term: **14 Years**

(21) Appl. No.: **29/397,125**

(22) Filed: **Jul. 12, 2011**

(51) **LOC (9) Cl.** ..... **14-03**

(52) **U.S. Cl.** ..... **D14/138 AB**

(58) **Field of Classification Search** ..... D14/138 AB,  
D14/138 AA, 138 AC, 138 R, 138 AD, 496,  
D14/341, 345, 346, 203.1, 203.4, 203.7, 218,  
D14/137, 144; D13/184; 455/575.1, 575.3,  
455/575.4, 556.2; 379/433.01, 433.04, 433.11,  
379/433.12, 433.13; D21/517, 330

See application file for complete search history.

(56) **References Cited**

**U.S. PATENT DOCUMENTS**

D321,865	S *	11/1991	Derocher	.....	D14/345
6,791,597	B2 *	9/2004	Ando et al.	.....	348/14.02
D512,975	S *	12/2005	Tsai et al.	.....	D14/138 AB
7,034,799	B2	4/2006	Lee		
D520,976	S *	5/2006	LaDelfa	.....	D14/138 AB
D520,980	S *	5/2006	Taniyama et al.	.....	D14/138 AB
7,165,865	B2	1/2007	Cho		
7,224,343	B2 *	5/2007	Rekimoto	.....	345/156
D563,365	S *	3/2008	Kim	.....	D14/138 AB
D563,924	S *	3/2008	Arnold et al.	.....	D14/138 AB
D571,345	S *	6/2008	Kim et al.	.....	D14/138 AB
D571,773	S *	6/2008	Kim et al.	.....	D14/138 AB
D572,690	S *	7/2008	Kim et al.	.....	D14/138 AB
D584,276	S *	1/2009	Kim et al.	.....	D14/138 AB
D585,408	S *	1/2009	Kim et al.	.....	D14/138 AB
D587,232	S *	2/2009	Kim et al.	.....	D14/138 AB
D588,086	S *	3/2009	Kim et al.	.....	D14/138 AB
D603,828	S *	11/2009	Park et al.	.....	D14/138 AB
D624,040	S *	9/2010	Kim et al.	.....	D14/138 AB
D630,180	S *	1/2011	Kim et al.	.....	D14/138 AB
D635,116	S *	3/2011	Lee et al.	.....	D14/138 AB
7,925,314	B2 *	4/2011	Liao et al.	.....	455/575.1
D647,871	S *	11/2011	Han	.....	D14/138 AB

2002/0022503 A1 2/2002 Lee  
2006/0194613 A1\* 8/2006 Masuda et al. .... 455/556.1  
2008/0268901 A1 10/2008 Miramontes

**OTHER PUBLICATIONS**

Motorola MT 810lx telephone, announced Nov. 2010, [online], [site visited Nov. 1, 2011]. Available from Internet, <URL: <http://www.gsmarena.com>>.\*

Samsung R260 Chrono telephone, announced May 2011, [online], [site visited Nov. 1, 2011]. Available from Internet, <URL: <http://www.gsmarena.com>>.\*

LG G7020 telephone, announced 4<sup>th</sup> quarter 2002, [online], [site visited Nov. 1, 2011]. Available from Internet, <URL: <http://www.gsmarena.com>>.\*

Philips Xenium X600 telephone, announced Apr. 2009, [online], [site visited Nov. 1, 2011]. Available from Internet, <URL: <http://www.gsmarena.com>>.\*

Motorola XT 806 telephone, announced Sep. 2010, [online], [site visited Nov. 1, 2011]. Available from Internet, <URL: <http://www.gsmarena.com>>.\*

\* cited by examiner

*Primary Examiner* — Jeffrey D Asch

(74) *Attorney, Agent, or Firm* — Crossley Patent Law

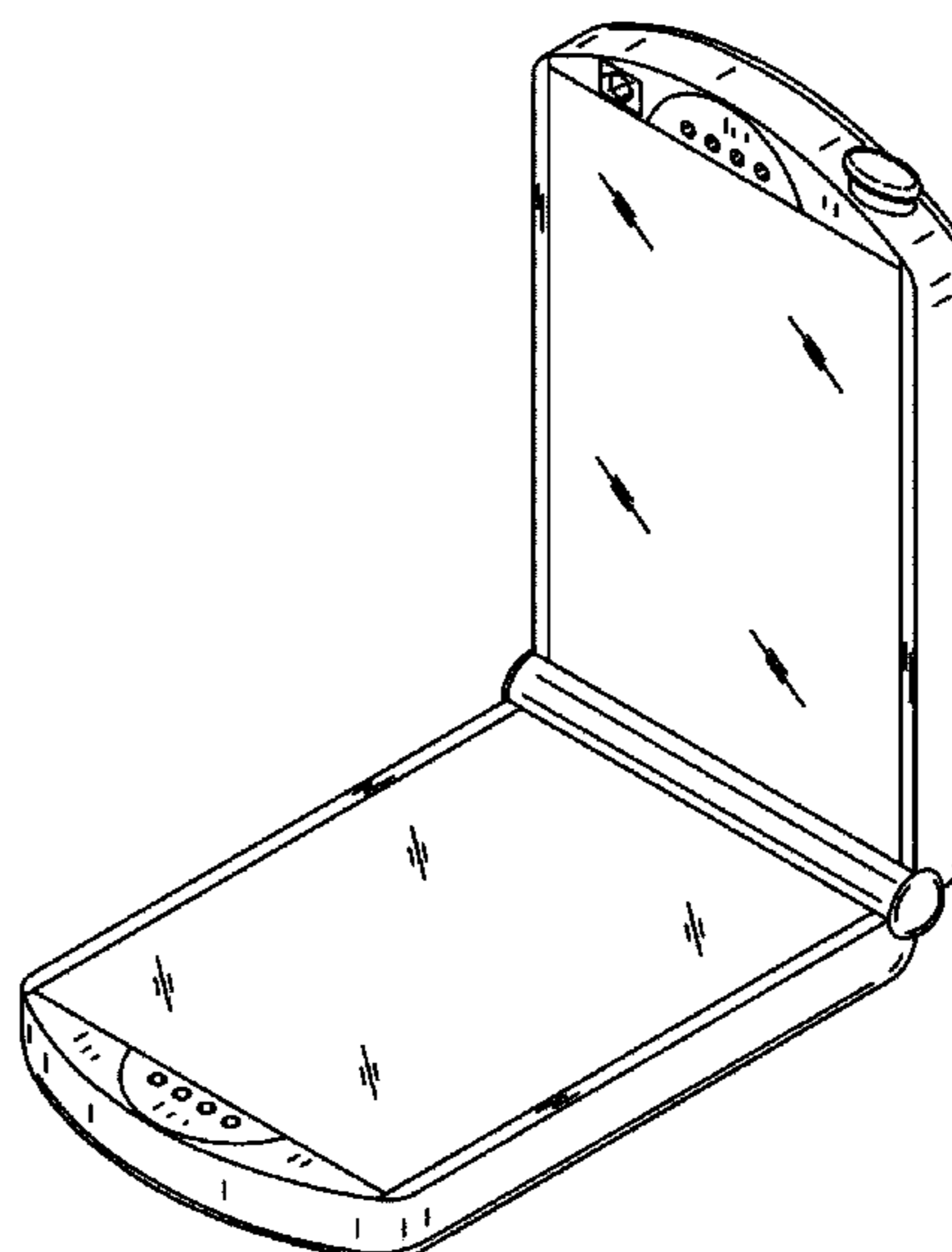
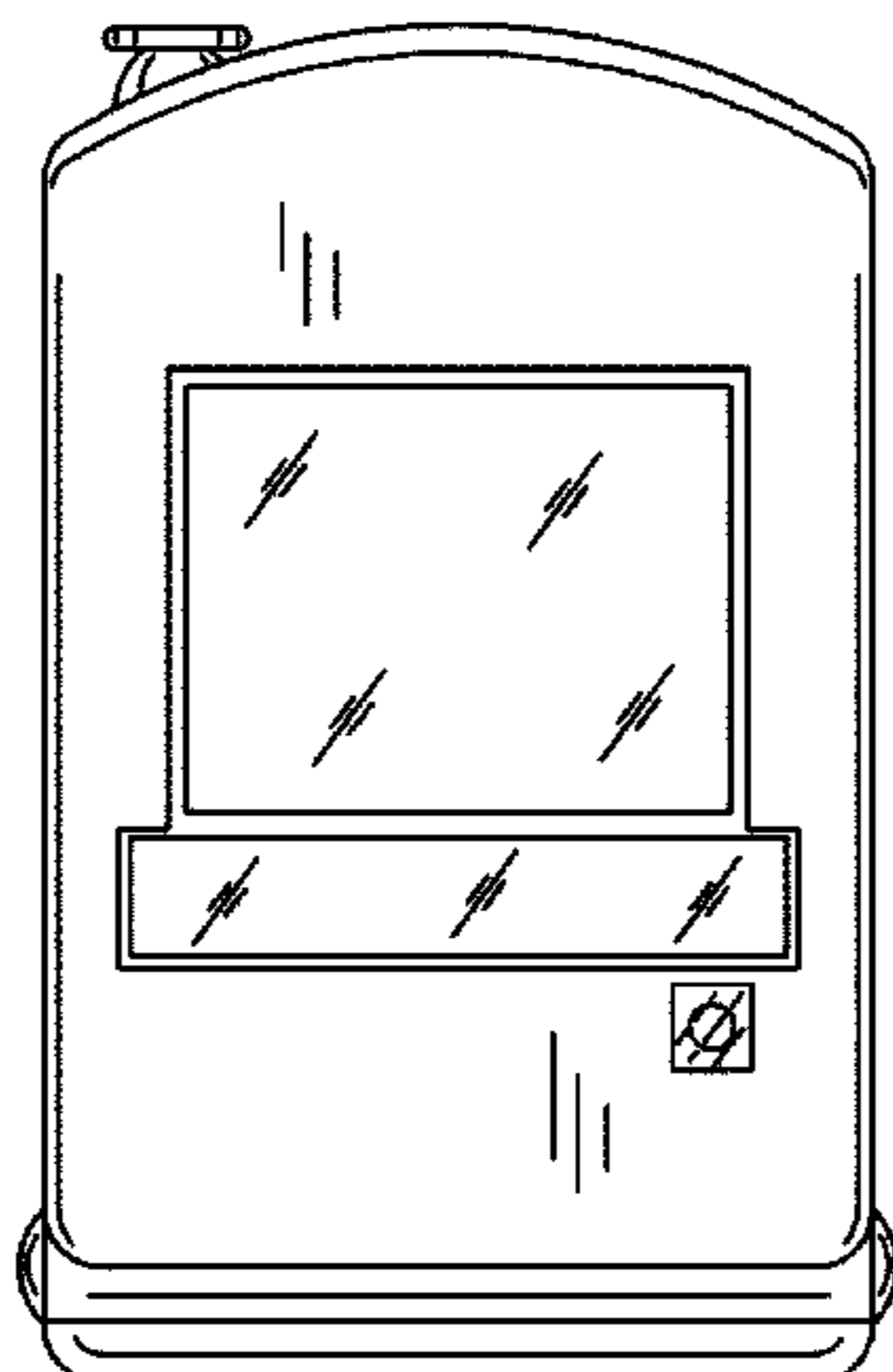
(57) **CLAIM**

The ornamental design for a multiscreen cellular telephone, as shown and described.

**DESCRIPTION**

FIG. 1 is a rear elevation view of a multiscreen cellular telephone showing my new design;  
FIG. 2 is a front elevation view thereof;  
FIG. 3 is a right elevation view thereof;  
FIG. 4 is a left elevation view thereof;  
FIG. 5 is a top plan view thereof;  
FIG. 6 is a bottom plan view thereof; and,  
FIG. 7 is an isometric view thereof.

**1 Claim, 5 Drawing Sheets**



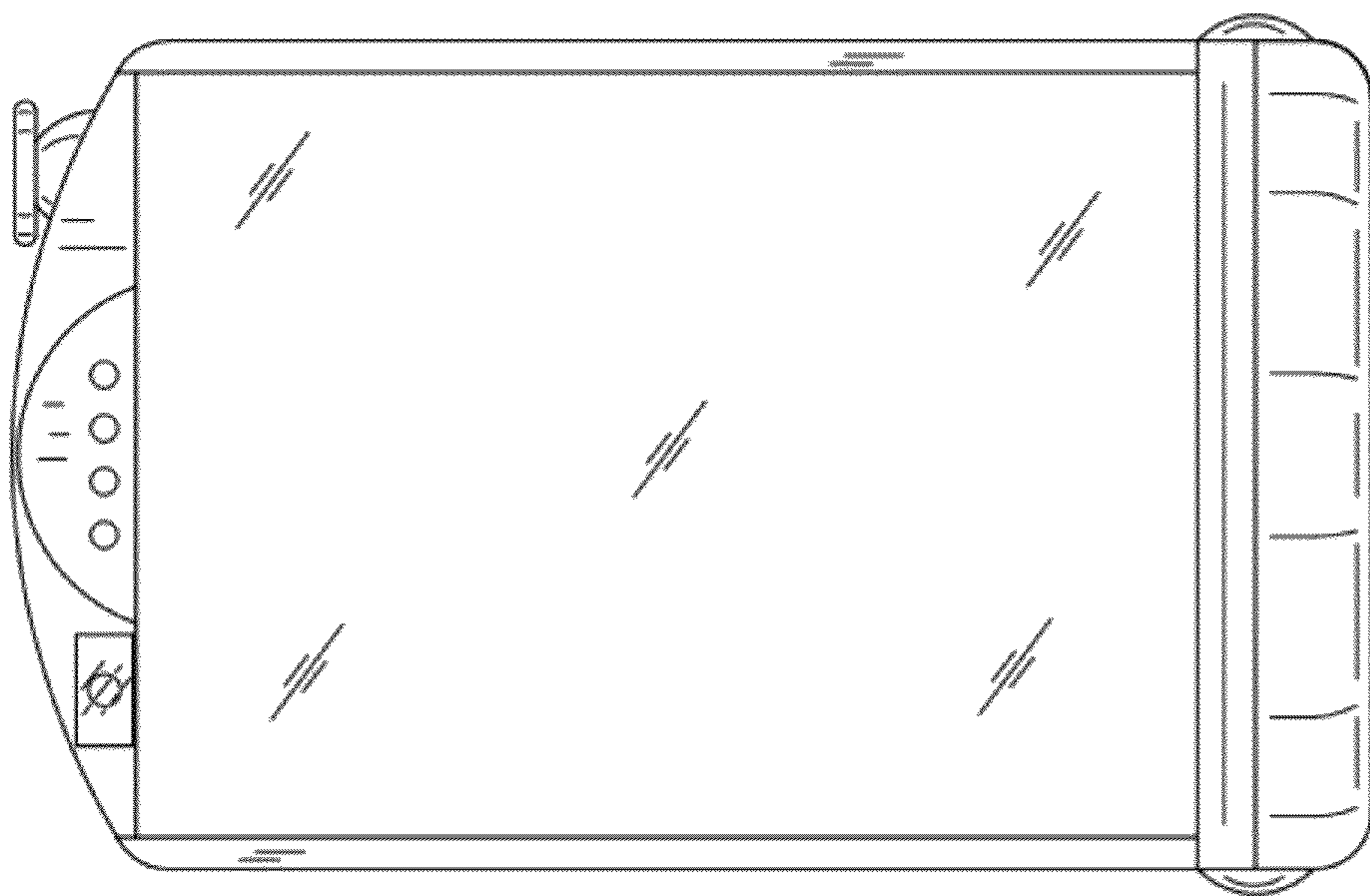


FIG. 1

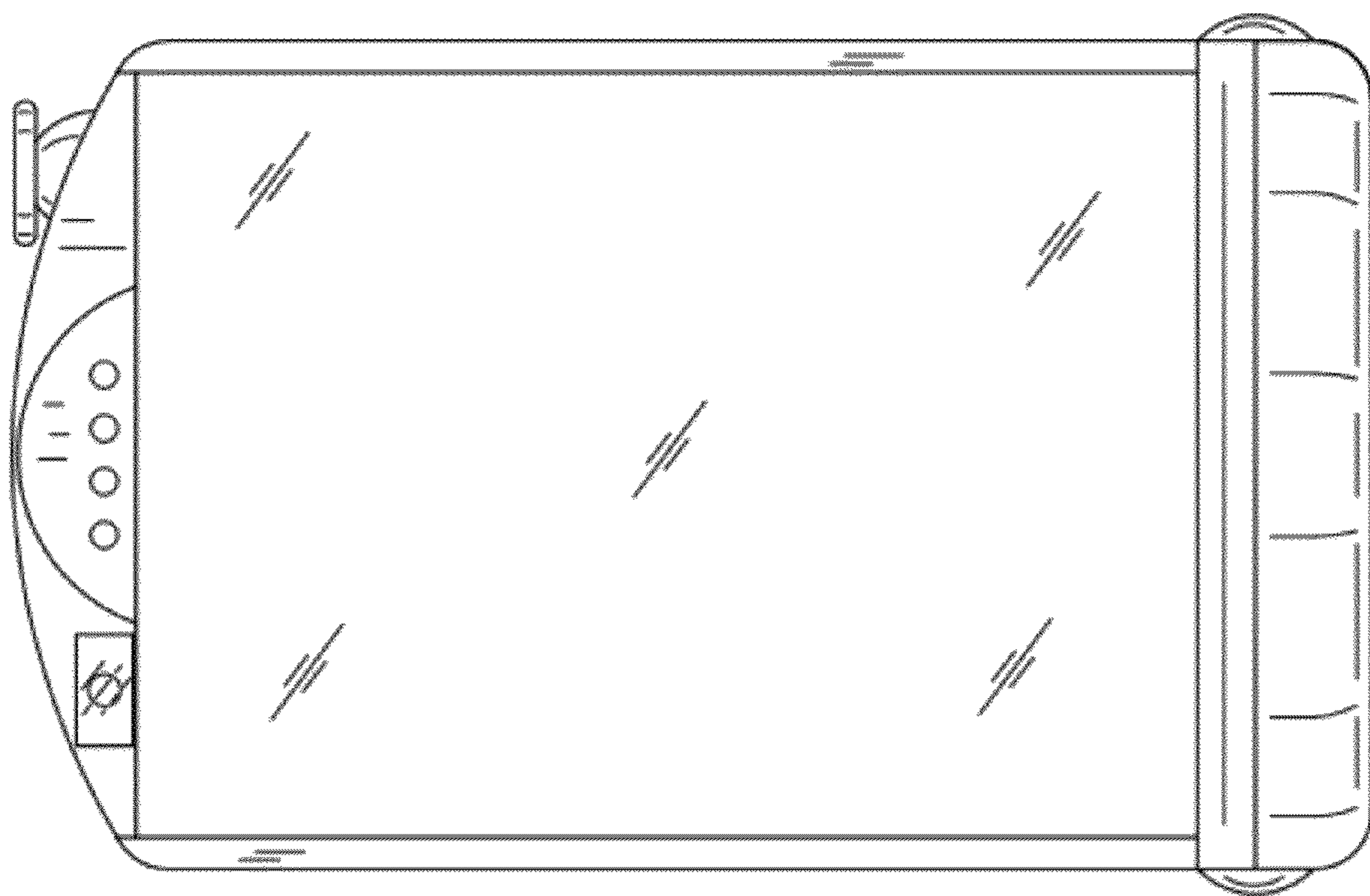


FIG. 2

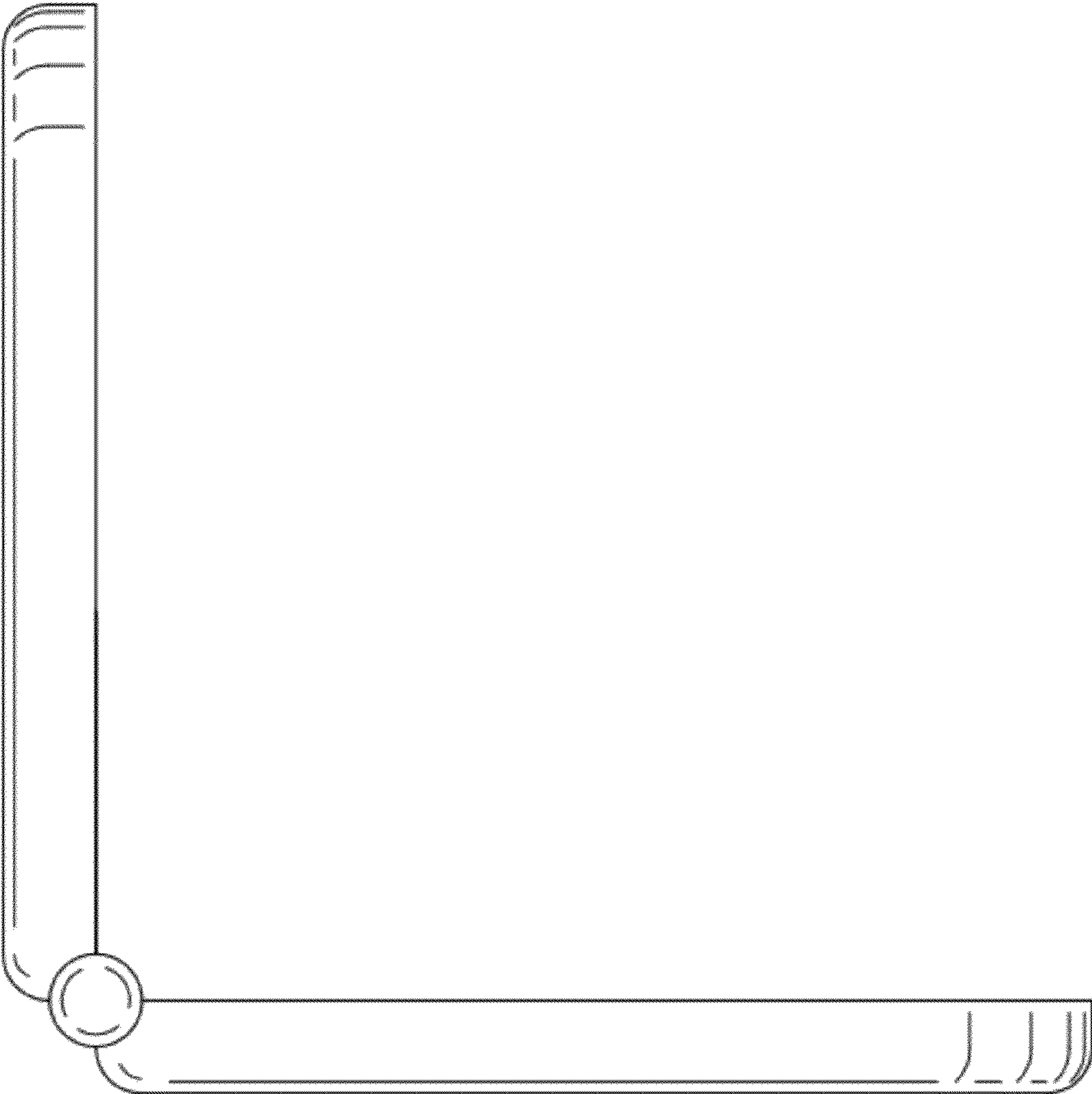


FIG. 3

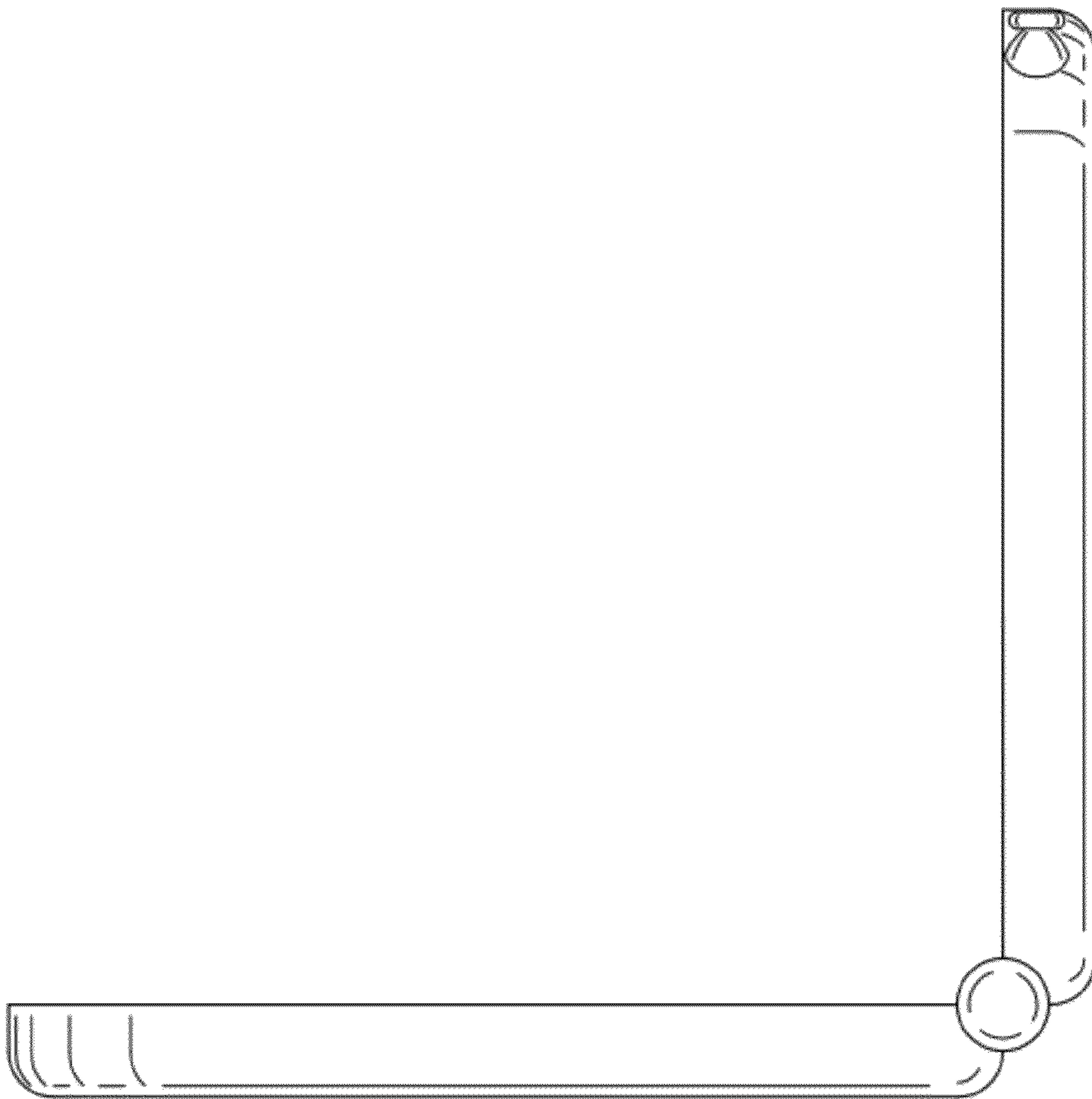


FIG. 4

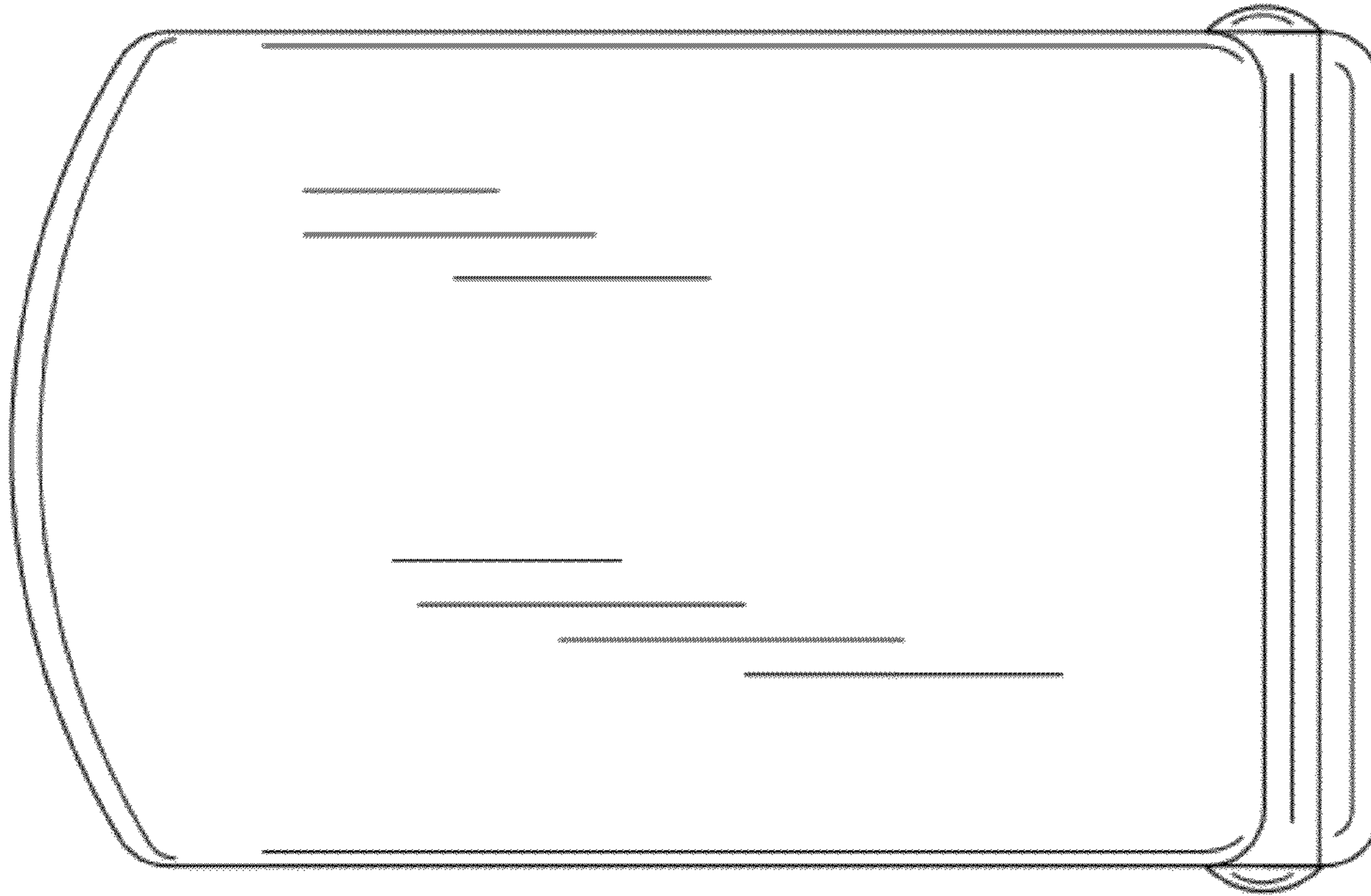


FIG. 6

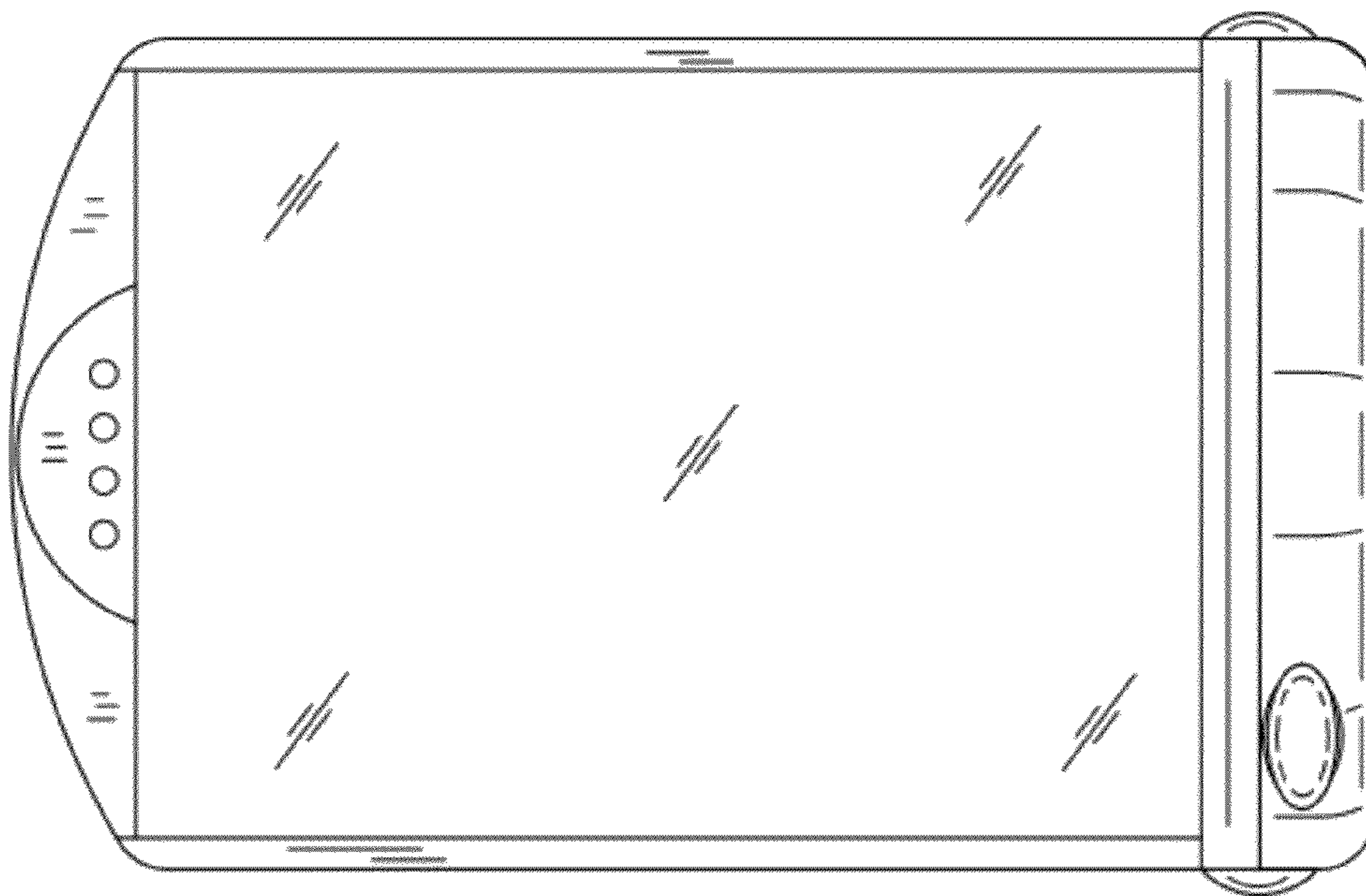


FIG. 5

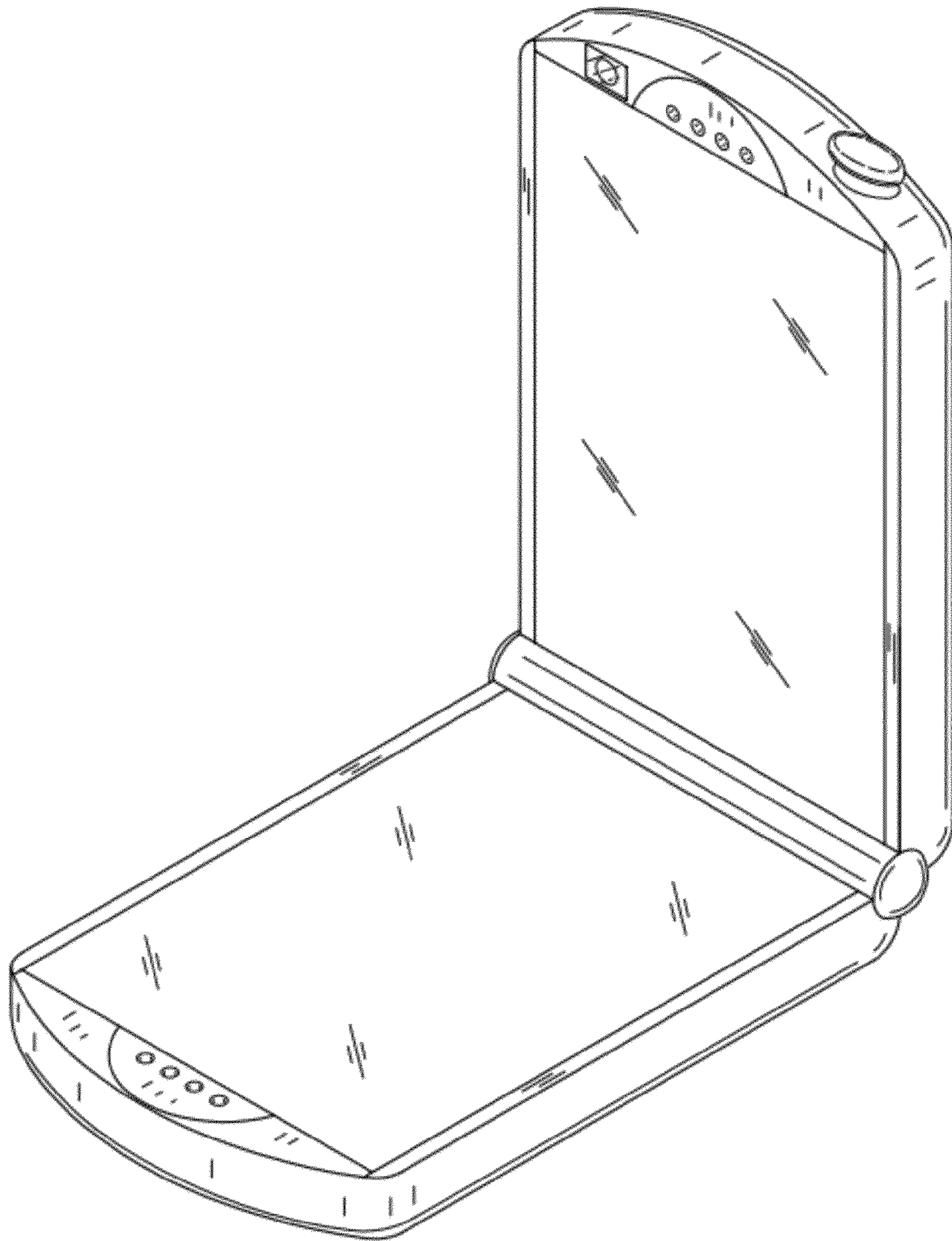


FIG. 7