



US00D657335S

(12) **United States Design Patent**
Han

(10) **Patent No.:** **US D657,335 S**

(45) **Date of Patent:** **** *Apr. 10, 2012**

(54) **MOBILE PHONE**

(75) Inventor: **Woo-Seung Han**, Seoul (KR)

(73) Assignee: **Samsung Electronics Co., Ltd.** (KR)

(*) Notice: This patent is subject to a terminal disclaimer.

(**) Term: **14 Years**

(21) Appl. No.: **29/390,960**

(22) Filed: **May 2, 2011**

(30) **Foreign Application Priority Data**

Mar. 9, 2011 (KR) 30-2011-0009598

(51) **LOC (9) Cl.** **14-03**

(52) **U.S. Cl.** **D14/138 G**

(58) **Field of Classification Search** D14/138 AD, D14/138 G, 138 R, 138 AC, 138 C, 496, D14/341, 345, 346, 203.7, 247, 248, 218, D14/138 AA, 138 AB; 455/575.1, 556.2, 455/556.1, 575.4, 566; D10/65; D13/168
See application file for complete search history.

(56) **References Cited**

U.S. PATENT DOCUMENTS

D587,671 S *	3/2009	Park et al.	D14/138 AD
D590,804 S *	4/2009	Tkachuk	D14/138 AD
D598,409 S *	8/2009	Jung et al.	D14/138 G
D606,037 S *	12/2009	Christopher et al. .	D14/138 AD
D609,210 S *	2/2010	Sohn et al.	D14/138 AD
D612,357 S *	3/2010	Wang et al.	D14/138 AD
D616,859 S *	6/2010	Ho et al.	D14/138 G
D618,653 S *	6/2010	Kim et al.	D14/138 AD
D619,985 S *	7/2010	Choi et al.	D14/138 G

D620,470 S *	7/2010	Sohn et al.	D14/138 AD
D625,700 S *	10/2010	Sandberg et al.	D14/138 AD
D628,545 S *	12/2010	Cho et al.	D14/138 AD
D629,776 S *	12/2010	Lee et al.	D14/138 AD
D631,464 S *	1/2011	Kim	D14/138 G
D633,066 S *	2/2011	Park et al.	D14/138 AD
D633,886 S *	3/2011	Chen	D14/138 AD
D635,950 S *	4/2011	Lee et al.	D14/138 G
D637,171 S *	5/2011	Chen	D14/138 G
D639,766 S *	6/2011	Han et al.	D14/138 AD
D639,767 S *	6/2011	Finney et al.	D14/138 G
D640,662 S *	6/2011	Hwang	D14/138 AD
D642,152 S *	7/2011	Cho	D14/138 AD

(Continued)

OTHER PUBLICATIONS

LG T315 telephone, announced Mar. 2011, [online], [site visited Sep. 20, 2011]. Available from Internet, <URL: <http://www.gsmarena.com>>.*

(Continued)

Primary Examiner — Jeffrey D Asch
(74) *Attorney, Agent, or Firm* — NSIP Law

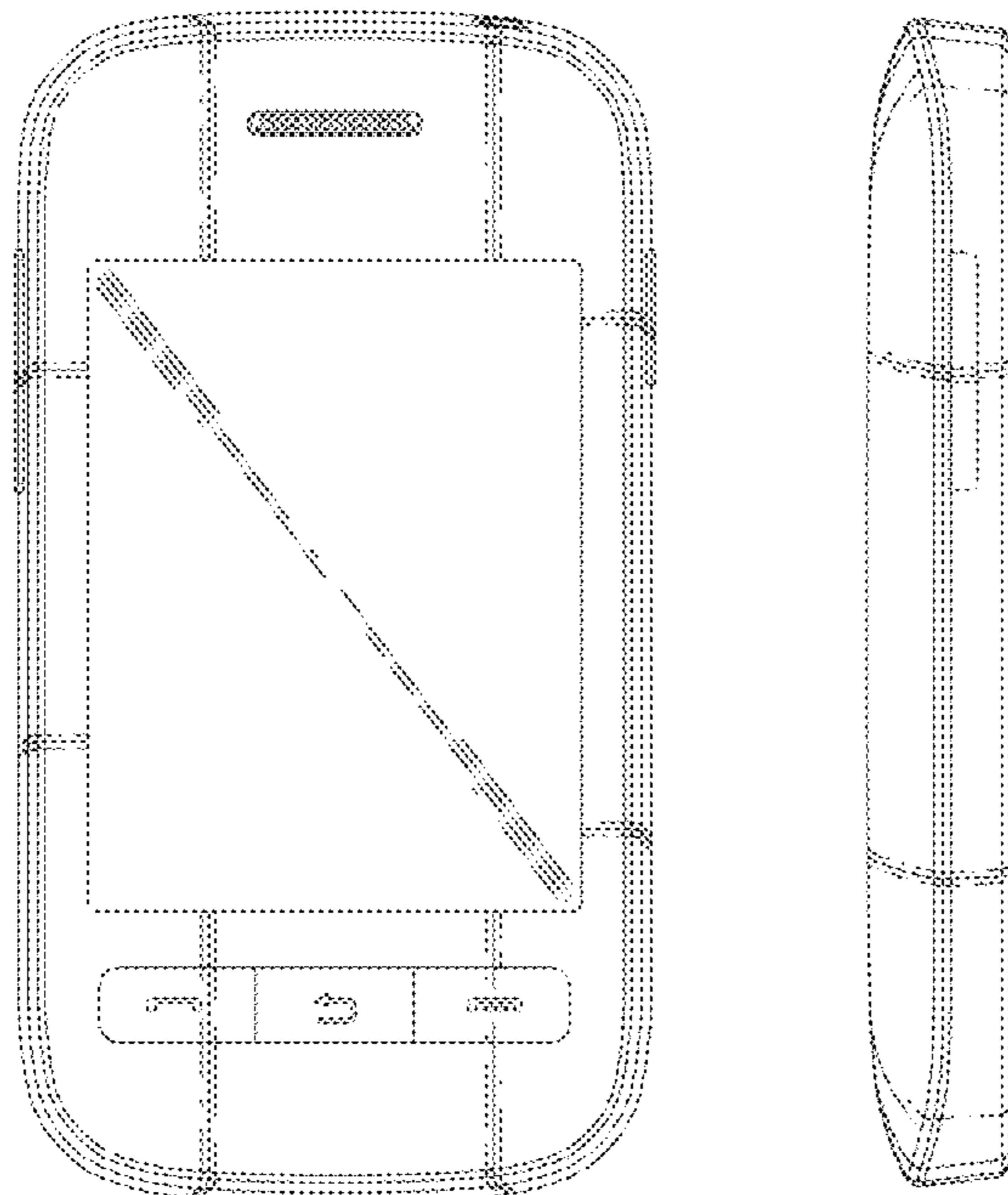
(57) **CLAIM**

The ornamental design for a mobile phone, as shown and described.

DESCRIPTION

FIG. 1 is a perspective view of a mobile phone; FIG. 2 is a front view of the mobile phone of FIG. 1; FIG. 3 is a rear view of the mobile phone of FIG. 1; FIG. 4 is a left-side view of the mobile phone of FIG. 1; FIG. 5 is a right-side view of the mobile phone of FIG. 1; FIG. 6 is a top plan view of the mobile phone of FIG. 1; and, FIG. 7 is a bottom plan view of the mobile phone of FIG. 1.

1 Claim, 5 Drawing Sheets



U.S. PATENT DOCUMENTS

D644,195 S * 8/2011 Kim et al. D14/138 G
D645,012 S * 9/2011 Lee et al. D14/138 G
2010/0311478 A1* 12/2010 Knoppert et al. 455/575.4

OTHER PUBLICATIONS

Samsung Continuum I400 telephone, announced Nov. 2010, [online], [site visited Sep. 20, 2011]. Available from Internet, <URL: <http://www.gsmarena.com>>.*
Palm Pre Plus telephone, announced Mar. 2010, [online], [site visited Sep. 20, 2011]. Available from Internet, <URL: <http://www.gsmarena.com>>.*

Verykool i280 telephone, announced 2011, [online], [site visited Sep. 20, 2011]. Available from Internet, <URL: <http://www.gsmarena.com>>.*

Samsung Trender telephone, announced Jun. 2011, [online], [site visited Sep. 20, 2011]. Available from Internet, <URL: <http://www.gsmarena.com>>.*

LG Vortex VS660 telephone, announced Nov. 2010, [online], [site visited Sep. 20, 2011]. Available from Internet, <URL: <http://www.gsmarena.com>>.*

Blu Neo telephone, announced Aug. 2011, [online], [site visited Sep. 20, 2011]. Available from Internet, <URL: <http://www.gsmarena.com>>.*

* cited by examiner

FIG. 1

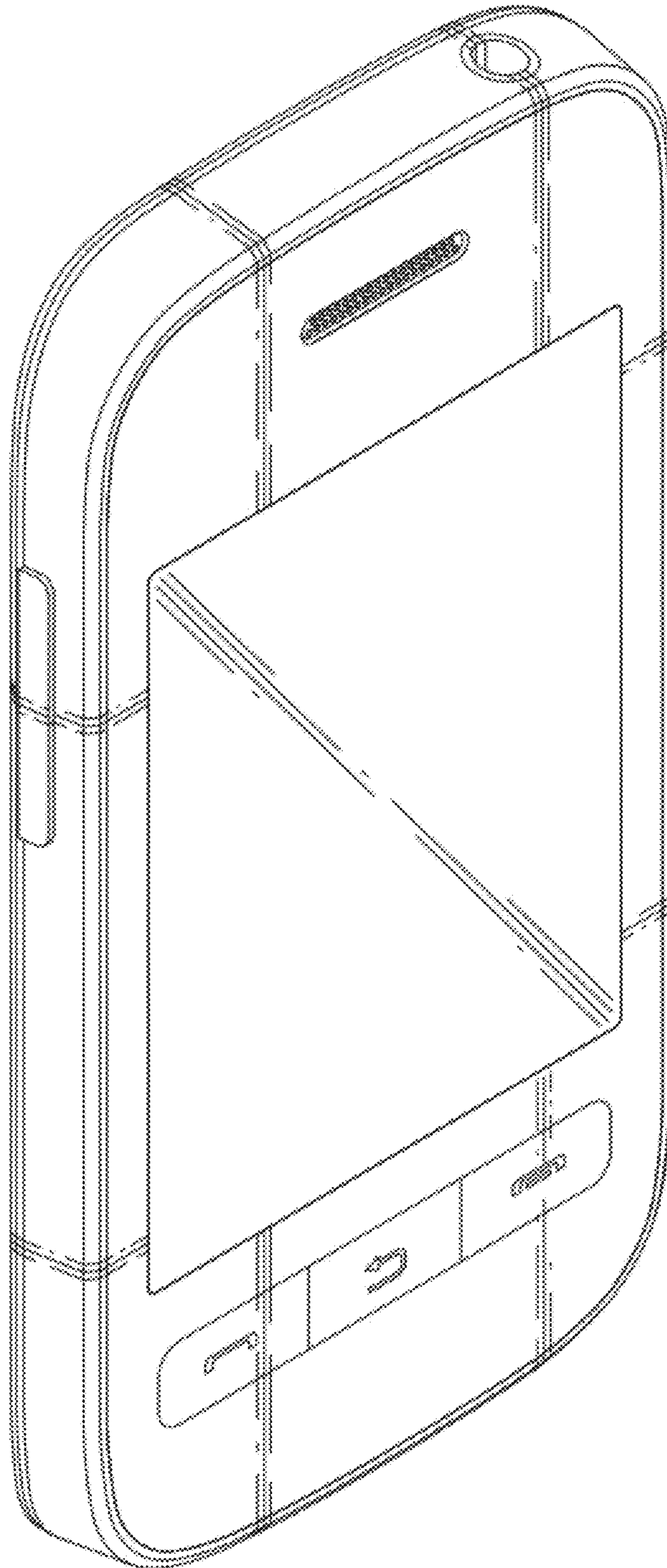


FIG. 2

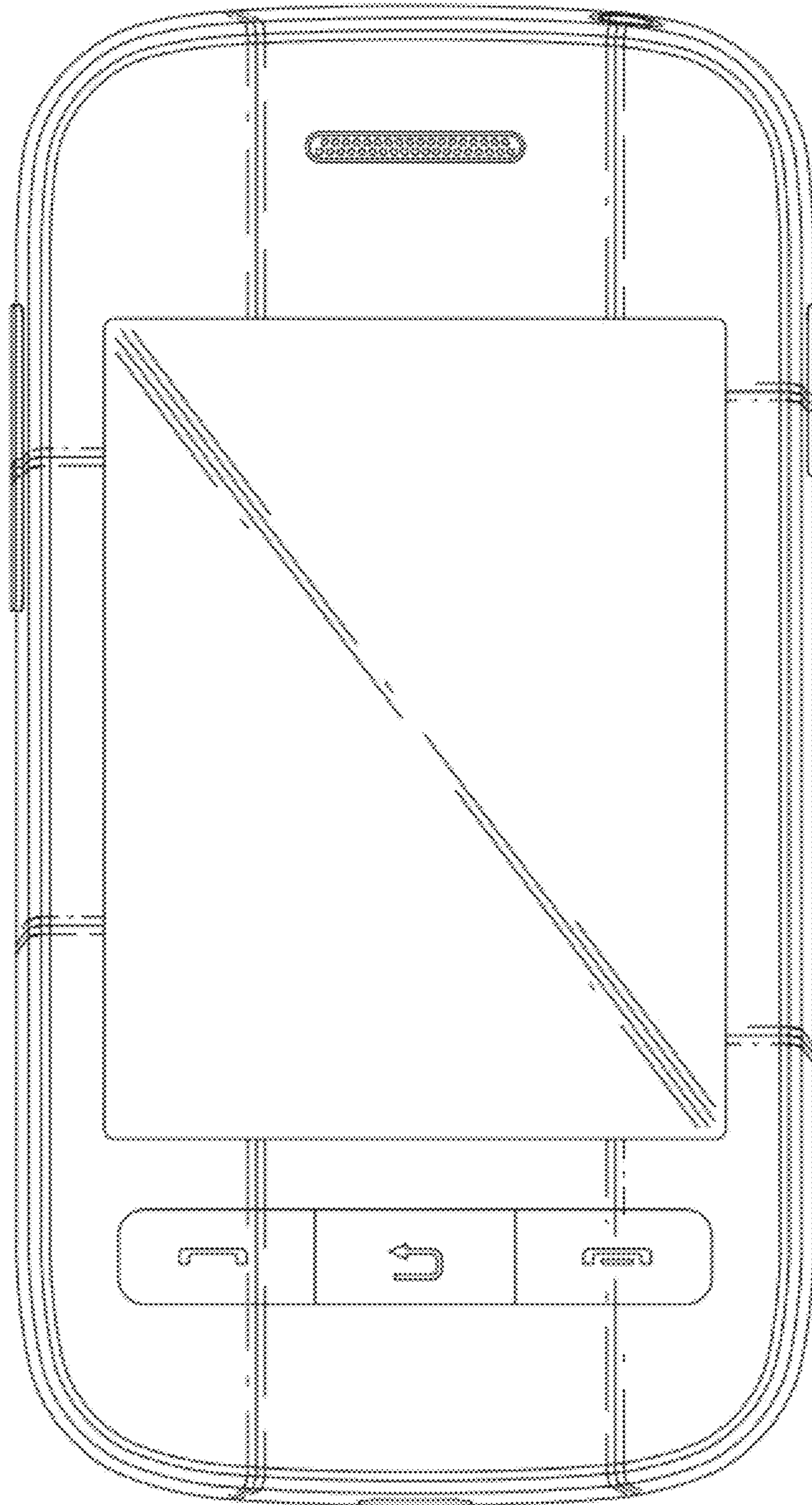


FIG. 3

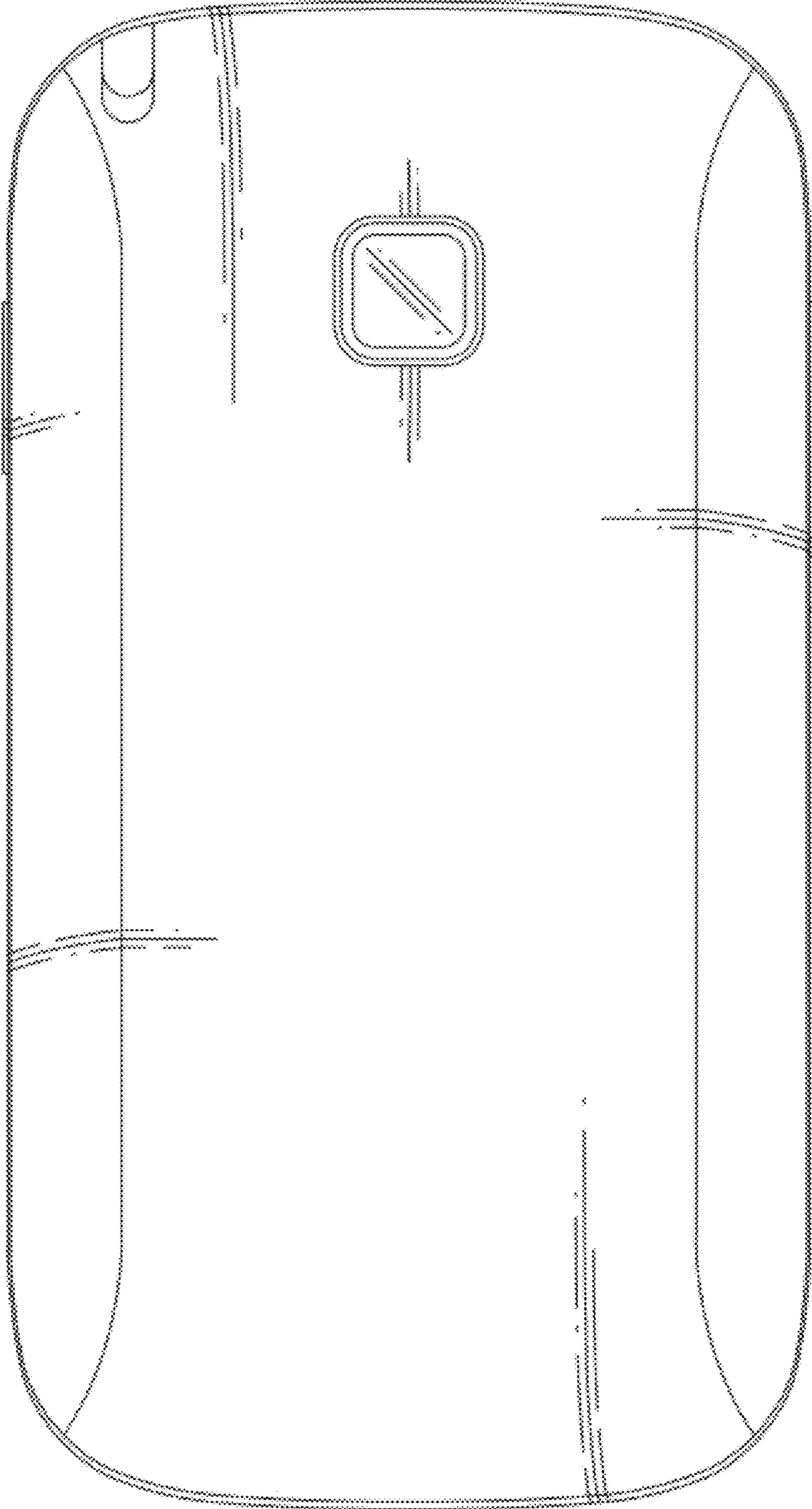


FIG. 4

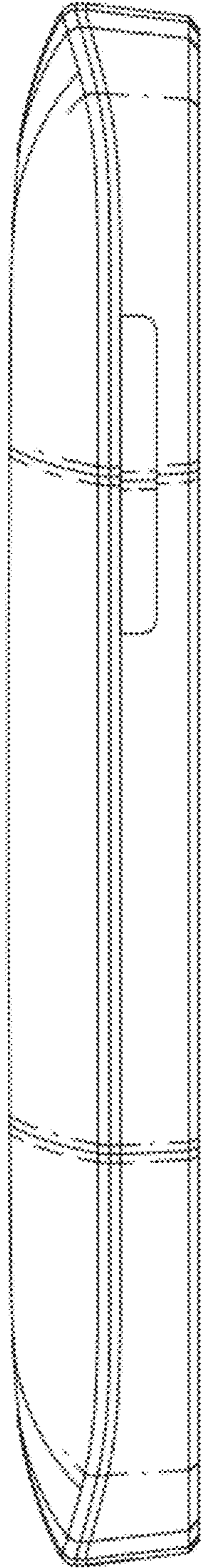


FIG. 5

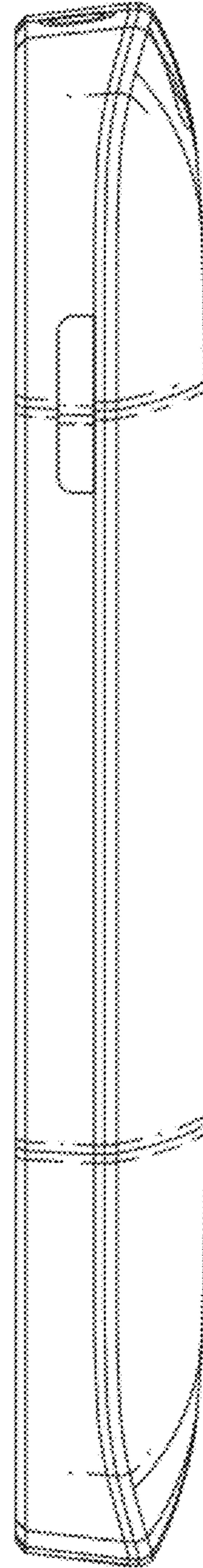


FIG. 6

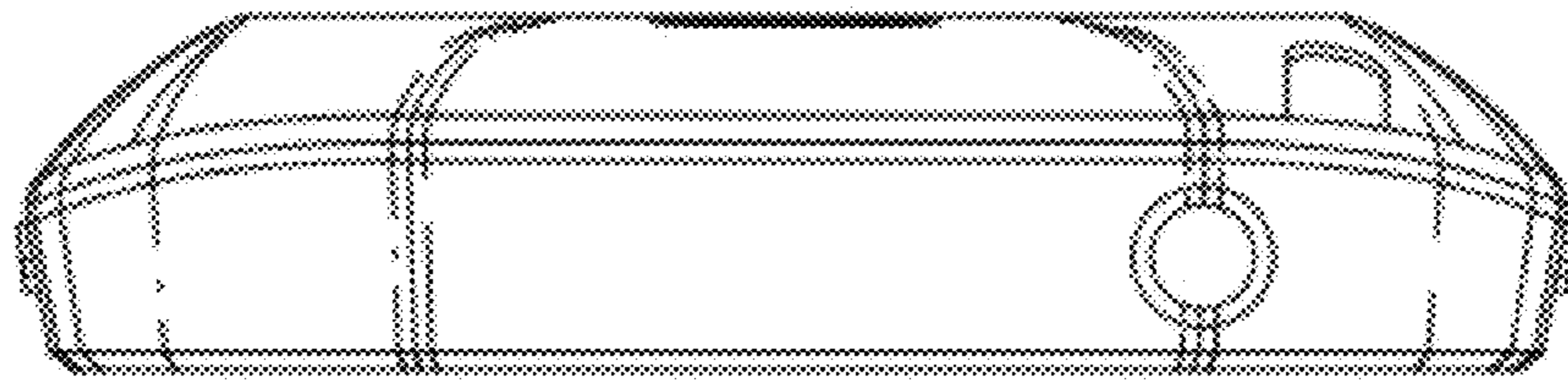


FIG. 7

