



US00D657327S

(12) **United States Design Patent**  
**Iida et al.**

(10) **Patent No.:** **US D657,327 S**  
(45) **Date of Patent:** **\*\* Apr. 10, 2012**

(54) **TELEVISION SET**

(75) Inventors: **Katsuhiro Iida**, Osaka (JP); **Tohru Ohtani**, Osaka (JP); **Yoshito Fujii**, Osaka (JP); **Takeshi Kodera**, Osaka (JP); **Hiroshi Yamamizu**, Osaka (JP); **Kohichi Iida**, Osaka (JP)

(73) Assignee: **Sharp Kabushiki Kaisha**, Osaka (JP)

(\*\*) Term: **14 Years**

(21) Appl. No.: **29/389,896**

(22) Filed: **Apr. 18, 2011**

(30) **Foreign Application Priority Data**

Oct. 19, 2010 (JP) ..... 2010-024964

(51) **LOC (9) Cl.** ..... **14-03**

(52) **U.S. Cl.** ..... **D14/126**

(58) **Field of Classification Search** ..... D14/125-134, D14/239, 371, 136, 374-377, 440, 450, 448, D14/336, 342; 312/7.2; 348/836, 838, 180, 348/184, 325, 739; 341/12; 248/917-924, 248/465; 345/104, 133, 156, 168, 87, 173; 720/605, 669, 600, 655; 369/99, 197; 455/344, 455/347; D21/329, 515, 577, 622, 333, 433, D21/448, 452, 450, 331; D6/477, 479, 300; 273/148 B; 446/484, 175, 356; D10/15, D10/26

See application file for complete search history.

(56) **References Cited**

**U.S. PATENT DOCUMENTS**

D427,169 S	6/2000	Saeki et al.
D429,227 S	8/2000	Shimizu
D431,537 S	10/2000	Saeki et al.
D438,848 S	3/2001	Kita
D439,224 S	3/2001	Kita
D439,225 S	3/2001	Kita
D453,747 S	2/2002	Kita
D453,748 S	2/2002	Kita

D456,370 S	4/2002	Kita	
D458,910 S	6/2002	Kita	
D492,269 S	6/2004	Kita	
D496,915 S	10/2004	Kita	
D497,351 S	10/2004	Kita	
D497,599 S	10/2004	Kita	
D499,076 S	11/2004	Kita	
D501,186 S	1/2005	Kita	
D501,654 S	2/2005	Kita	
D502,451 S	3/2005	Kita	
D502,931 S	3/2005	Kita	
D505,123 S	5/2005	Kita	
D510,731 S	10/2005	Kita	
D512,385 S	12/2005	Kita	
D512,386 S	12/2005	Kita	
D512,387 S	12/2005	Kita	
D534,139 S	* 12/2006	Yokota	..... D14/126
D538,242 S	3/2007	Kita	

(Continued)

**OTHER PUBLICATIONS**

U.S. Appl. No. 29/376,413, filed Oct. 6, 2011(pending).

(Continued)

*Primary Examiner* — Raphael Barkai

(74) *Attorney, Agent, or Firm* — Nixon & Vanderhye, P.C.

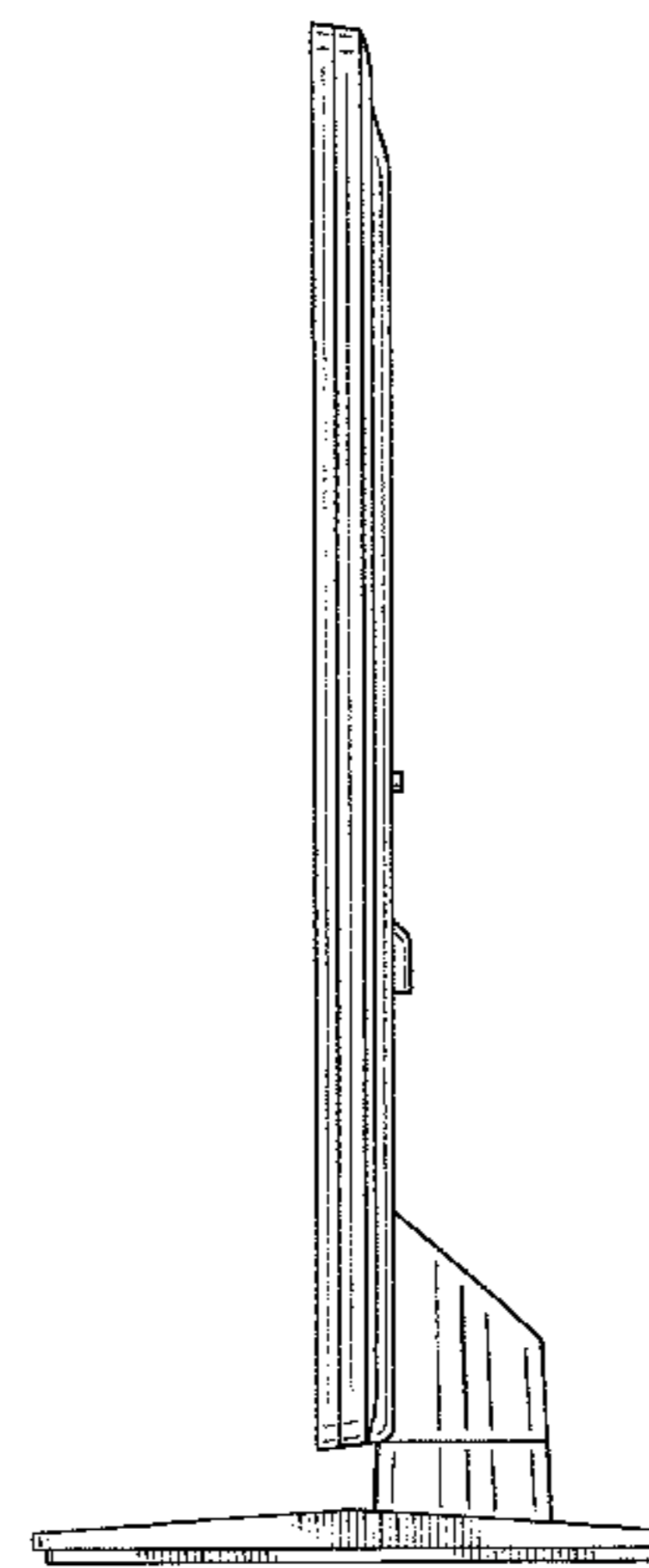
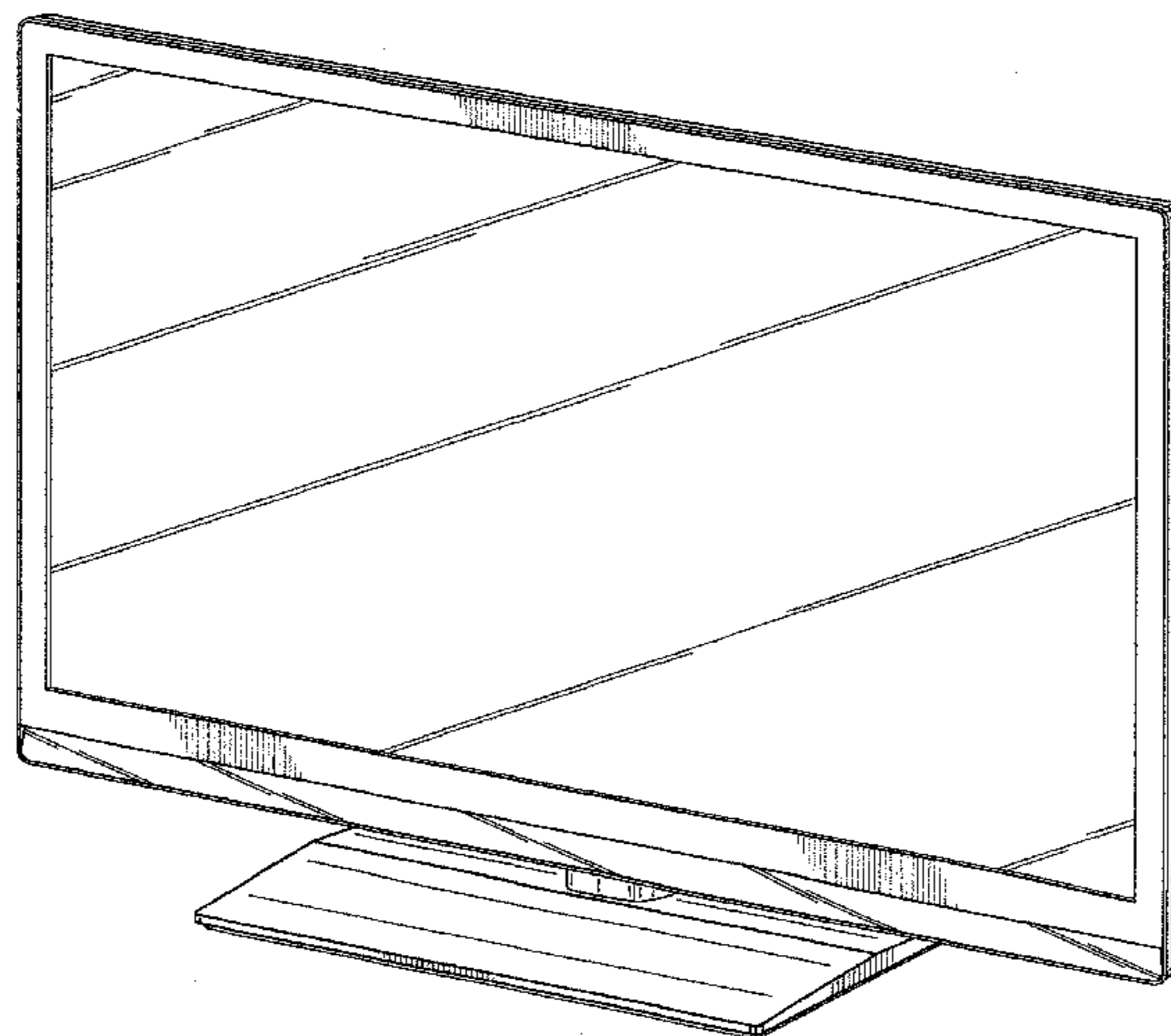
(57) **CLAIM**

The ornamental design for “television set,” as shown and described.

**DESCRIPTION**

FIG. 1 is a right, top, front perspective view of a television set in accordance with our new design; FIG. 2 is a front elevation view thereof; FIG. 3 is a rear elevation view thereof; FIG. 4 is a top plan view thereof; FIG. 5 is a bottom plan view thereof; FIG. 6 is a right side elevation view thereof; and, FIG. 7 is a left side elevation view thereof. Subject matter shown in dotted lines forms no part of the claimed invention.

**1 Claim, 6 Drawing Sheets**



# US D657,327 S

Page 2

## U.S. PATENT DOCUMENTS

D538,762 S 3/2007 Fujii et al.  
D538,763 S 3/2007 Fujii et al.  
D539,766 S 4/2007 Kita  
D540,281 S 4/2007 Kita  
D540,282 S 4/2007 Kita  
D540,284 S 4/2007 Kita  
D540,285 S 4/2007 Kita  
D541,237 S 4/2007 Kita  
D541,240 S 4/2007 Kita  
D541,766 S 5/2007 Kita  
D541,772 S 5/2007 Kita  
D541,774 S 5/2007 Kita  
D541,775 S 5/2007 Kita  
D543,164 S \* 5/2007 Yang et al. .... D14/126  
D543,519 S 5/2007 Kita  
D544,850 S 6/2007 Kita  
D545,282 S 6/2007 Kita  
D545,775 S 7/2007 Kita  
D545,779 S 7/2007 Kita  
D545,780 S 7/2007 Kita  
D546,301 S 7/2007 Kita  
D546,302 S 7/2007 Kita  
D546,303 S 7/2007 Fujii et al.  
D551,187 S 9/2007 Kita  
D552,050 S 10/2007 Fujii et al.  
D552,569 S 10/2007 Kita  
D552,571 S 10/2007 Fujii et al.  
D554,085 S 10/2007 Kita  
D562,275 S 2/2008 Iinuma et al.  
D562,276 S \* 2/2008 Kim et al. .... D14/126  
D564,989 S 3/2008 Kita  
D566,067 S 4/2008 Kita

D567,197 S 4/2008 Kita  
D568,264 S 5/2008 Fujii et al.  
D568,265 S 5/2008 Fujii et al.  
D568,266 S 5/2008 Shimamoto  
D568,844 S 5/2008 Fujii et al.  
D569,816 S \* 5/2008 Fujiki ..... D14/126  
D570,311 S 6/2008 Kita  
D570,312 S 6/2008 Kita  
D571,320 S 6/2008 Kita  
D575,248 S 8/2008 Fujii et al.  
D584,255 S 1/2009 Kita  
D584,256 S 1/2009 Kita  
D584,257 S 1/2009 Kita  
D584,702 S 1/2009 Iinuma et al.  
D584,705 S 1/2009 Shimamoto  
D585,396 S 1/2009 Kita  
D586,769 S 2/2009 Kita  
D606,954 S \* 12/2009 Yamaguchi ..... D14/128  
D618,187 S \* 6/2010 Suzuki ..... D14/126  
D637,167 S \* 5/2011 Tsai et al. .... D14/126  
D638,390 S \* 5/2011 Honda ..... D14/126  
D646,244 S \* 10/2011 Araki ..... D14/126

## OTHER PUBLICATIONS

U.S. Appl. No. 29/389,901, filed Apr. 18, 2011(pending).  
U.S. Appl. No. 29/392,661, filed May 25, 2011(pending).  
U.S. Appl. No. 29/392,662, filed May 25, 2011(pending).  
U.S. Appl. No. 29/392,663, filed May 25, 2011(pending).  
U.S. Appl. No. 29/389,892, filed Apr. 18, 2011(pending).  
U.S. Appl. No. 29/389,893, filed Apr. 18, 2011(pending).

\* cited by examiner

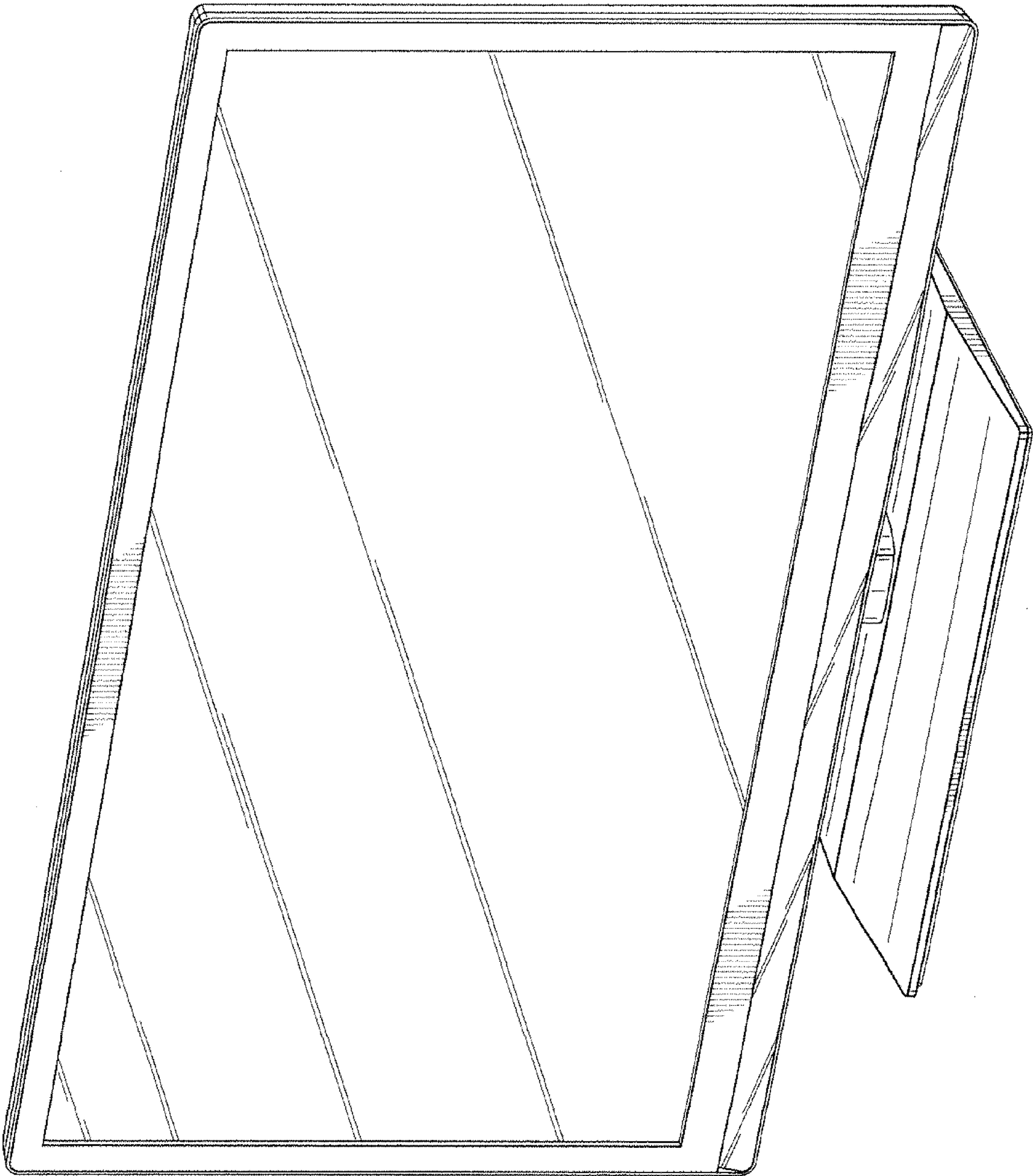


FIG. 1

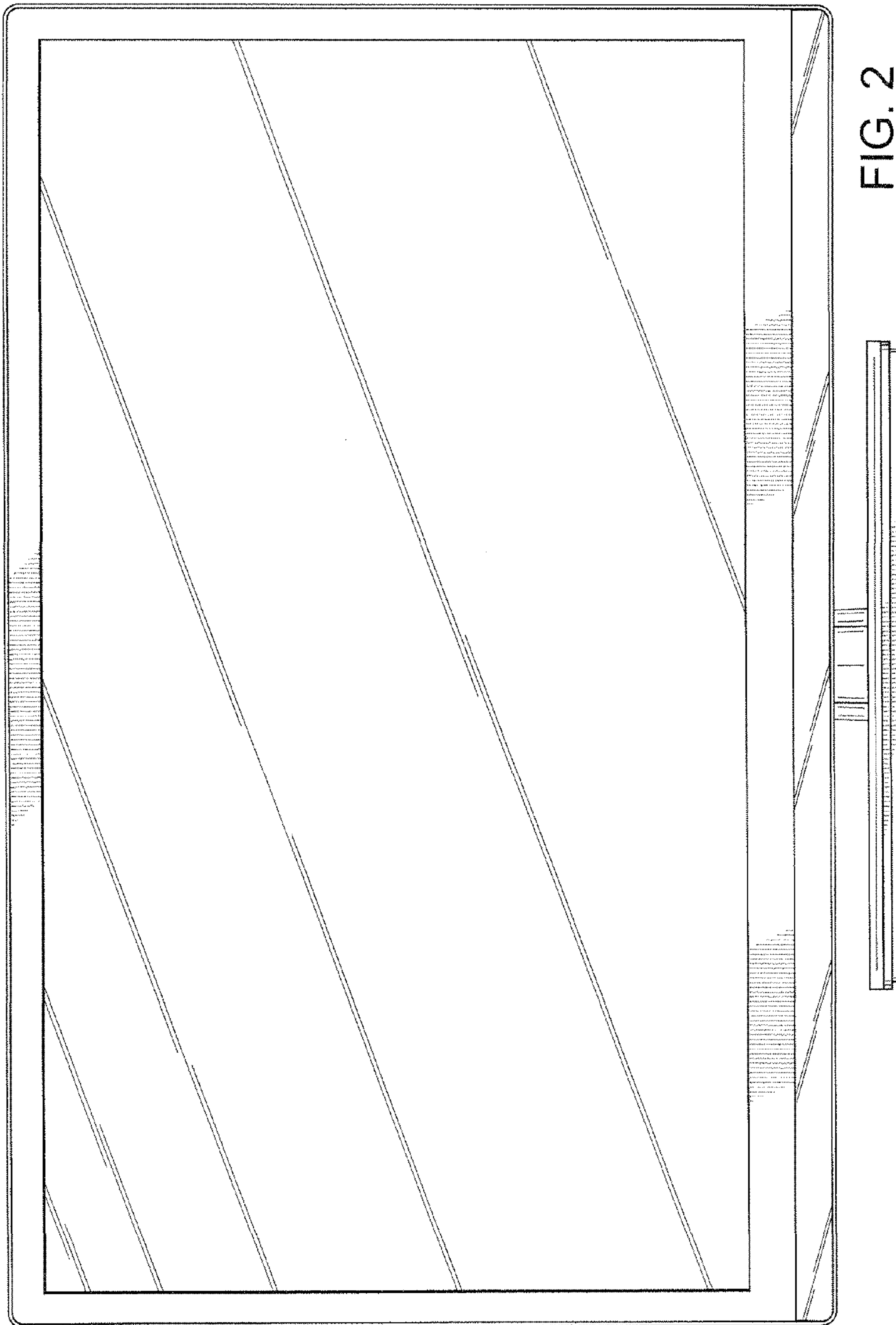


FIG. 2

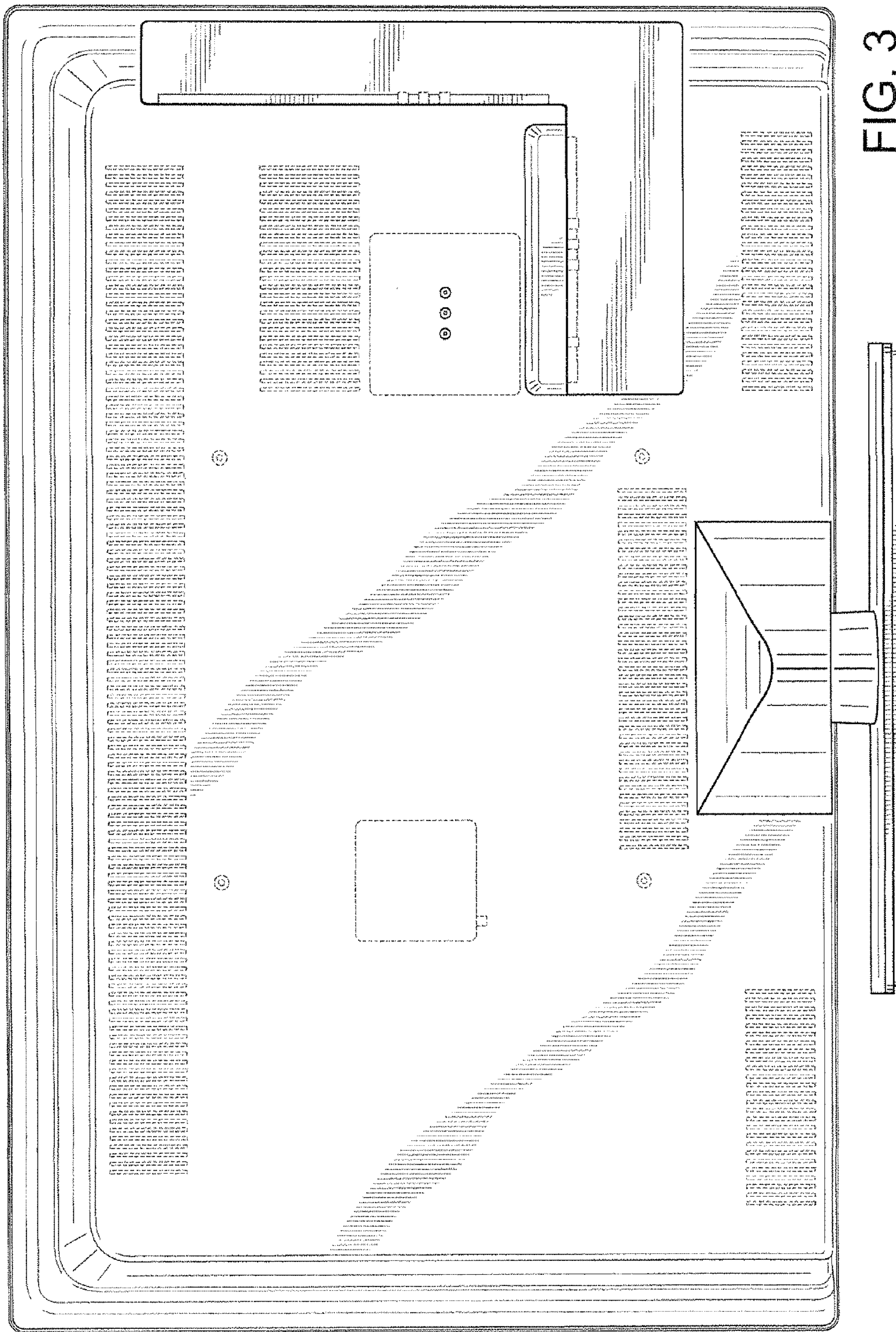


FIG. 3

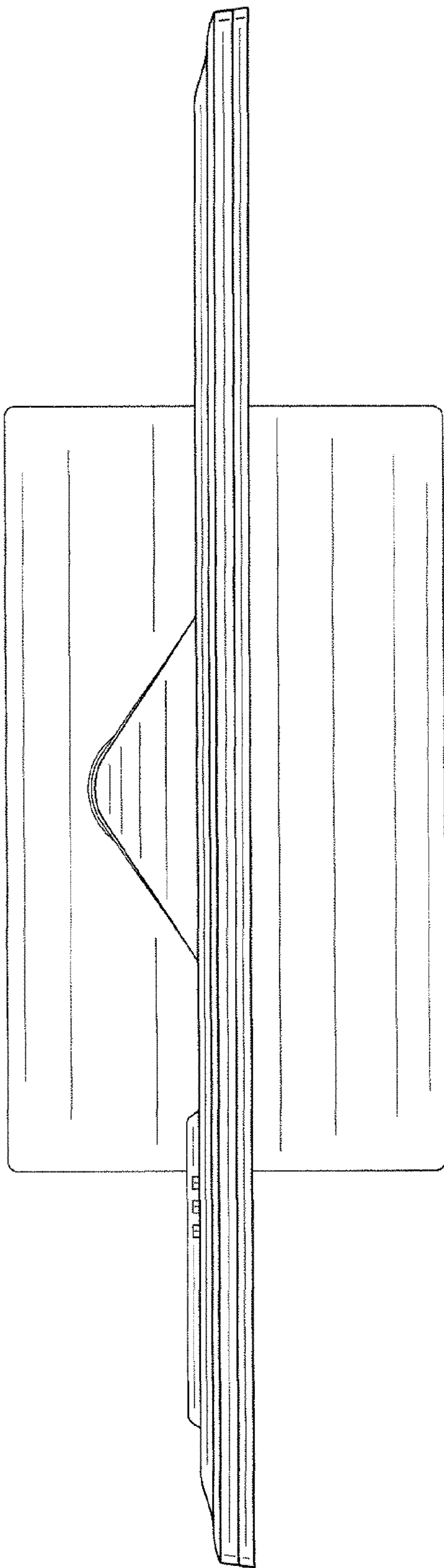


FIG. 4

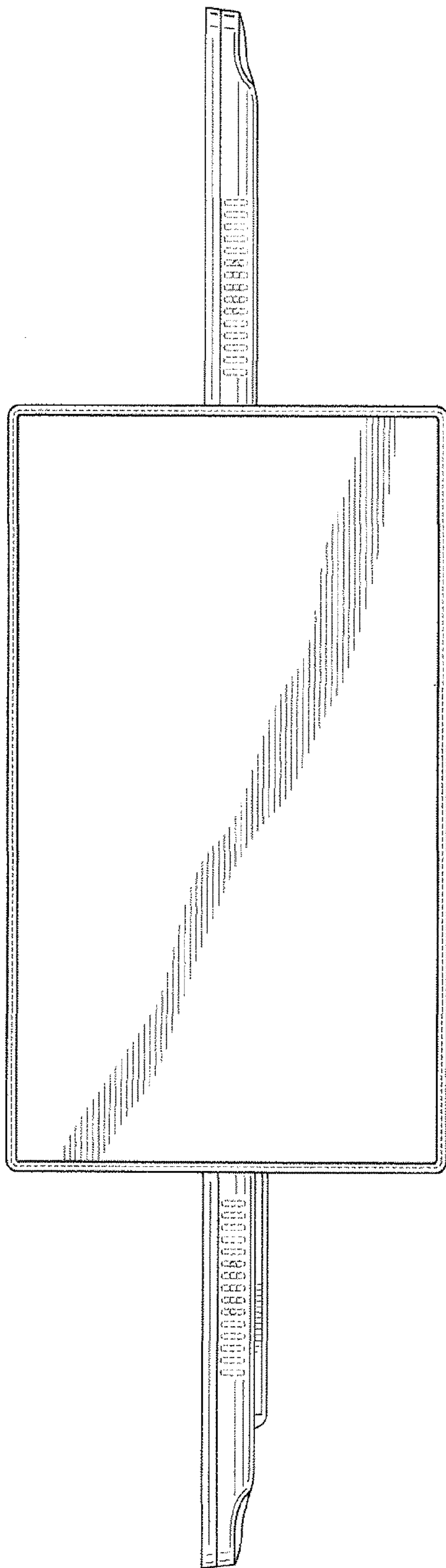


FIG. 5

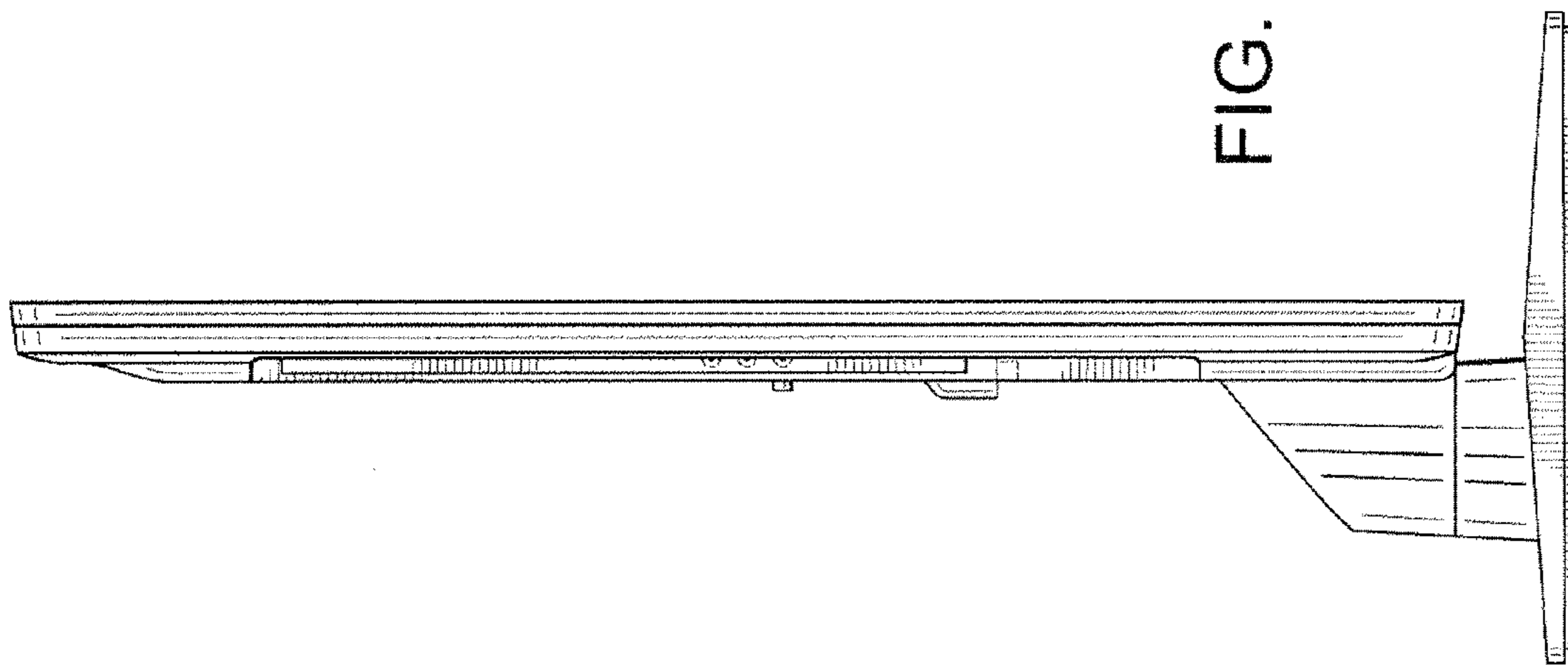


FIG. 7

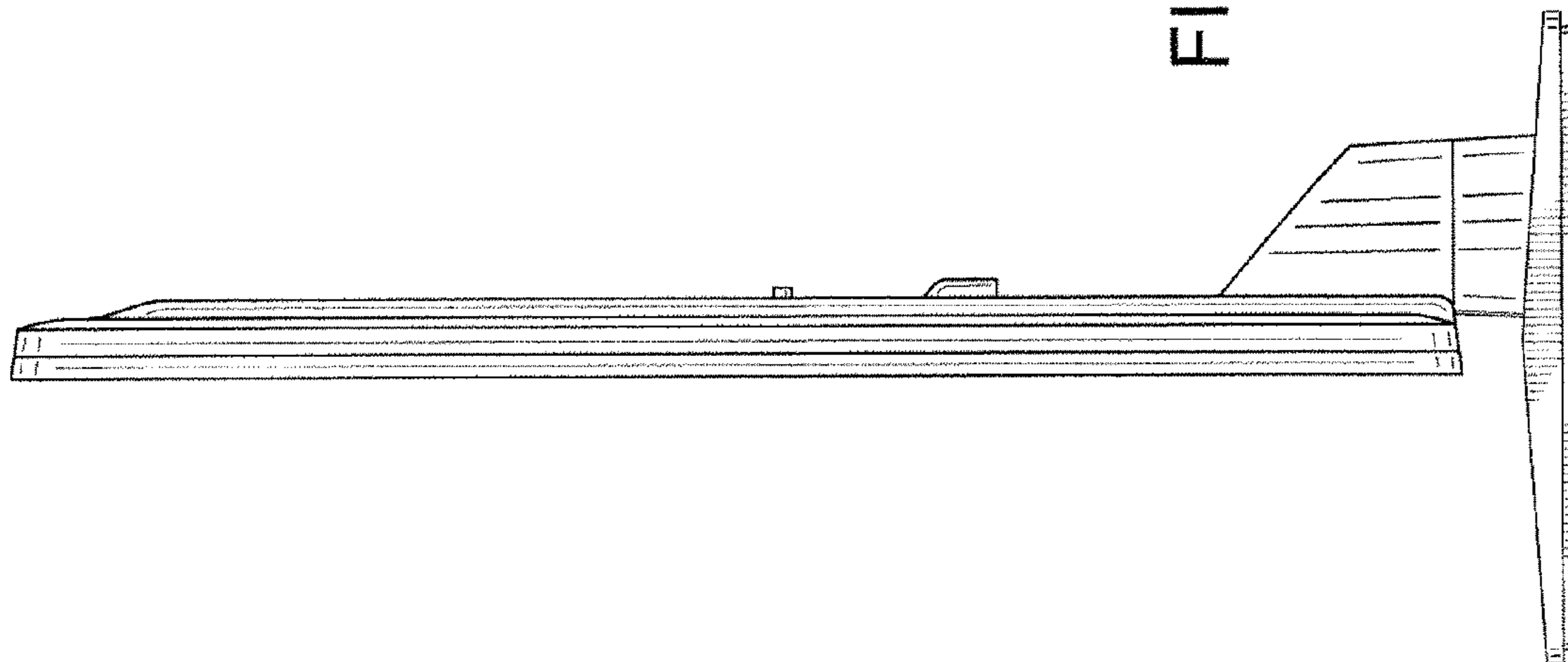


FIG. 6