



US00D657323S

(12) **United States Design Patent**
Kim et al.

(10) **Patent No.:** **US D657,323 S**
(45) **Date of Patent:** **** Apr. 10, 2012**

(54) **LCD TELEVISION RECEIVER**

(75) Inventors: **Yeon Jin Kim**, Seoul (KR); **Kyong Tae Han**, Gyeonggi-do (KR); **Hui Su Yang**, Seoul (KR)

(73) Assignee: **LG Electronics Inc.**, Seoul (KR)

(**) Term: **14 Years**

(21) Appl. No.: **29/353,558**

(22) Filed: **Jan. 11, 2010**

(30) **Foreign Application Priority Data**

Jul. 17, 2009 (KR) 30-2009-0031735

(51) **LOC (9) Cl.** **14-03**

(52) **U.S. Cl.** **D14/126**

(58) **Field of Classification Search** D14/125-134,
D14/239, 371, 136, 374-377; 312/7.2; 348/836,
348/838, 180, 184, 325, 739; 341/12; 248/917-924,
248/465, 123.11; 345/104, 133, 156, 168,
345/87, 173, 169; 349/1, 2, 11, 62; 720/605,
720/669, 600, 655, 99, 197; 455/344-347;
369/99, 197

See application file for complete search history.

(56) **References Cited**

U.S. PATENT DOCUMENTS

D483,020 S * 12/2003 Nagao et al. D14/126
D555,120 S * 11/2007 Shih et al. D14/126

D570,313 S * 6/2008 Shih et al. D14/126
D571,323 S * 6/2008 Profit D14/126
D587,665 S * 3/2009 Isshiki D14/126
D615,511 S * 5/2010 Shin et al. D14/126
D616,400 S * 5/2010 Lee et al. D14/126
D620,903 S * 8/2010 Song et al. D14/126
D621,374 S * 8/2010 Kim et al. D14/126
D623,155 S * 9/2010 Kim et al. D14/126
D624,035 S * 9/2010 Lee et al. D14/126
D628,174 S * 11/2010 Nagase D14/126
D633,062 S * 2/2011 Chino et al. D14/126

* cited by examiner

Primary Examiner — Raphael Barkai
Assistant Examiner — Randall Gholson

(74) *Attorney, Agent, or Firm* — Morgan, Lewis & Bockius LLP

(57) **CLAIM**

We claim the ornamental design for an LCD television receiver, as shown and described.

DESCRIPTION

FIG. 1 is a perspective view of an LCD television receiver showing our new design;
FIG. 2 is a front elevation view thereof;
FIG. 3 is a rear elevation view thereof;
FIG. 4 is a left-side elevation view thereof;
FIG. 5 is a right-side elevation view thereof;
FIG. 6 is a top plan view thereof; and,
FIG. 7 is a bottom plan view thereof.

1 Claim, 5 Drawing Sheets

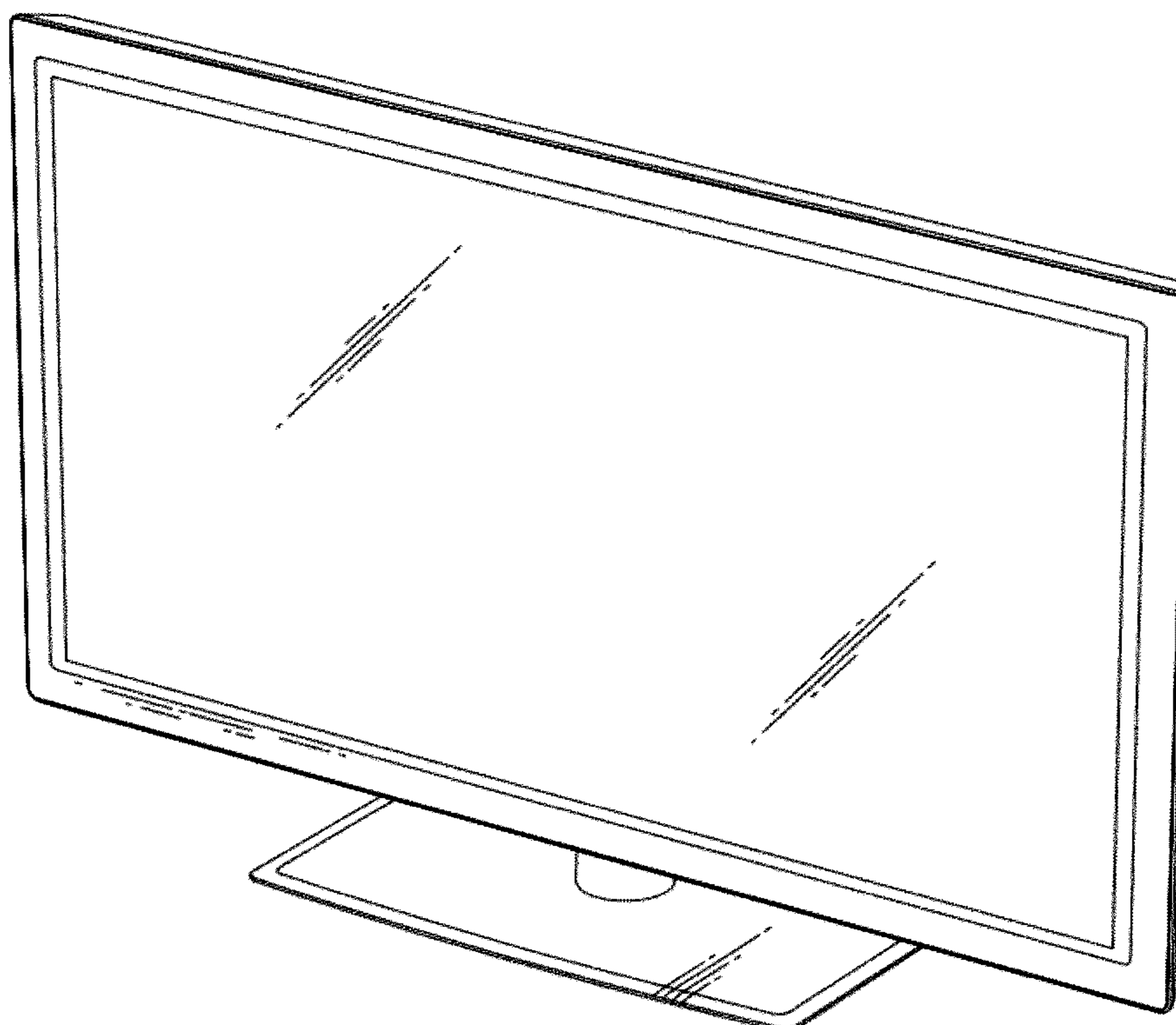


FIG. 1

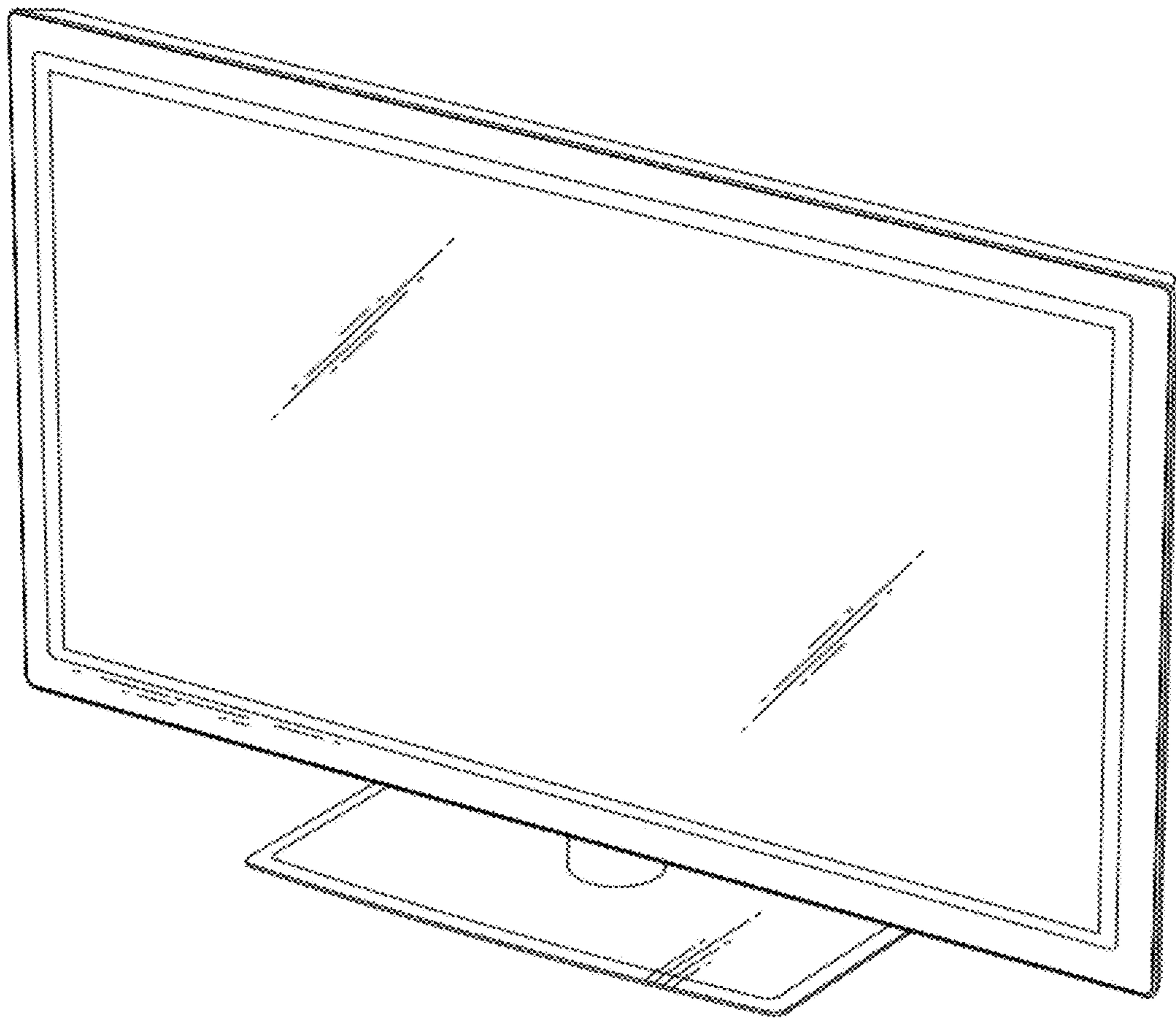


FIG. 2

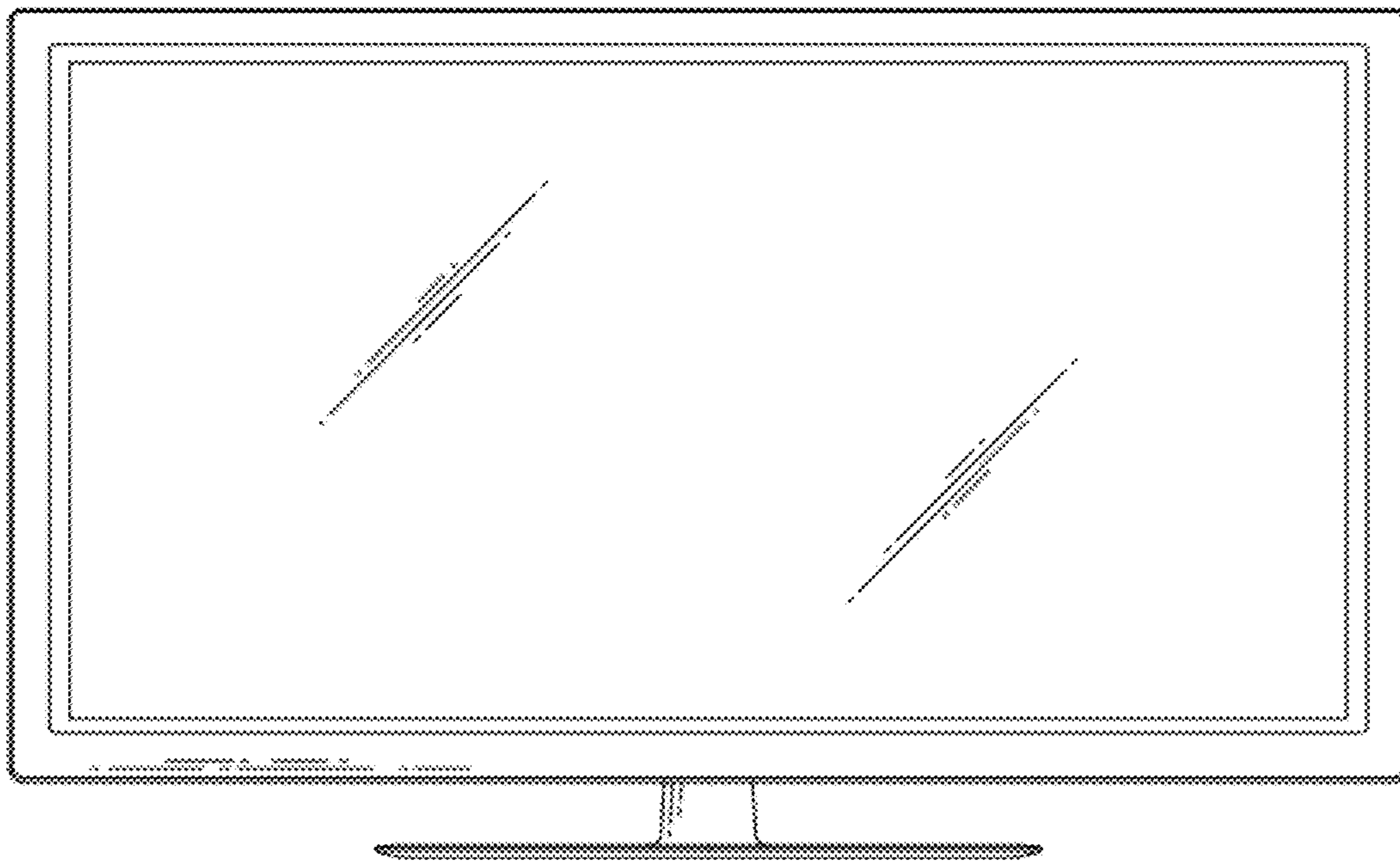


FIG. 3

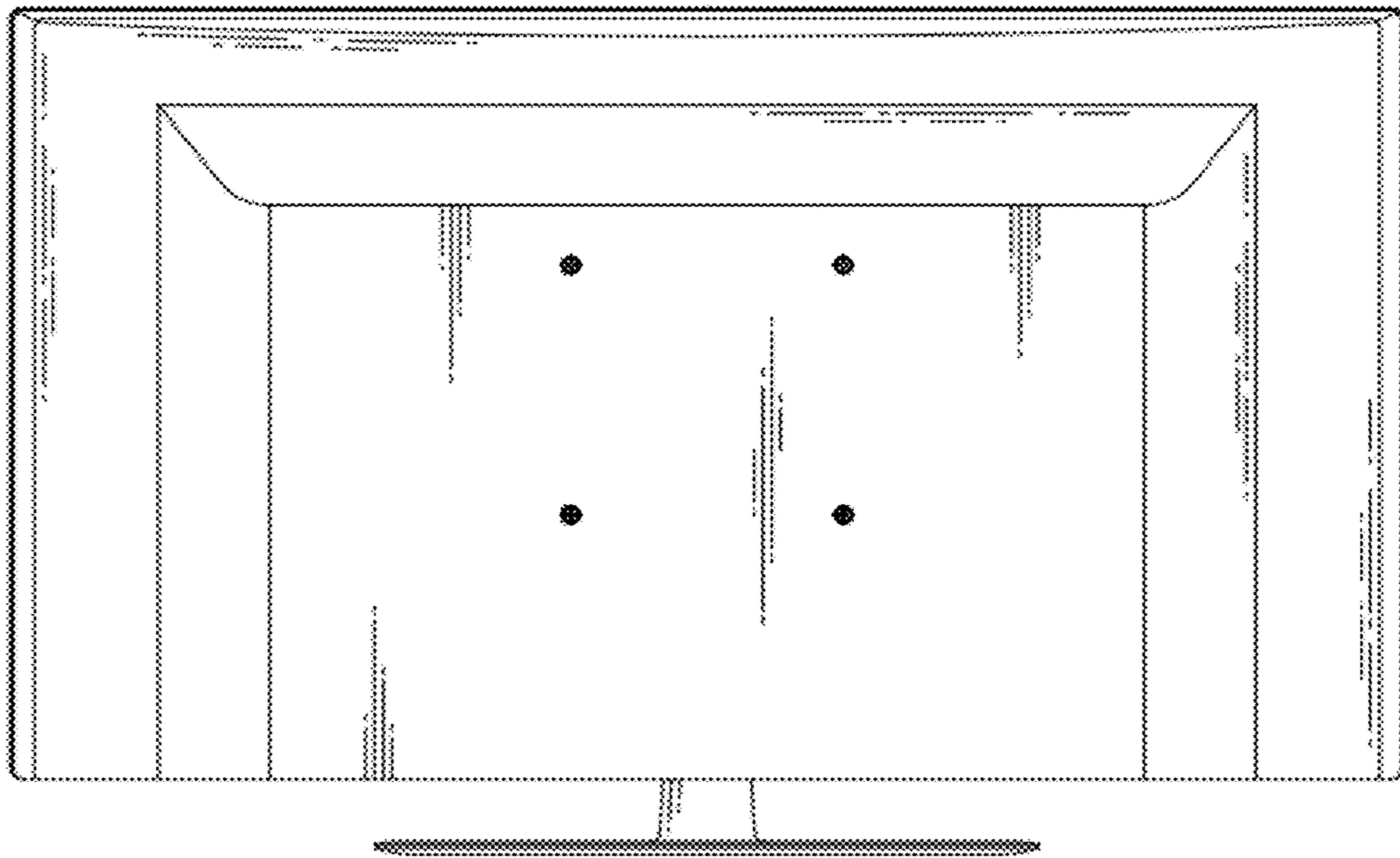


FIG. 4

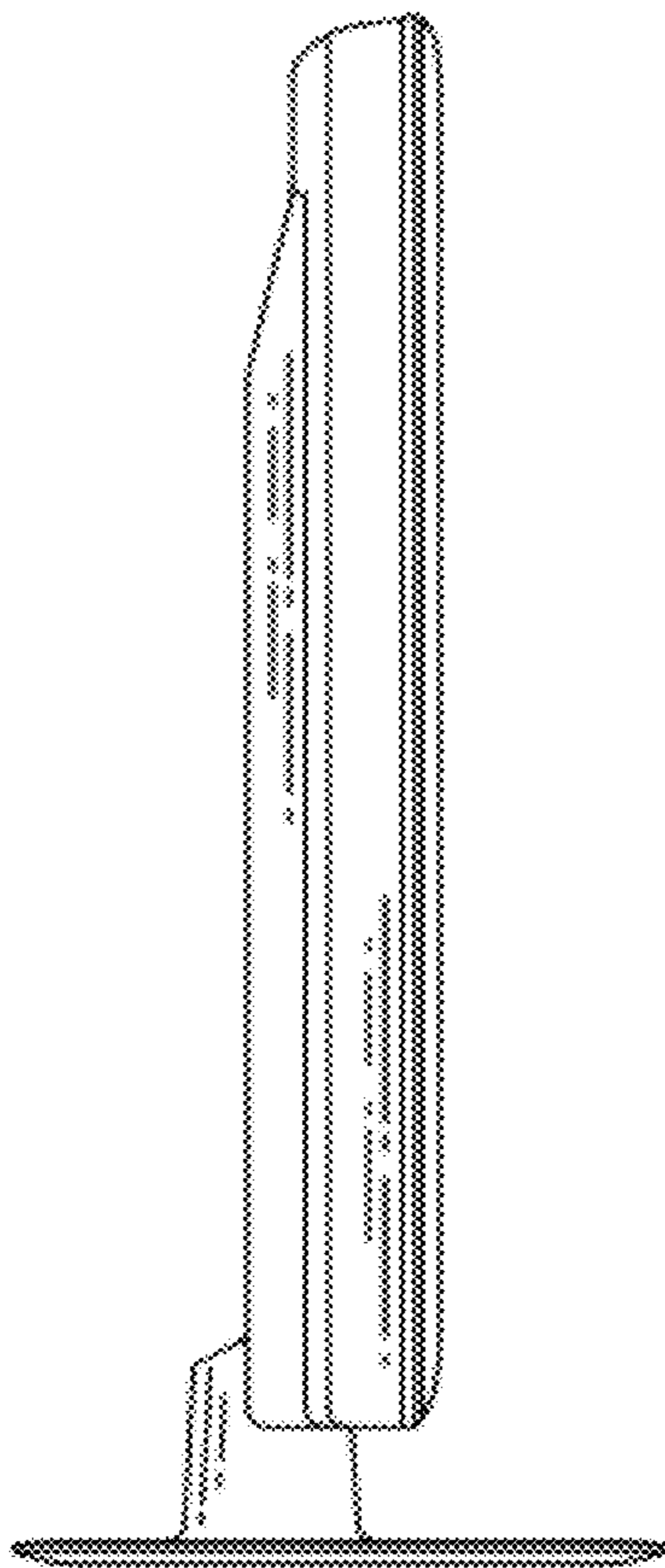


FIG. 5

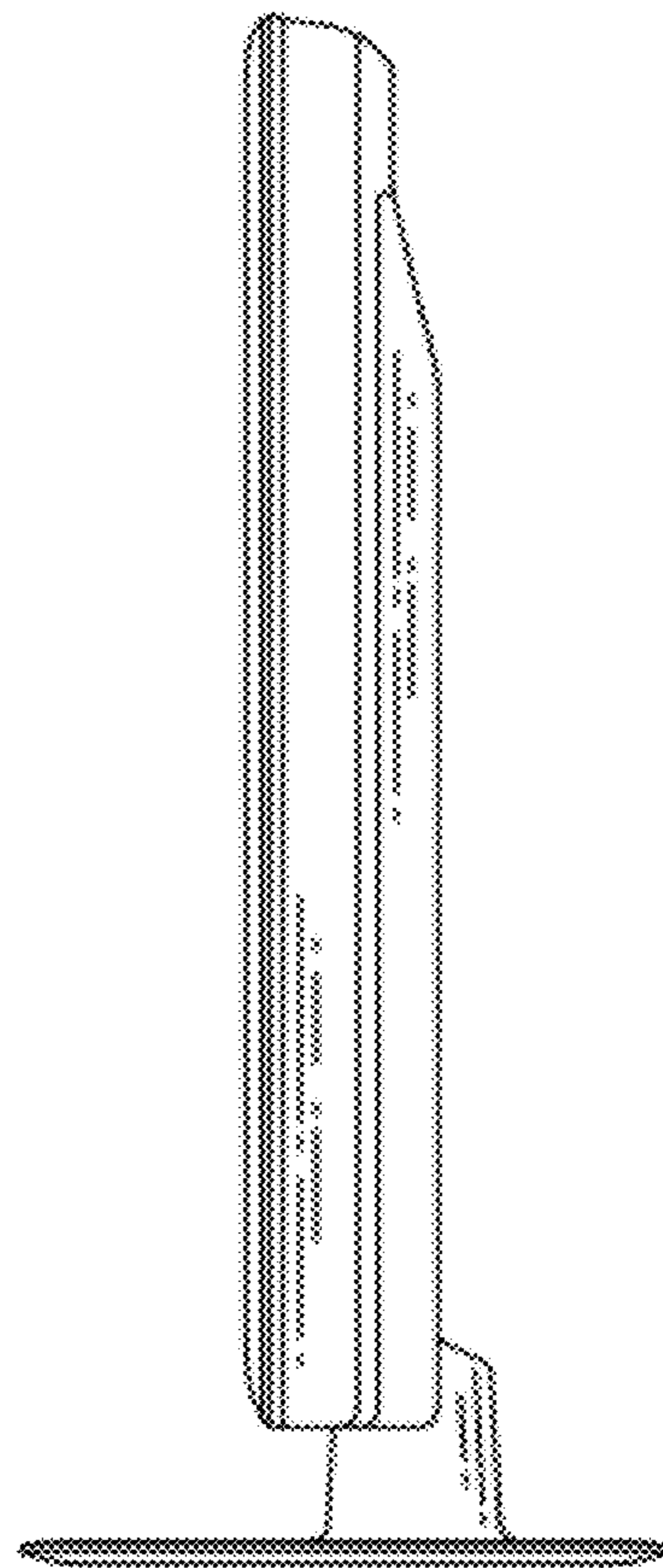


FIG. 6

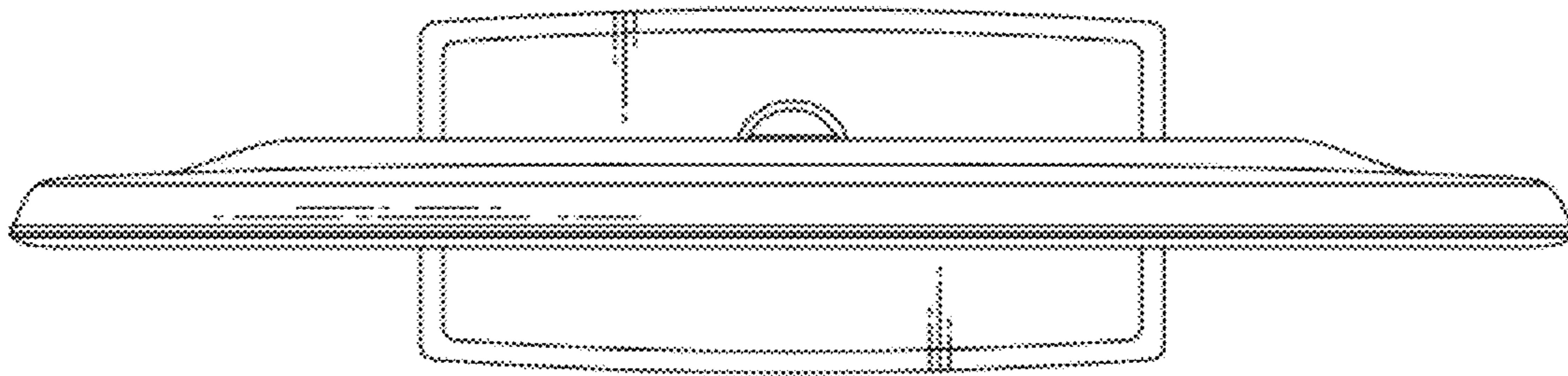


FIG. 7

