



US00D657322S

(12) **United States Design Patent**
Karlsson et al.

(10) **Patent No.:** **US D657,322 S**
(45) **Date of Patent:** **** Apr. 10, 2012**

(54) **FRAME FOR PIPE PENETRATION AND CABLE ENTRIES**

(75) Inventors: **Andreas Karlsson**, Karlskrona (SE);
Stefan Milton, Ramdala (SE)

(73) Assignee: **Roxtec AB**, Karlskrona (SE)

(**) Term: **14 Years**

(21) Appl. No.: **29/371,606**

(22) Filed: **May 12, 2011**

Related U.S. Application Data

(62) Division of application No. 29/309,426, filed on Aug. 15, 2008, now Pat. No. Des. 645,428.

Foreign Application Priority Data

Feb. 15, 2008 (EM) 000879713
Apr. 25, 2008 (EM) 000924352

(51) **LOC (9) Cl.** **13-99**

(52) **U.S. Cl.** **D13/199**

(58) **Field of Classification Search** D13/133,
D13/147, 153, 154, 155, 184, 199; D8/354,
D8/355, 356, 357, 358, 359, 360.1; 174/48,
174/68.3, 95, 101

See application file for complete search history.

(56) **References Cited**

U.S. PATENT DOCUMENTS

D460,736 S 7/2002 Pincek et al.
D465,201 S 11/2002 Gershfeld
D473,525 S 4/2003 Pincek et al.
6,610,927 B2* 8/2003 Dinh et al. 174/66
6,835,890 B2 12/2004 Dinh et al.
6,943,297 B2* 9/2005 Capella 174/66

D537,785 S 3/2007 Pincek
7,276,662 B2 10/2007 Drane
D556,139 S 11/2007 Gershfeld
7,348,487 B2 3/2008 Drane
D569,863 S 5/2008 Feldstein et al.
7,579,549 B2 8/2009 Jolly
D622,219 S 8/2010 Byrne
7,968,794 B1* 6/2011 Baldwin 174/67

* cited by examiner

Primary Examiner — T. Chase Nelson

Assistant Examiner — Ania Aman

(74) *Attorney, Agent, or Firm* — Harness, Dickey & Pierce, P.L.C.

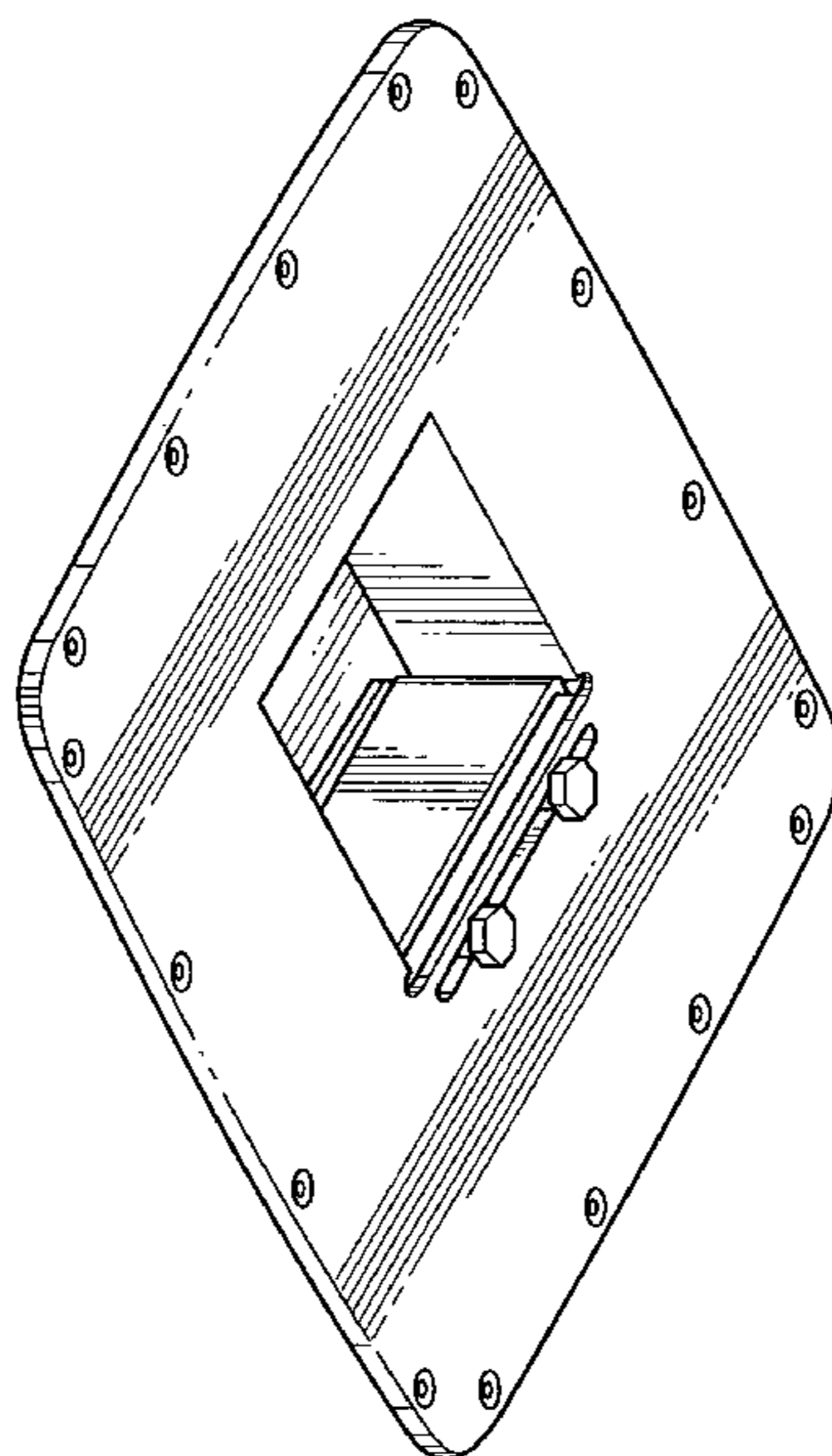
(57) **CLAIM**

The ornamental design for a frame for pipe penetration and cable entries, as shown and described.

DESCRIPTION

FIG. 1 is a bottom perspective view of a frame for pipe penetration and cable entries showing our new design; FIG. 2 is a top perspective view thereof; FIG. 3 is an end elevation view from one side thereof; FIG. 4 is a side elevation view from one side thereof; FIG. 5 is a top plan view thereof; FIG. 6 is a side elevation view from the other side thereof; FIG. 7 is an end elevation view from the other side thereof. FIG. 8 is a bottom perspective view of an alternative embodiment of our design; FIG. 9 is a top perspective view thereof; FIG. 10 is an end elevation view from one side thereof; FIG. 11 is a side elevation view from one side thereof; FIG. 12 is a top plan view thereof; FIG. 13 is a side elevation view from the other side thereof; and, FIG. 14 is an end elevation view from the other side thereof.

1 Claim, 6 Drawing Sheets



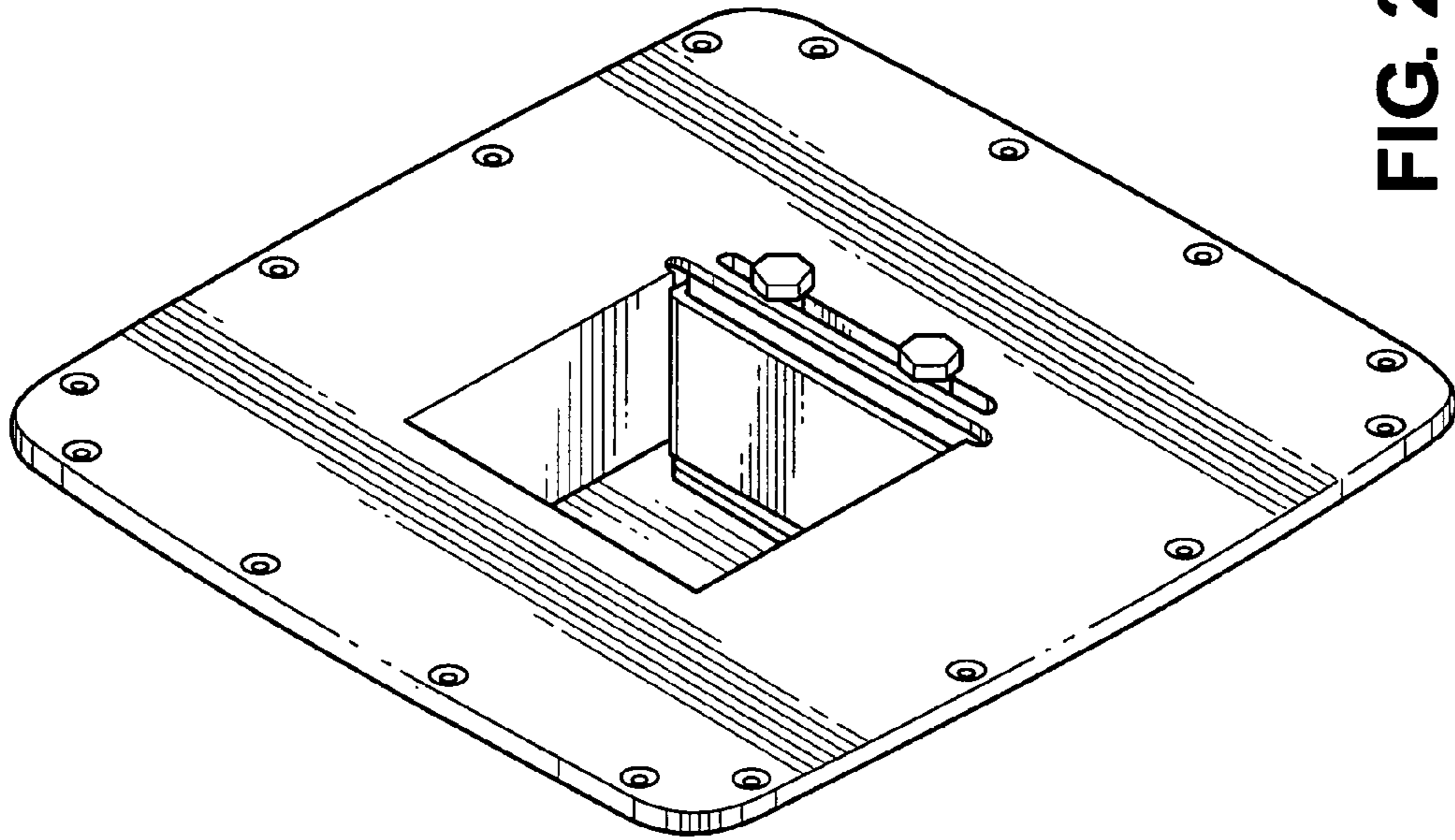


FIG. 2

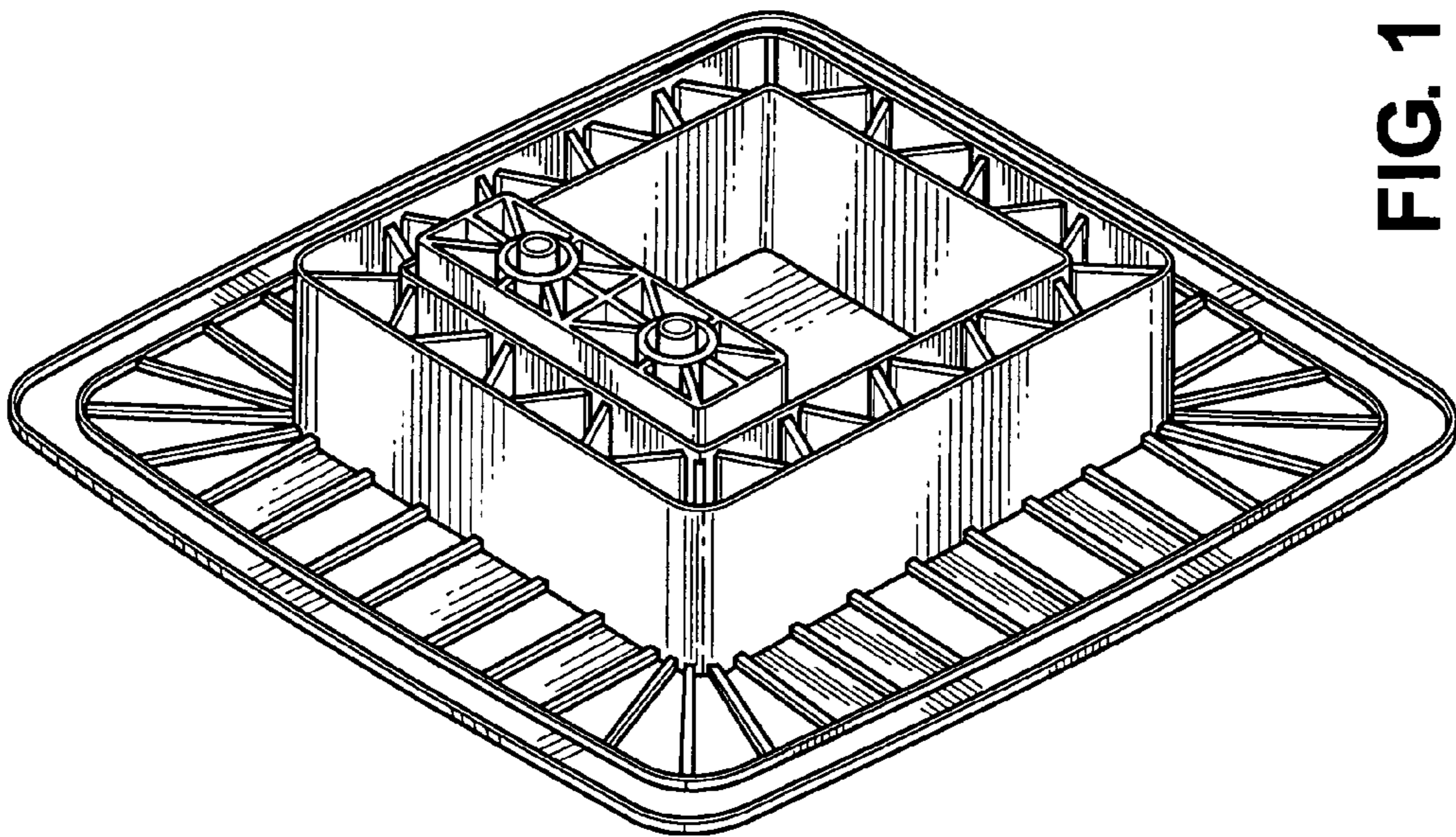


FIG. 1

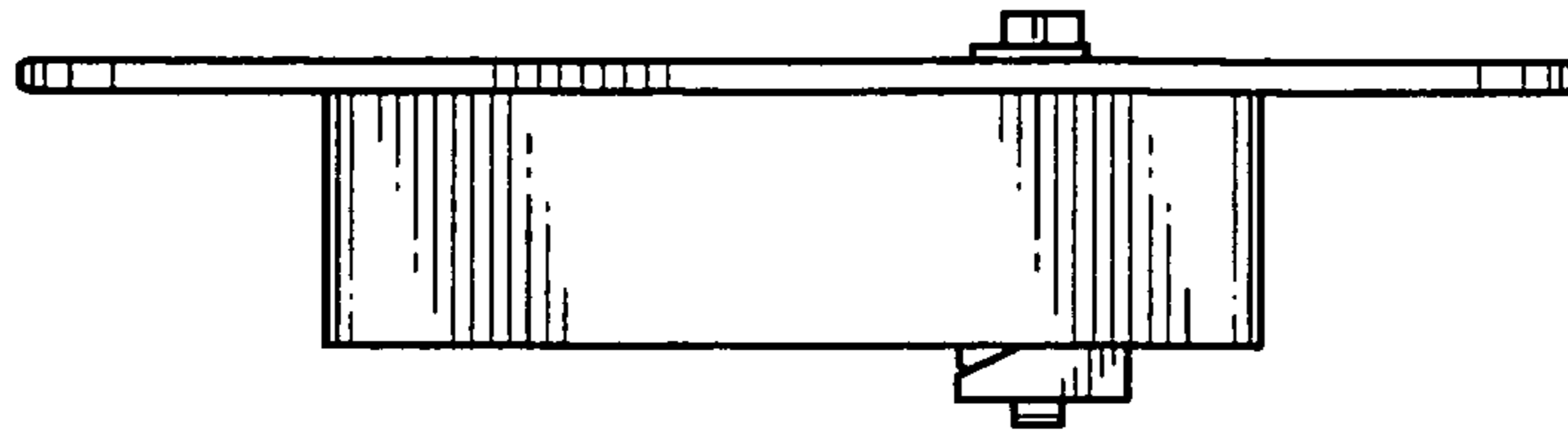


FIG. 3

FIG. 4

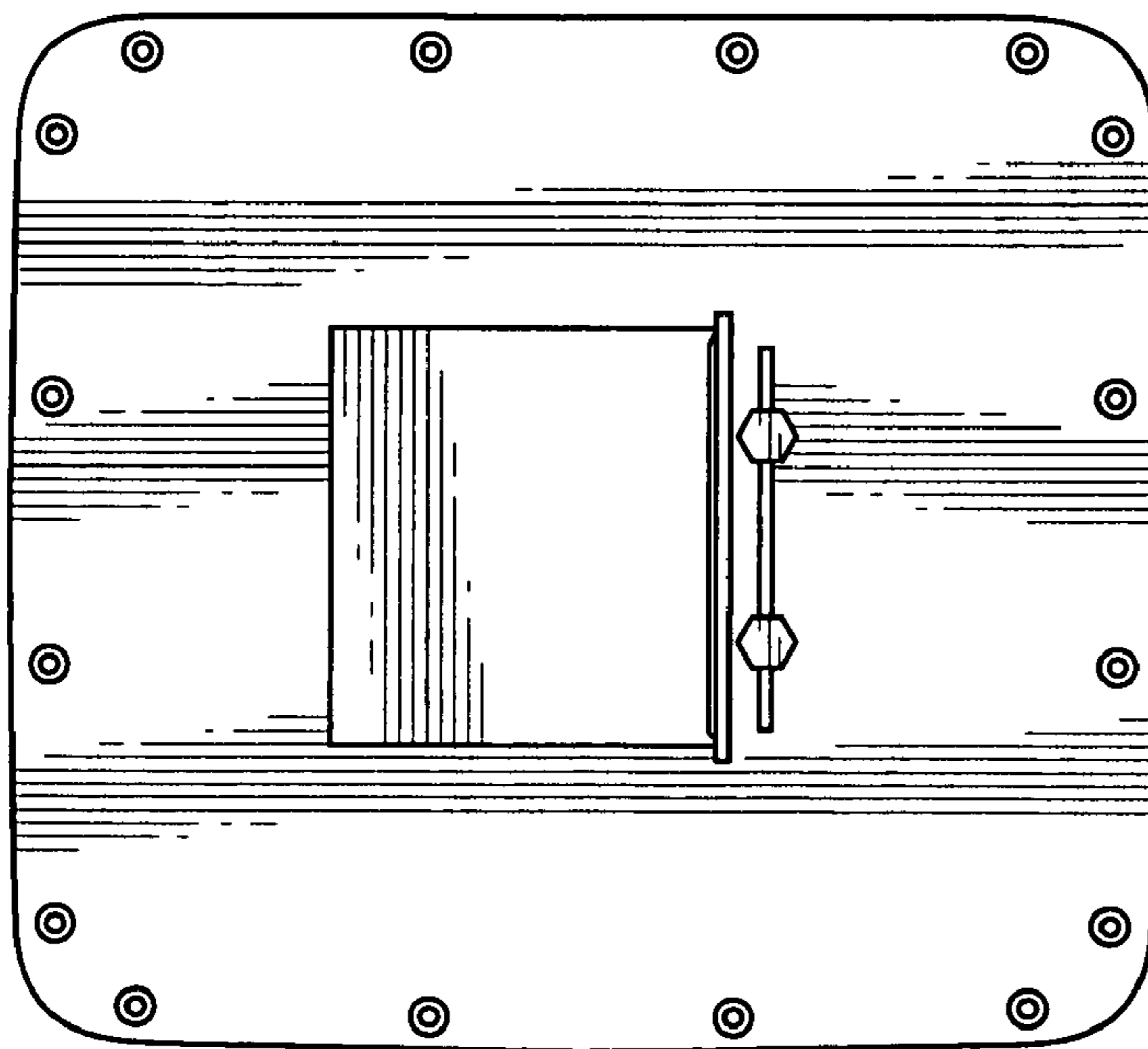
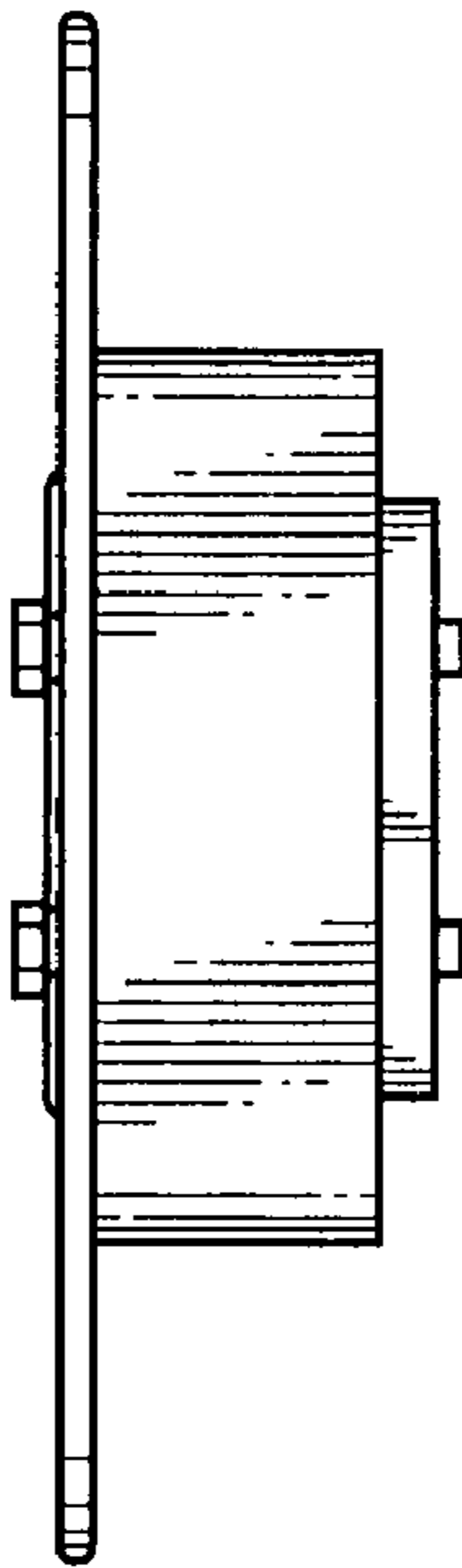


FIG. 5

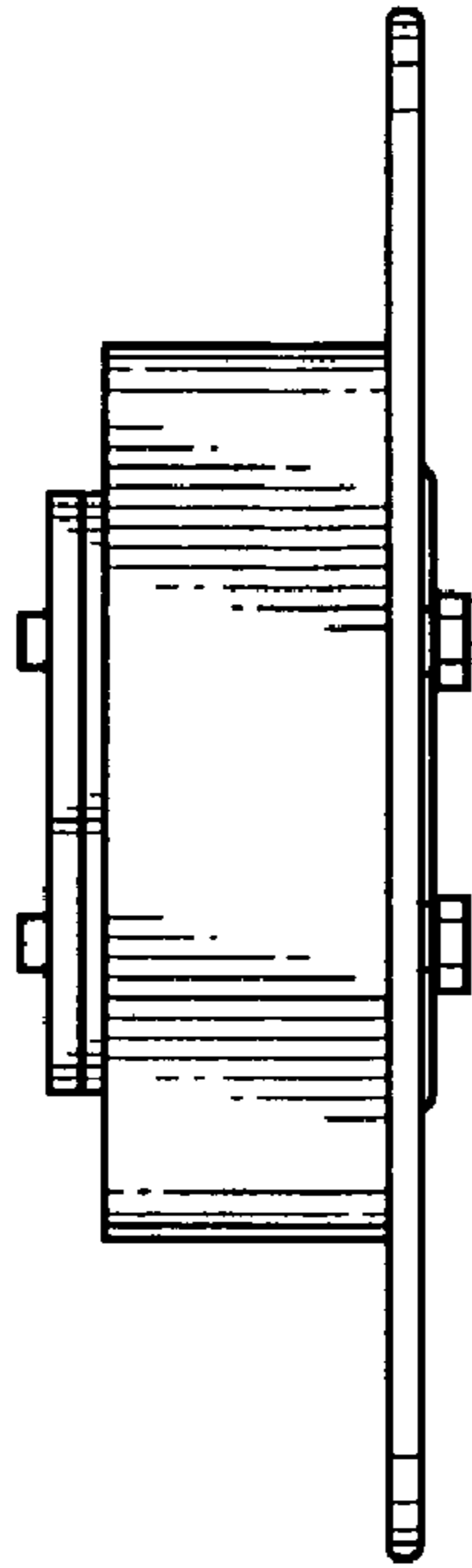


FIG. 6

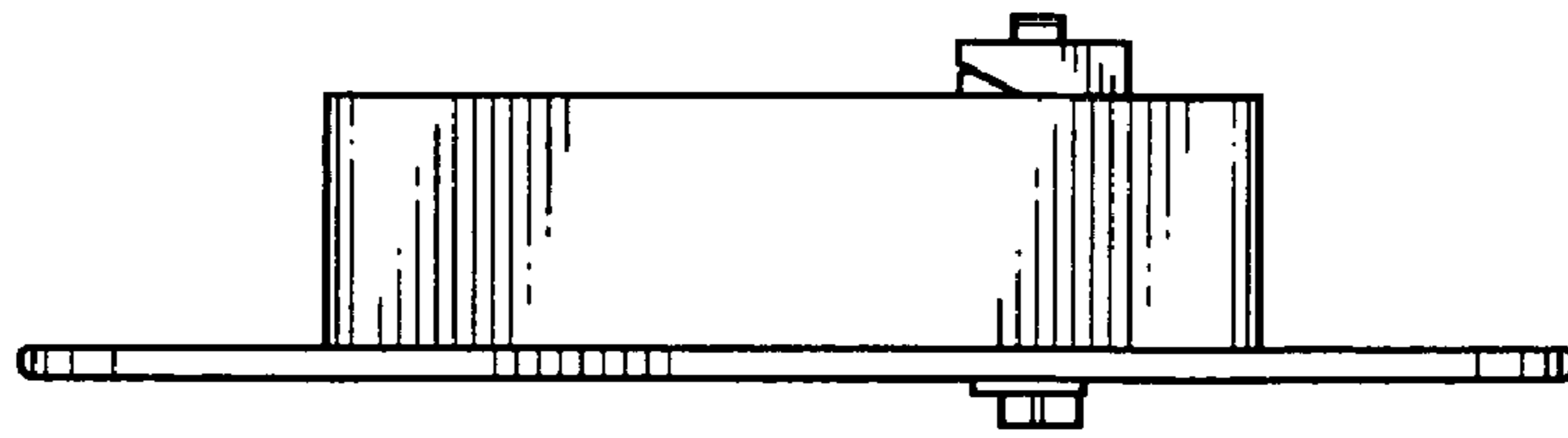


FIG. 7

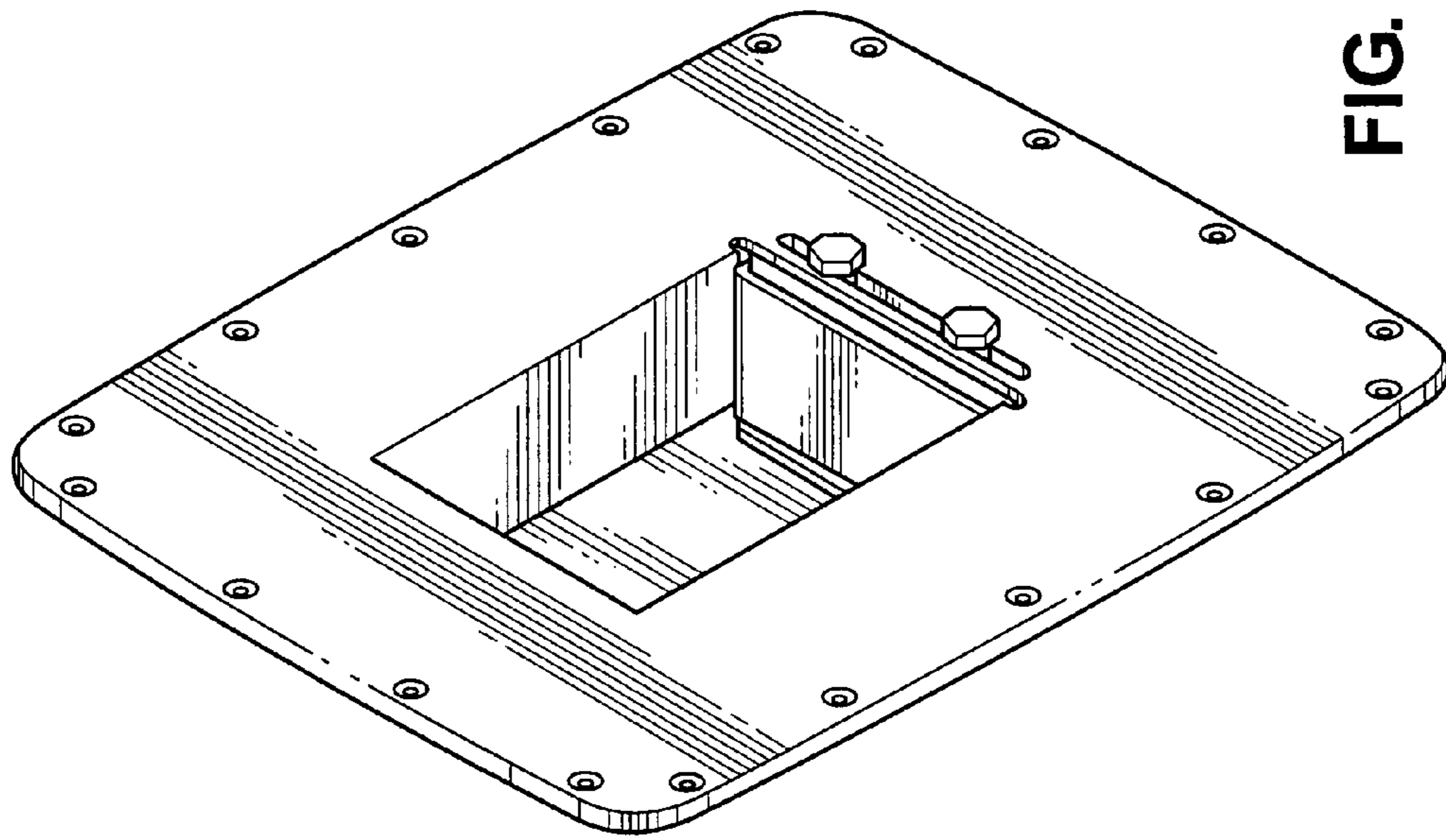


FIG. 9

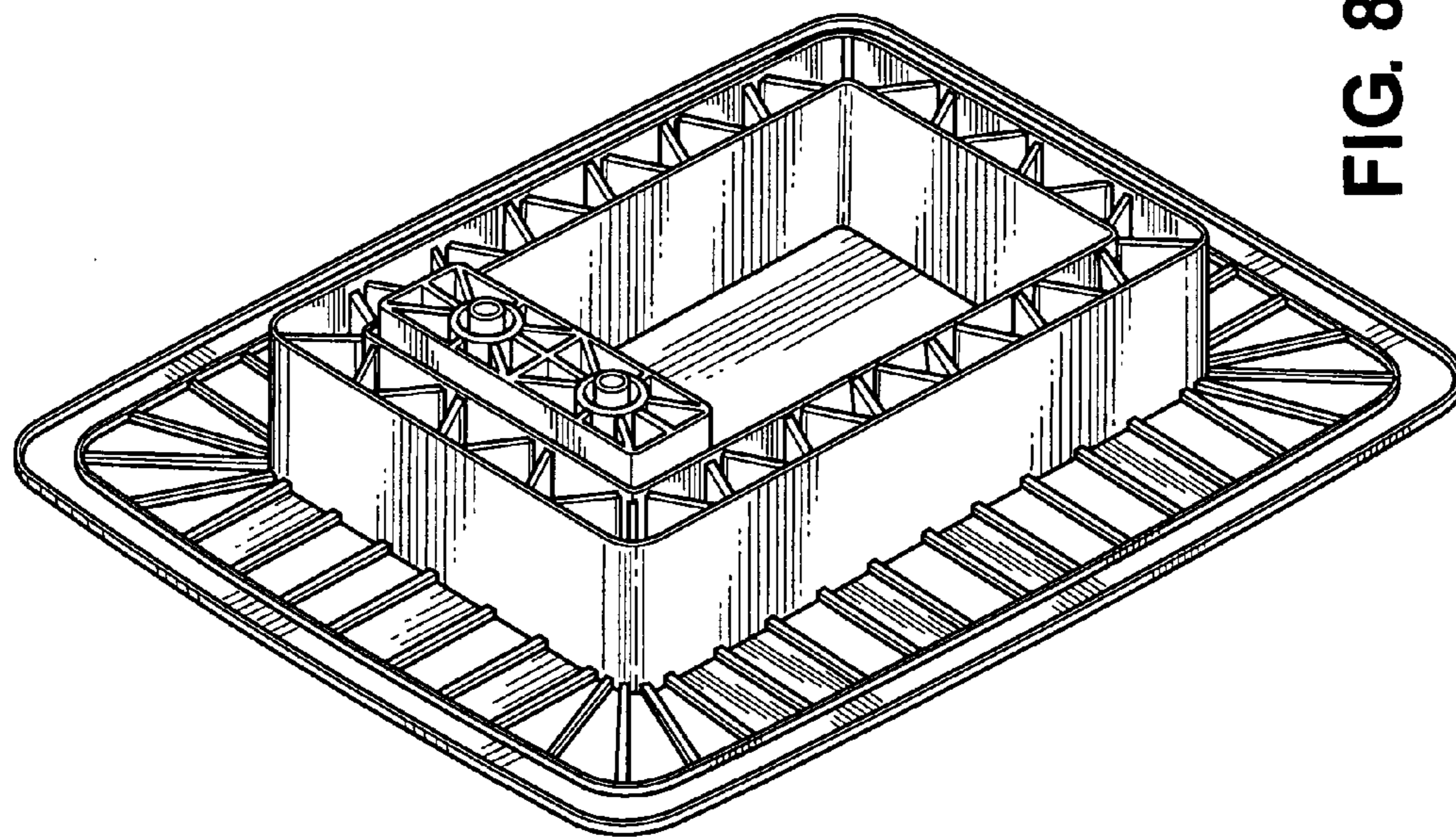


FIG. 8

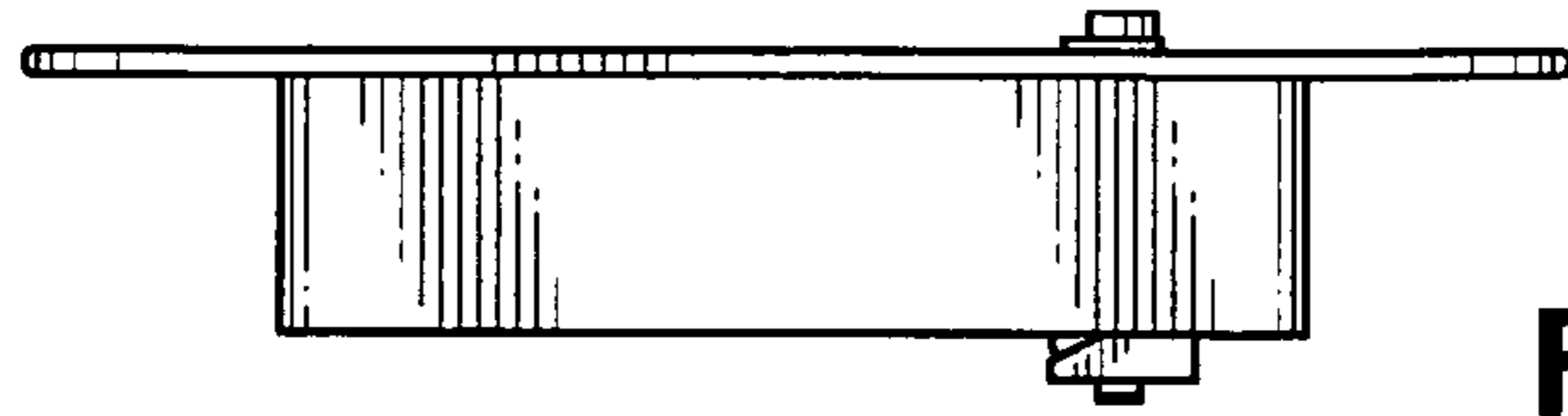


FIG. 10

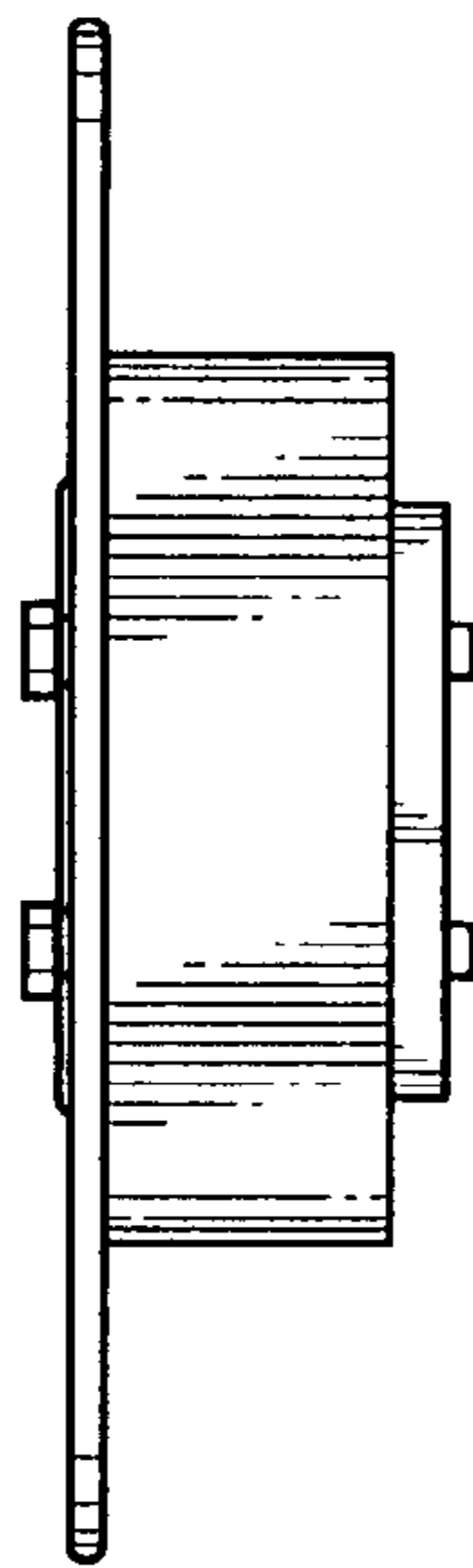


FIG. 11

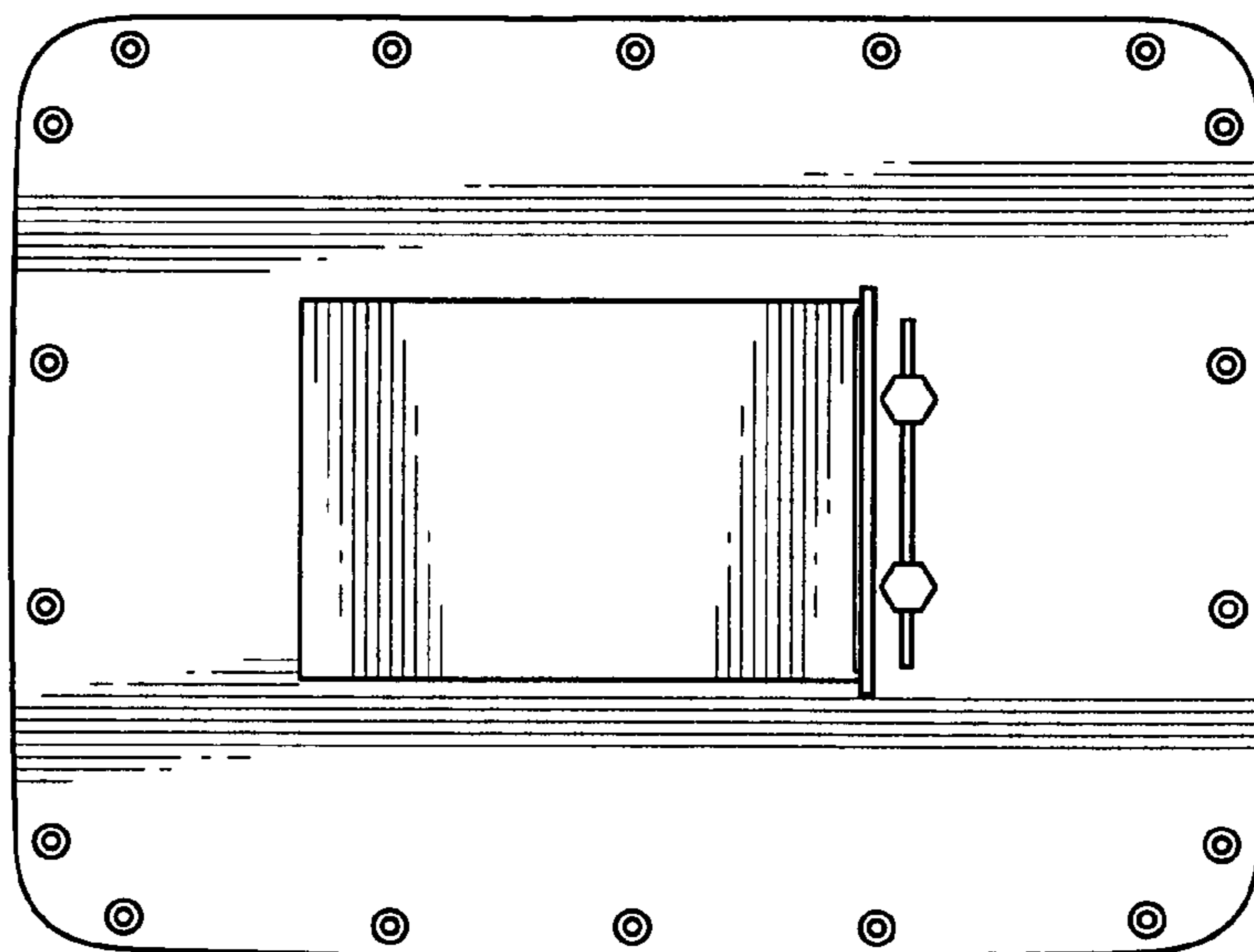


FIG. 12

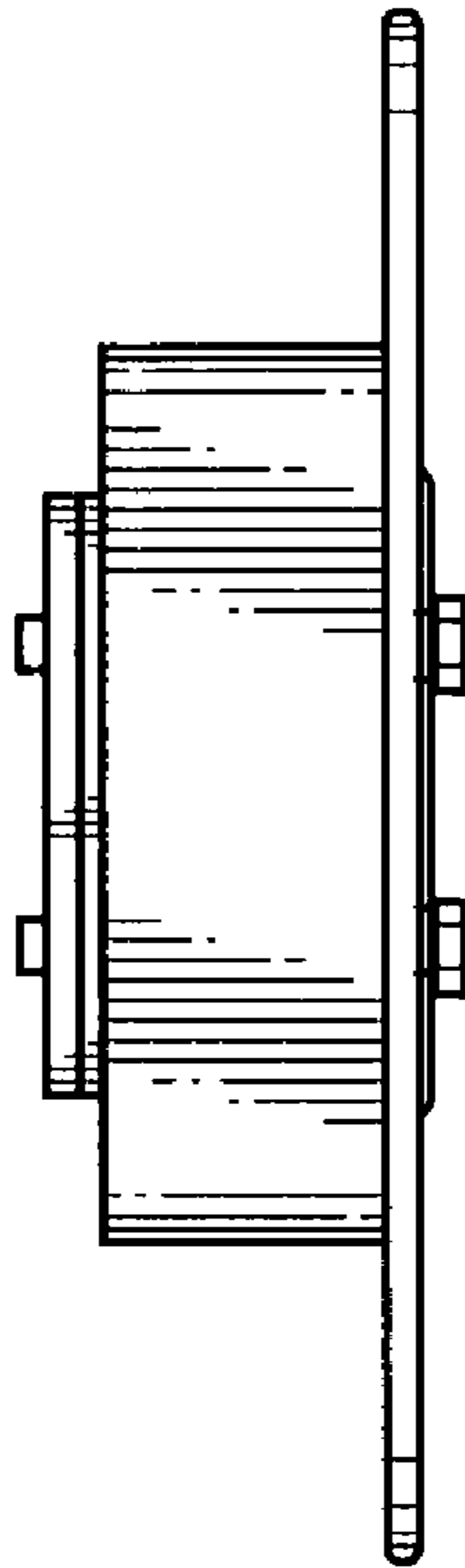


FIG. 13

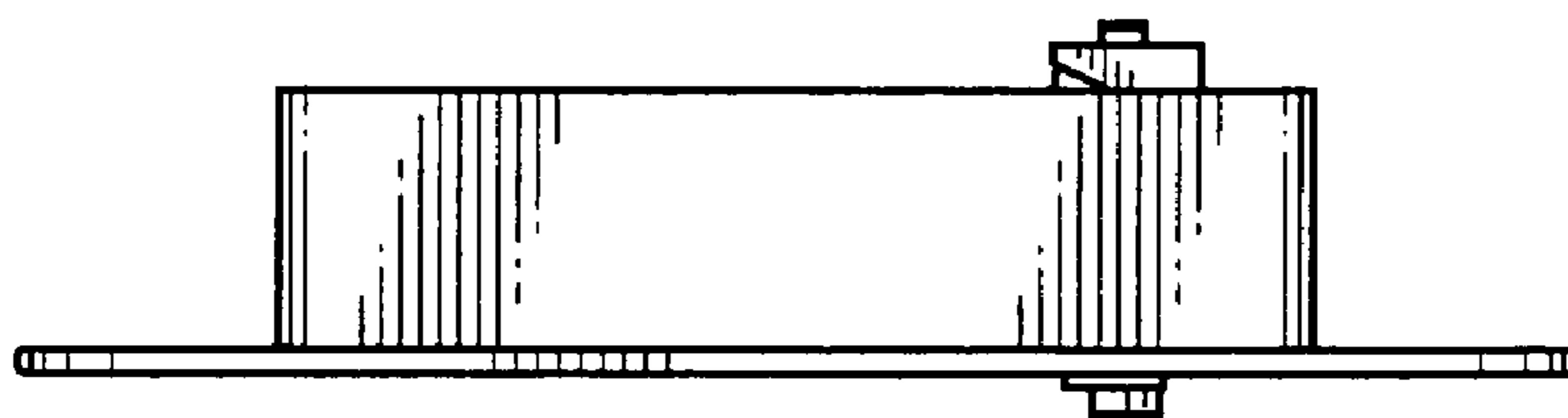


FIG. 14