



US00D657320S

(12) **United States Design Patent**
Hoffman et al.

(10) **Patent No.:** **US D657,320 S**

(45) **Date of Patent:** **** Apr. 10, 2012**

(54) **ELECTRICAL DEVICE**

(75) Inventors: **Jerry R. Hoffman**, Hickory, NC (US);
Selin Tansi-Glickman, Woodbury, NY
(US); **Kent D. Pilcher**, Holland, MI
(US); **Joel Van Faasen**, Holland, MI
(US); **Gordon Stannis**, Holland, MI
(US); **Kenneth J. Orr**, West Olive, MI
(US)

(73) Assignee: **Leviton Manufacturing Co., Inc.**,
Melville, NY (US)

(**) Term: **14 Years**

(21) Appl. No.: **29/360,545**

(22) Filed: **Apr. 27, 2010**

(51) **LOC (9) Cl.** **13-03**

(52) **U.S. Cl.** **D13/174; D13/169**

(58) **Field of Classification Search** D13/162,
D13/169, 174; D10/40; 307/139, 157; 315/209 R,
315/224, 246, 291, 295; 200/5 R, 5 A, 553,
200/252, 293, 296, 308, 315, 329, 339
See application file for complete search history.

(56) **References Cited**

U.S. PATENT DOCUMENTS

3,432,611	A *	3/1969	Gaines et al.	174/66
D310,992	S *	10/1990	Rosenbaum et al.	D13/170
D333,124	S *	2/1993	Carson	D13/169
5,384,441	A	1/1995	Balaban et al.	
6,339,201	B1	1/2002	Balaban et al.	
D500,686	S *	1/2005	Stekelenburg	D10/40
D500,687	S *	1/2005	Morrison et al.	D10/40
D500,743	S *	1/2005	Savicki et al.	D13/169
6,891,117	B1 *	5/2005	Gouhl et al.	200/339
6,903,292	B2	6/2005	Balaban et al.	
D507,245	S *	7/2005	Savicki et al.	D13/169
7,164,082	B2	1/2007	Kurek et al.	
7,211,756	B2	5/2007	Balaban et al.	

7,415,310	B2	8/2008	Bovee et al.	
D583,336	S *	12/2008	Ni	D13/170
D595,604	S *	7/2009	Schmalz et al.	D10/106.8
D595,664	S *	7/2009	Simard et al.	D13/162
D603,983	S	11/2009	Richter et al.	
D603,984	S	11/2009	Richter et al.	
D603,985	S	11/2009	Richter et al.	
D604,873	S	11/2009	Richter et al.	
D616,838	S *	6/2010	Samuels et al.	D13/170

FOREIGN PATENT DOCUMENTS

MX	28466	12/2008
MX	29052	12/2008
WO	2010/070376 A1	6/2010

* cited by examiner

Primary Examiner — Selina Sikder

(74) *Attorney, Agent, or Firm* — Marger Johnson & McCollom PC

(57) **CLAIM**

The ornamental design for an electrical device, as shown and described.

DESCRIPTION

A portion of the disclosure of this patent document contains material which is subject to copyright protection. The copyright owner has no objection to the facsimile reproduction by anyone of the patent disclosure, as it appears in the Patent and Trademark Office patent files or records, but otherwise reserves all copyright rights whatsoever.

FIG. 1 is a perspective view of a design for an electrical device;

FIG. 2 is a front elevation view thereof;

FIG. 3 is a top plan view thereof;

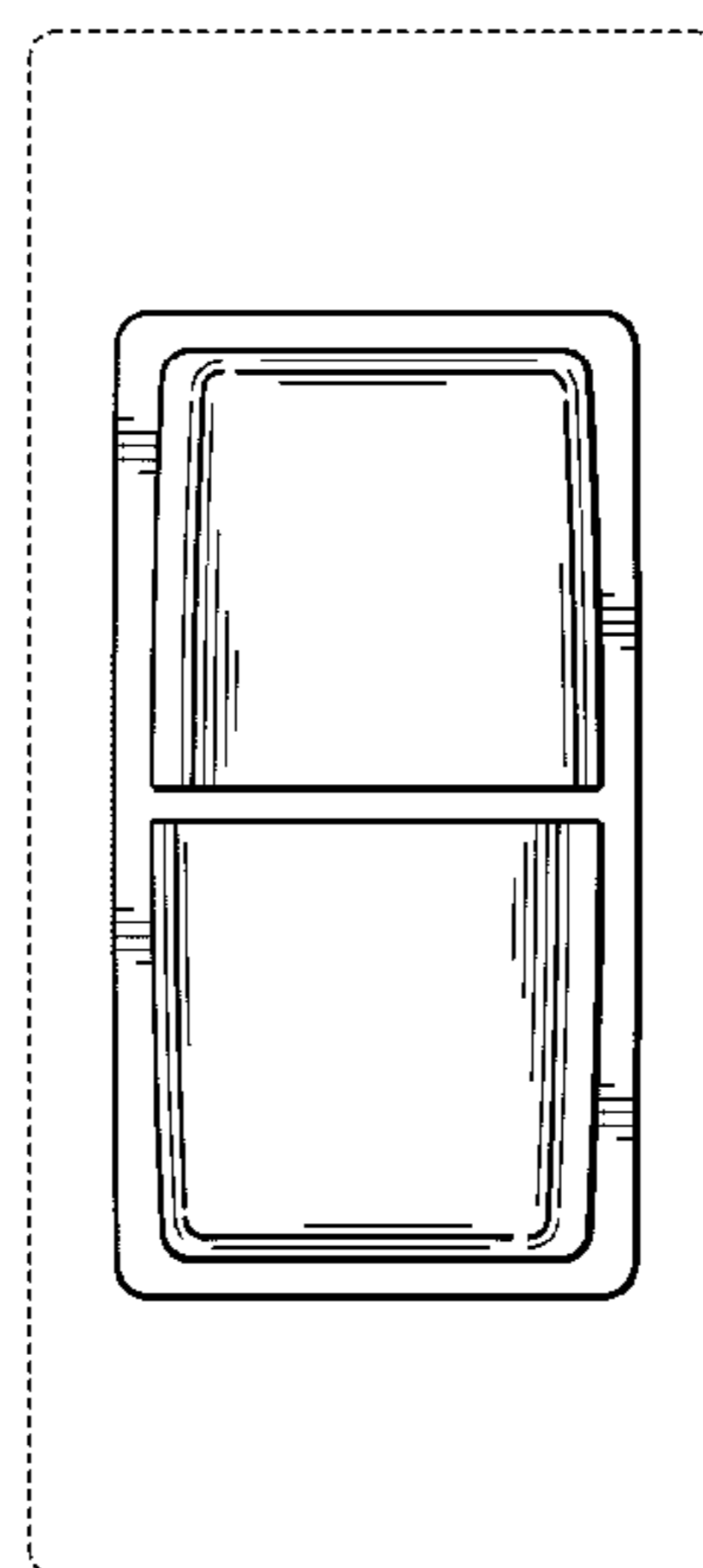
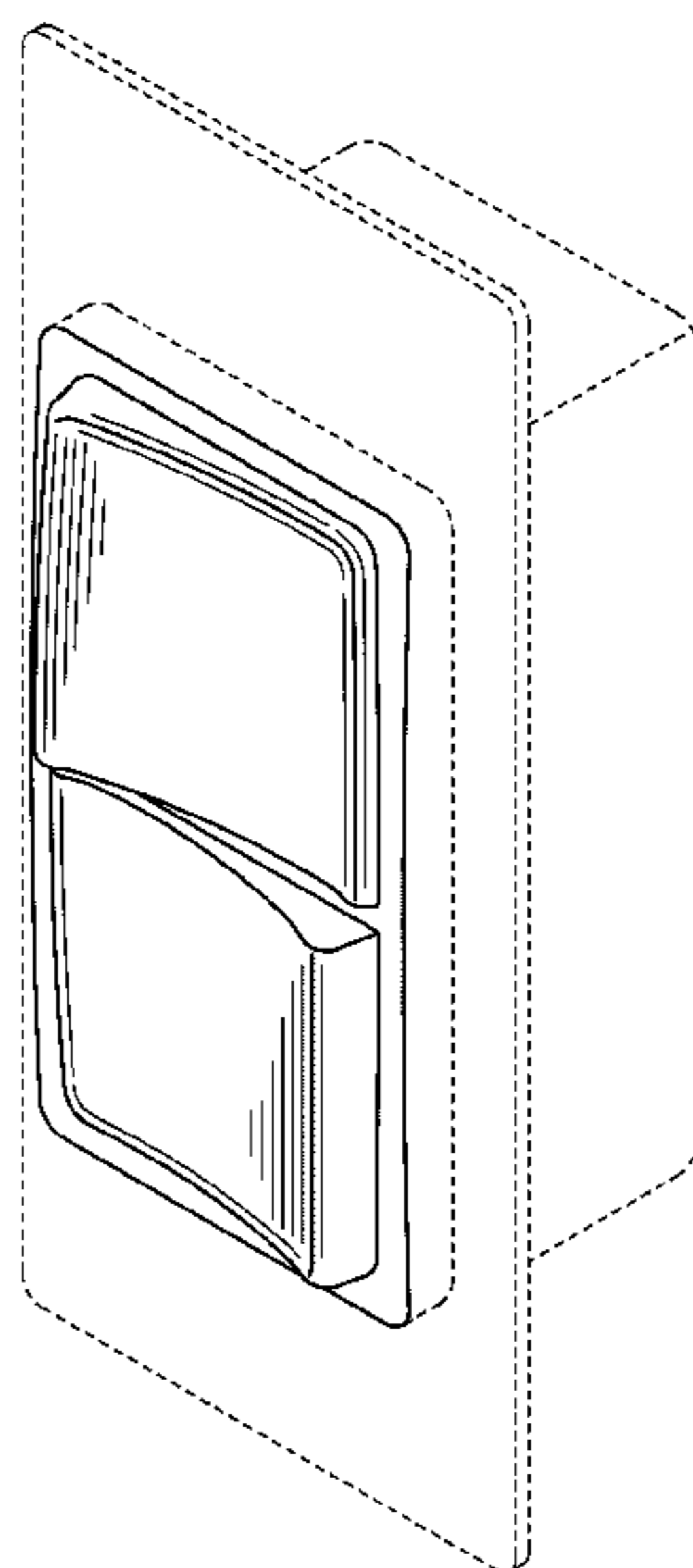
FIG. 4 is a bottom plan view thereof;

FIG. 5 is a right side elevation view thereof; and,

FIG. 6 is a left side elevation view thereof.

The dashed lines in the figures illustrate environment only and form no part of the claimed design.

1 Claim, 4 Drawing Sheets



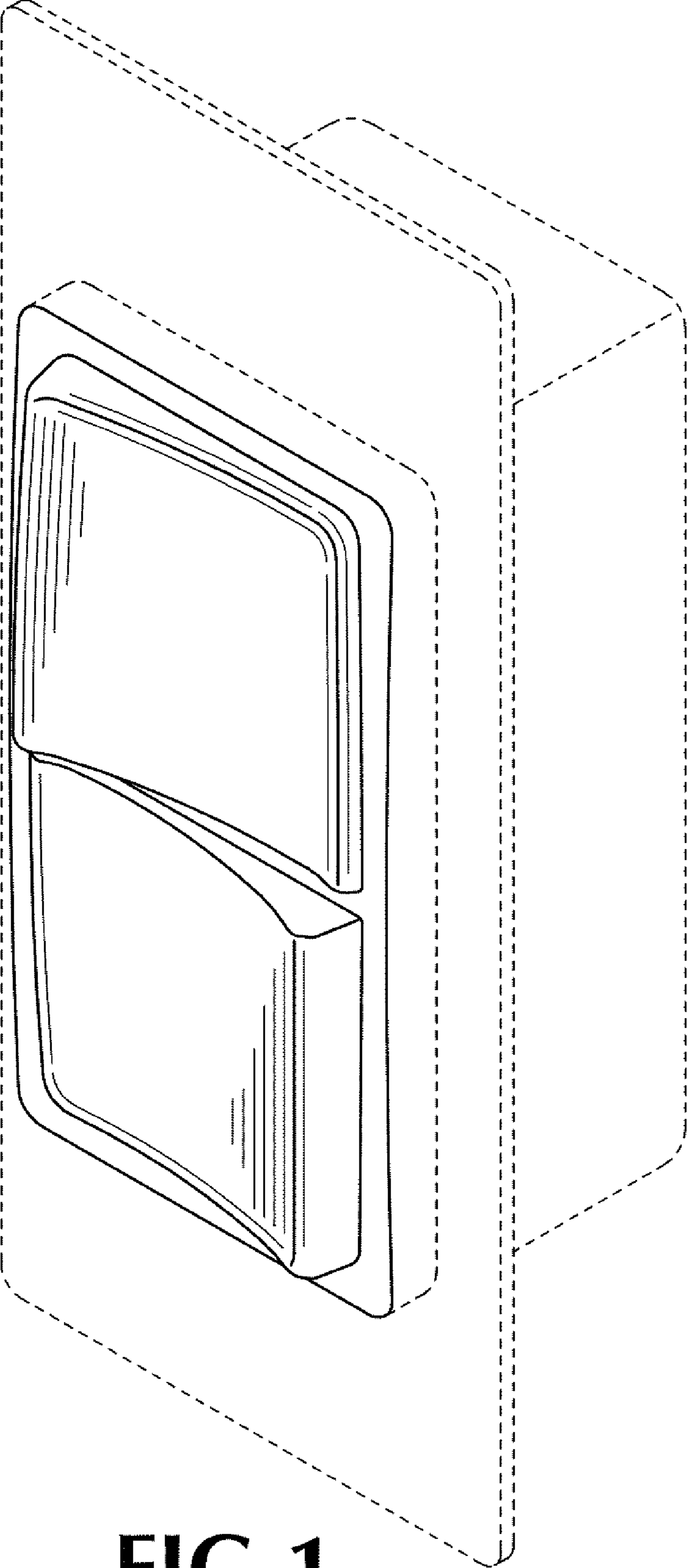


FIG. 1

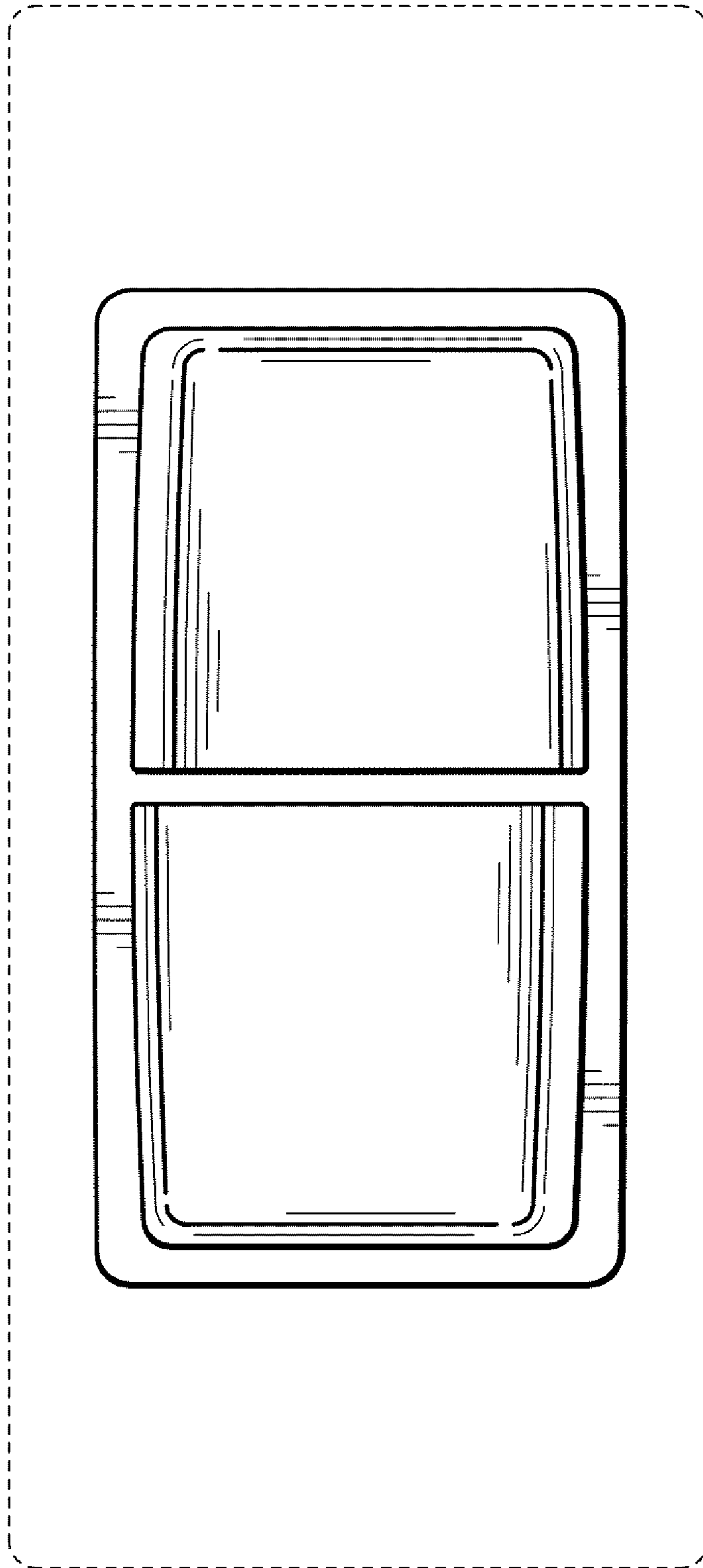


FIG. 2

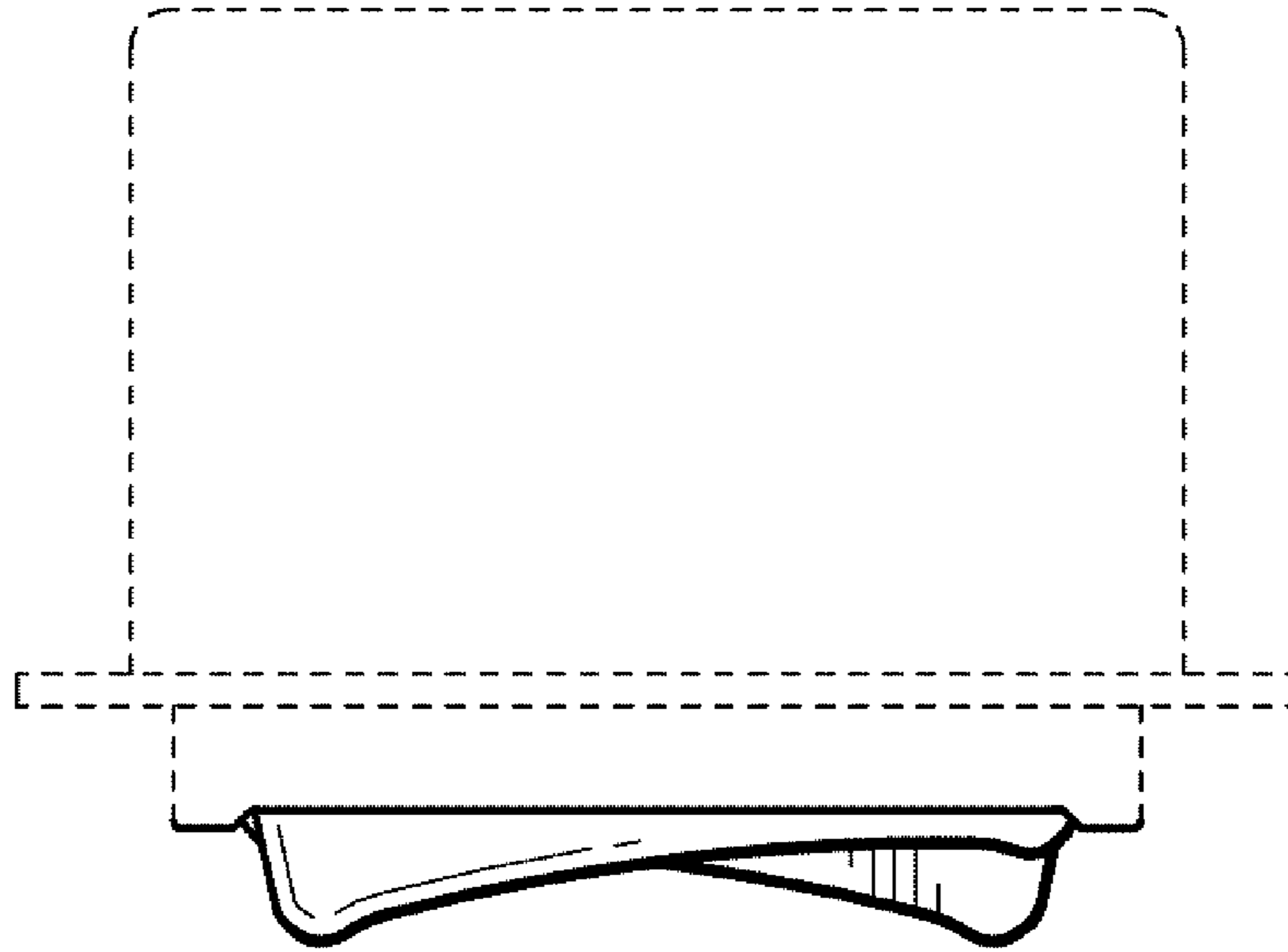


FIG. 3

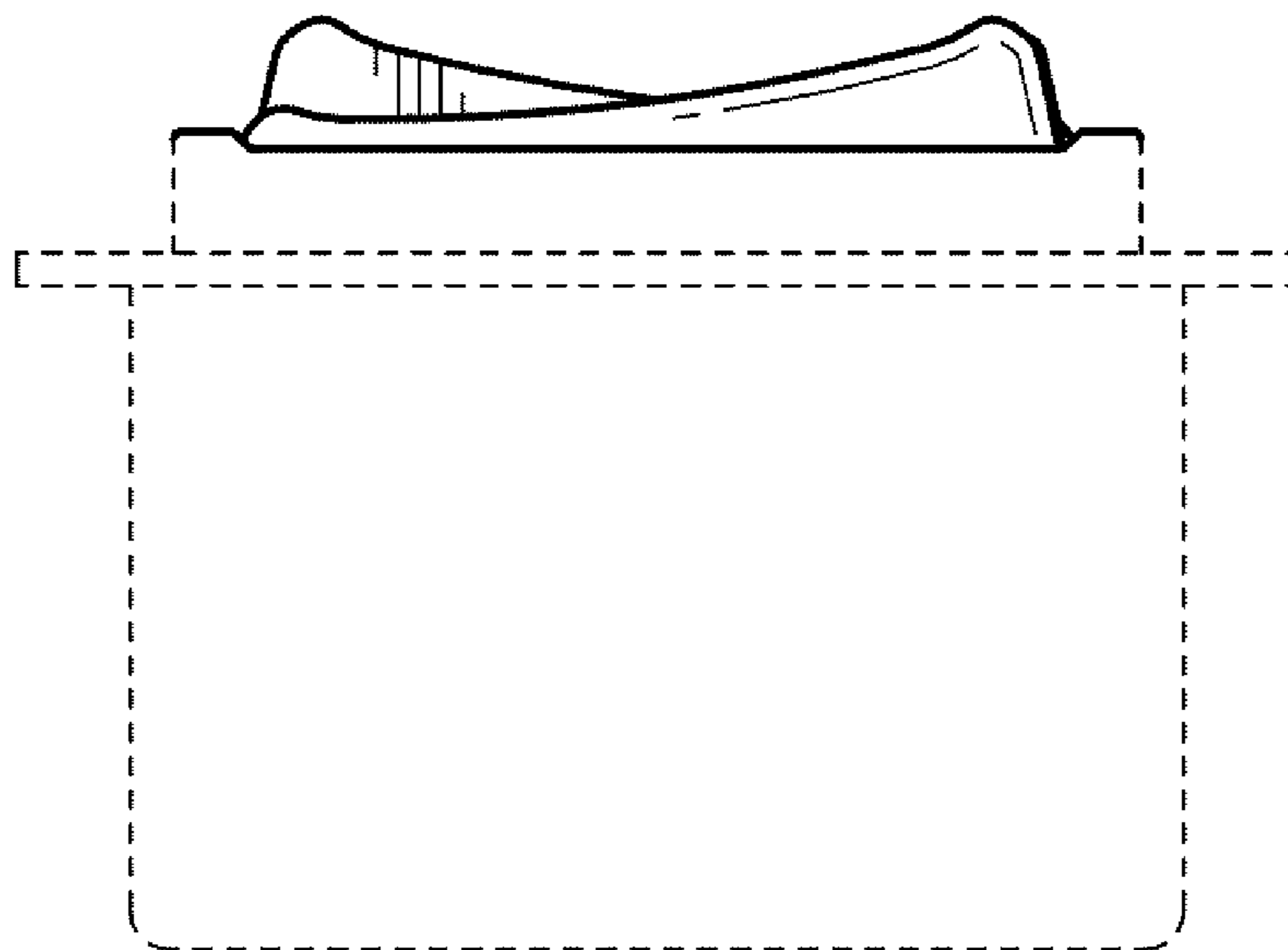


FIG. 4

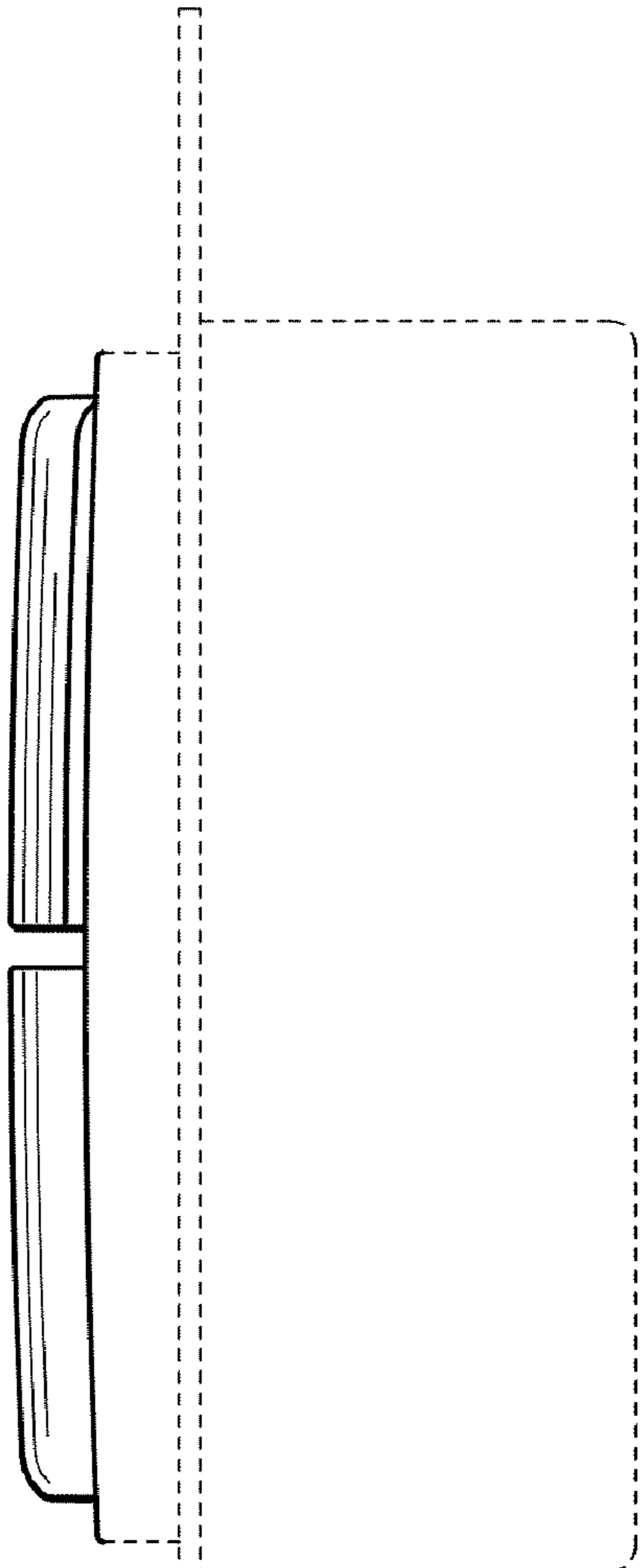


FIG. 5

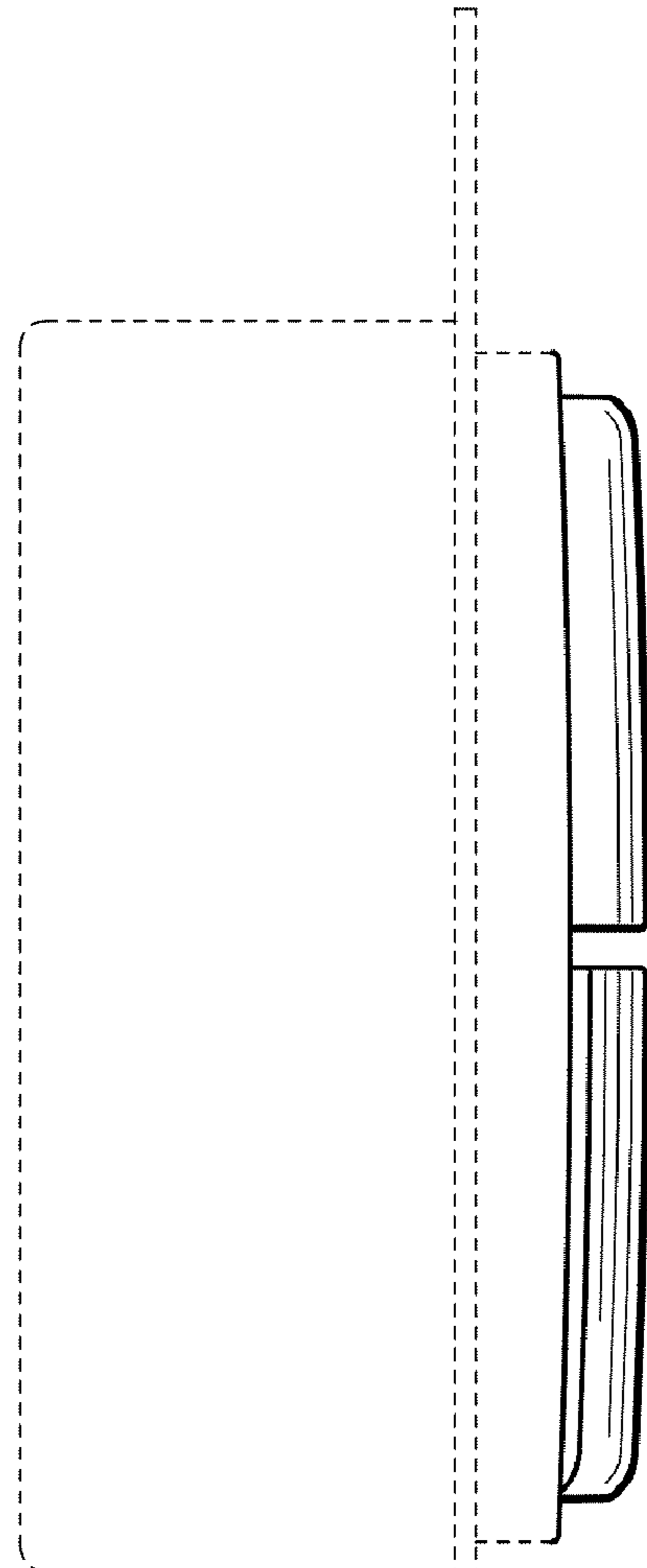


FIG. 6