



US00D657317S

(12) **United States Design Patent**  
**Tanaka et al.**

(10) **Patent No.:** **US D657,317 S**

(45) **Date of Patent:** **\*\* Apr. 10, 2012**

(54) **SURGE ABSORBER**

(75) Inventors: **Yoshiyuki Tanaka**, Chichibu-gun (JP);  
**Shinji Sakai**, Chichibu-gun (JP)

(73) Assignee: **Mitsubishi Materials Corporation**,  
Tokyo (JP)

(\*\*) Term: **14 Years**

(21) Appl. No.: **29/368,136**

(22) Filed: **Aug. 18, 2010**

(30) **Foreign Application Priority Data**

Jul. 9, 2010 (JP) ..... 2010-16862

(51) **LOC (9) Cl.** ..... **13-03**

(52) **U.S. Cl.** ..... **D13/161**

(58) **Field of Classification Search** ..... D13/133,  
D13/146, 147, 153, 154, 160, 161, 184, 199;  
439/606, 638, 668, 669, 701, 740; D3/215,  
D3/218; D14/188, 226, 251, 256, 496, 217,  
D14/223

See application file for complete search history.

(56) **References Cited**

U.S. PATENT DOCUMENTS

4,219,793 A \* 8/1980 Kawamura ..... 337/228  
4,727,350 A \* 2/1988 Ohkubo ..... 338/21  
4,972,169 A \* 11/1990 Kalra ..... 337/163

D327,254 S \* 6/1992 Seay et al. .... D13/160  
D336,633 S \* 6/1993 Trabold ..... D13/160  
5,506,071 A \* 4/1996 Tanaka et al. .... 429/181  
5,663,864 A \* 9/1997 Tanaka et al. .... 361/120  
D406,569 S \* 3/1999 Awbrey et al. .... D13/178  
D525,210 S \* 7/2006 Disbennett et al. .... D13/161  
D550,631 S \* 9/2007 Murakami ..... D13/161

\* cited by examiner

*Primary Examiner* — Thomas Johannes

(74) *Attorney, Agent, or Firm* — Edwards Wildman Palmer  
LLP; David I. Greenbaum

(57) **CLAIM**

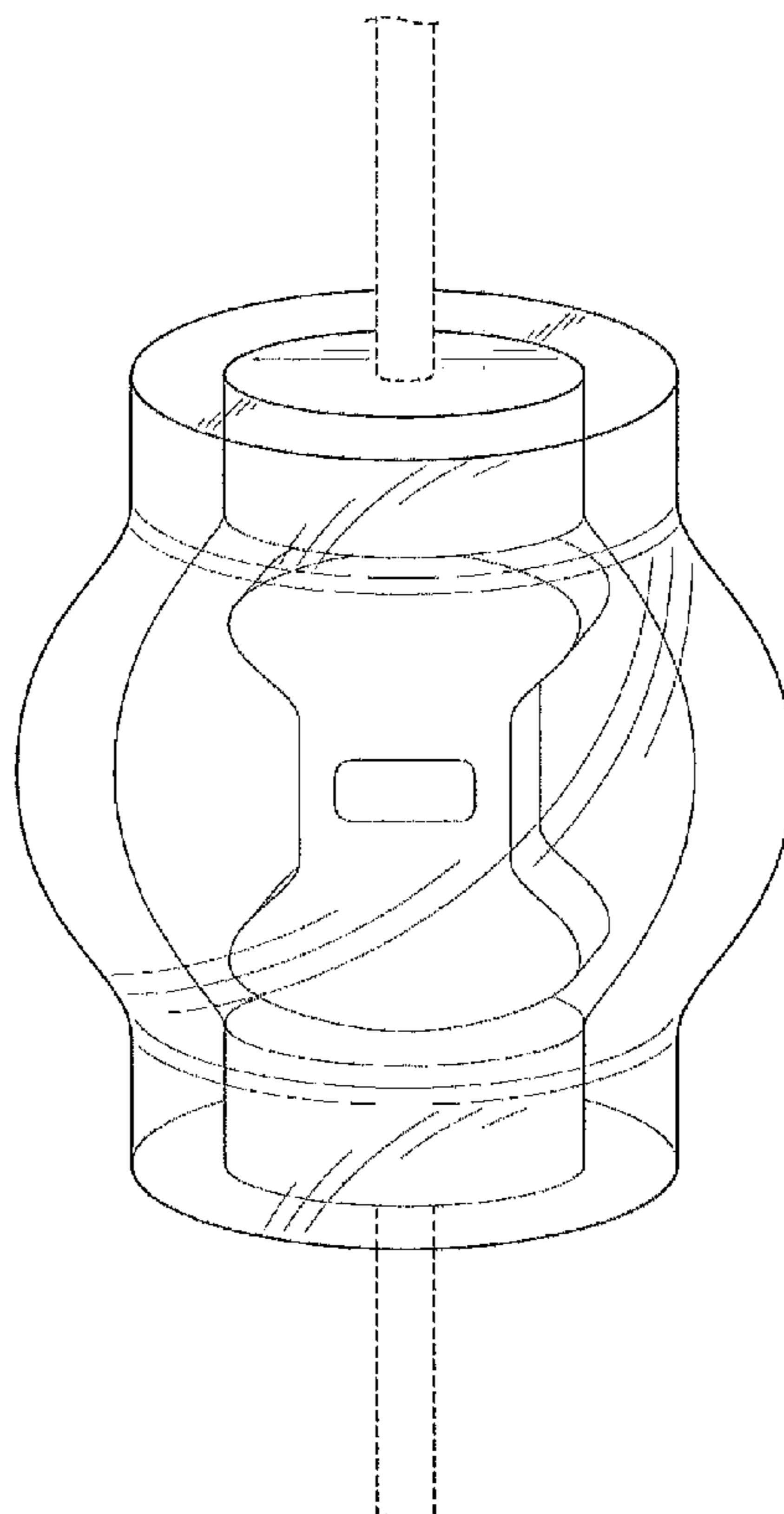
The ornamental design for a surge absorber, as shown and  
described.

**DESCRIPTION**

FIG. 1 is a front perspective view of the design for a surge  
absorber, showing our new design;  
FIG. 2 is a front view thereof;  
FIG. 3 is a back view thereof;  
FIG. 4 is a first side view thereof;  
FIG. 5 is a second side view thereof;  
FIG. 6 is a top view thereof; and,  
FIG. 7 is a bottom view thereof.

The broken line showing of electrical leads at the top and  
bottom of the surge absorber shows unclaimed subject matter  
only and form no part of the claimed design.

**1 Claim, 6 Drawing Sheets**



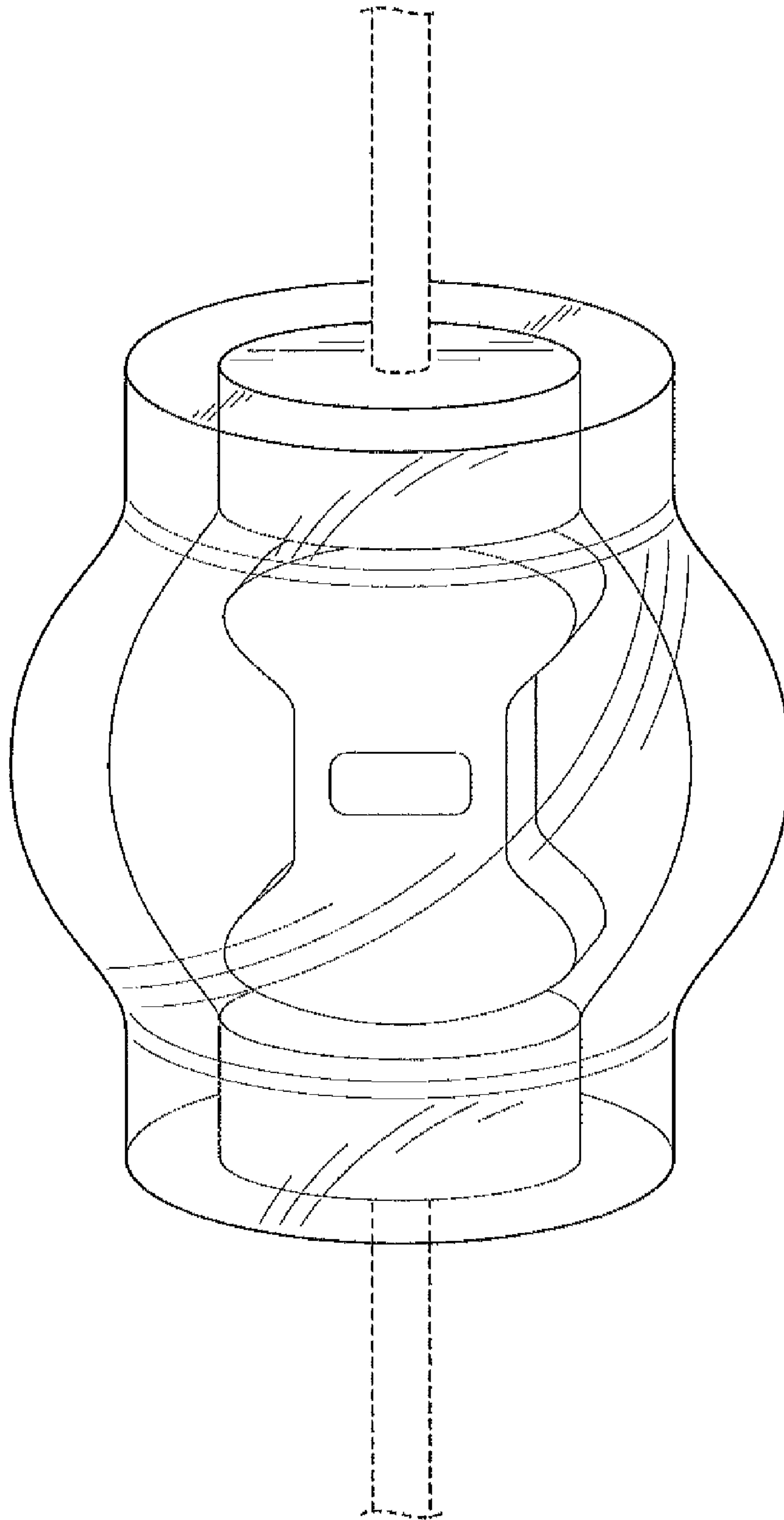


FIG. 1

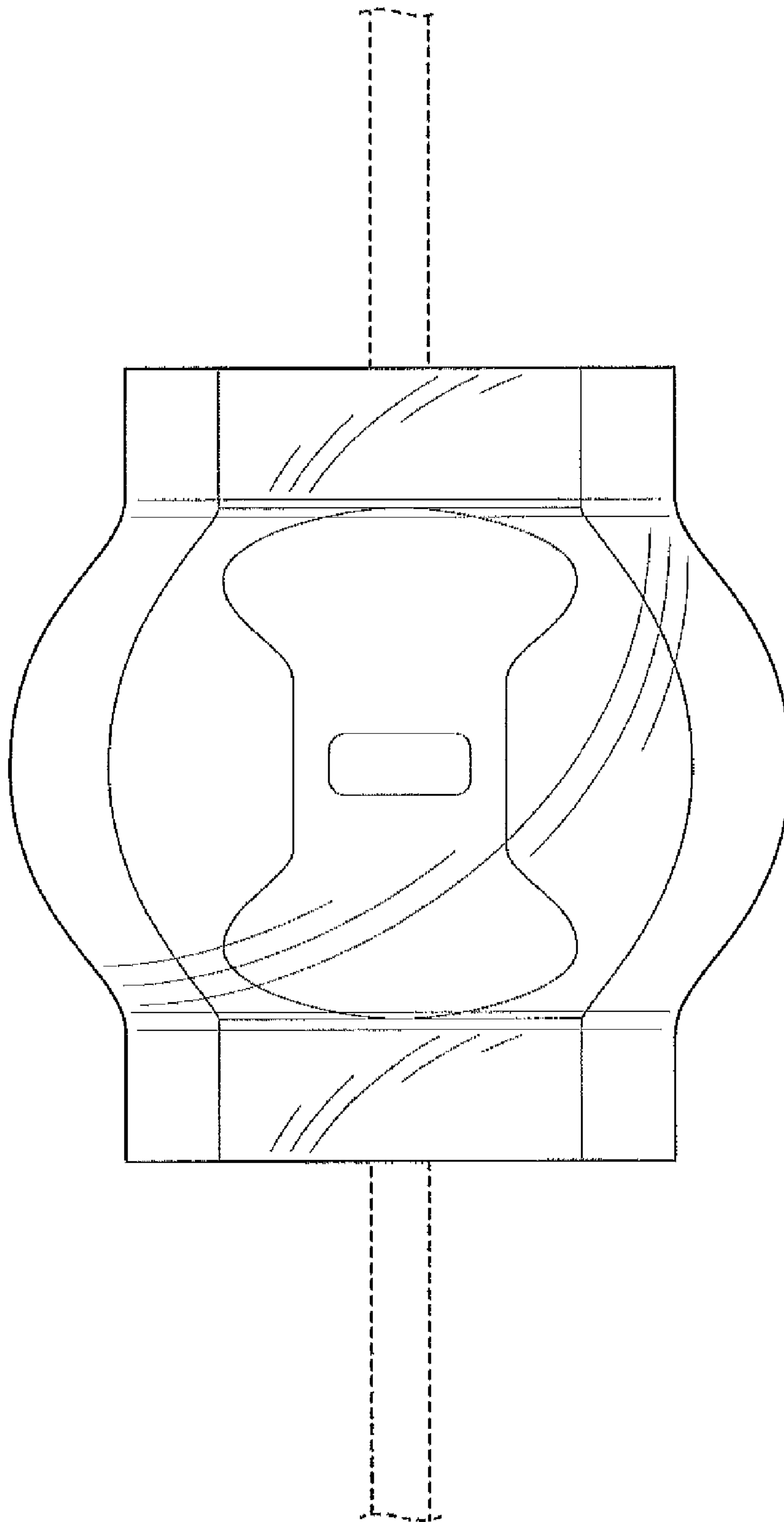


FIG. 2

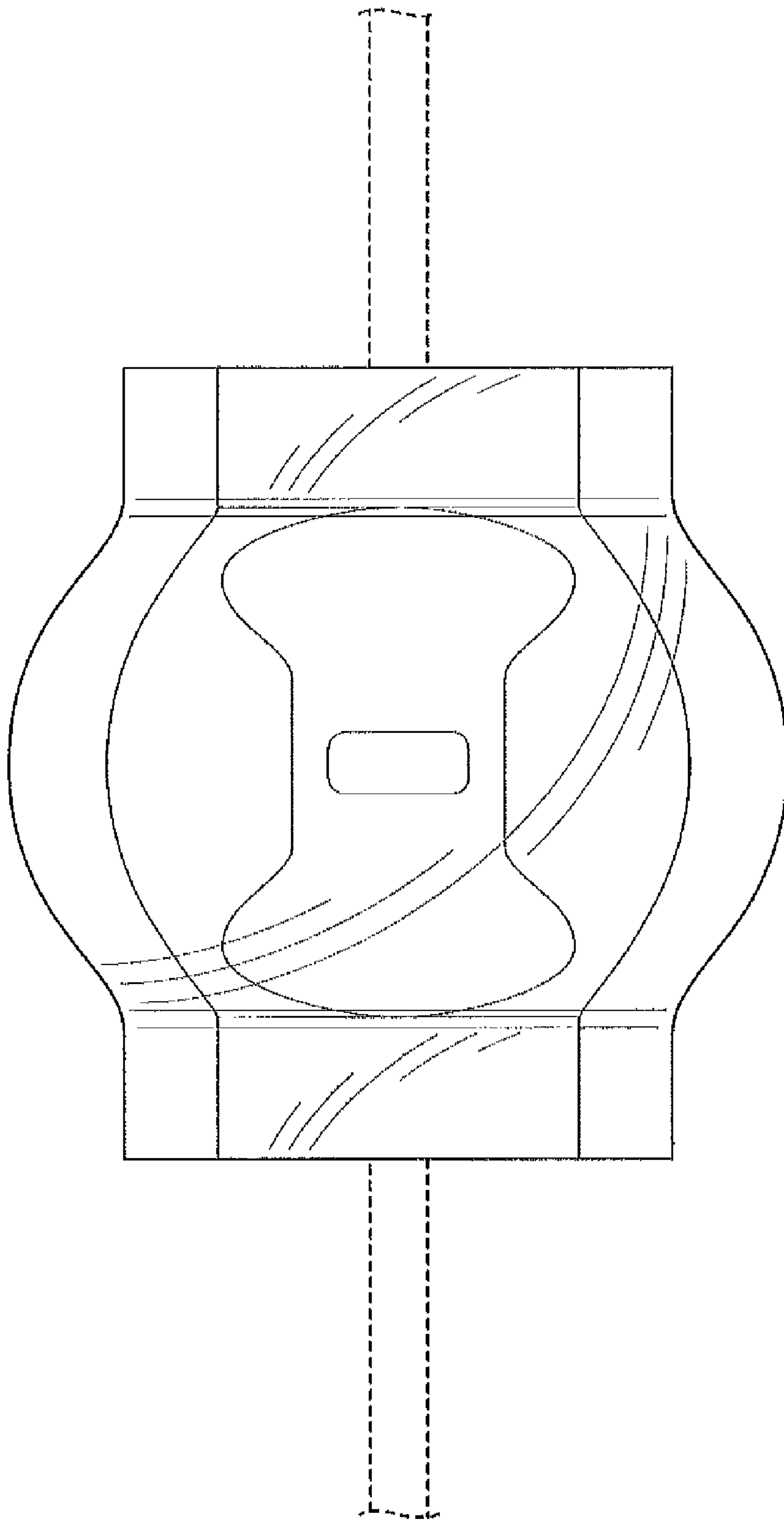


FIG. 3

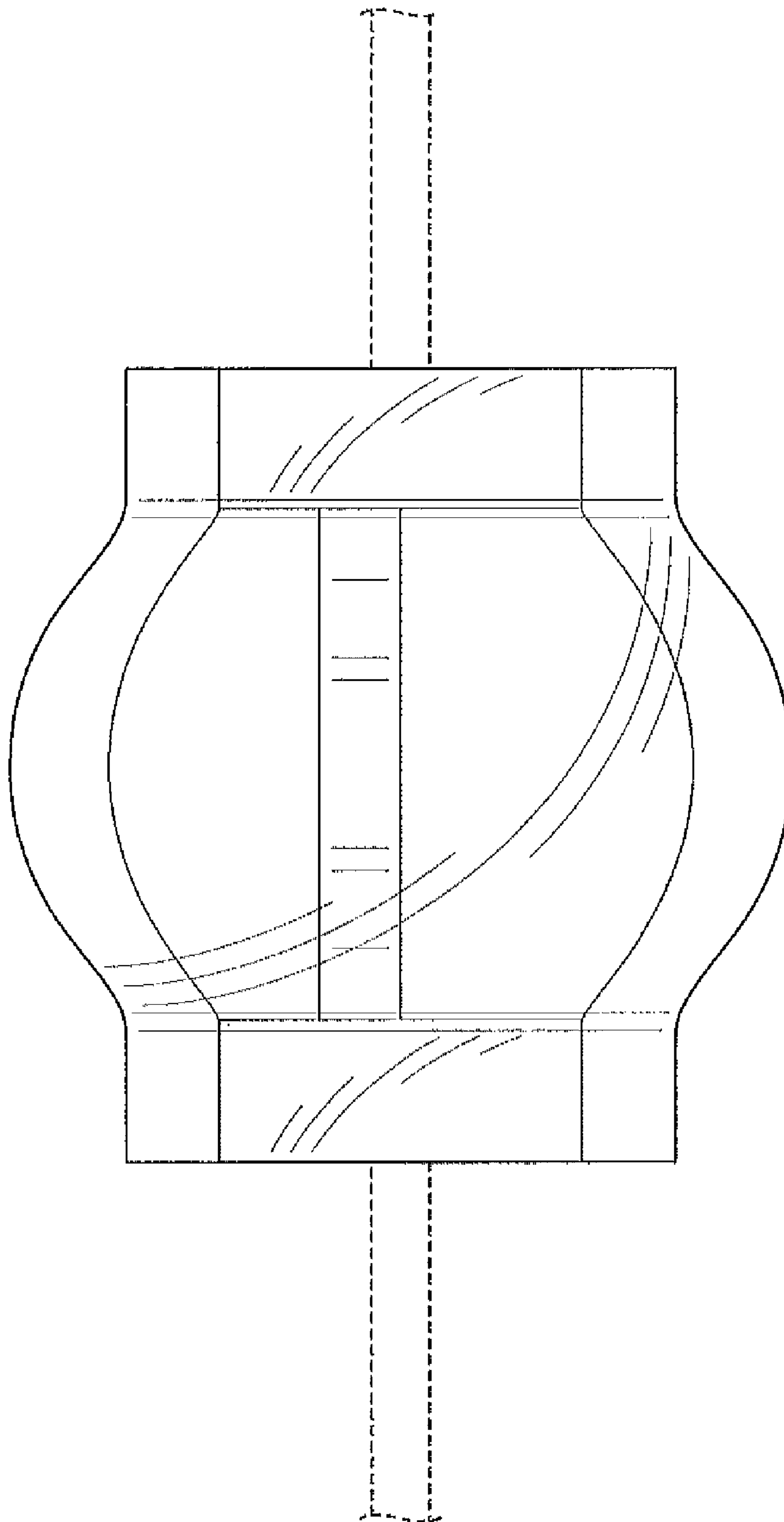


FIG. 4

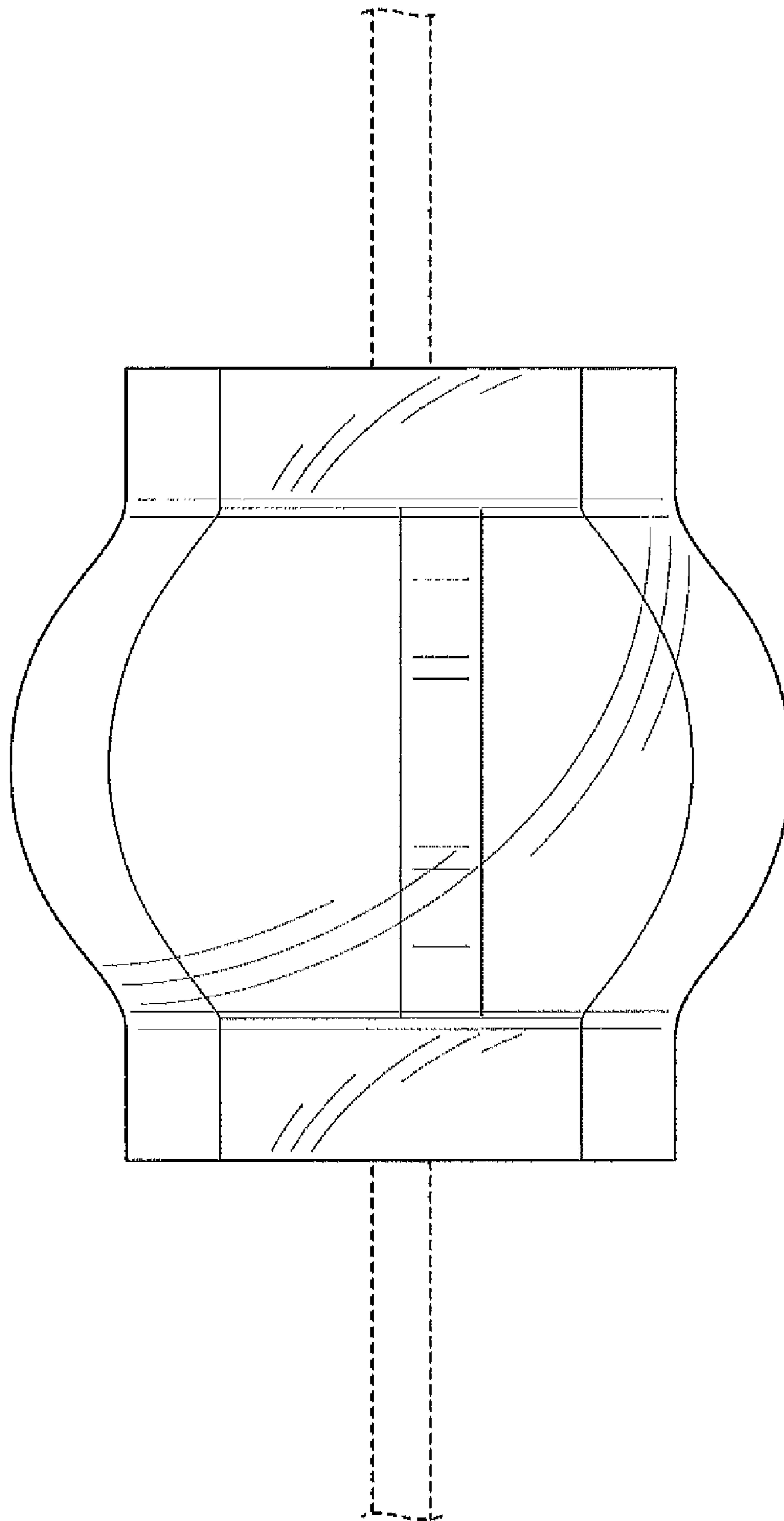


FIG. 5

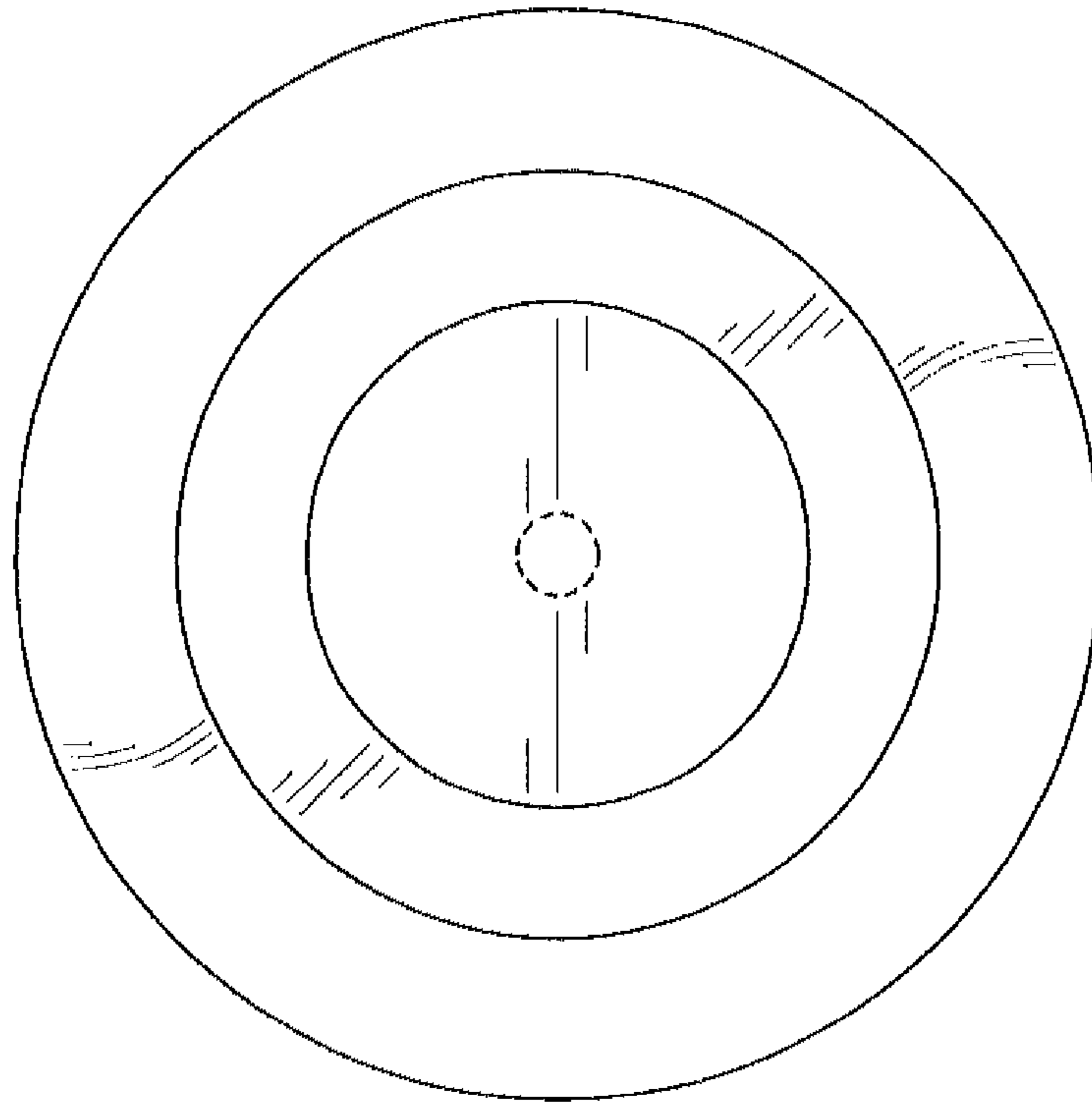


FIG. 6

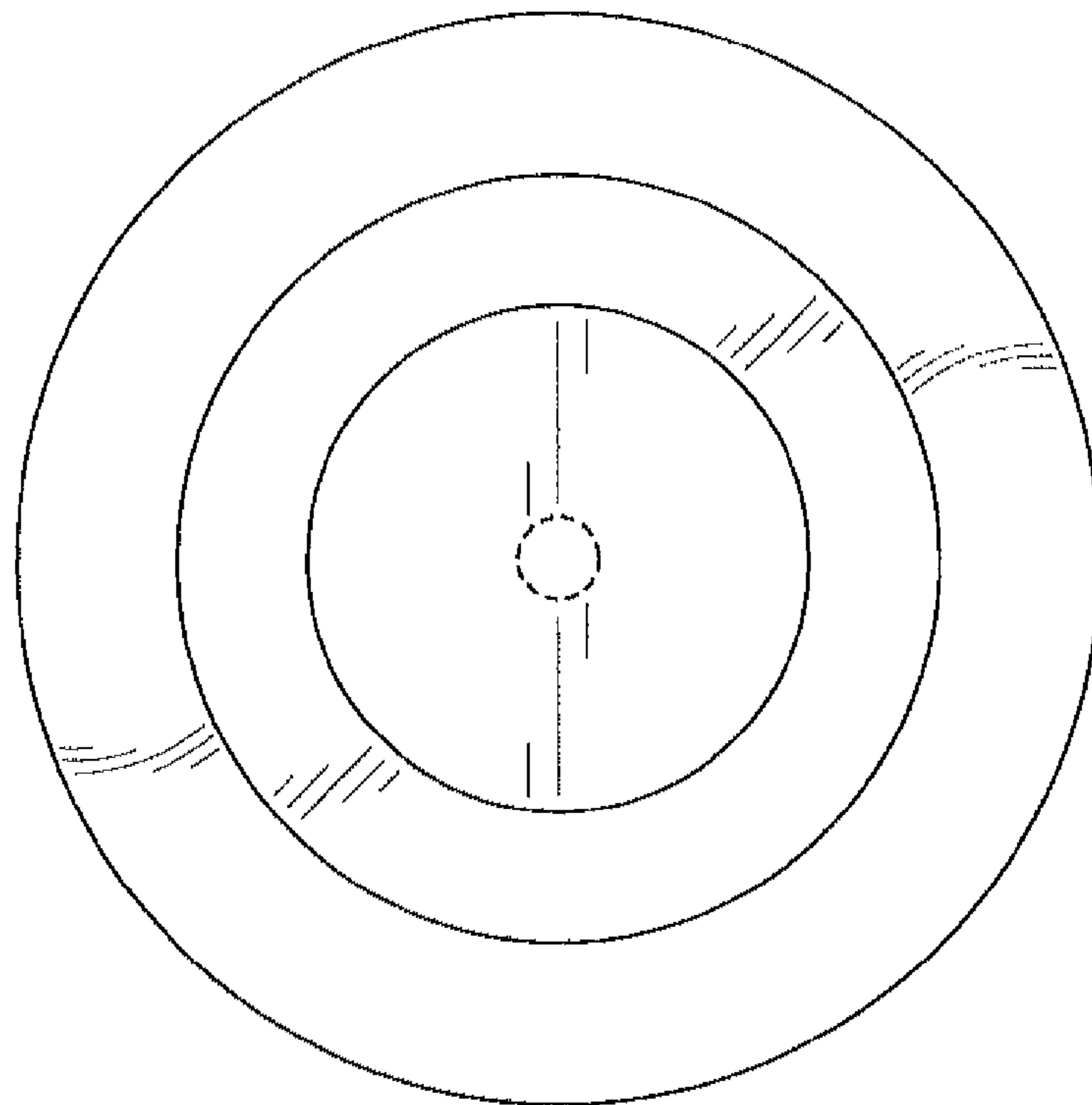


FIG. 7