



US00D657316S

(12) **United States Design Patent**
Kiely

(10) **Patent No.:** **US D657,316 S**

(45) **Date of Patent:** **** Apr. 10, 2012**

(54) **BONDING AND GROUNDING CLAMP**

(75) Inventor: **Kenneth M. Kiely**, Milford, CT (US)

(73) Assignee: **Bridgeport Fittings, Inc.**, Stratford, CT (US)

(**) Term: **14 Years**

(21) Appl. No.: **29/374,874**

(22) Filed: **Oct. 18, 2011**

Related U.S. Application Data

(62) Division of application No. 29/348,444, filed on Jan. 6, 2010, now Pat. No. Des. 651,569.

(51) **LOC (9) Cl.** **13-03**

(52) **U.S. Cl.** **D13/149**

(58) **Field of Classification Search** D13/133,
D13/148, 149, 151, 154, 184; 439/92, 142,
439/320, 535, 557; D8/330, 331, 382, 383,
D8/394, 395; 248/49, 74.1, 62, 63; 174/65 R,
174/65 G, 68.1, 68.3, 69, 71 R, 72 C
See application file for complete search history.

(56) **References Cited**

U.S. PATENT DOCUMENTS

4,526,437 A	7/1985	Kies
D360,188 S	7/1995	Kiely et al.
5,494,462 A	2/1996	Auclair
5,928,006 A	7/1999	Franks, Jr.
D487,062 S	2/2004	Foster

D577,977 S	10/2008	Hernandez	
D585,833 S	2/2009	Sherman	
7,494,157 B1	2/2009	Kiely	
D629,364 S	12/2010	Smith et al.	
7,901,256 B1	3/2011	Kiely	
D635,520 S	4/2011	Kiely	
7,927,157 B1	4/2011	Kiely	
D651,569 S *	1/2012	Kiely D13/149
2003/0040214 A1	2/2003	Kiely	

* cited by examiner

Primary Examiner — Thomas Johannes

(74) *Attorney, Agent, or Firm* — Alfred A. Fressola; Ware, Fressola, Van Der Sluys & Adolphson LLP

(57) **CLAIM**

The ornamental design for a bonding and grounding clamp, as shown and described.

DESCRIPTION

FIG. 1 is a perspective view of the bonding and grounding clamp of my design;
FIG. 2 is a side elevational view thereof, the opposite side being a mirror image thereof;
FIG. 3 is a front elevational view thereof;
FIG. 4 is a rear elevational view thereof;
FIG. 5 is a top plan view thereof; and,
FIG. 6 is a bottom plan view thereof.
The broken line portion of the figure drawings is included to show unclaimed subject matter only and forms no part of the claimed design.

1 Claim, 1 Drawing Sheet

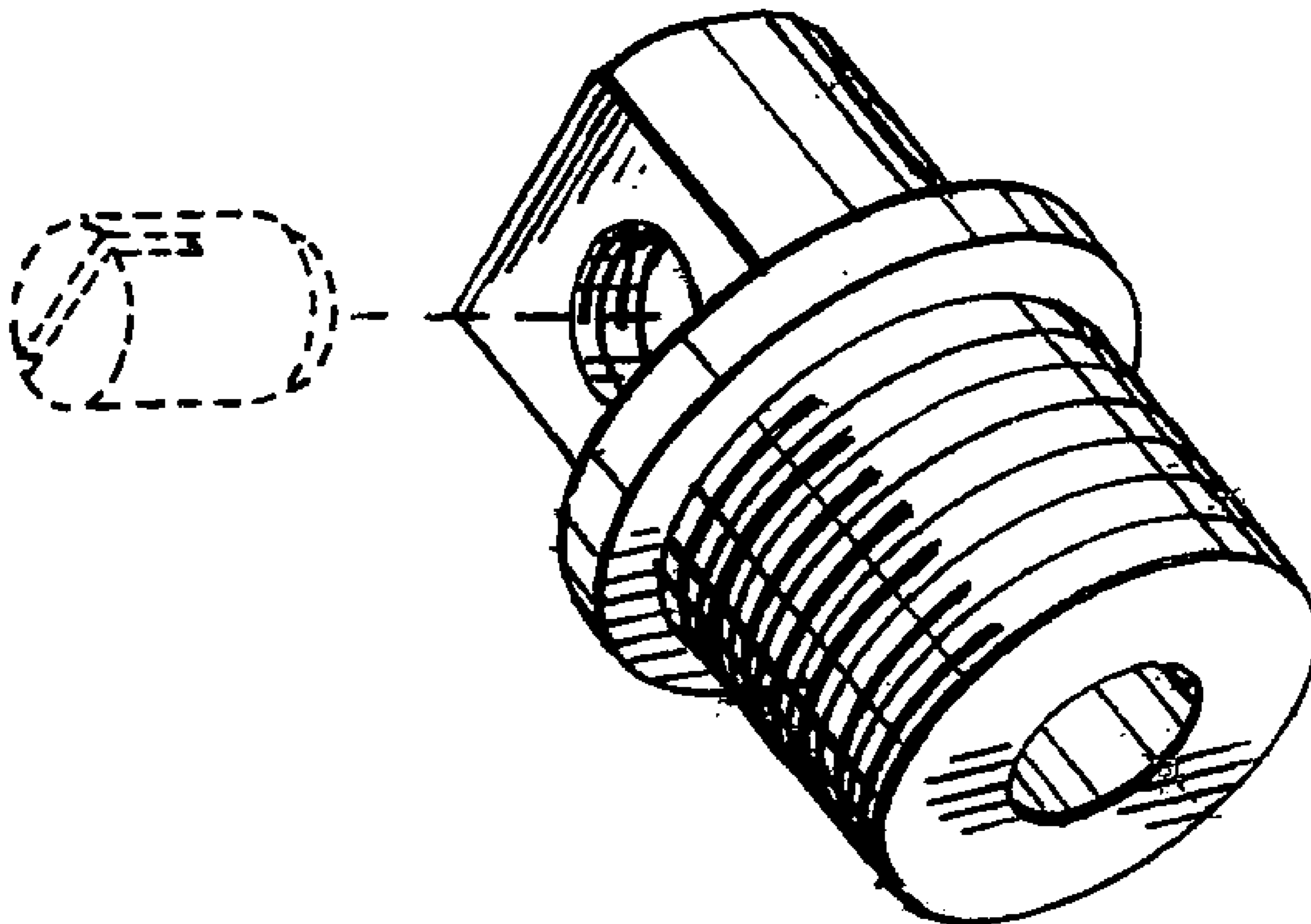


FIG. 1

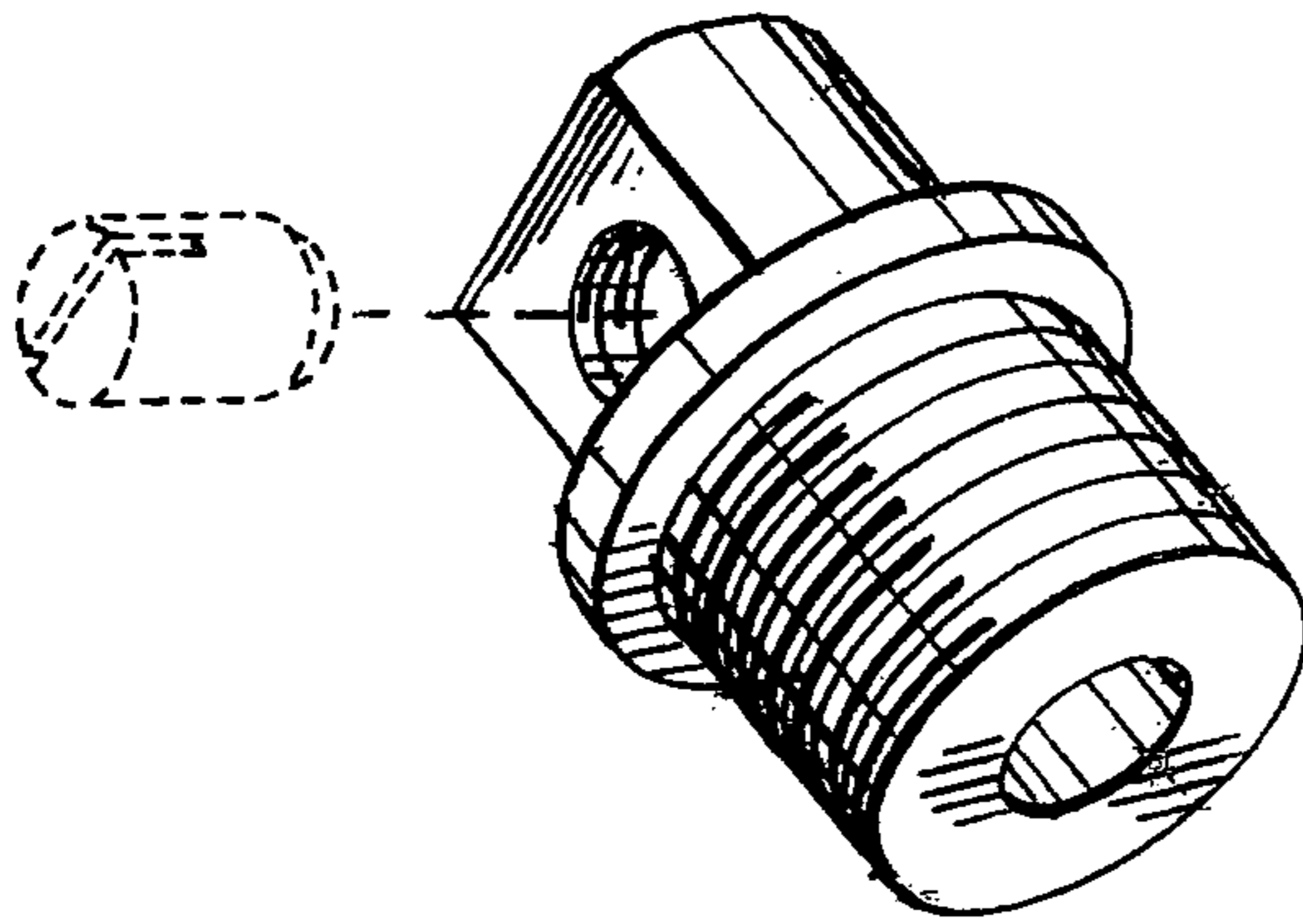


FIG. 2

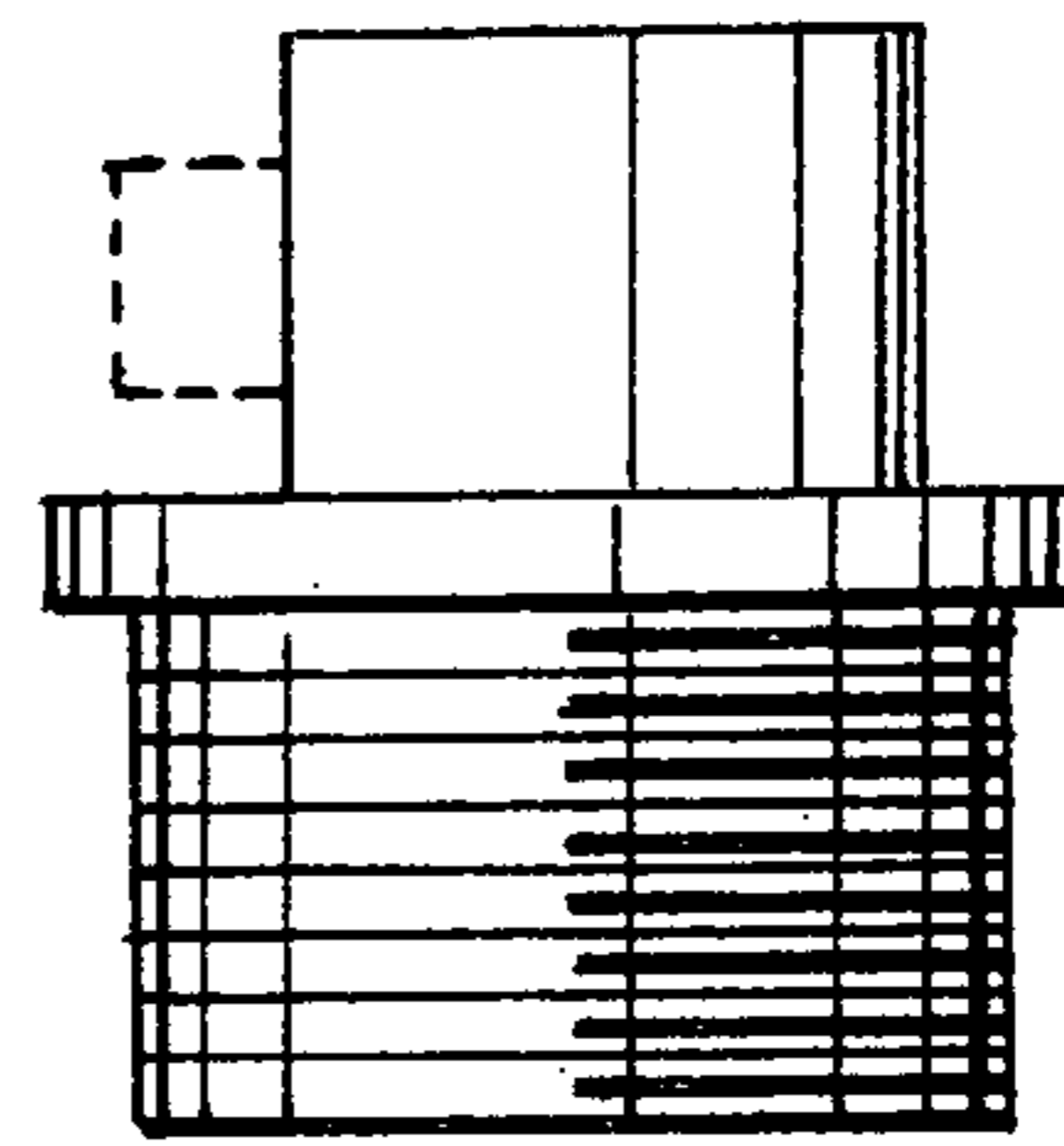


FIG. 3

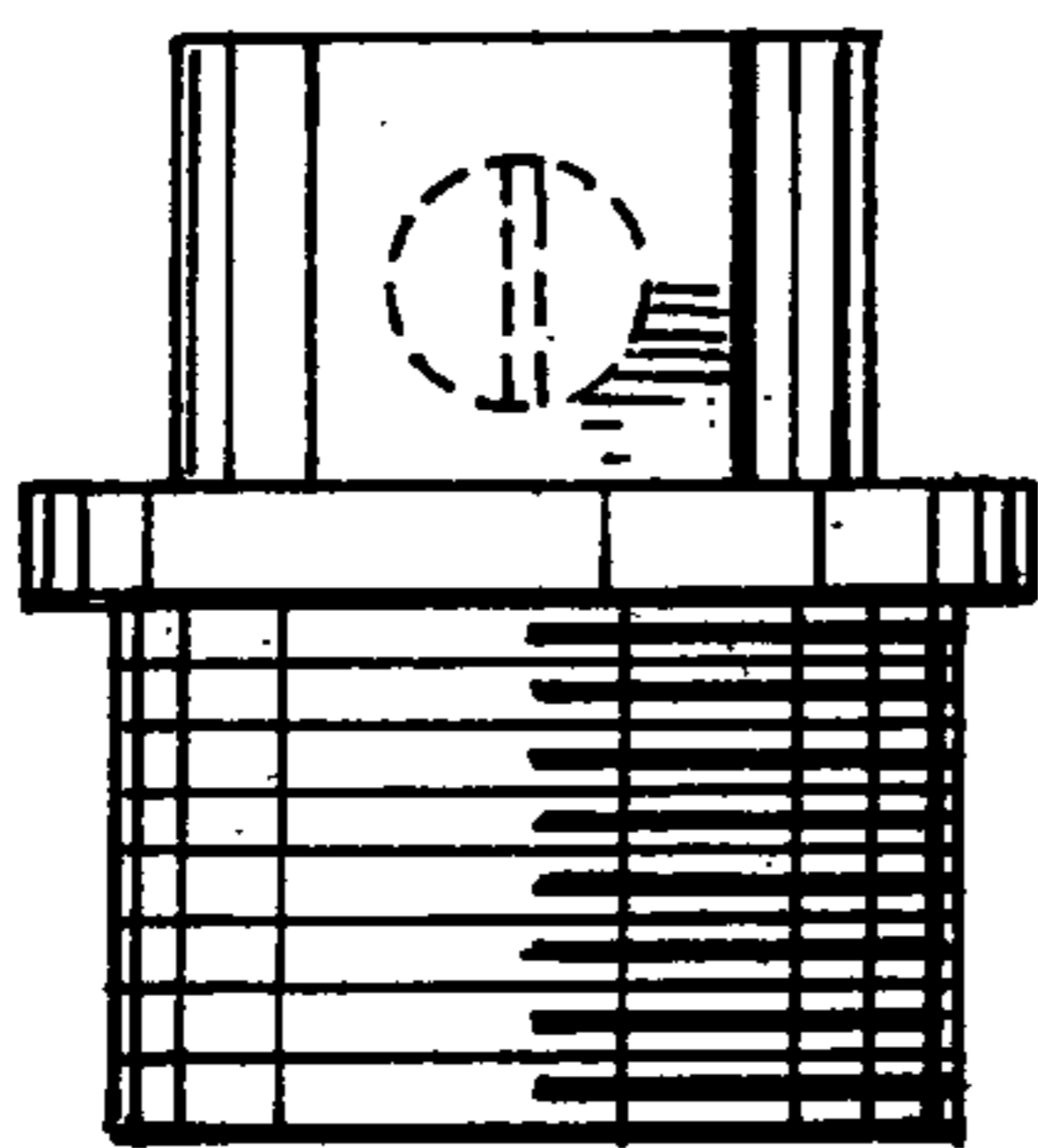


FIG. 4

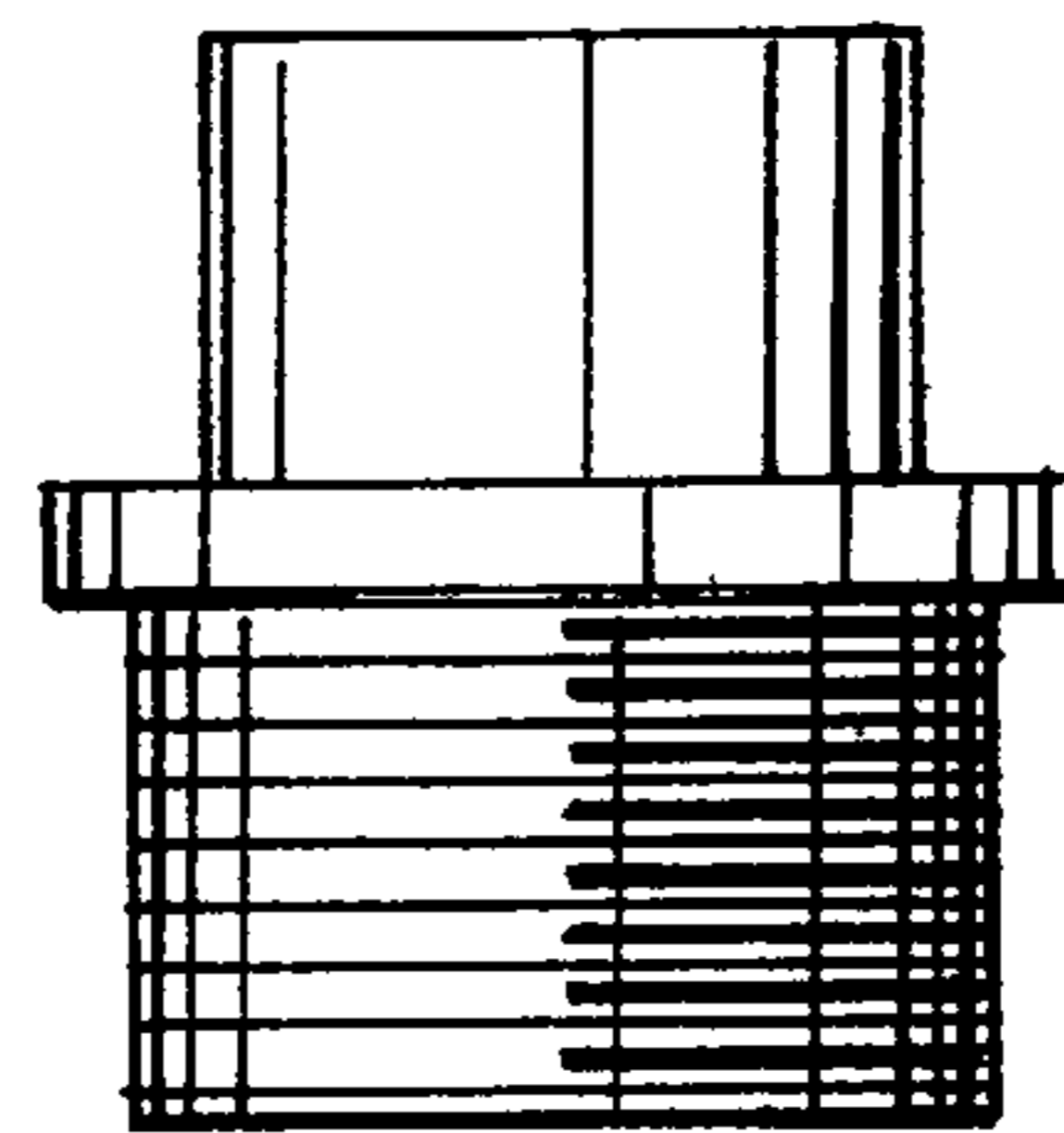


FIG. 5

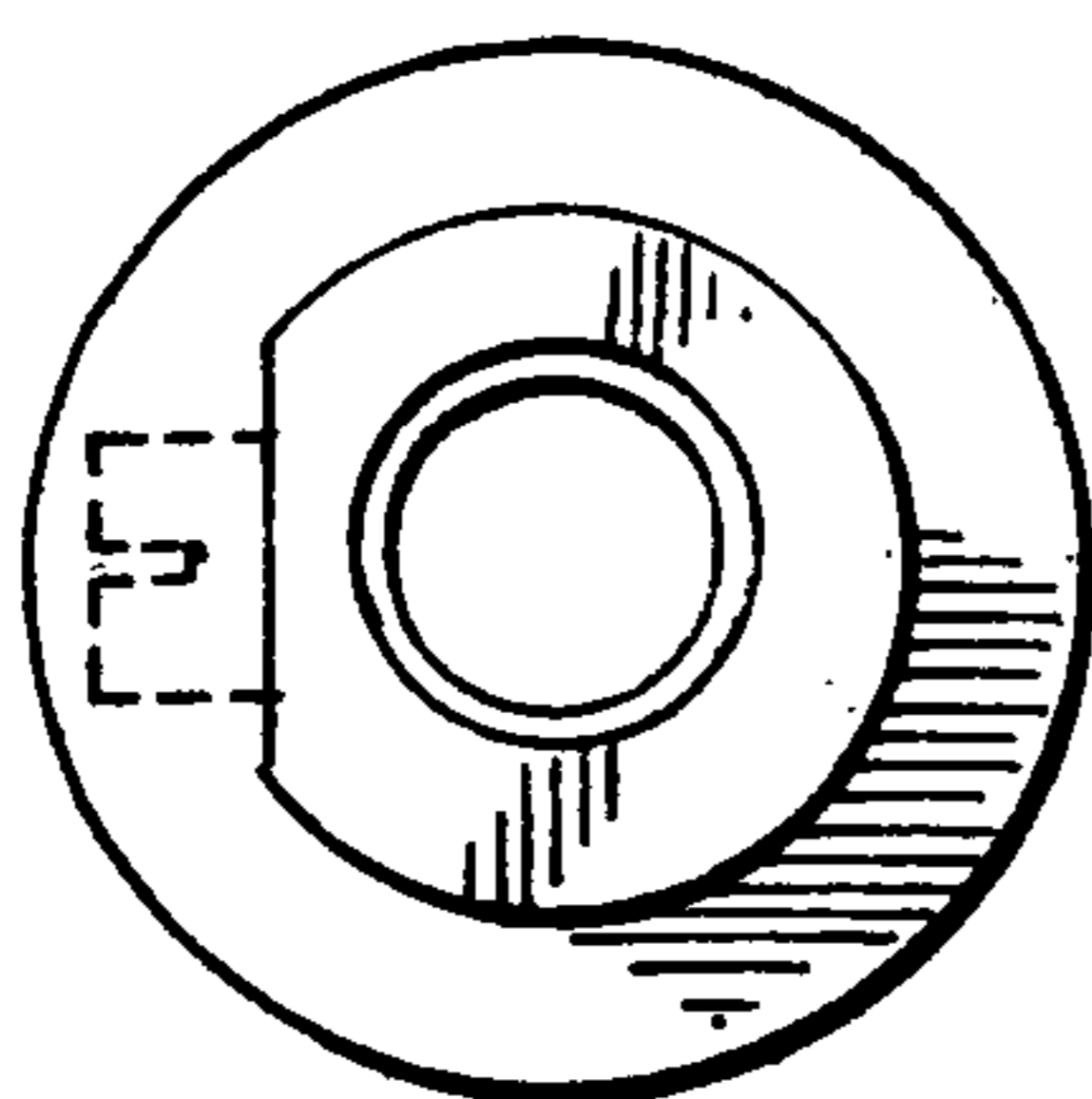


FIG. 6

