



US00D657315S

(12) **United States Design Patent**  
**Feldstein et al.**

(10) **Patent No.:** **US D657,315 S**  
(45) **Date of Patent:** **\*\* Apr. 10, 2012**

(54) **TABLE TOP MEDIA CENTER**

(75) Inventors: **George Feldstein**, Cresskill, NJ (US);  
**Stan Wisniewski**, Pompton Plains, NJ (US)

(73) Assignee: **Crestron Electronics Inc.**, Rockleigh, NJ (US)

(\*\*) Term: **14 Years**

(21) Appl. No.: **29/340,426**

(22) Filed: **Jul. 17, 2009**

(51) **LOC (9) Cl.** ..... **13-03**

(52) **U.S. Cl.** ..... **D13/139.4**

(58) **Field of Classification Search** ..... D13/138.1,  
D13/138.2, 139.1, 139.2, 139.3, 139.4, 139.5,  
D13/139.6, 139.7, 139.8, 137.1, 137.2, 137.3,  
D13/137.4, 133, 146, 147, 151, 152, 153,  
D13/154, 107, 108, 110, 162, 170, 156; 363/15,  
363/34, 146; 439/93, 105, 119, 149, 225,  
439/521, 535, 583, 866, 919; D8/353; 174/493,  
174/494, 53, 59, 60, 66, 67; 320/111, 114,  
320/115; D14/305; D10/49

See application file for complete search history.

(56) **References Cited**

**U.S. PATENT DOCUMENTS**

3,992,070 A 11/1976 Dunn  
(Continued)

**FOREIGN PATENT DOCUMENTS**

JP D1305939 \* 7/2007

*Primary Examiner* — Angela J Lee

(74) *Attorney, Agent, or Firm* — Crestron Electronics Inc.

(57) **CLAIM**

The ornamental design for a tabletop media center, as shown and described.

**DESCRIPTION**

FIG. 1 is a perspective view of the tabletop media center with the top cover in a closed position.

FIG. 2 is a top view of the tabletop media center with the top cover in a closed position according to a first, second, third, fourth and fifth embodiment of the invention.

FIG. 3 is a bottom view of the tabletop media center according to a first, second, third, fourth and fifth embodiment of the invention.

FIG. 4 is a perspective view of the first embodiment of the tabletop media center shown in an un-installed configuration.

FIG. 5 is a front view of the first embodiment of the tabletop media center, illustrated without a front cover plate for clarity.

FIG. 6 is a top view of the first embodiment of the tabletop media center.

FIG. 7 is a perspective view of the second embodiment of the tabletop media center shown in an un-installed configuration.

FIG. 8 is a top view of the second embodiment of the tabletop media center.

FIG. 9 is a front view of the second embodiment of the tabletop media center, illustrated without a front cover plate for clarity.

FIG. 10 is a perspective view of the third embodiment of the tabletop media center shown in an un-installed configuration.

FIG. 11 is a front view of the third embodiment of the tabletop media center, illustrated without a front cover plate for clarity.

FIG. 12 is a top view of the third embodiment of the tabletop media center.

FIG. 13 is a perspective view of the fourth embodiment of the tabletop media center shown in an un-installed configuration.

FIG. 14 is a front view of the fourth embodiment of the tabletop media center, illustrated without a front cover plate for clarity.

FIG. 15 is a top view of the fourth embodiment of the tabletop media center.

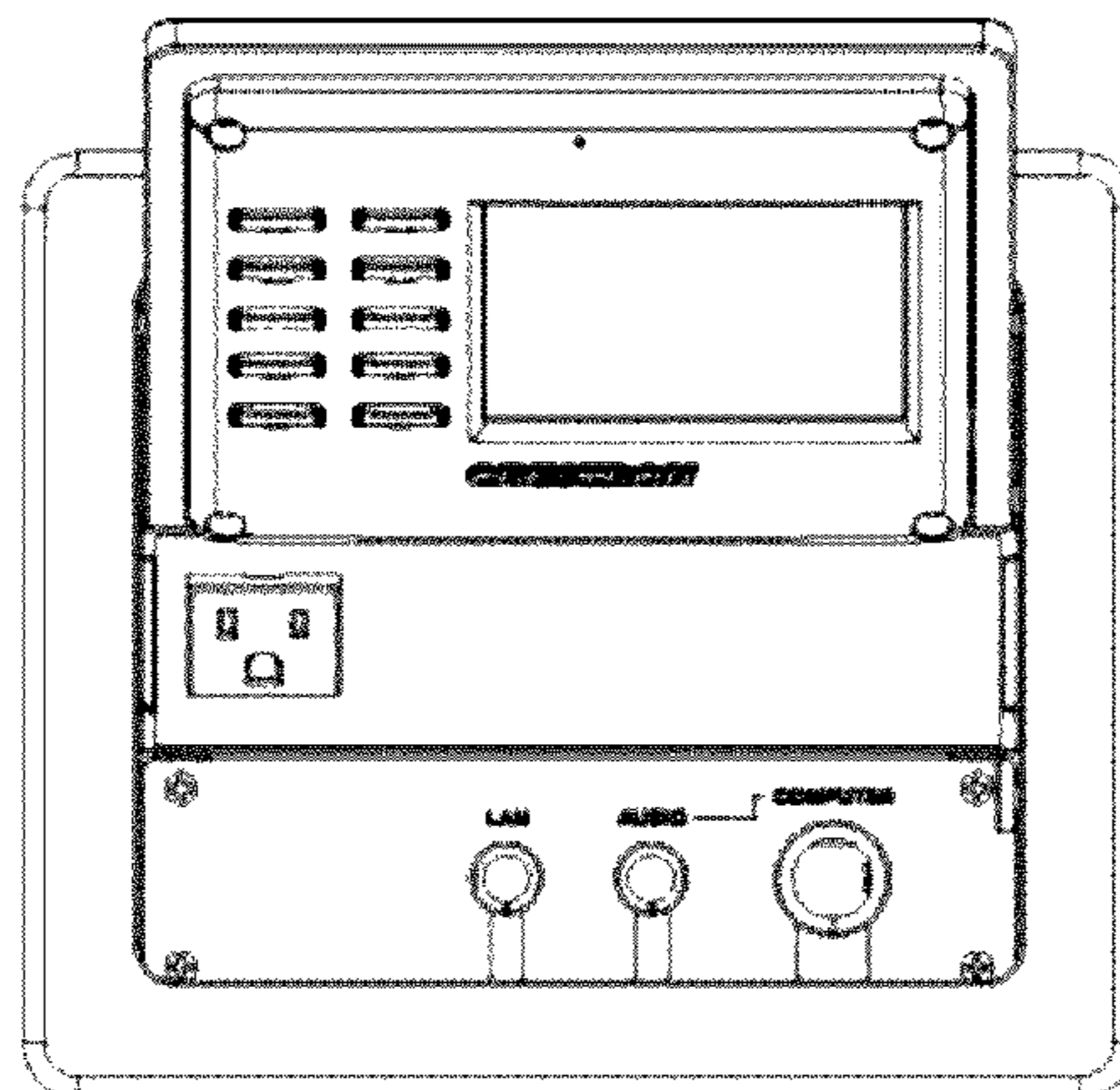
FIG. 16 is a perspective view of the fifth embodiment of the tabletop media center shown in an un-installed configuration.

FIG. 17 is a front view of the fifth embodiment of the tabletop media center, illustrated without a front cover plate for clarity; and,

FIG. 18 is a top view of the fifth embodiment of the tabletop media center.

The broken line portions of the figure drawings are included to show unclaimed subject matter only and form no part of the claimed design.

**1 Claim, 9 Drawing Sheets**



# US D657,315 S

Page 2

---

U.S. PATENT DOCUMENTS			
4,984,982	A *	1/1991	Brownlie et al. .... 439/131
5,033,804	A	7/1991	Faris
5,122,069	A	6/1992	Brownlie
D353,363	S	12/1994	Toby
5,913,582	A	6/1999	Coonan
5,980,279	A	11/1999	Muller
D421,399	S *	3/2000	Bennett et al. .... D10/50
D421,961	S	3/2000	Muller
D437,827	S	2/2001	Gershfeld
D457,137	S	5/2002	Gershfeld
D460,736	S	7/2002	Pincek
D462,678	S	9/2002	Abboud
D465,201	S *	11/2002	Gershfeld ..... D13/139.4
D473,525	S	4/2003	Pincek
D512,964	S *	12/2005	Kissinger et al. .... D13/139.4
D513,493	S *	1/2006	Feldstein et al. .... D13/139.4
D516,513	S *	3/2006	Kissinger et al. .... D13/139.4
D537,785	S *	3/2007	Pincek ..... D13/139.4
D556,139	S *	11/2007	Gershfeld et al. .... D13/139.4
D569,863	S	5/2008	Feldstein
D626,069	S *	10/2010	Byrne ..... D13/139.4
D626,542	S *	11/2010	Libman et al. .... D14/305
D628,097	S *	11/2010	Libman et al. .... D10/49
D628,098	S *	11/2010	Libman et al. .... D10/49
D628,099	S *	11/2010	Libman et al. .... D10/49

\* cited by examiner

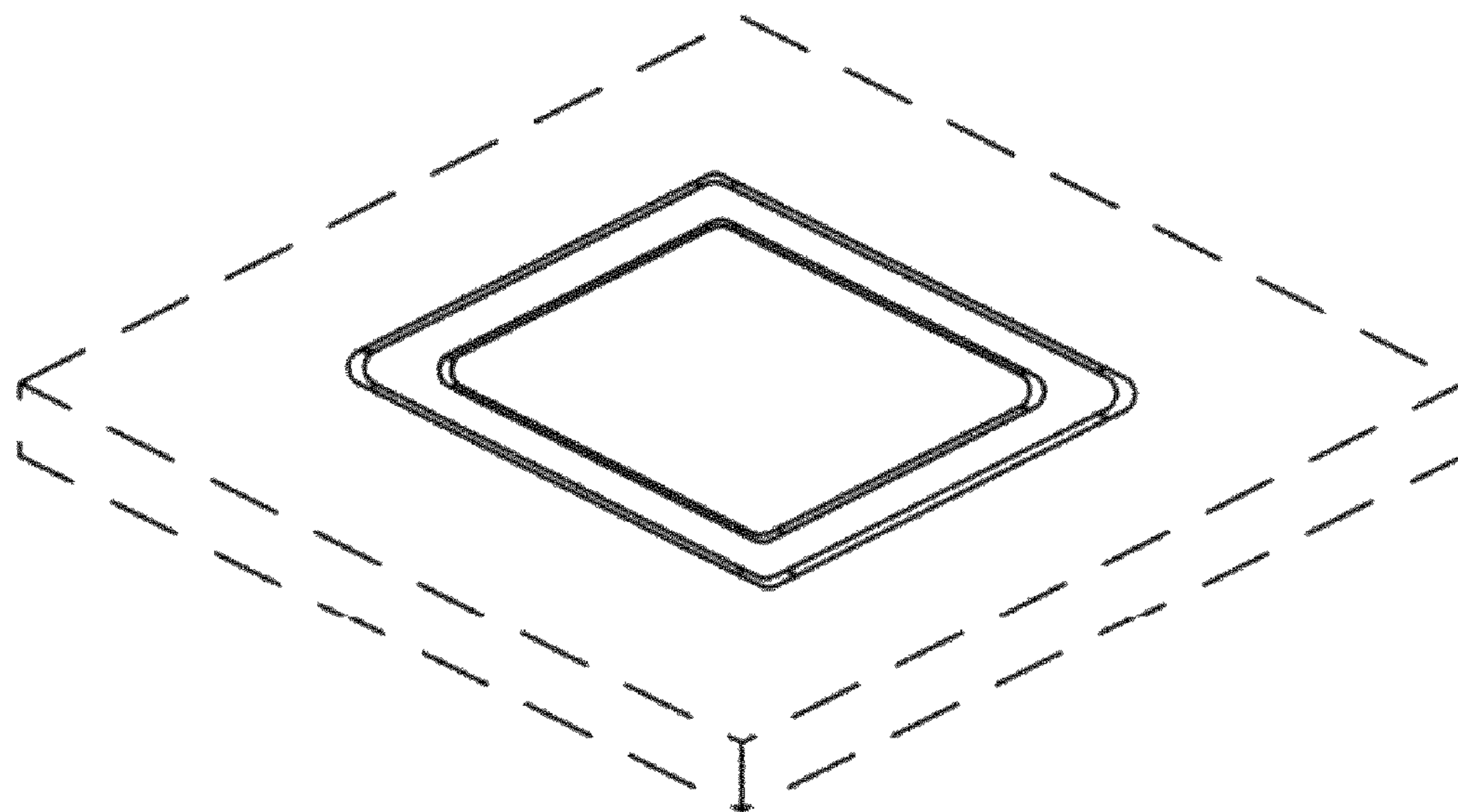


FIG. 1

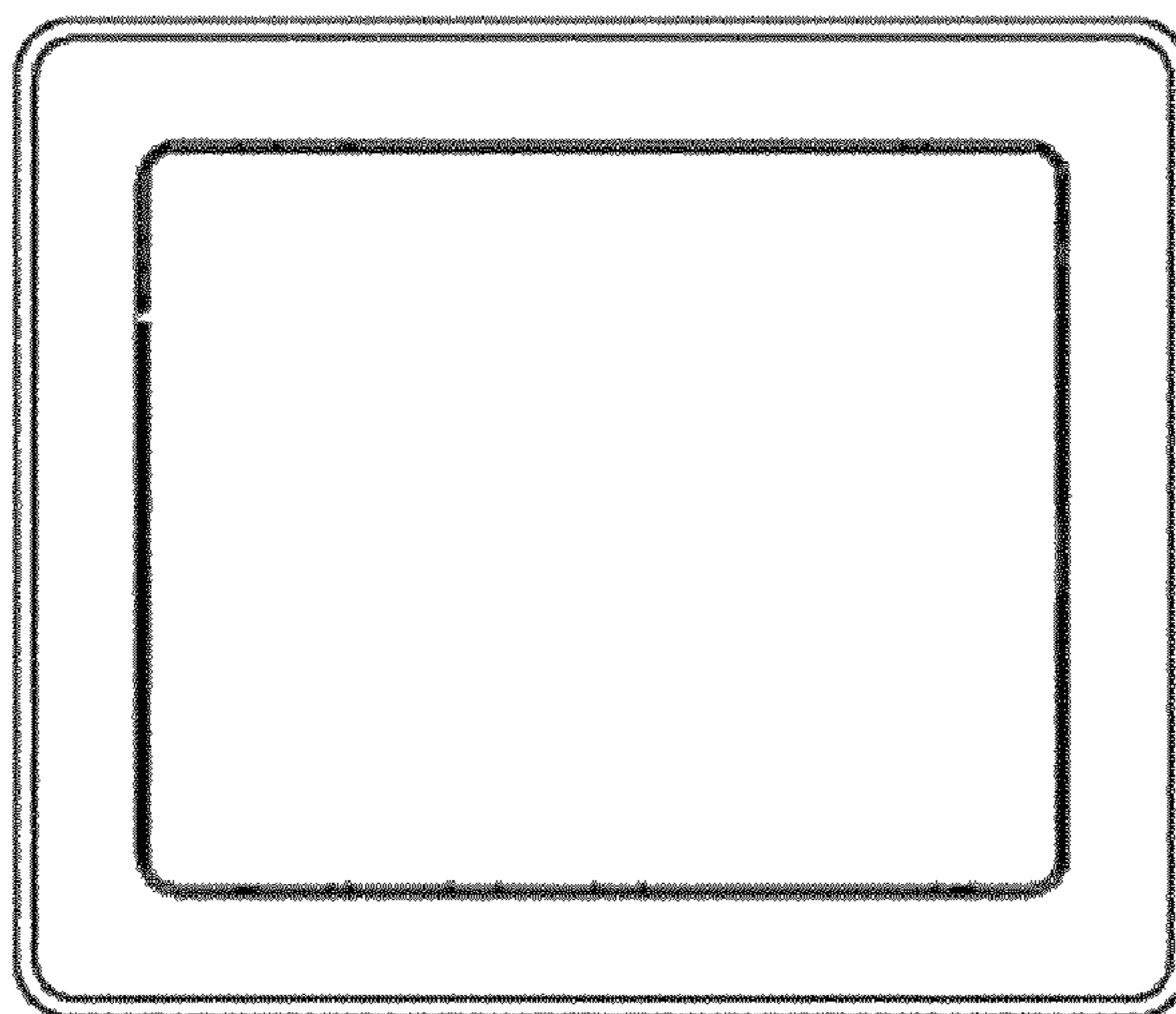


FIG. 2

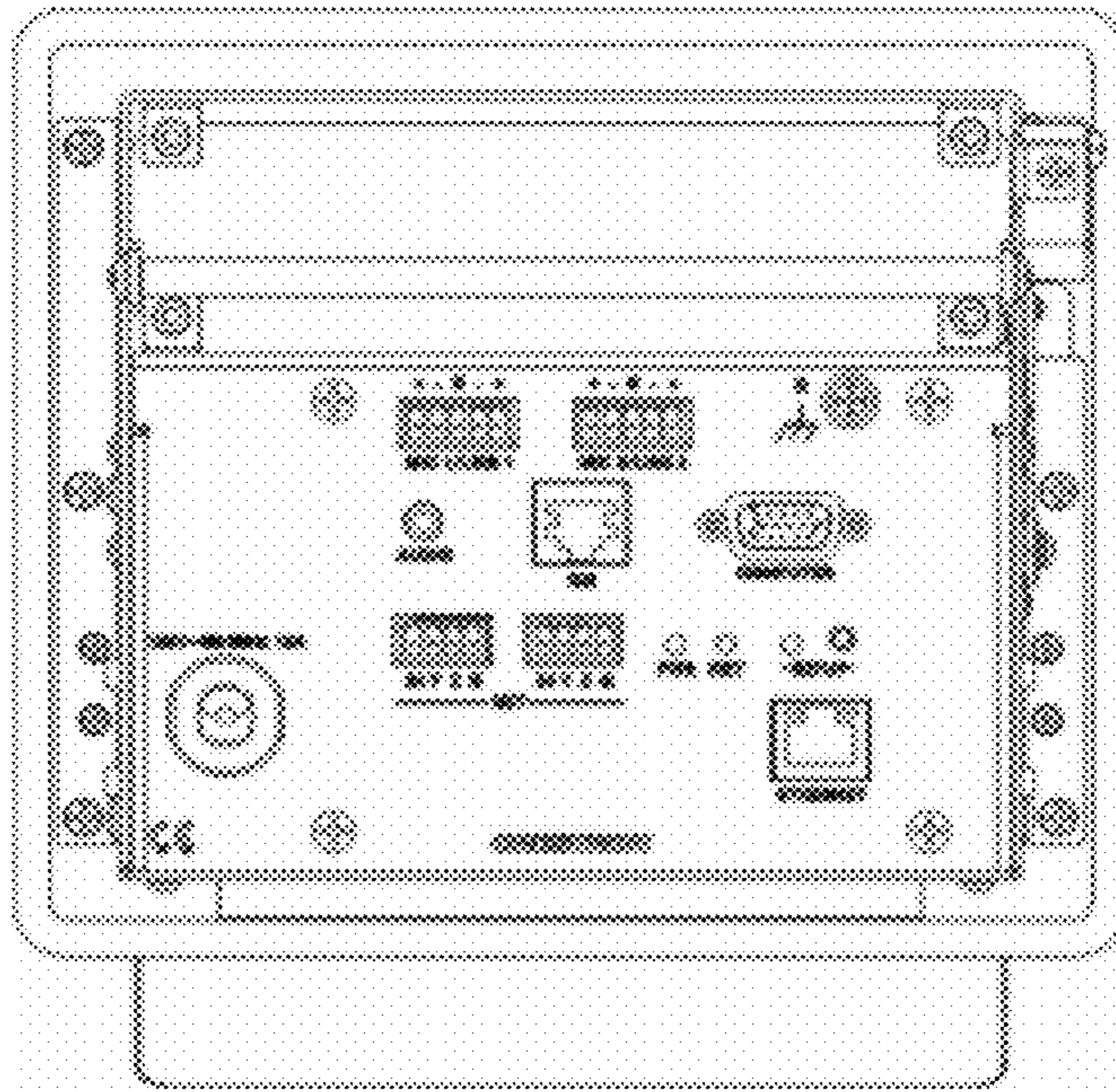


FIG. 3

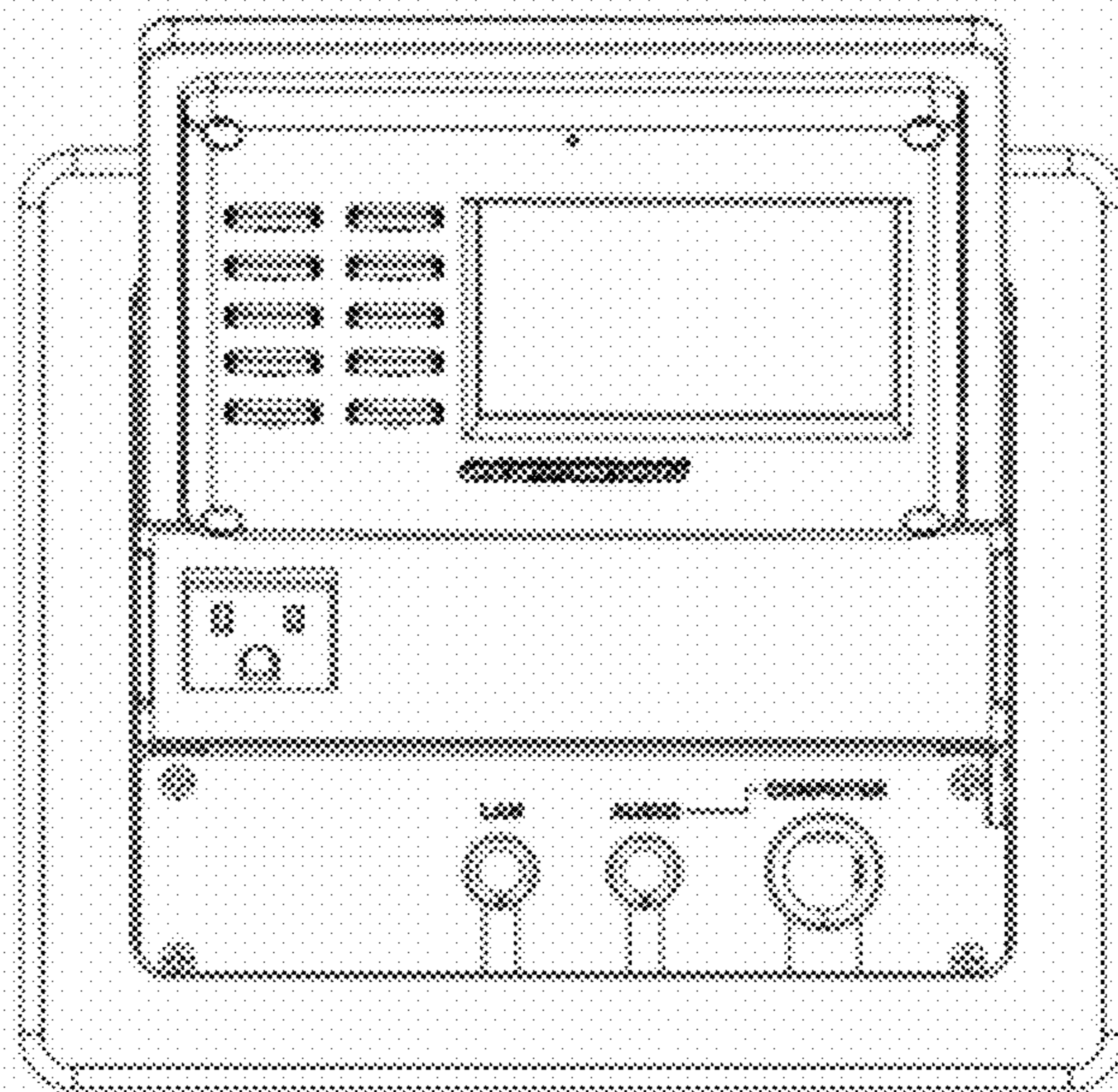


FIG. 4

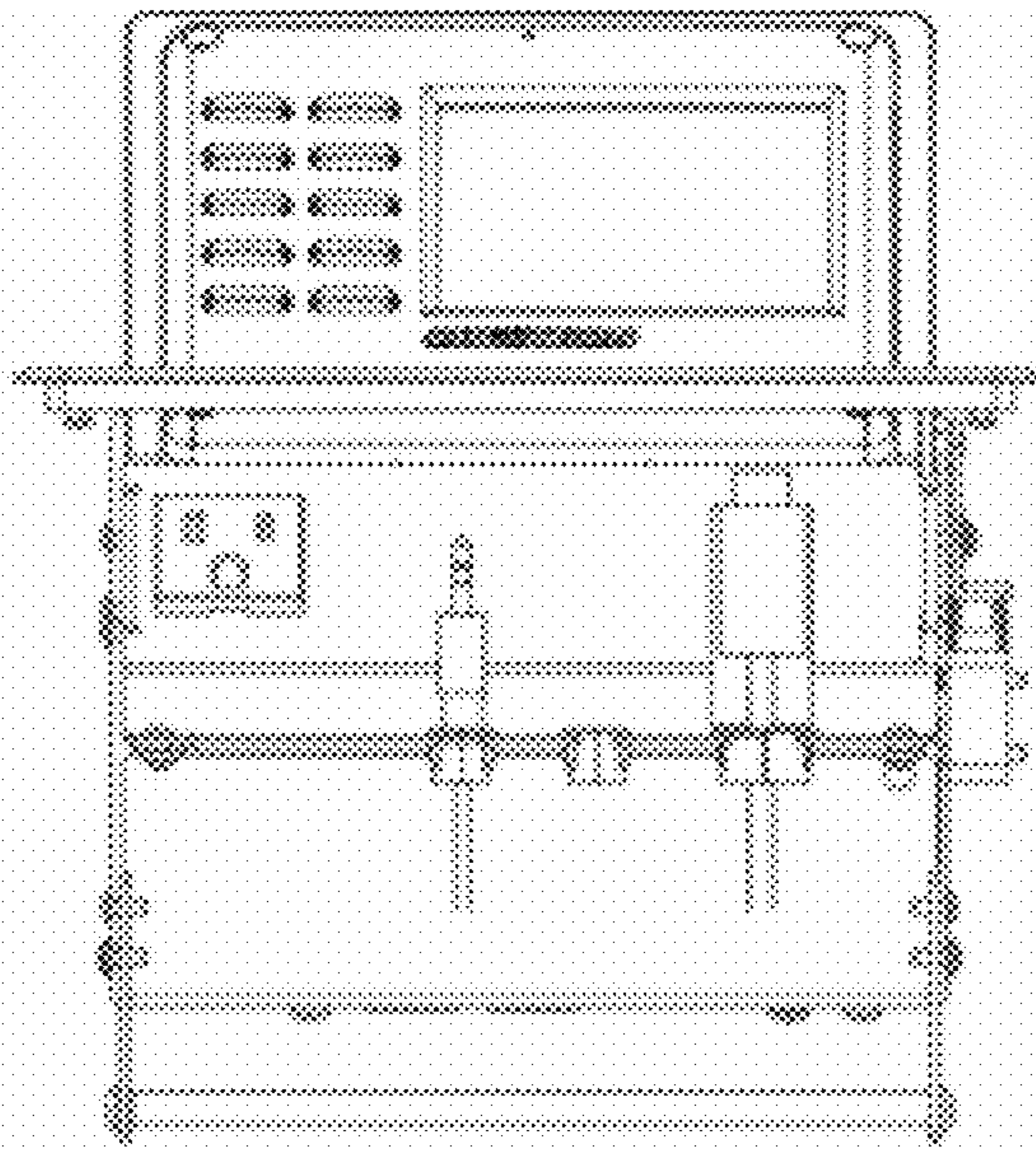


FIG. 5

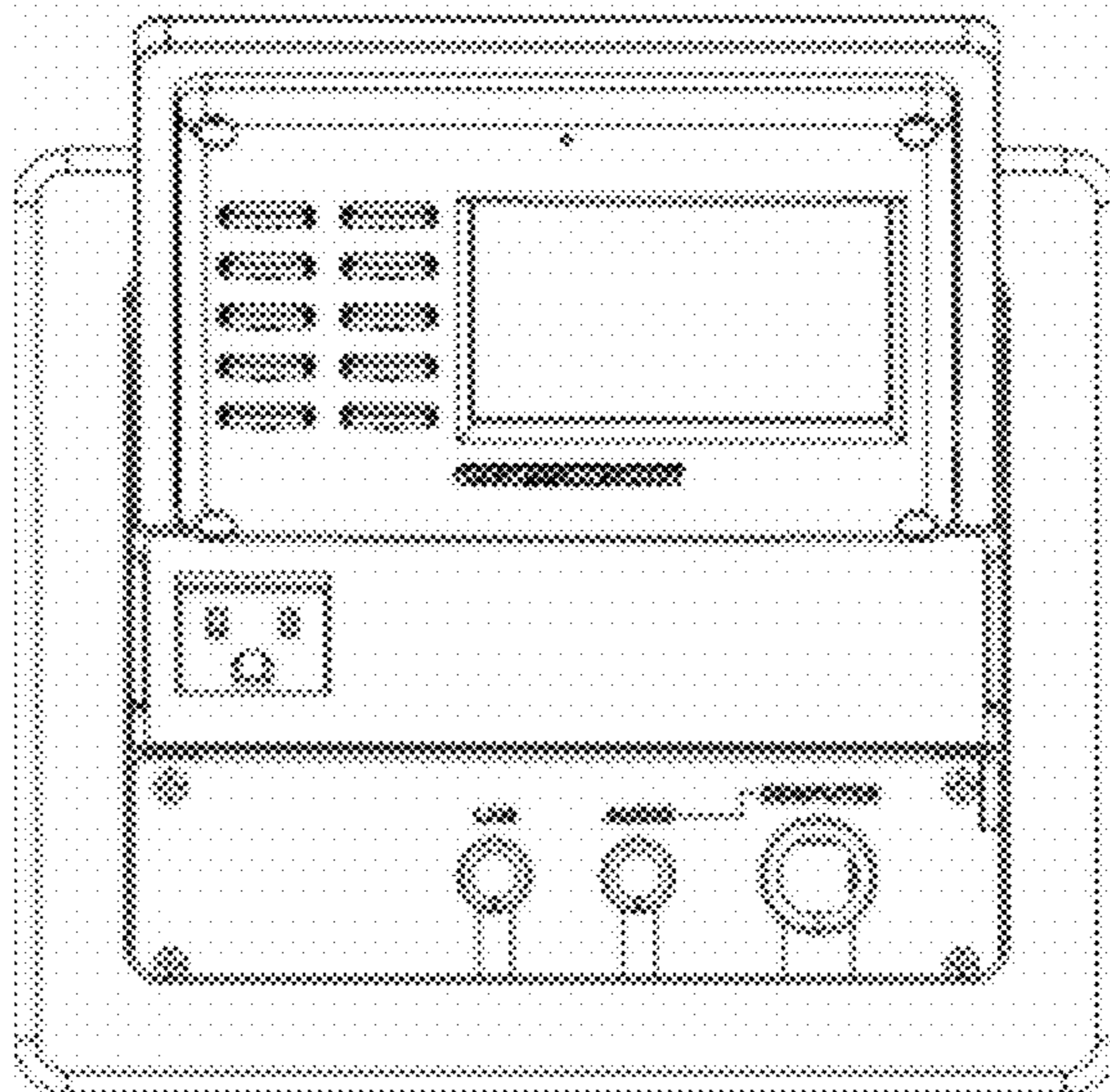


FIG. 6

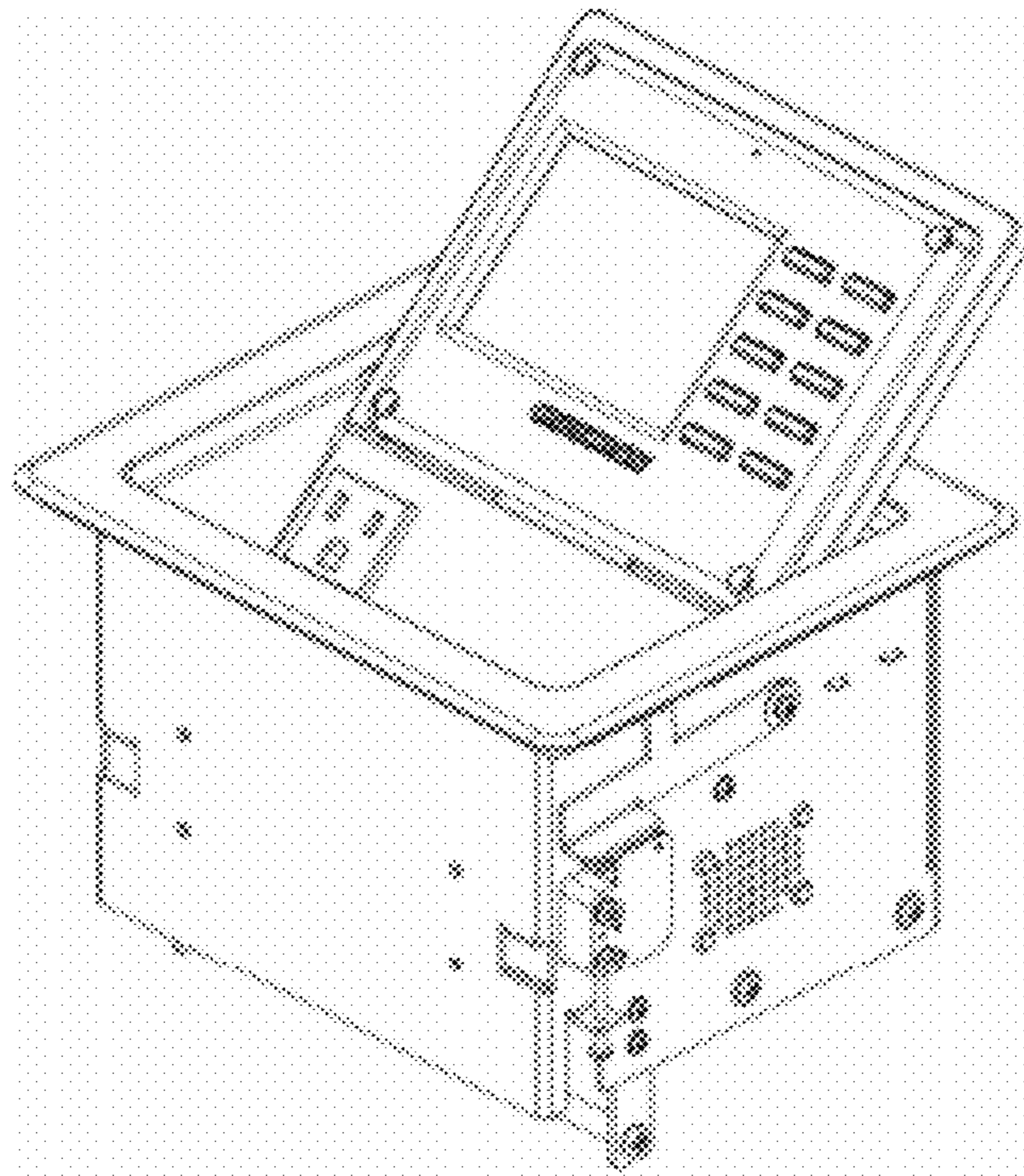


FIG. 7

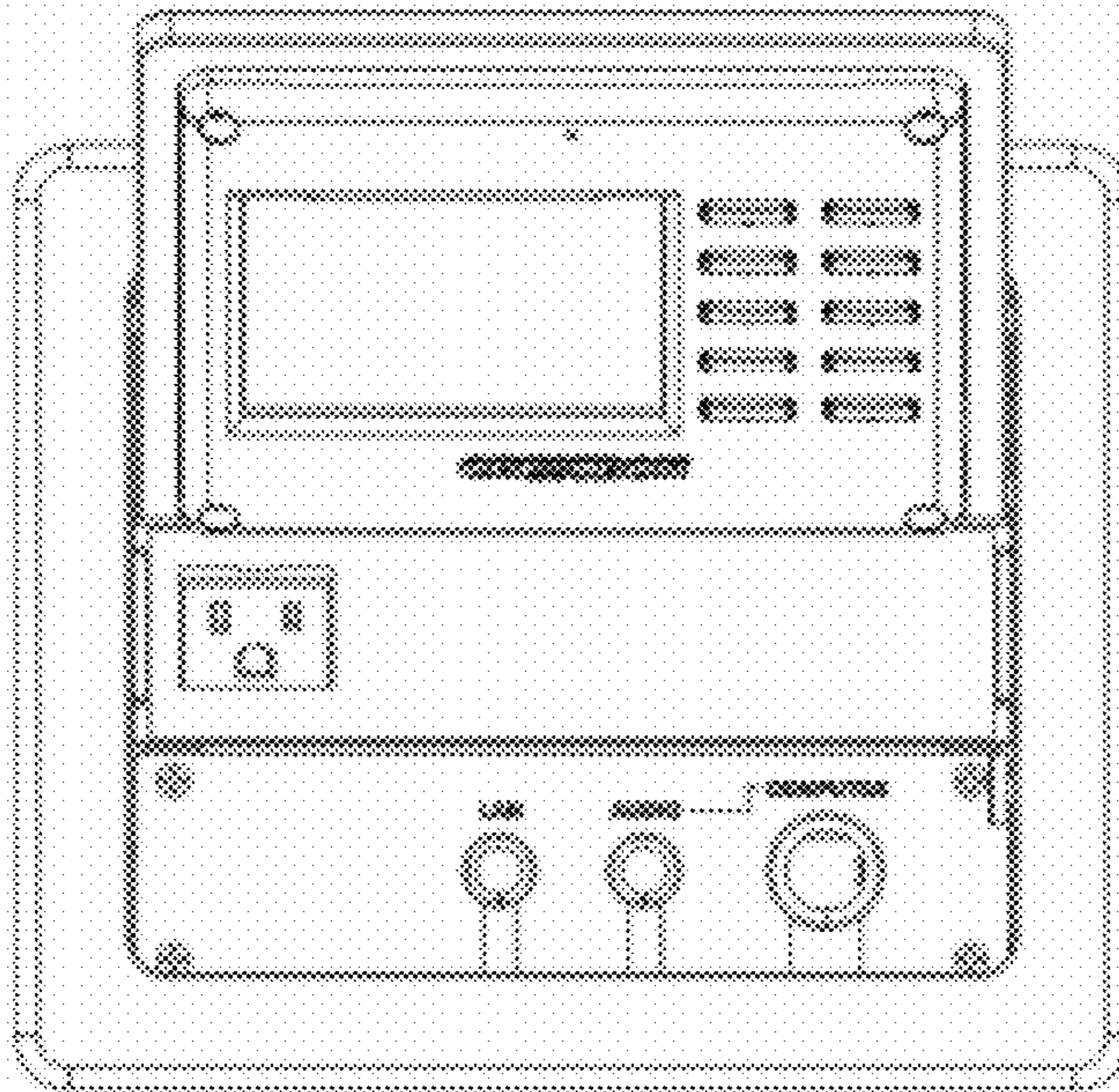


FIG. 8

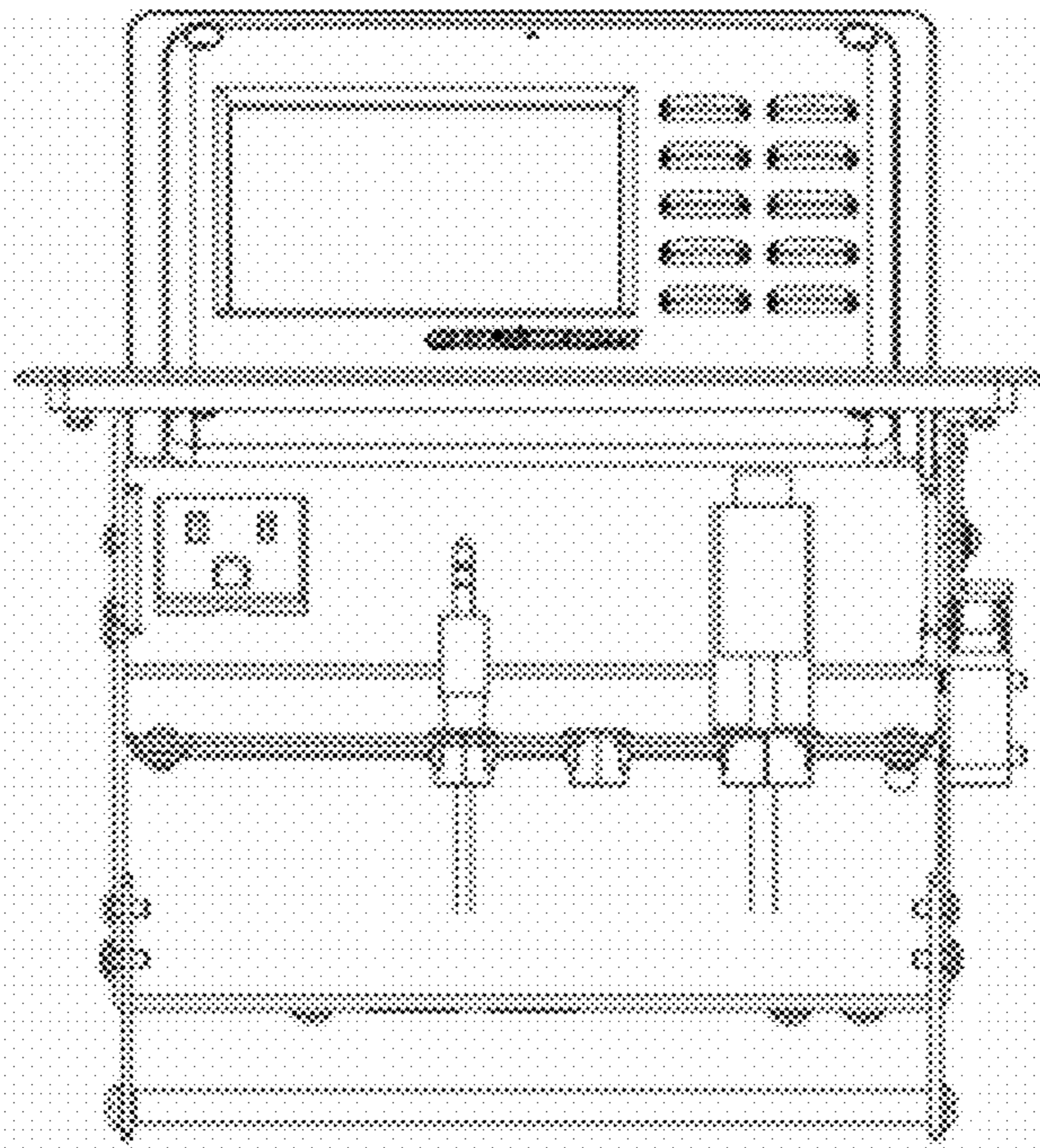


FIG. 9

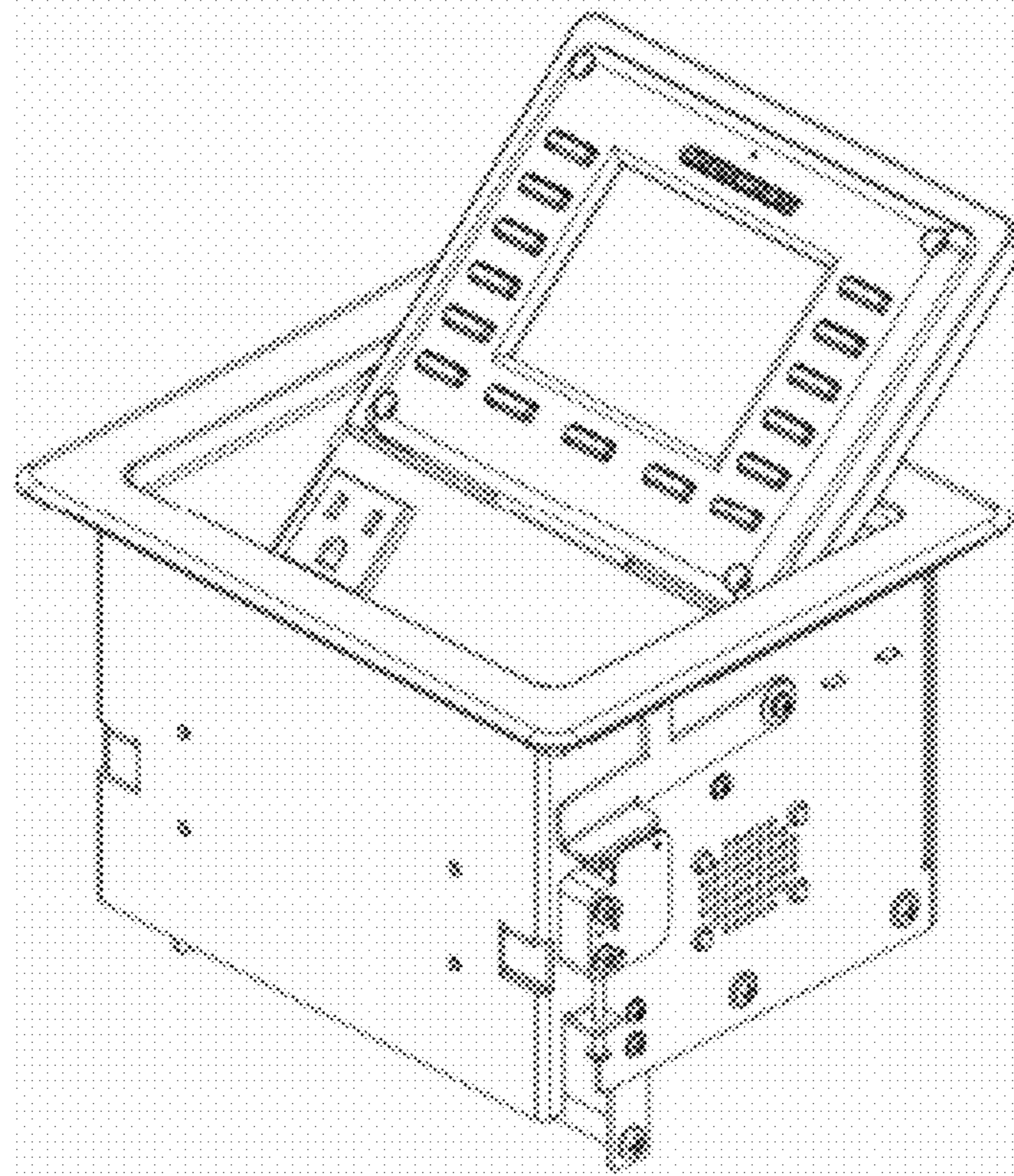


FIG. 10

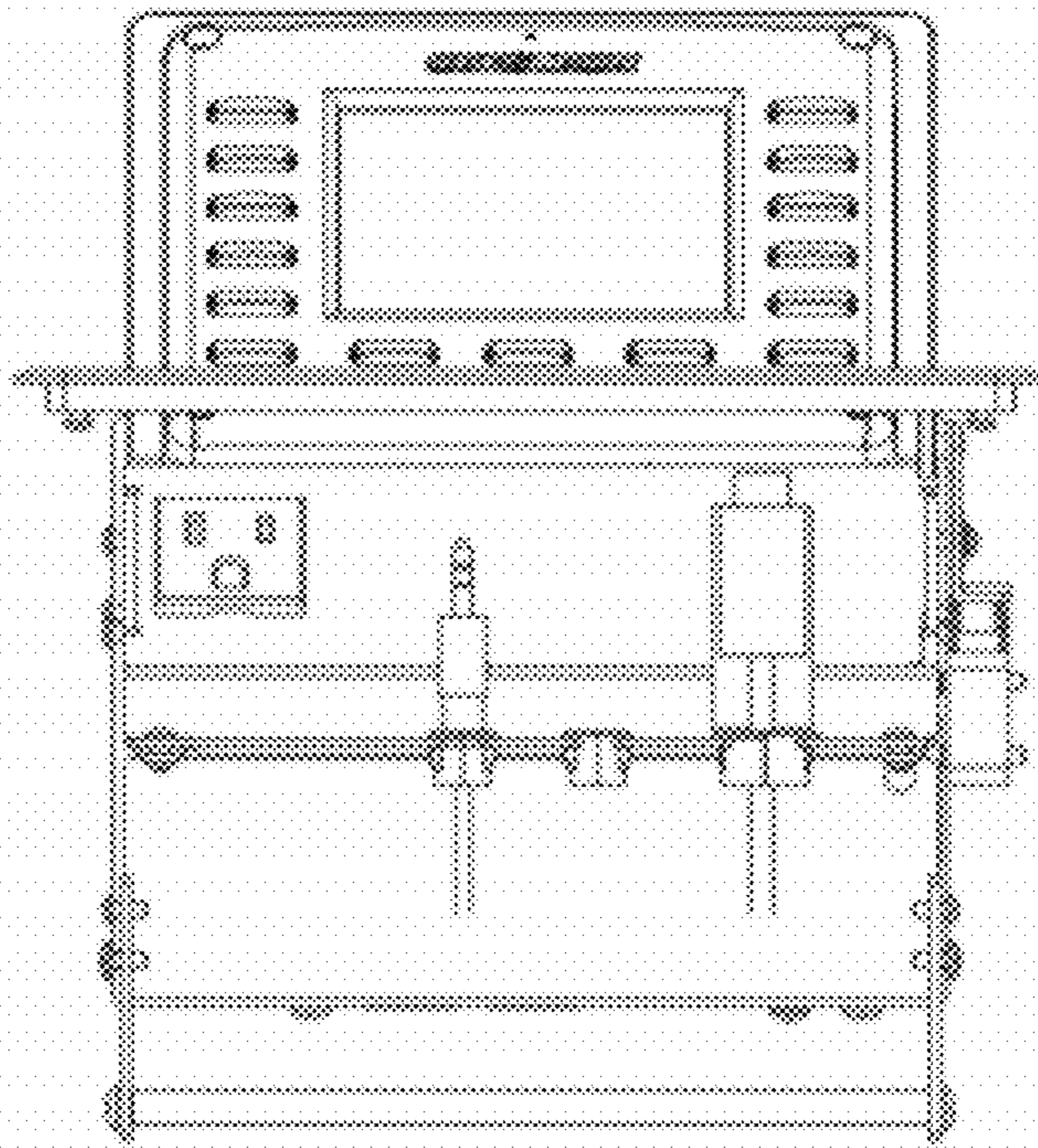


FIG. 11

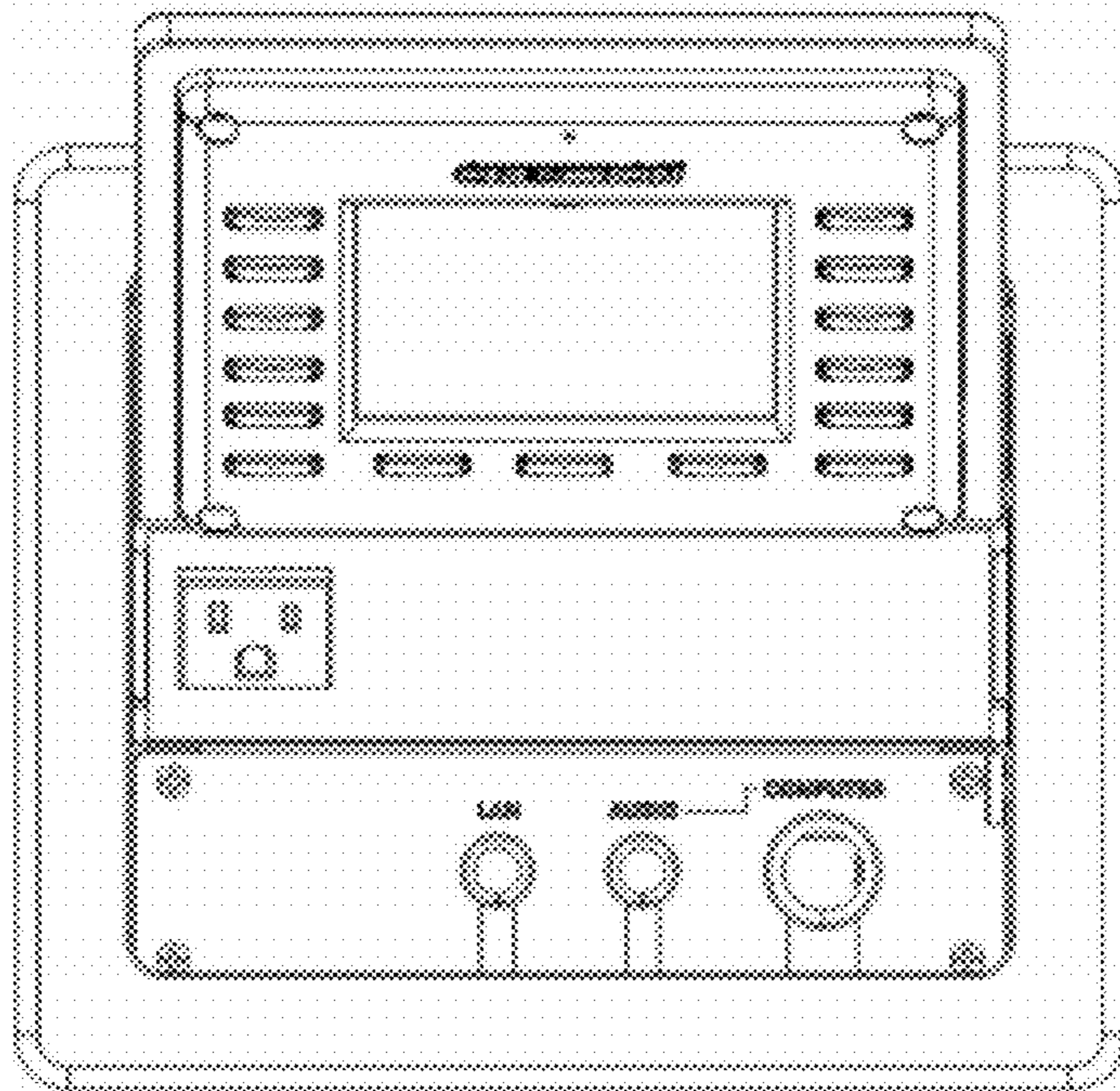


FIG. 12



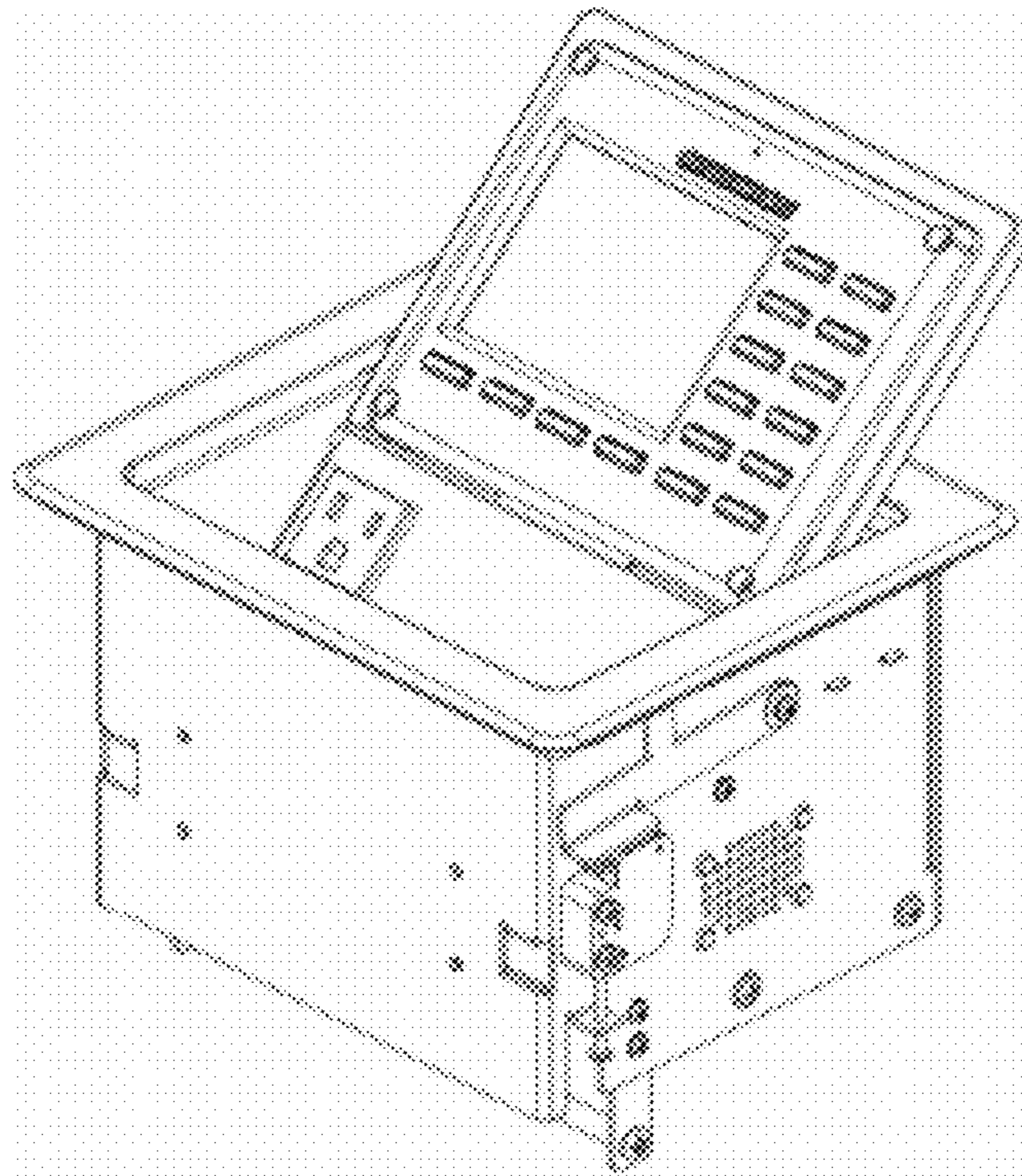


FIG. 13

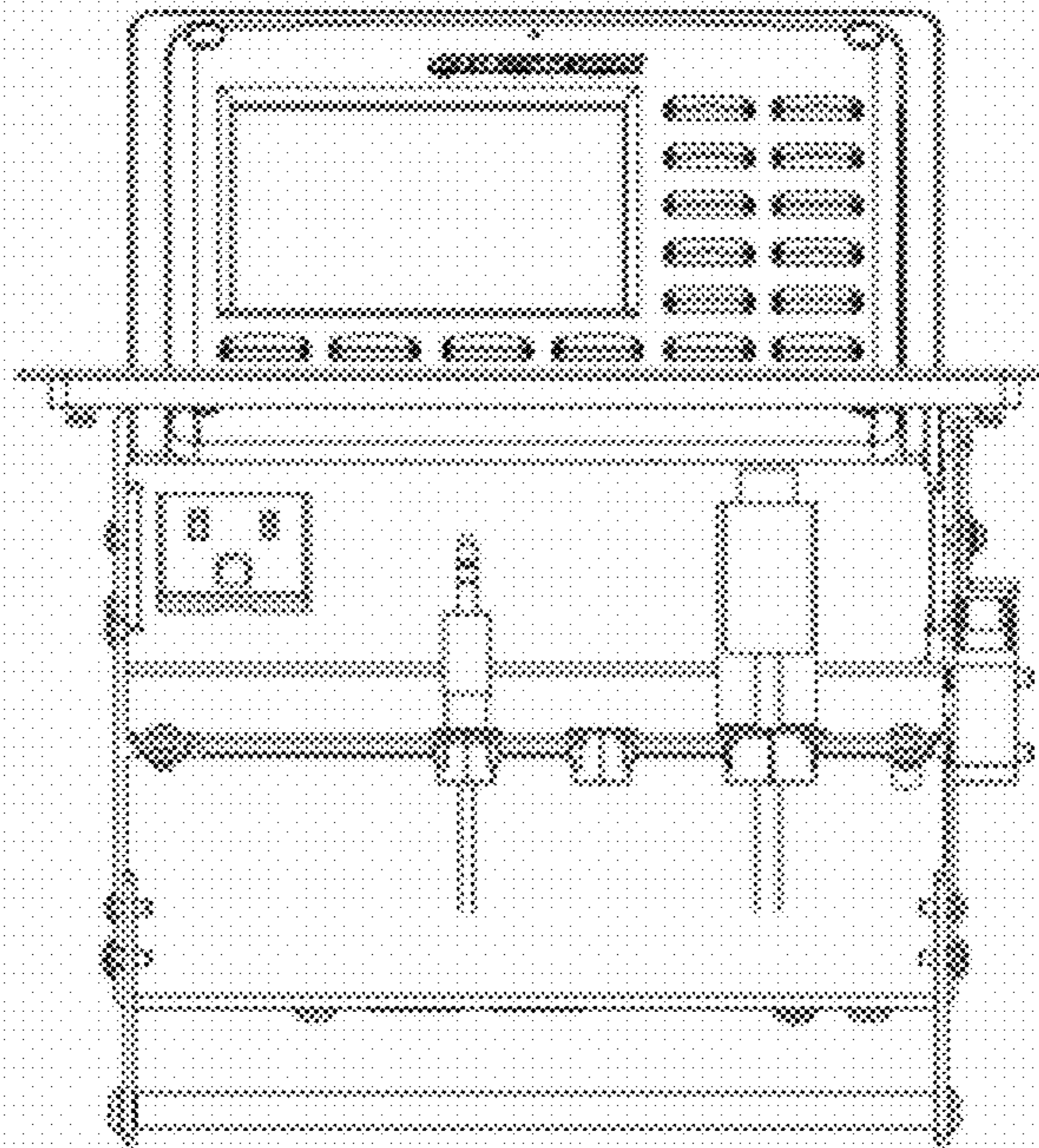


FIG. 14

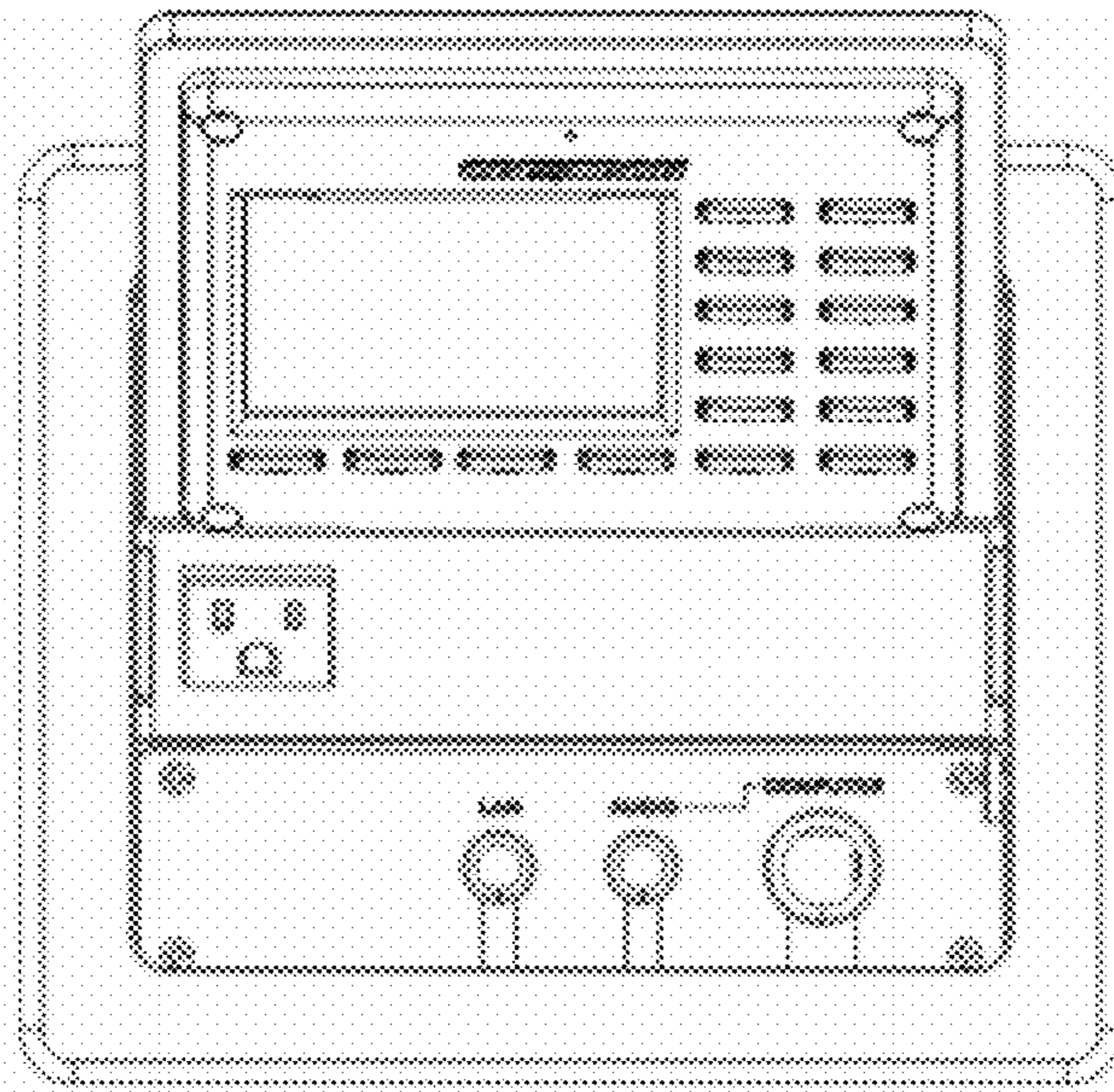


FIG. 15

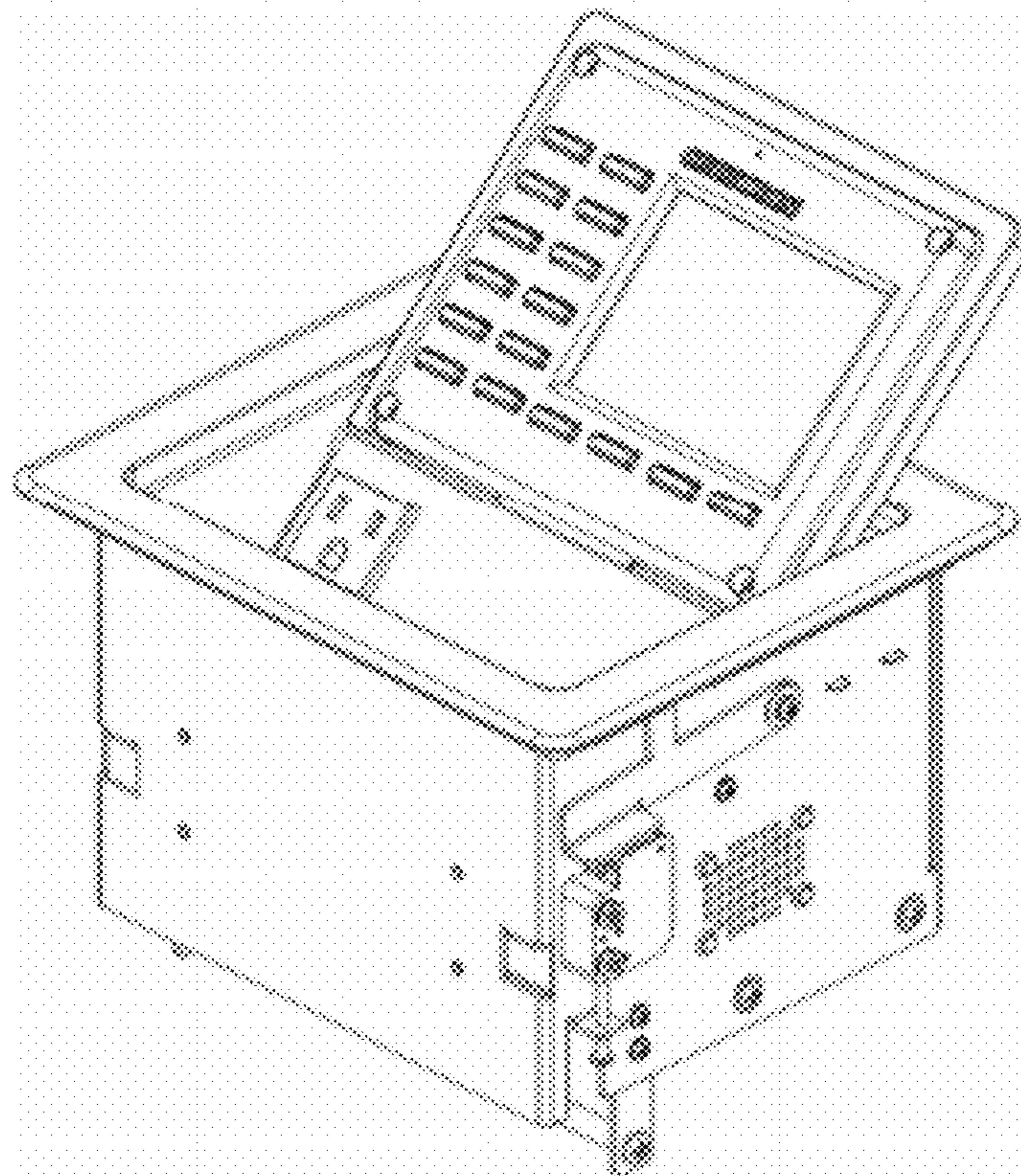


FIG. 16

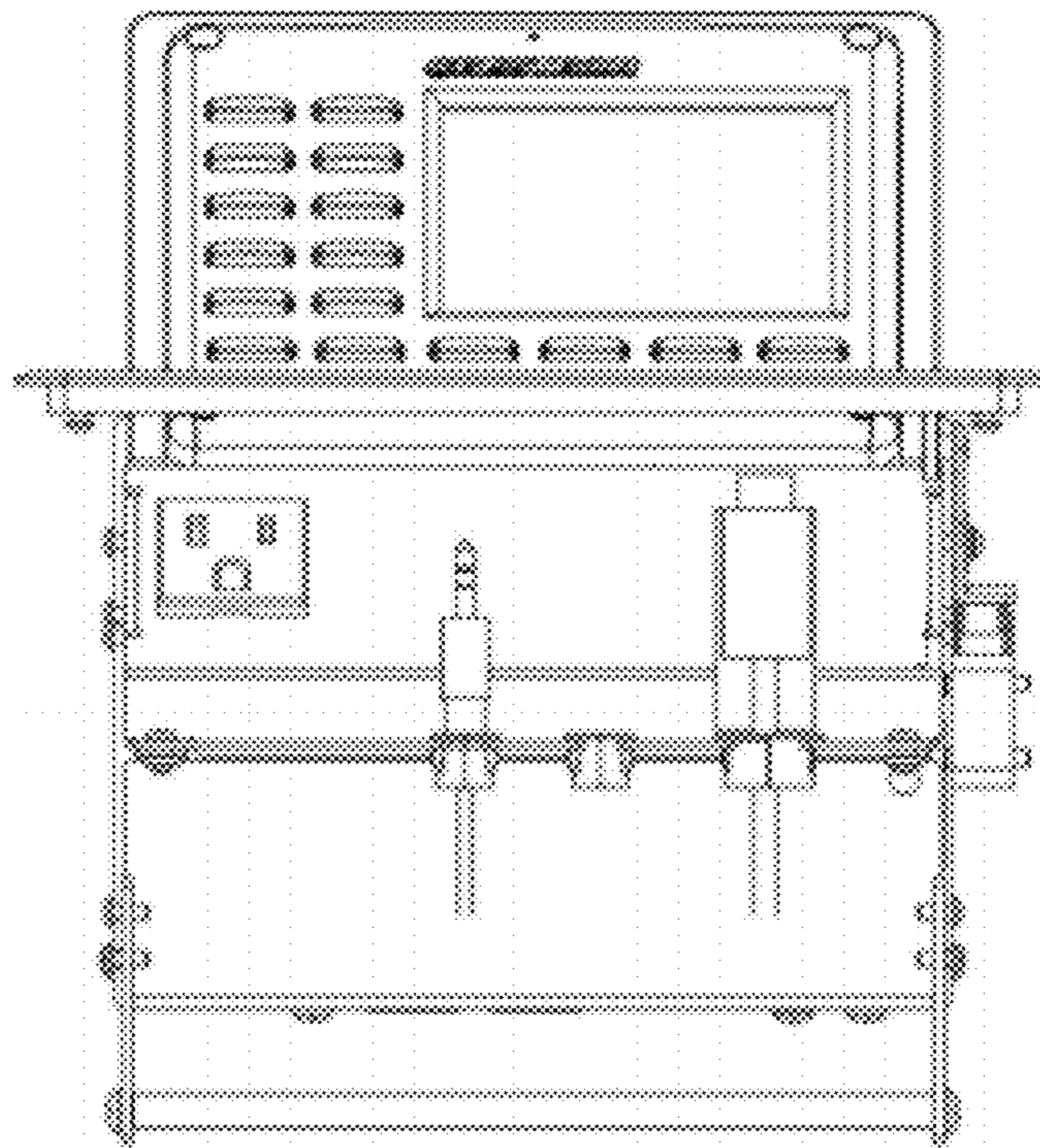


FIG. 17

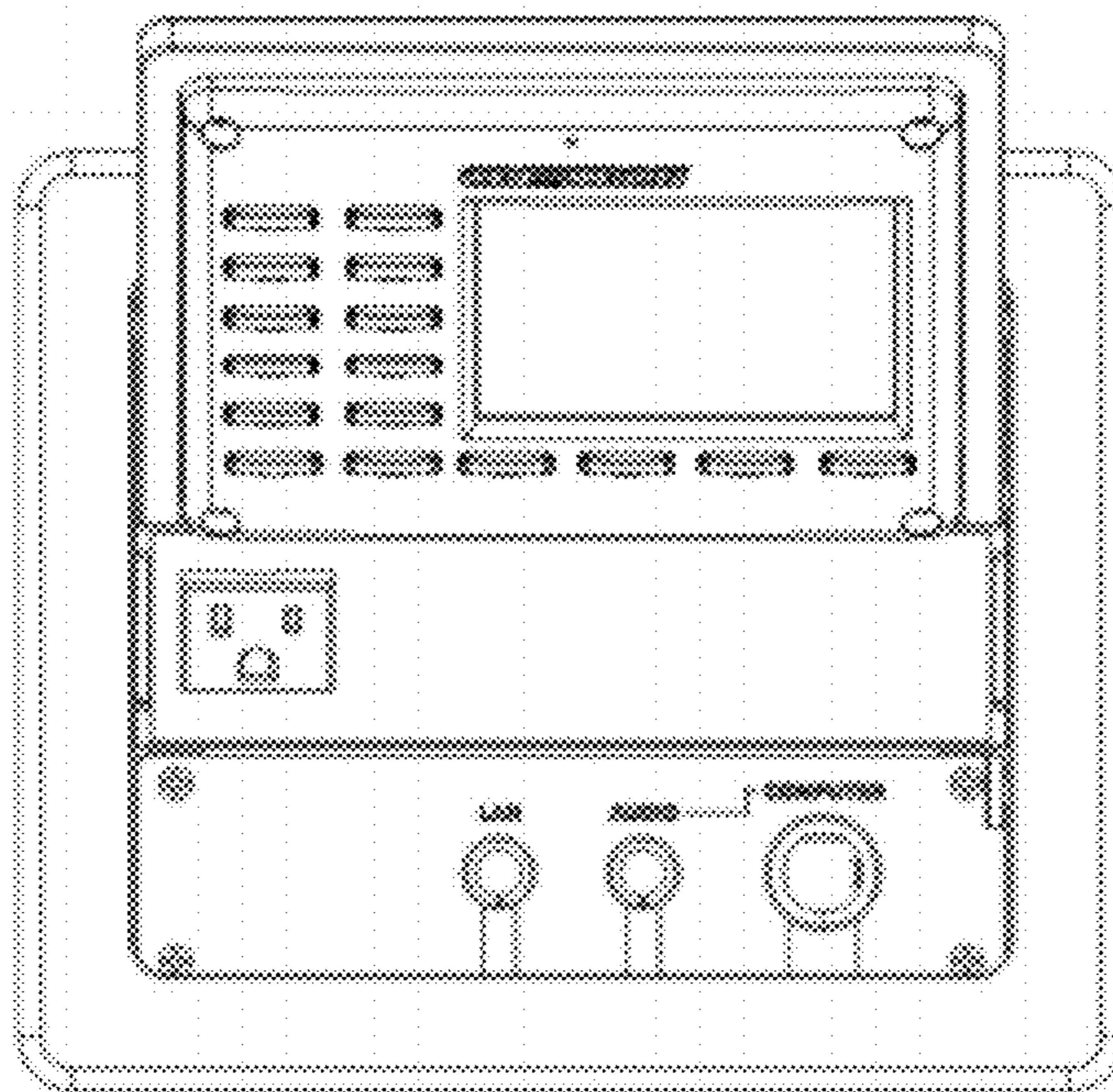


FIG. 18