



US00D657313S

(12) **United States Design Patent**  
**Fahrendorff et al.**

(10) **Patent No.:** **US D657,313 S**

(45) **Date of Patent:** **\*\* \*Apr. 10, 2012**

(54) **PLUG**

(75) Inventors: **Anders Fahrendorff**, Ottawa (CA);  
**Todd Andrew Wood**, Guelph (CA);  
**Dustin Jonathan Smith**, Kitchener (CA)

(73) Assignee: **Research In Motion Limited**, Waterloo,  
Ontario (CA)

(\*) Notice: This patent is subject to a terminal dis-  
claimer.

(\*\*) Term: **14 Years**

(21) Appl. No.: **29/355,001**

(22) Filed: **Feb. 1, 2010**

(51) **LOC (9) Cl.** ..... **13-03**

(52) **U.S. Cl.** ..... **D13/138.2**

(58) **Field of Classification Search** ..... D13/138.1,  
D13/138.2, 139.1–139.8, 137.1–137.4, 133,  
D13/107, 108, 110, 146, 147, 154, 174, 177;  
D8/353, 350; 363/15, 34, 146; 439/93, 105,  
439/106, 535, 620.15, 620.21, 620.3, 620.31,  
439/907, 908, 919, 650, 651, 652, 653, 654,  
439/655, 692; 174/494, 53, 55, 59, 66; 320/111,  
320/114, 115; 307/150, 151

See application file for complete search history.

(56) **References Cited**

U.S. PATENT DOCUMENTS

D375,080	S	*	10/1996	Sandor et al.	.....	D13/138.2
6,247,941	B1	*	6/2001	Lee et al.	.....	439/105
D498,462	S	*	11/2004	Andre et al.	.....	D13/146
D601,501	S	*	10/2009	Kaibara et al.	.....	D13/110
D610,994	S	*	3/2010	Fahrendorff et al.	.....	D13/138.1
D613,691	S	*	4/2010	Fahrendorff et al.	.....	D13/133
D617,275	S	*	6/2010	Fahrendorff et al.	.....	D13/138.1
D617,276	S	*	6/2010	Fahrendorff et al.	.....	D13/138.1
D617,277	S	*	6/2010	Fahrendorff et al.	.....	D13/138.1
D620,889	S	*	8/2010	Smith et al.	.....	D13/138.2
D627,728	S	*	11/2010	Smith et al.	.....	D13/138.1
D627,729	S	*	11/2010	Smith et al.	.....	D13/138.1
2007/0032109	A1	*	2/2007	Hung	.....	439/172

\* cited by examiner

*Primary Examiner* — Angela J Lee

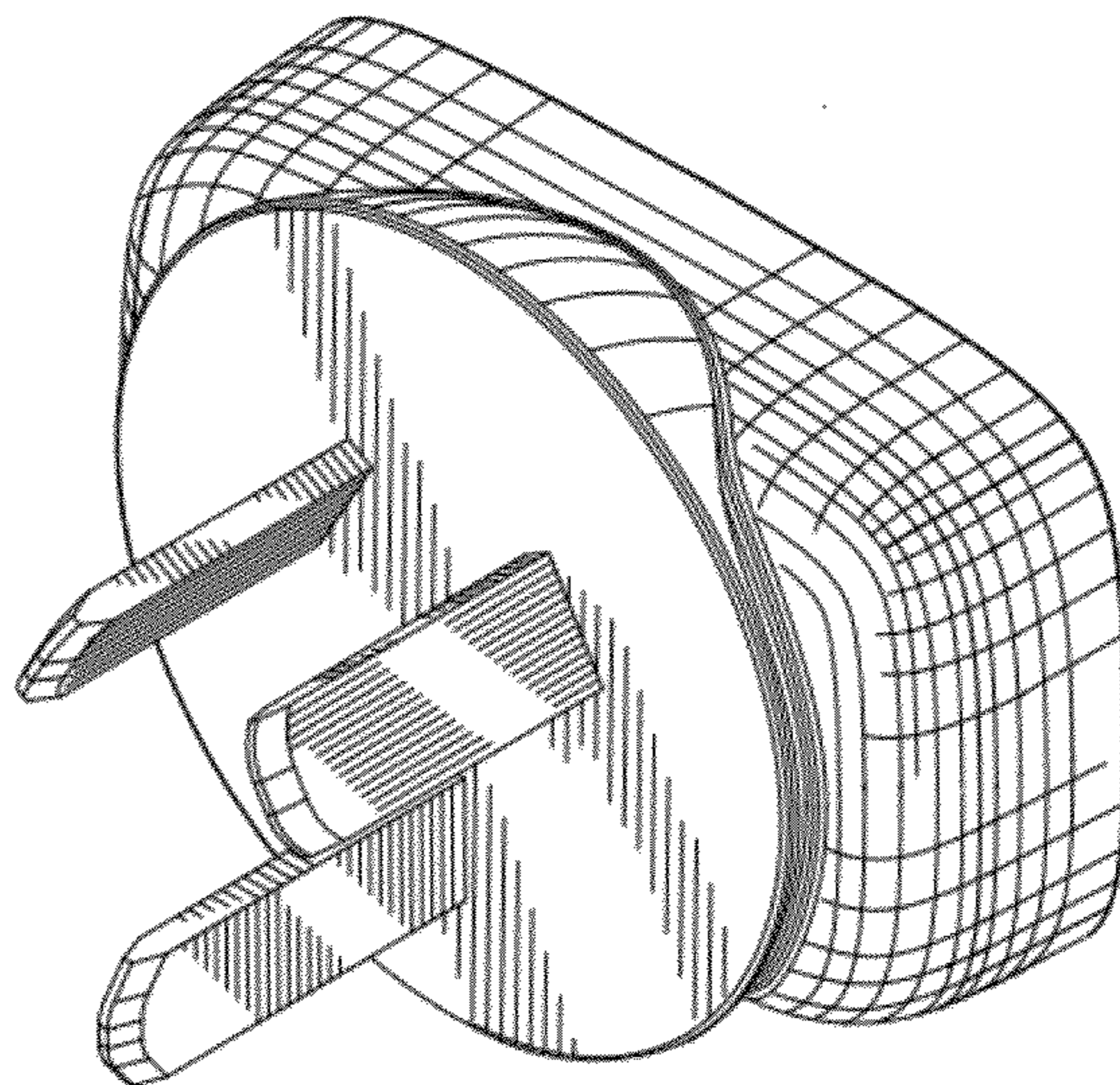
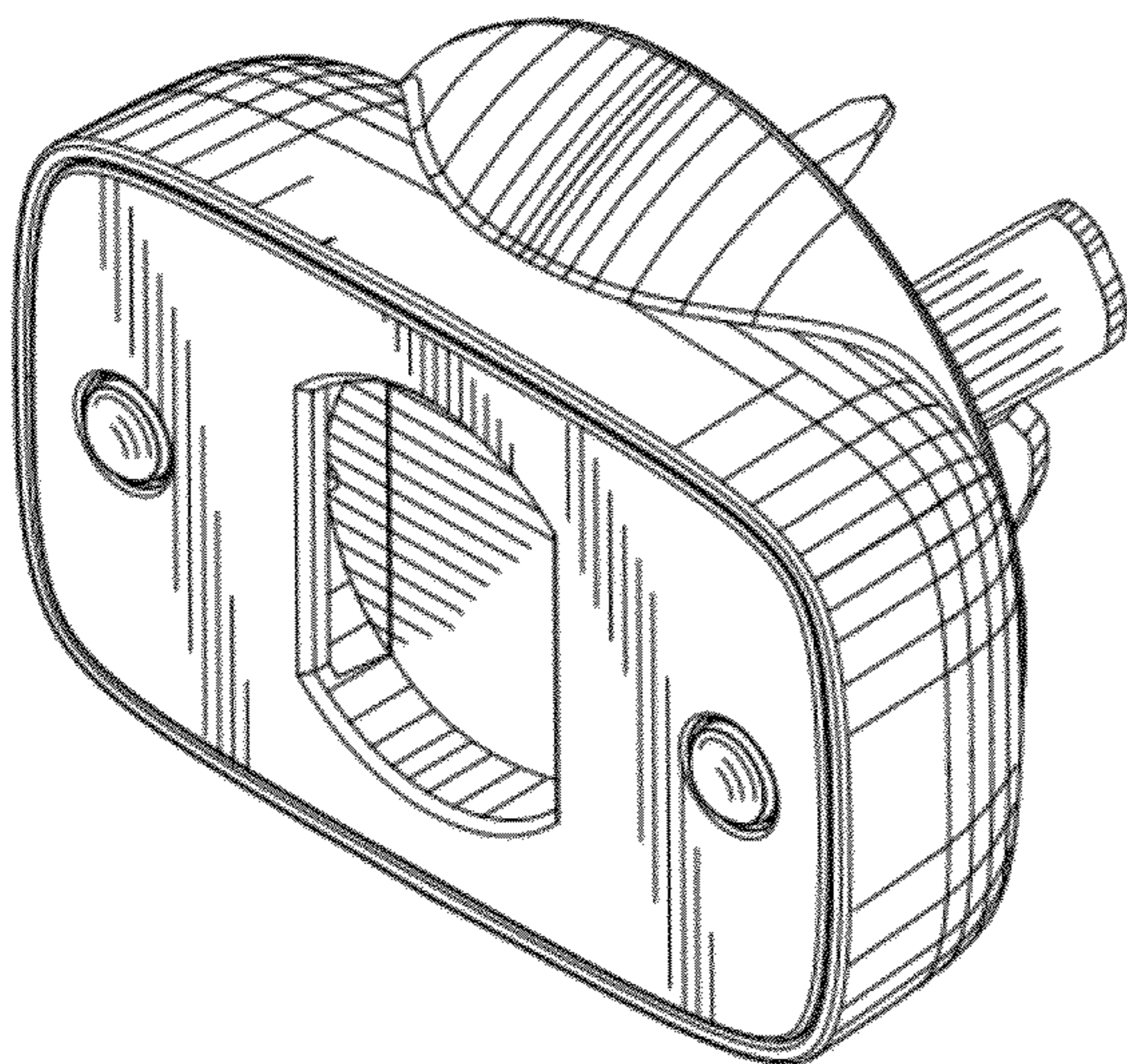
(57) **CLAIM**

We claim the ornamental design for a plug, as shown and  
described.

**DESCRIPTION**

FIG. 1 is a front perspective view of a plug;  
FIG. 2 is a back perspective view of the plug;  
FIG. 3 is a front elevational view thereof;  
FIG. 4 is a back elevational view thereof;  
FIG. 5 is a right elevational view thereof;  
FIG. 6 is a left elevational view thereof;  
FIG. 7 is a top plan view thereof; and,  
FIG. 8 is a bottom plan view thereof.

**1 Claim, 4 Drawing Sheets**



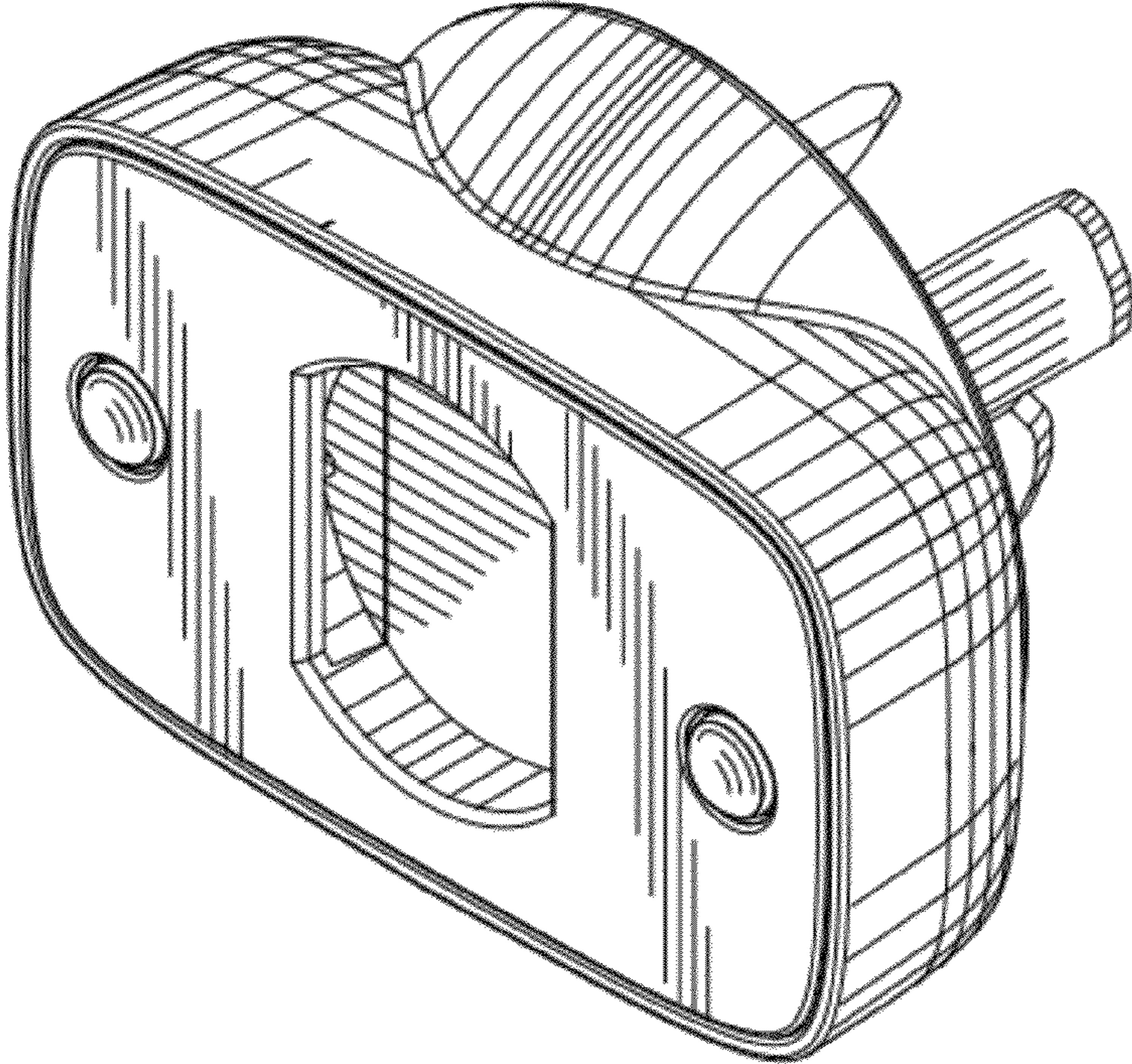


FIG. 1

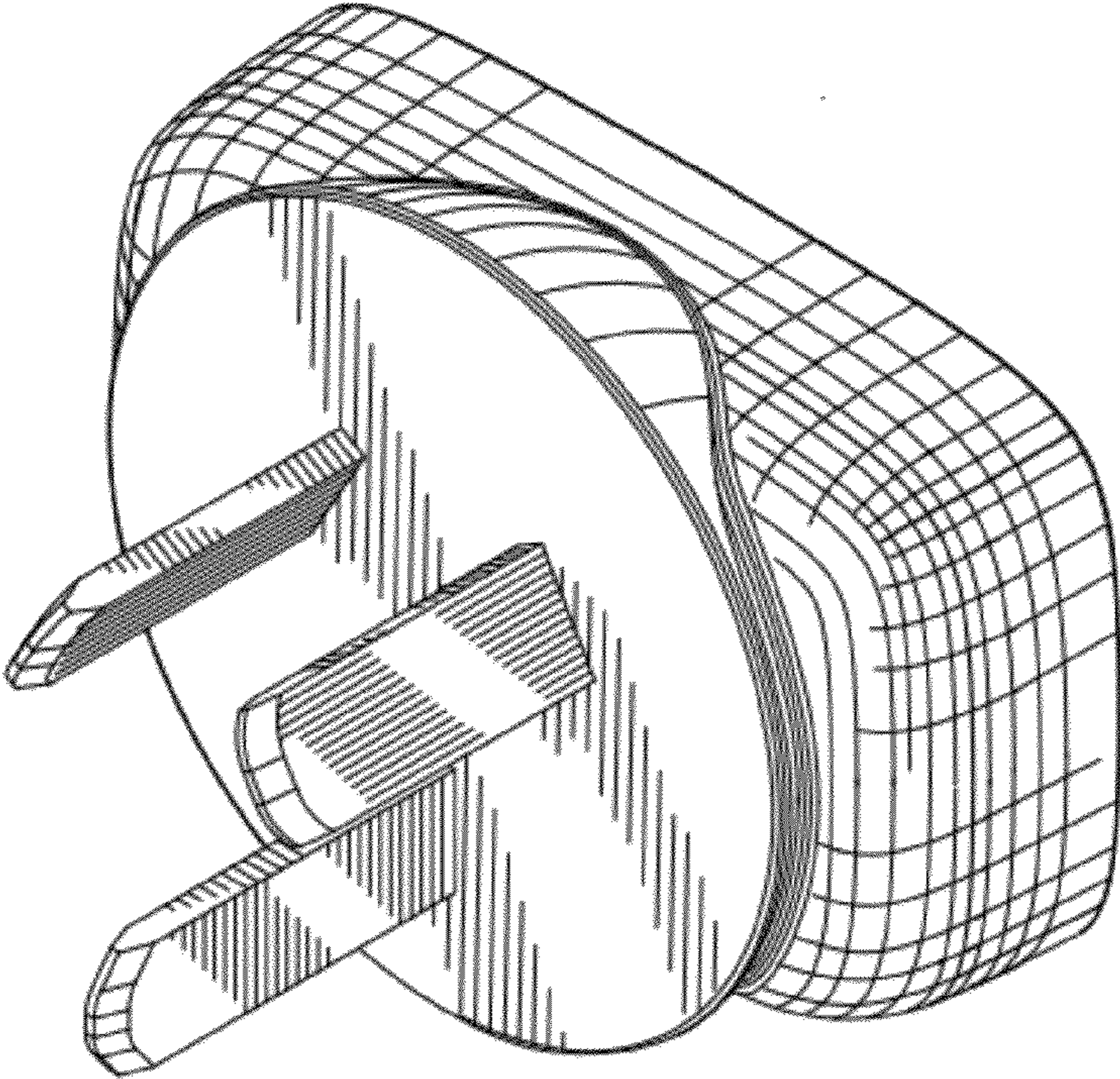


FIG. 2

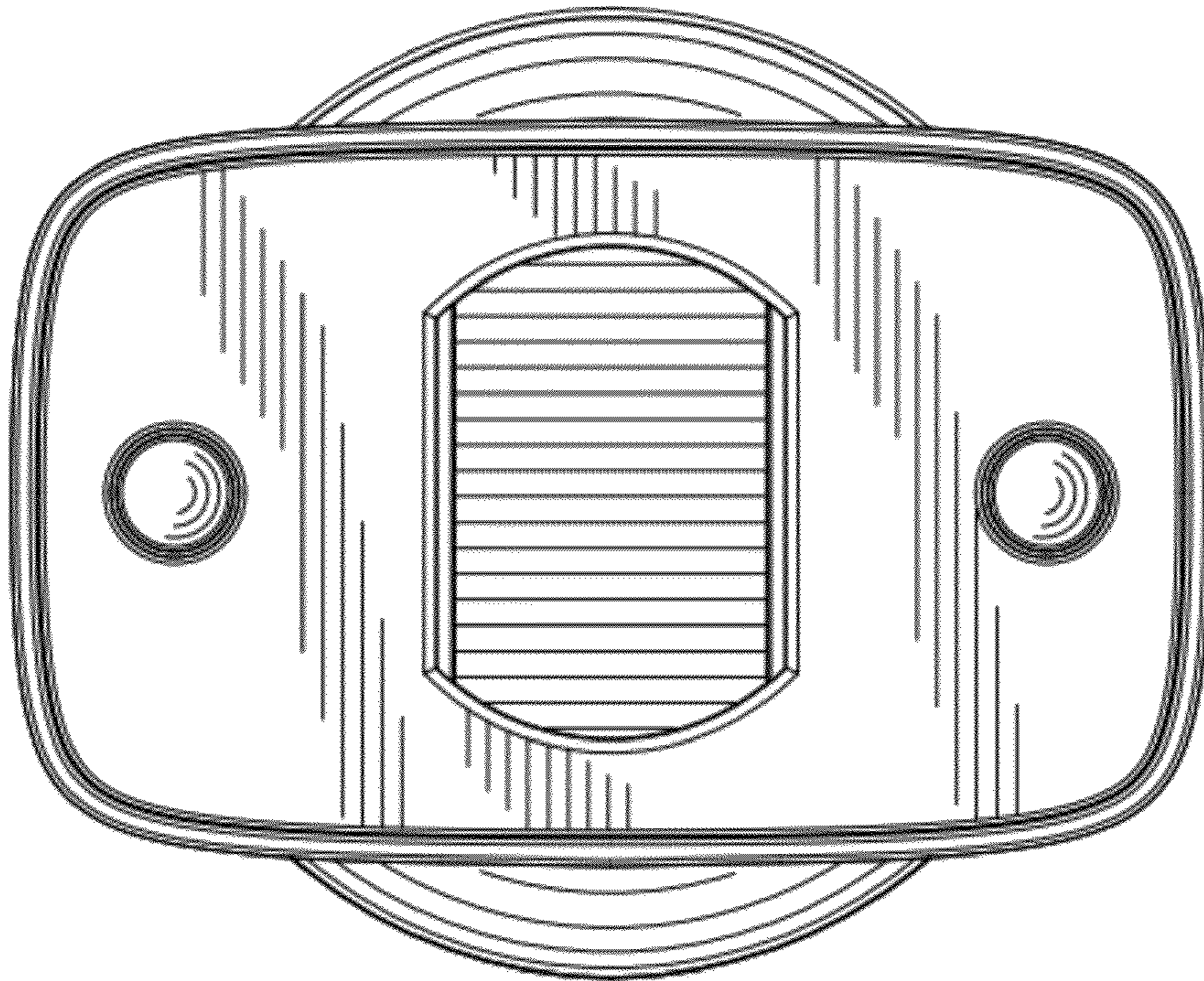


FIG.3

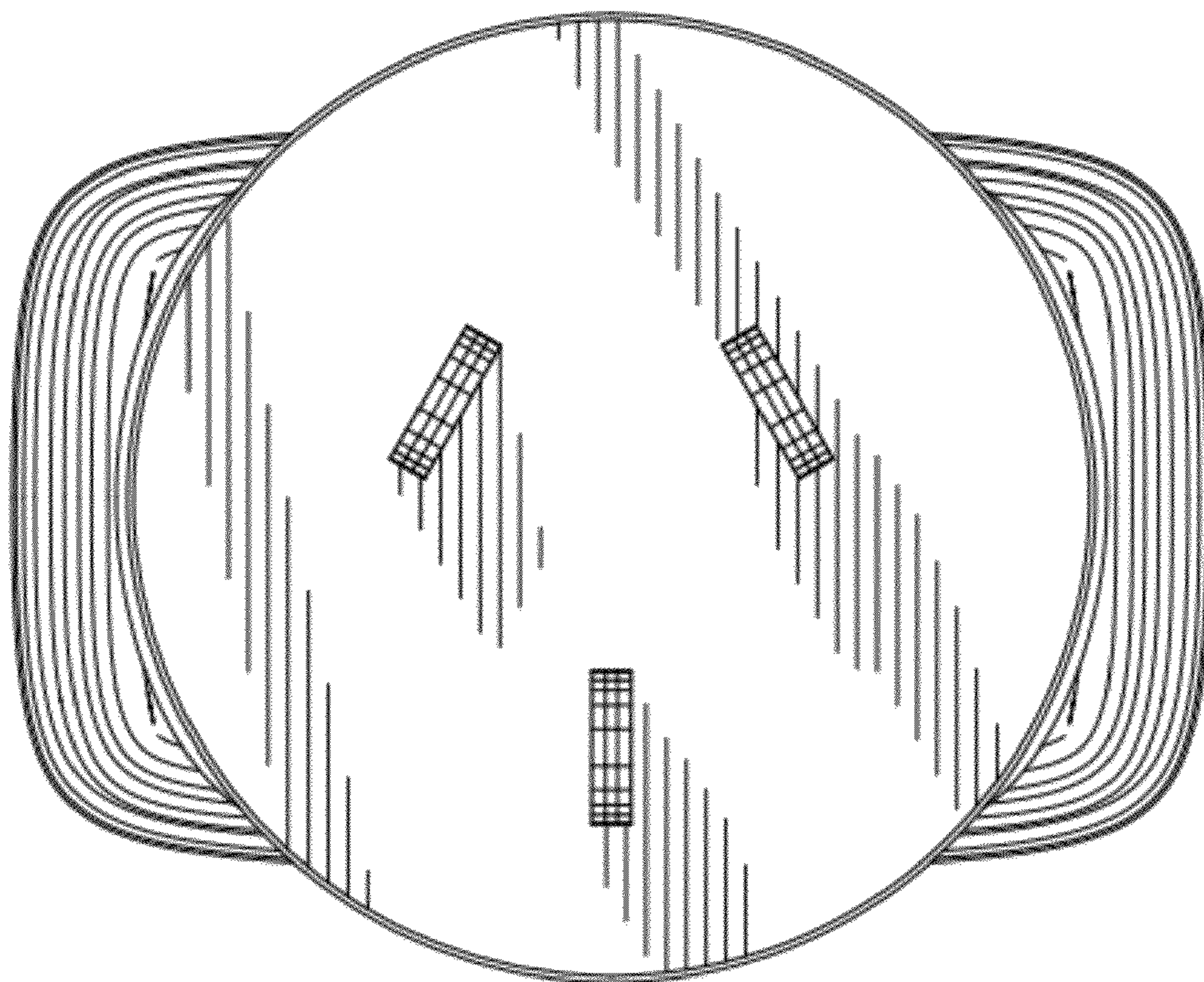


FIG.4

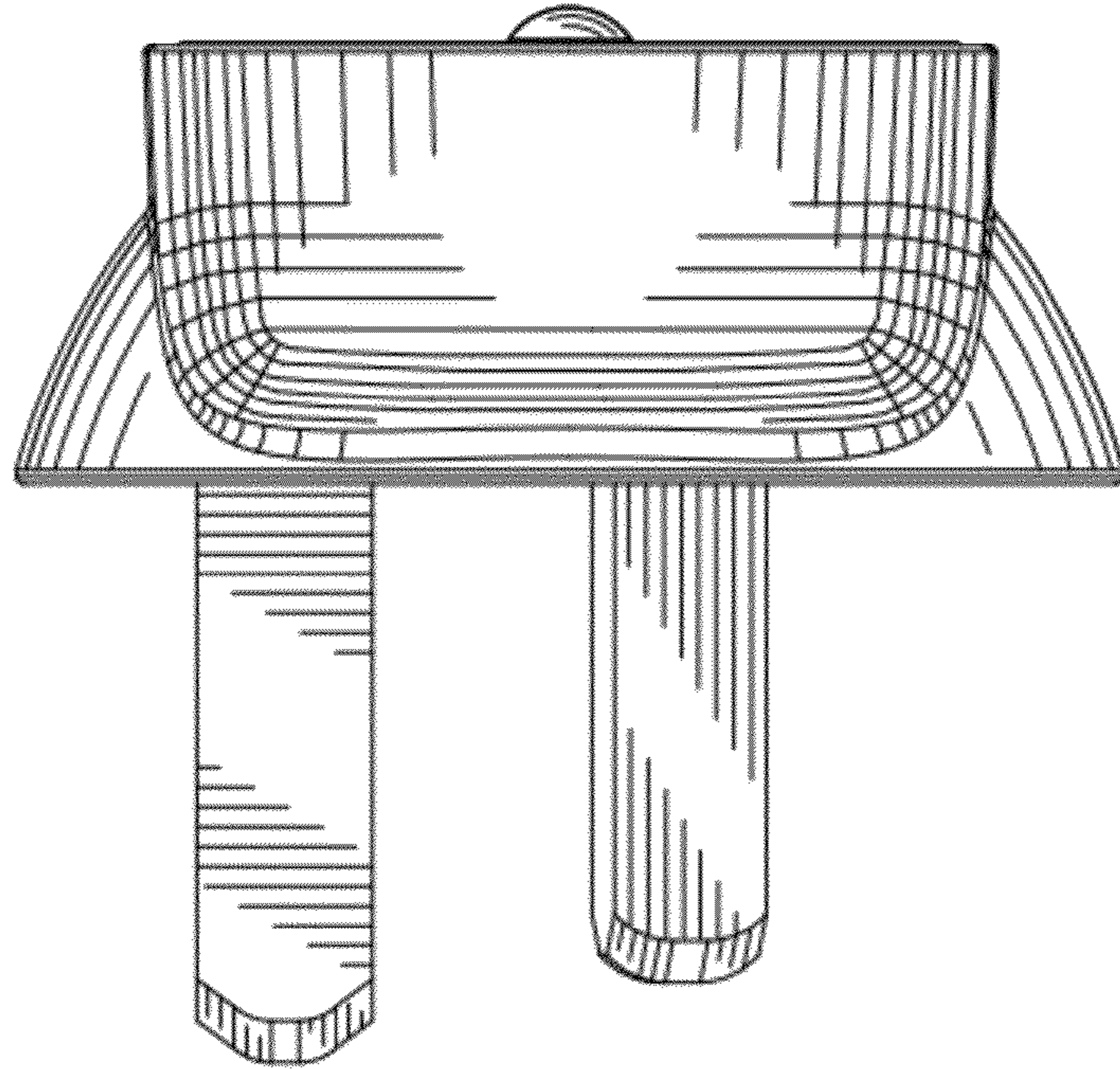


FIG. 5

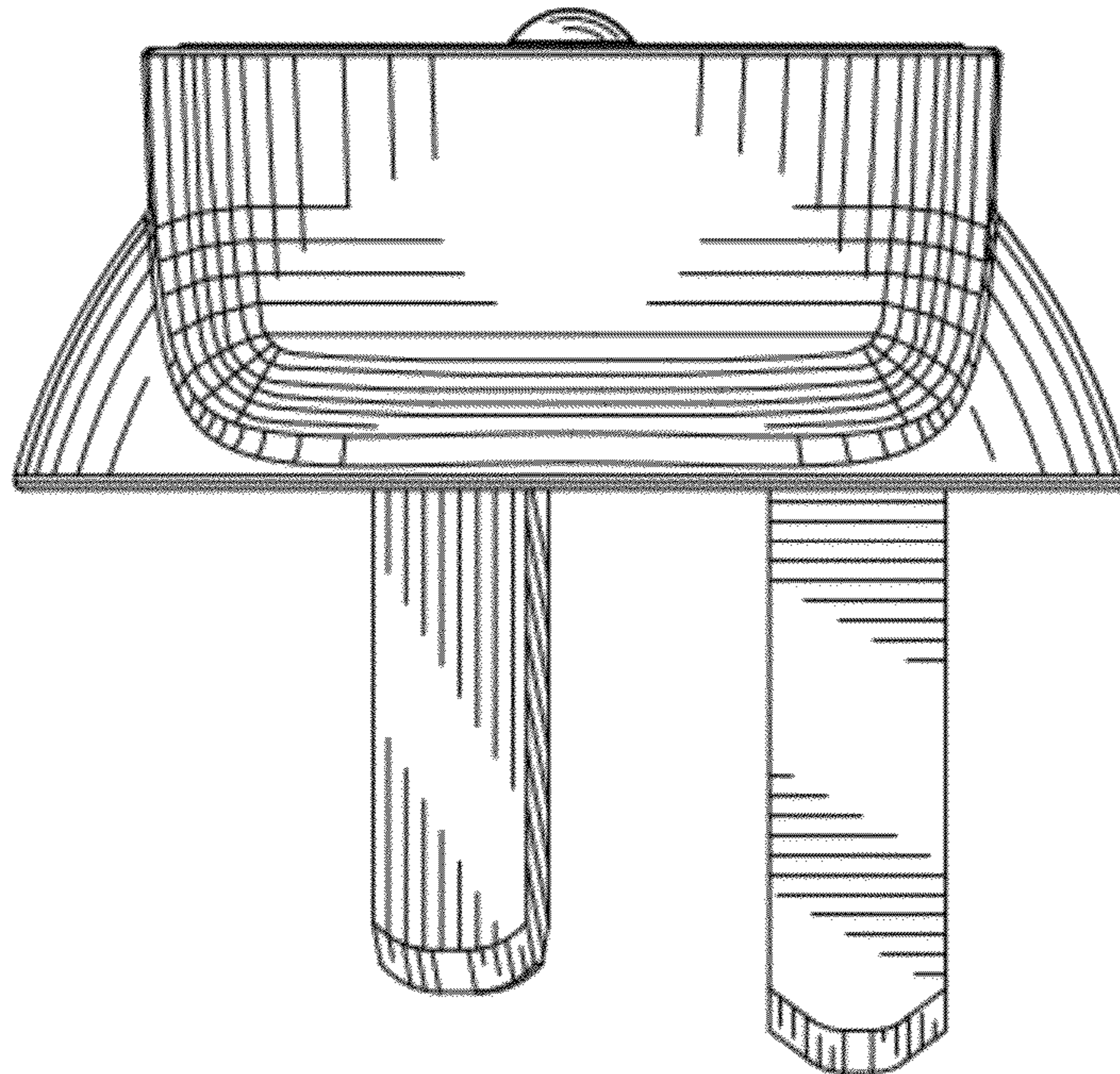


FIG. 6

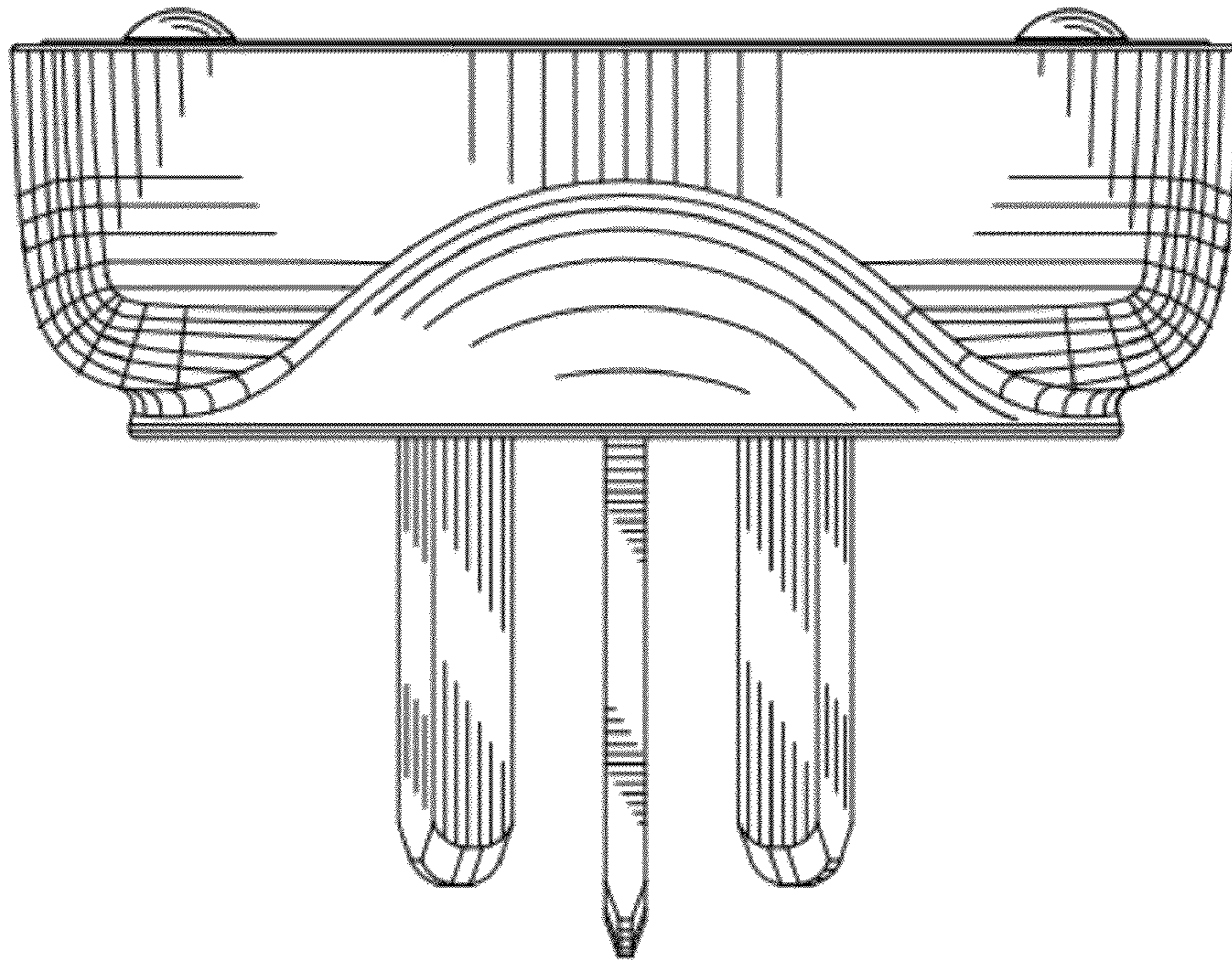


FIG. 7

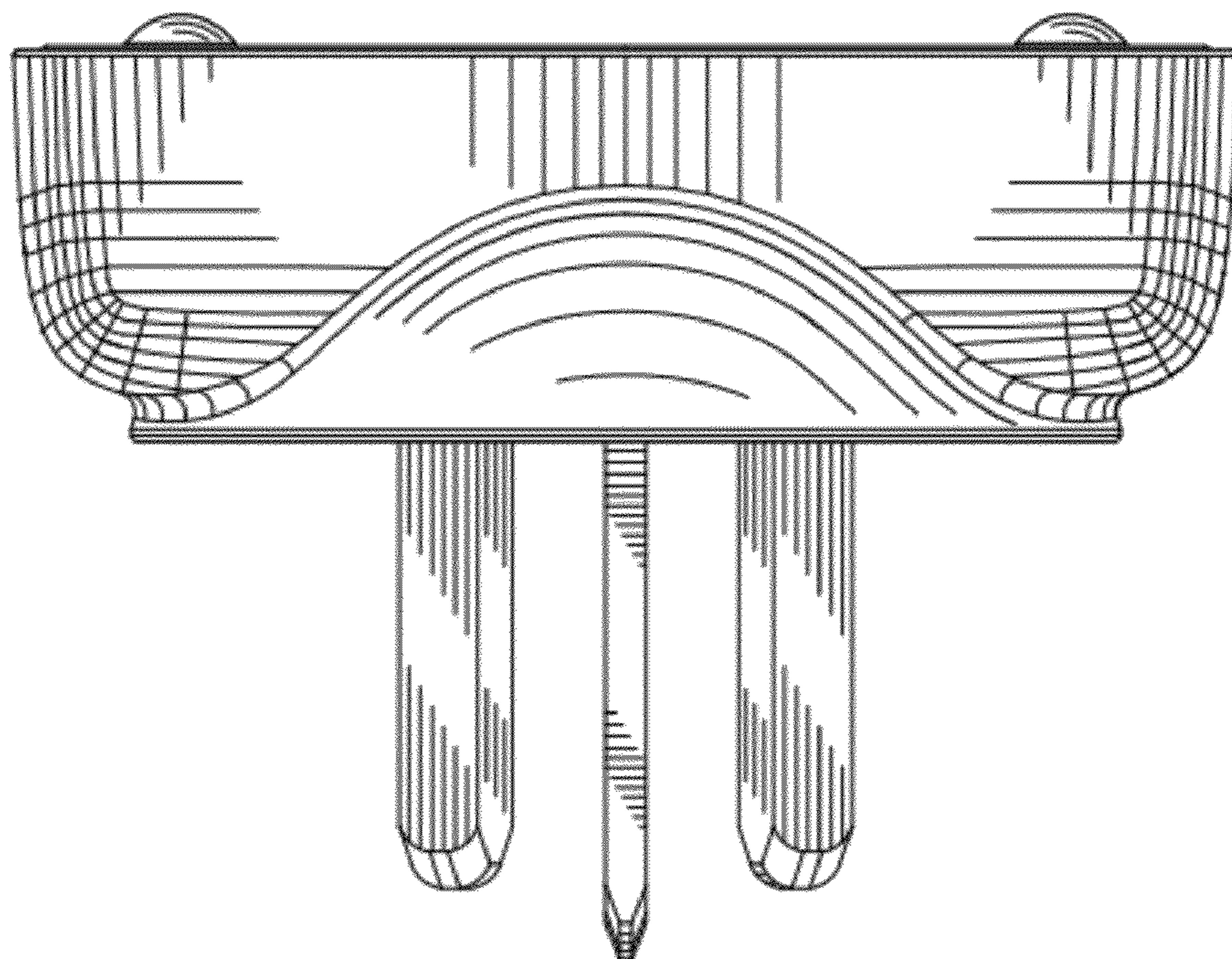


FIG. 8