



US00D657312S

(12) **United States Design Patent**
Aragon et al.

(10) **Patent No.:** **US D657,312 S**

(45) **Date of Patent:** **** Apr. 10, 2012**

(54) **ENERGY ATTENUATING LINK**

(56)

References Cited

(75) Inventors: **Loren K. Aragon**, Maricopa, AZ (US);
Matthew J. Dixon, Mesa, AZ (US); **D. Brent Noel**, Queen Creek, AZ (US);
Joshua Platt, Concord, CA (US)

U.S. PATENT DOCUMENTS

3,968,863	A	7/1976	Reilly	
D241,420	S *	9/1976	Voumard	D10/128
4,223,763	A *	9/1980	Duclos et al.	188/374
4,440,441	A	4/1984	Marrujo	
5,125,598	A	6/1992	Fox	
6,378,939	B1	4/2002	Knoll	
6,394,393	B1	5/2002	Mort	
7,445,181	B2	11/2008	Knoll	
D588,285	S *	3/2009	Muska	D25/199
7,938,485	B1	5/2011	Perciballi	

(73) Assignee: **Armorworks Enterprises, LLC**,
Chandler, AZ (US)

* cited by examiner

(**) Term: **14 Years**

Primary Examiner — Derrick Holland

(21) Appl. No.: **29/386,211**

(74) *Attorney, Agent, or Firm* — James L. Farmer

(22) Filed: **Feb. 25, 2011**

(57)

CLAIM

We claim the ornamental design for an energy attenuating link, as shown.

(51) **LOC (9) Cl.** **13-01**

(52) **U.S. Cl.** **D13/118**

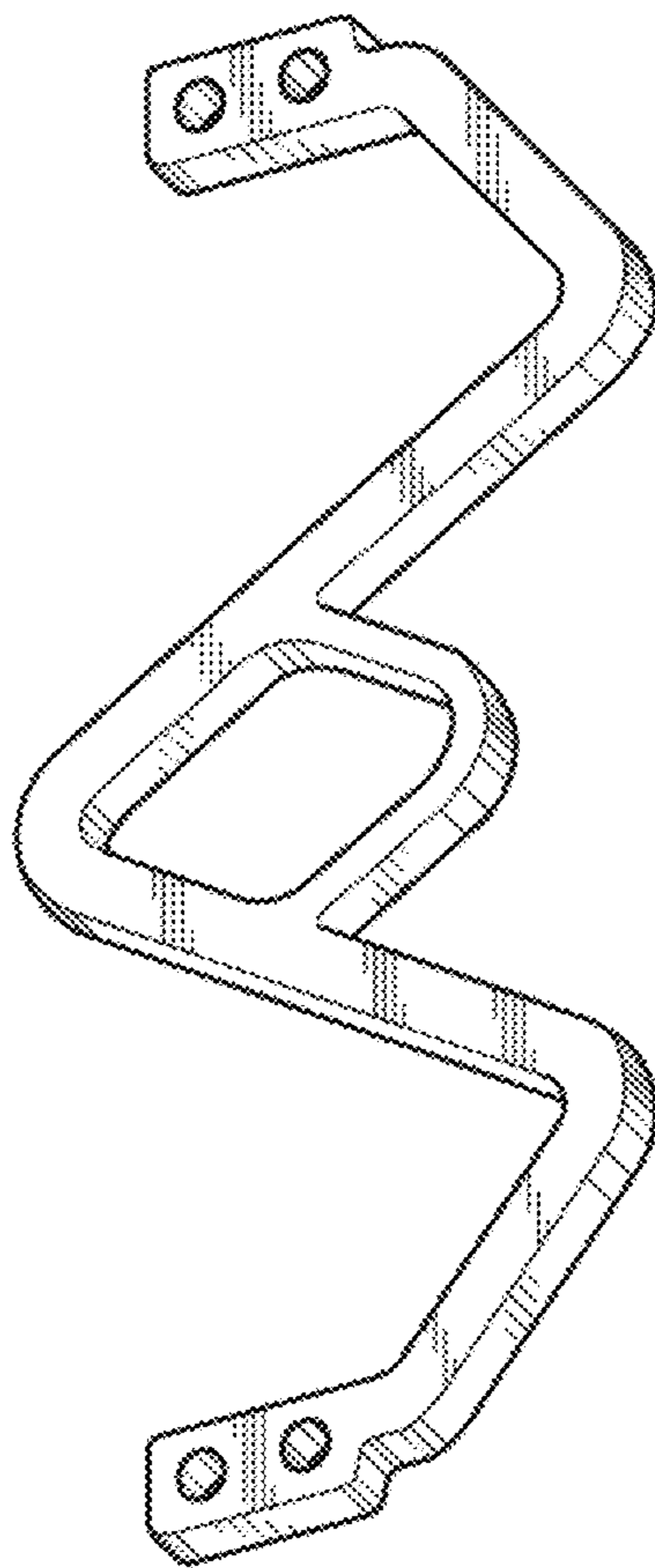
DESCRIPTION

(58) **Field of Classification Search** D13/101,
D13/117, 118, 120, 123, 183, 199; D8/349,
D8/499; D10/128; D15/199; D25/199;
188/371, 372, 373, 374; 244/122 R; 297/216.1,
297/216.16, 216.17, 331, 334, 440.15

FIG. 1 is a perspective view of the energy attenuating link;
FIG. 2 is a front view thereof;
FIG. 3 is a left side view thereof;
FIG. 4 is a right side view thereof;
FIG. 5 is a top view thereof; and,
FIG. 6 is a bottom view thereof.

See application file for complete search history.

1 Claim, 2 Drawing Sheets



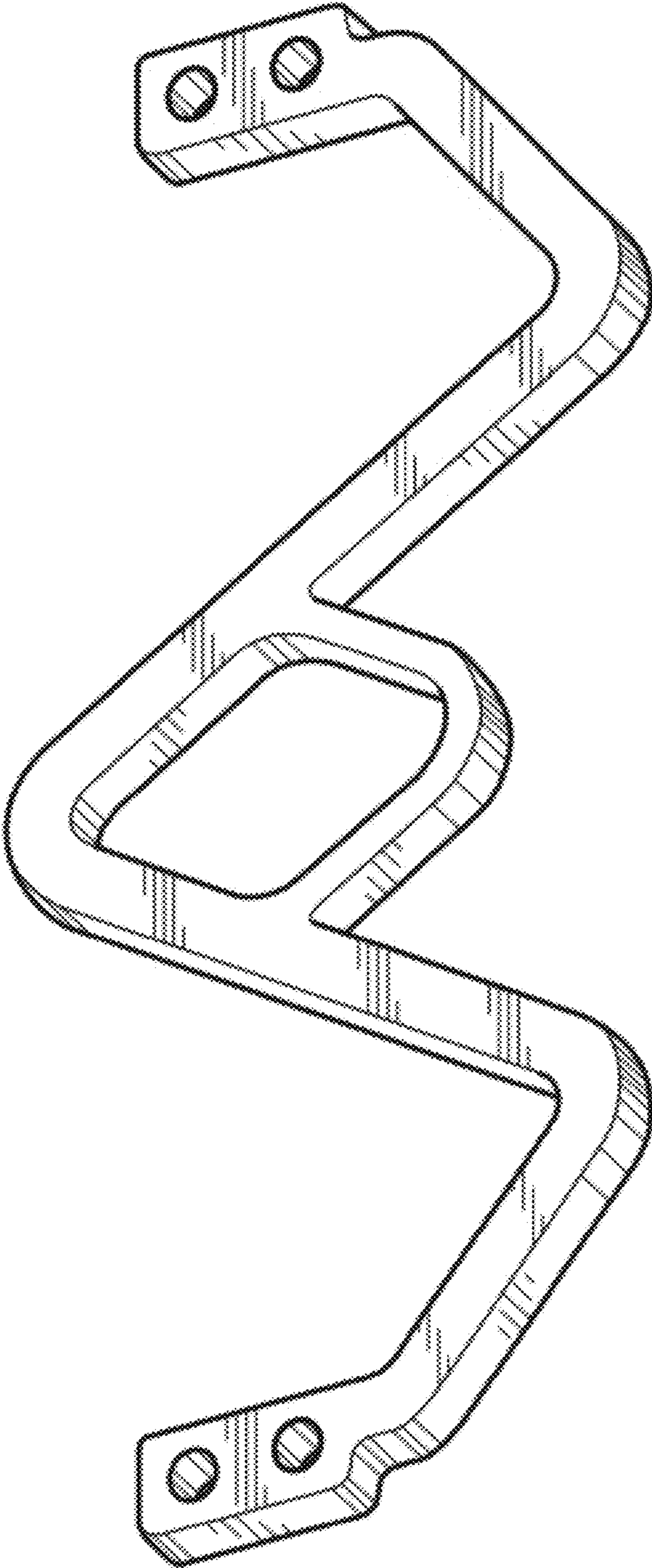


Fig. 1



Fig. 3



Fig. 5

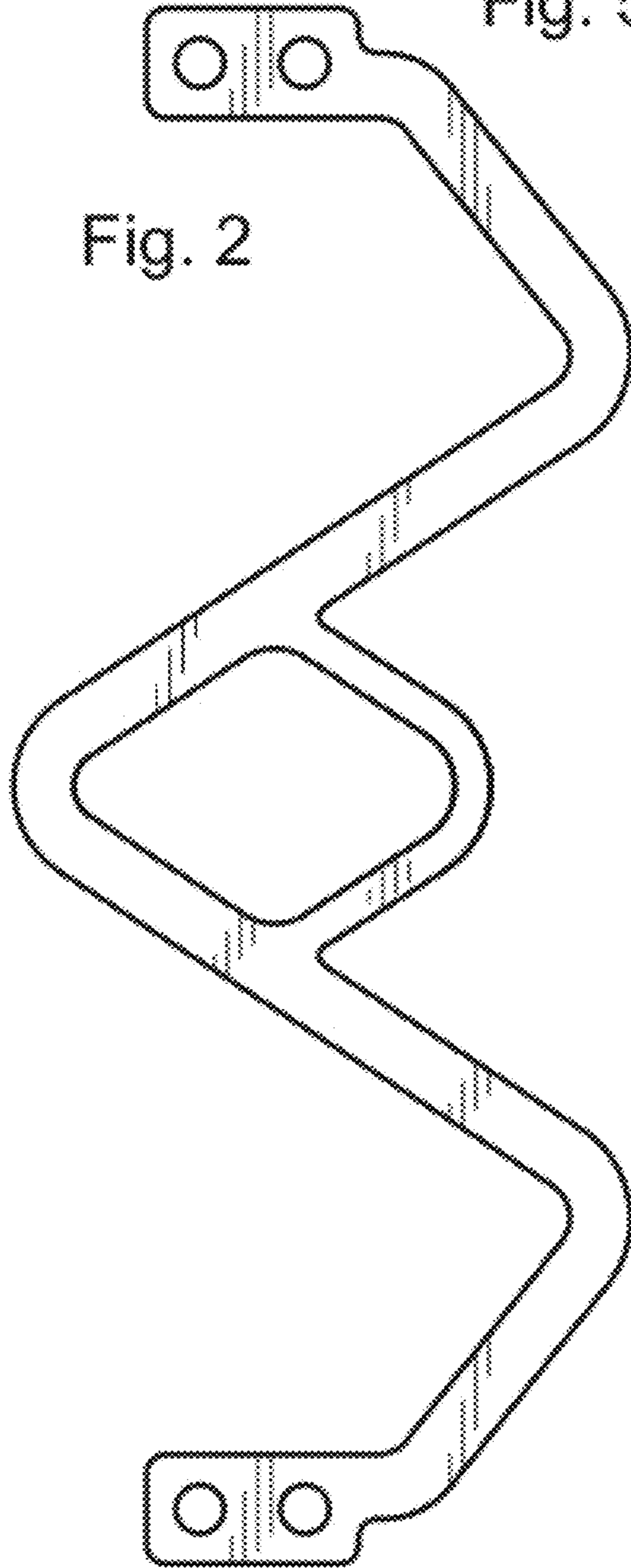


Fig. 2

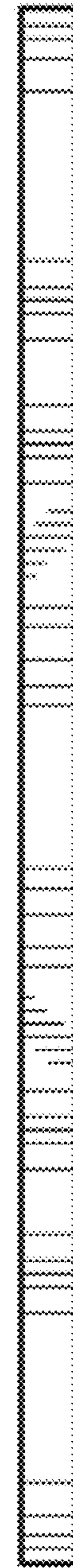


Fig. 4

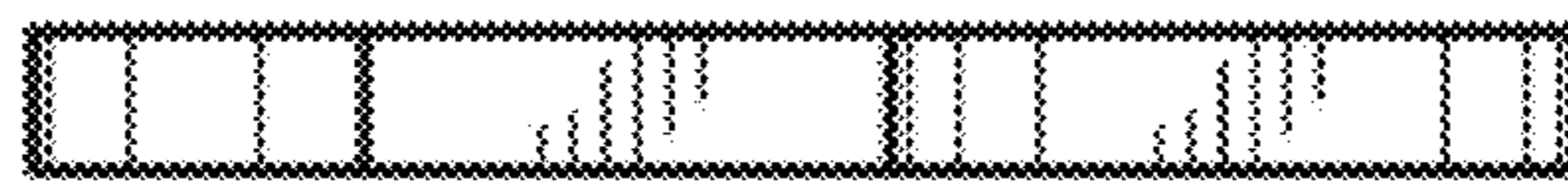


Fig. 6