



US00D657311S

(12) **United States Design Patent**
Chan et al.

(10) **Patent No.:** **US D657,311 S**

(45) **Date of Patent:** **** Apr. 10, 2012**

(54) **CORES IN JUXTAPOSITION**

(75) Inventors: **Chun-Kong Chan**, Taipei County (TW);
Chi Ching Chen, Taipei County (TW)

(73) Assignee: **Lien Chang Electronics Enterprise Co., Ltd.**, Taipei County (TW)

(**) Term: **14 Years**

(21) Appl. No.: **29/366,650**

(22) Filed: **Jul. 28, 2010**

(51) **LOC (9) Cl.** **13-02**

(52) **U.S. Cl.** **D13/118**

(58) **Field of Classification Search** D13/118,
D13/101, 110, 120, 122, 183, 199; 219/116,
219/624; 323/247, 250, 253; 334/59, 63,
334/70, 76; 336/83, 136, 182, 185, 208,
336/210, 212, 214, 218, 230, 232
See application file for complete search history.

(56) **References Cited**

U.S. PATENT DOCUMENTS

D204,382 S * 4/1966 Sweeney et al. D13/183
4,424,504 A * 1/1984 Mitsui et al. 336/83
D280,810 S * 10/1985 Mitsui D13/118

D330,541 S * 10/1992 Burrow et al. D13/183
5,175,525 A * 12/1992 Smith 336/83
D384,333 S * 9/1997 Suzuki D13/183
6,696,913 B2 * 2/2004 Meuche et al. 336/208
D537,778 S * 3/2007 Miyazaki D13/118
D539,220 S * 3/2007 Iwakura D13/118

* cited by examiner

Primary Examiner — Derrick Holland

(74) *Attorney, Agent, or Firm* — Rosenberg, Klein & Lee

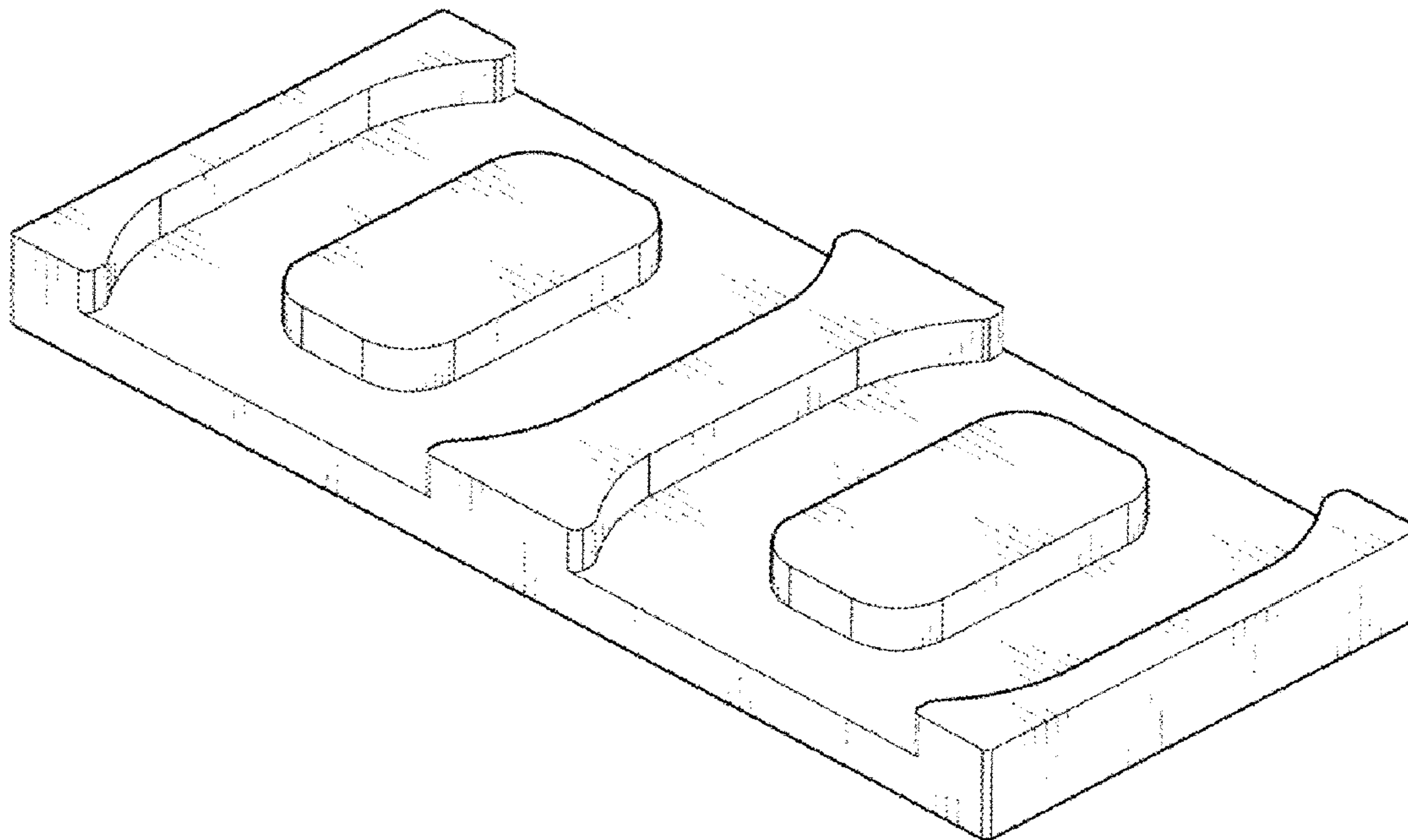
(57) **CLAIM**

The ornamental design for a “cores in juxtaposition,” as shown and described.

DESCRIPTION

FIG. 1 is a perspective view of a “cores in juxtaposition” showing our new design;
FIG. 2 is a front view thereof;
FIG. 3 is a rear view thereof;
FIG. 4 is a left side view thereof;
FIG. 5 is a right side view thereof;
FIG. 6 is a top view thereof; and,
FIG. 7 is a bottom view thereof.

1 Claim, 4 Drawing Sheets



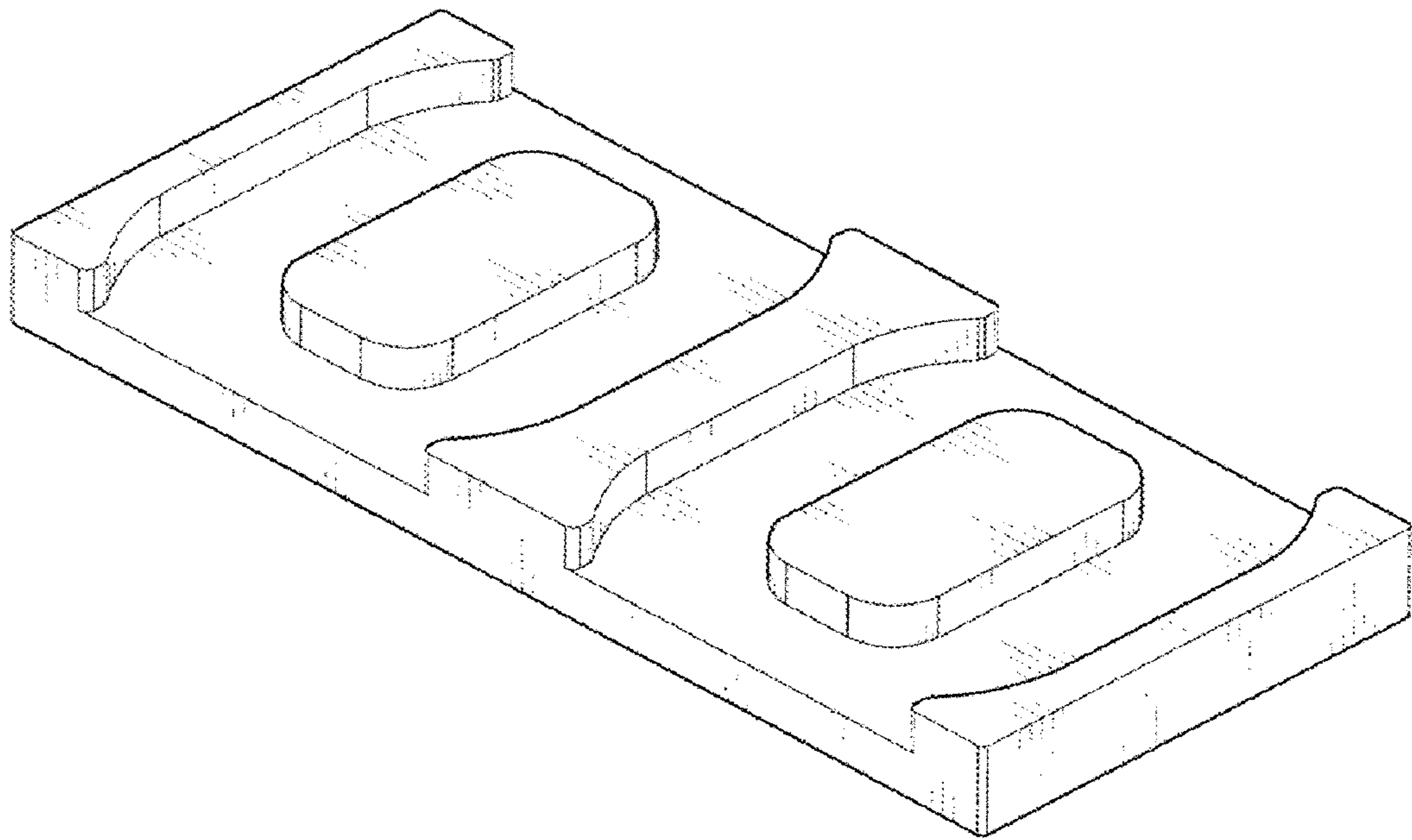


FIG. 1

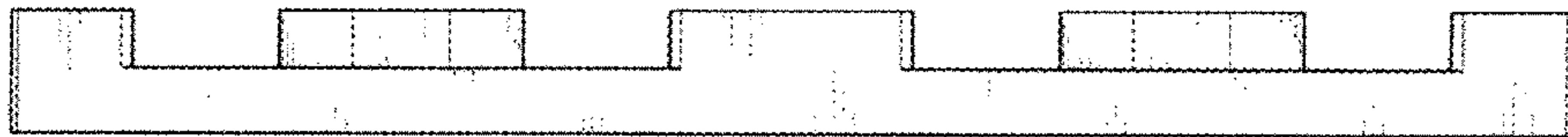


FIG. 2



FIG. 3

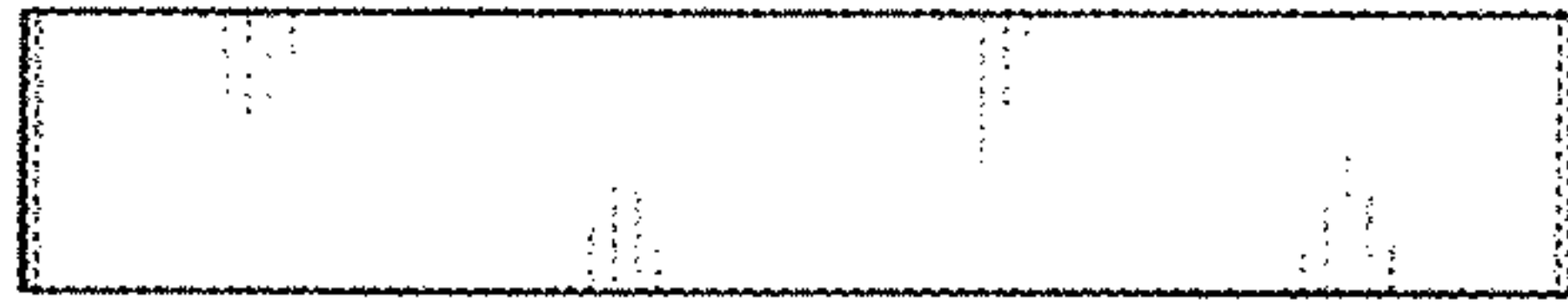


FIG. 4

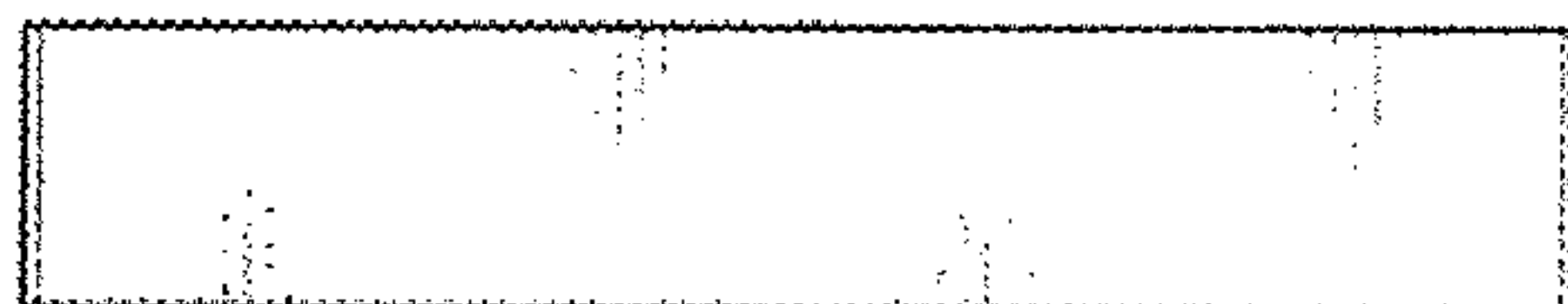


FIG. 5

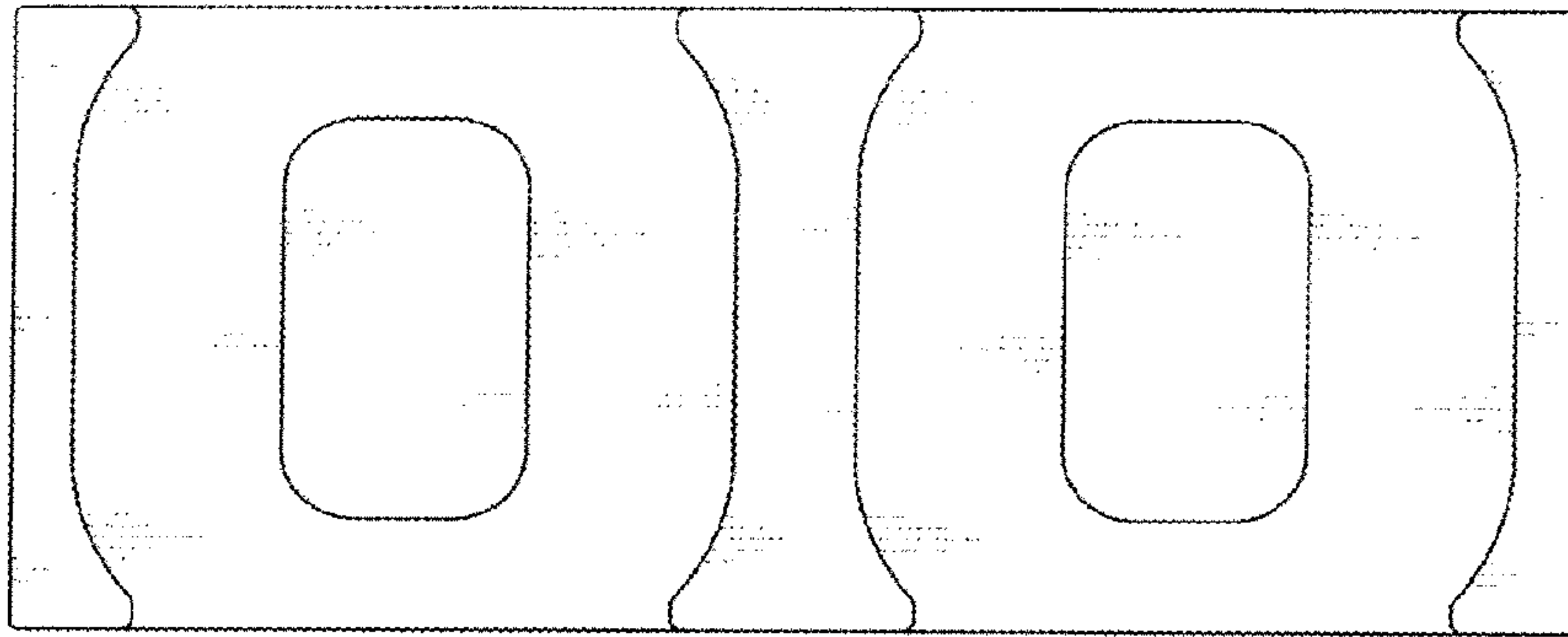


FIG. 6

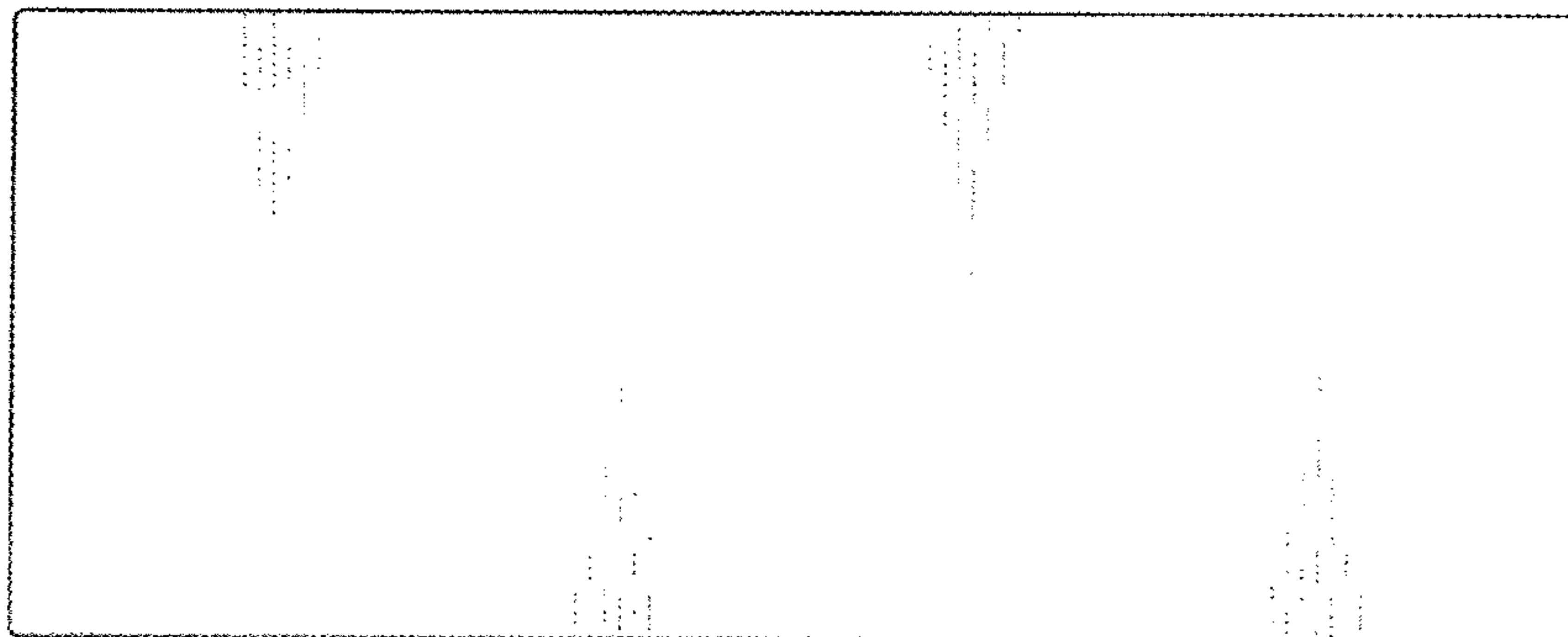


FIG. 7