



US00D657310S

(12) **United States Design Patent**
Fahrendorff et al.

(10) **Patent No.:** **US D657,310 S**

(45) **Date of Patent:** **** Apr. 10, 2012**

(54) **CHARGING ADAPTOR**

(75) Inventors: **Anders Fahrendorff**, Ottawa (CA);
Dustin Jonathan Smith, Waterloo (CA);
Todd Andrew Wood, Toronto (CA)

(73) Assignee: **Research In Motion Limited**, Waterloo,
Ontario (CA)

(**) Term: **14 Years**

(21) Appl. No.: **29/383,311**

(22) Filed: **Jan. 14, 2011**

(51) **LOC (9) Cl.** **13-02**

(52) **U.S. Cl.** **D13/110**

(58) **Field of Classification Search** D13/110,
D13/108, 123, 133, 137.1, 199; D14/433;
174/53, 54, 57, 59, 61; 307/150, 151; 320/111,
320/114; 363/132, 146; 439/105, 131, 166,
439/170-173, 218, 518, 692, 956

See application file for complete search history.

(56) **References Cited**

U.S. PATENT DOCUMENTS

5,019,767 A * 5/1991 Shirai et al. 320/112
D375,483 S * 11/1996 Tashiro D13/110
5,613,863 A * 3/1997 Klaus et al. 439/131

5,973,948 A * 10/1999 Hahn et al. 363/146
6,109,977 A * 8/2000 Baxter et al. 439/693
D449,030 S * 10/2001 Baxter et al. D13/110
6,669,495 B2 * 12/2003 Philips et al. 439/170
D484,853 S * 1/2004 Alviar D13/110
D503,679 S * 4/2005 Andre et al. D13/110
D537,410 S * 2/2007 Yuen D13/110
D568,243 S * 5/2008 Jidaisho D13/110
D575,730 S * 8/2008 Hung D13/110

* cited by examiner

Primary Examiner — Derrick Holland

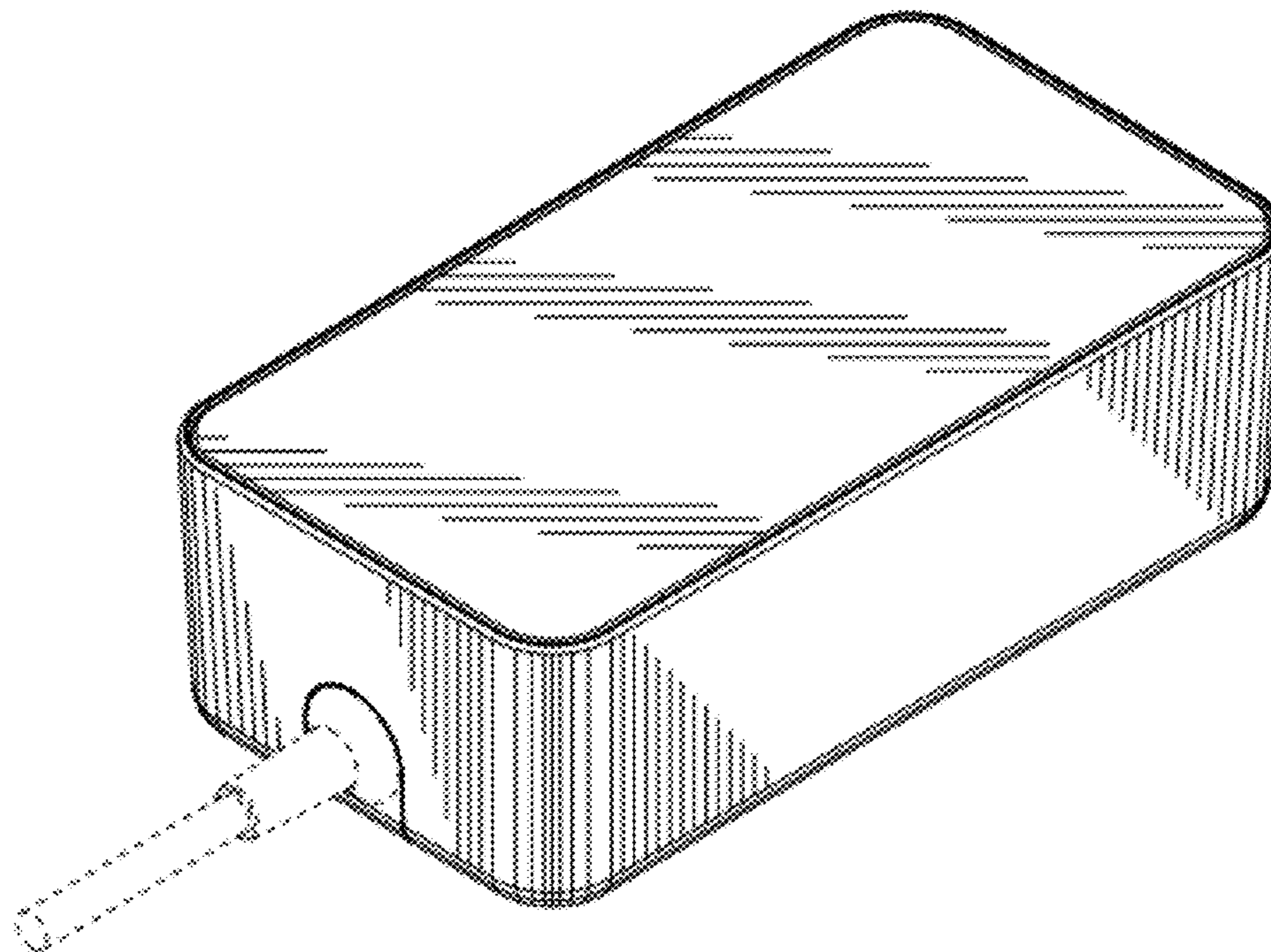
(57) **CLAIM**

We claim the ornamental design for a charging adaptor, as shown and described.

DESCRIPTION

FIG. 1 is a front perspective view of a charging adaptor;
FIG. 2 is a back perspective view of the charging adaptor;
FIG. 3 is a front elevational view thereof;
FIG. 4 is a back elevational view thereof;
FIG. 5 is a top plan view thereof;
FIG. 6 is a bottom plan view thereof;
FIG. 7 is a right elevational view thereof; and,
FIG. 8 is a left elevational view thereof.
The broken lines shown represent unclaimed subject matter
and form no part of the claimed design.

1 Claim, 5 Drawing Sheets



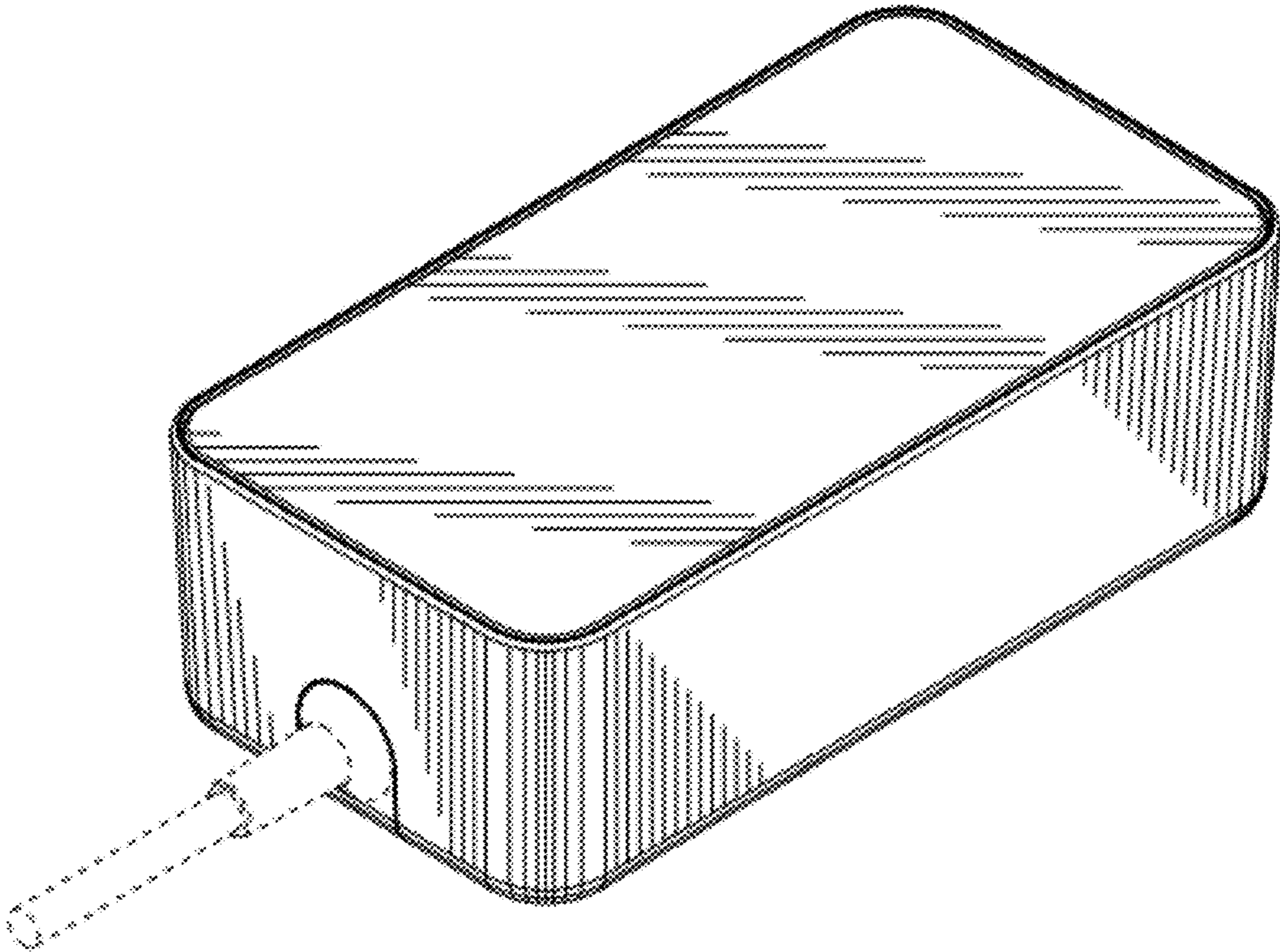


FIG.1

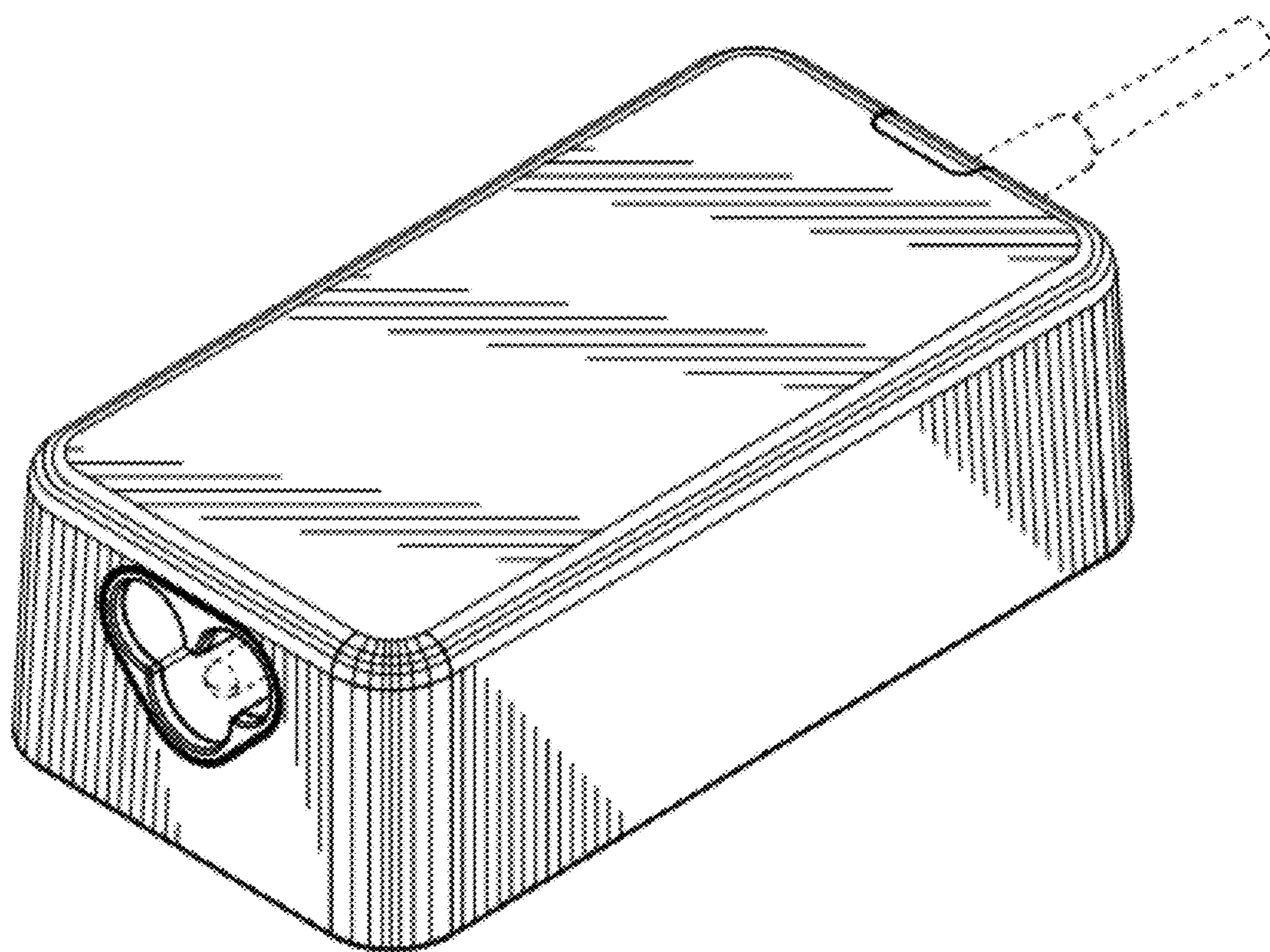


FIG.2

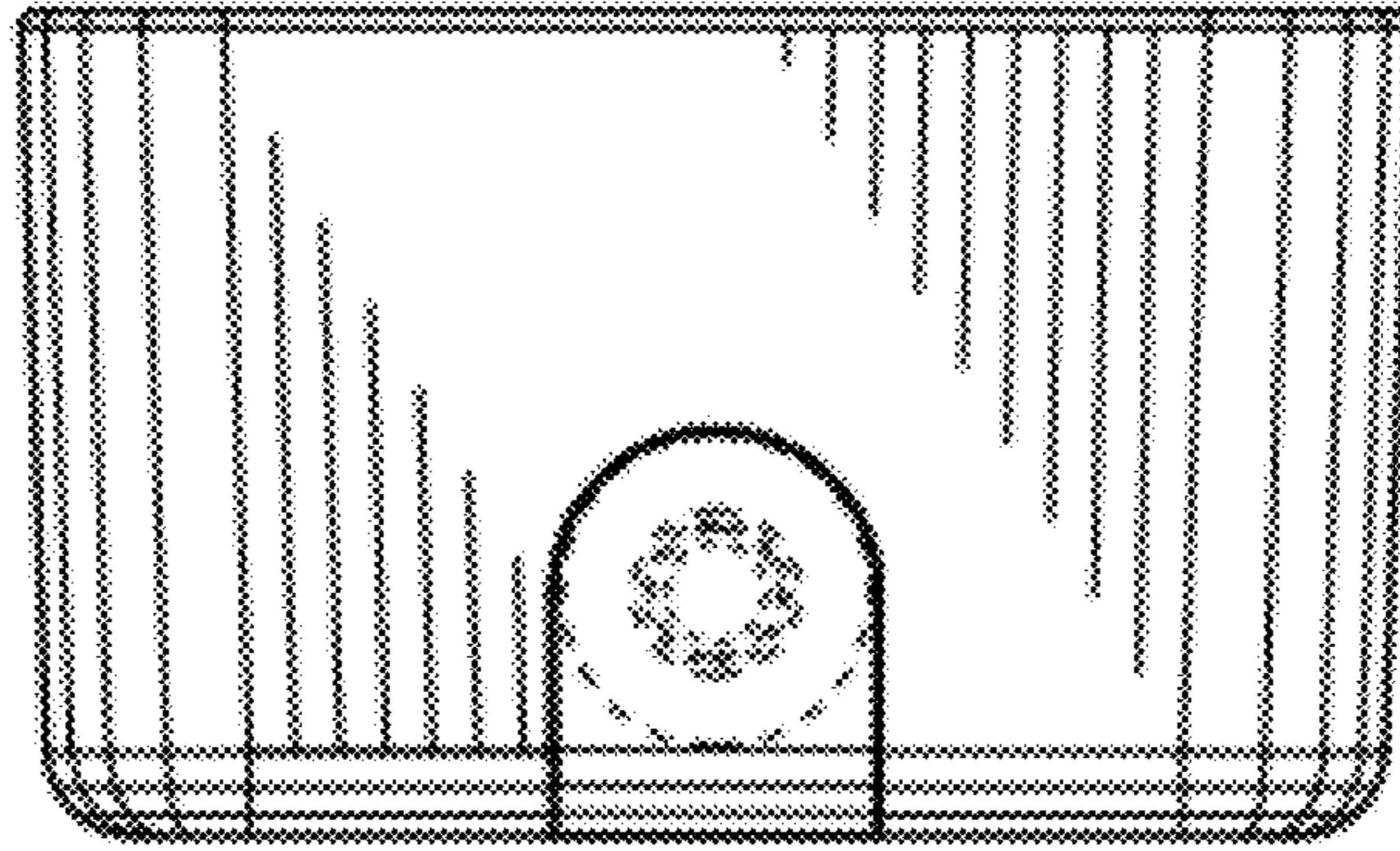


FIG. 3

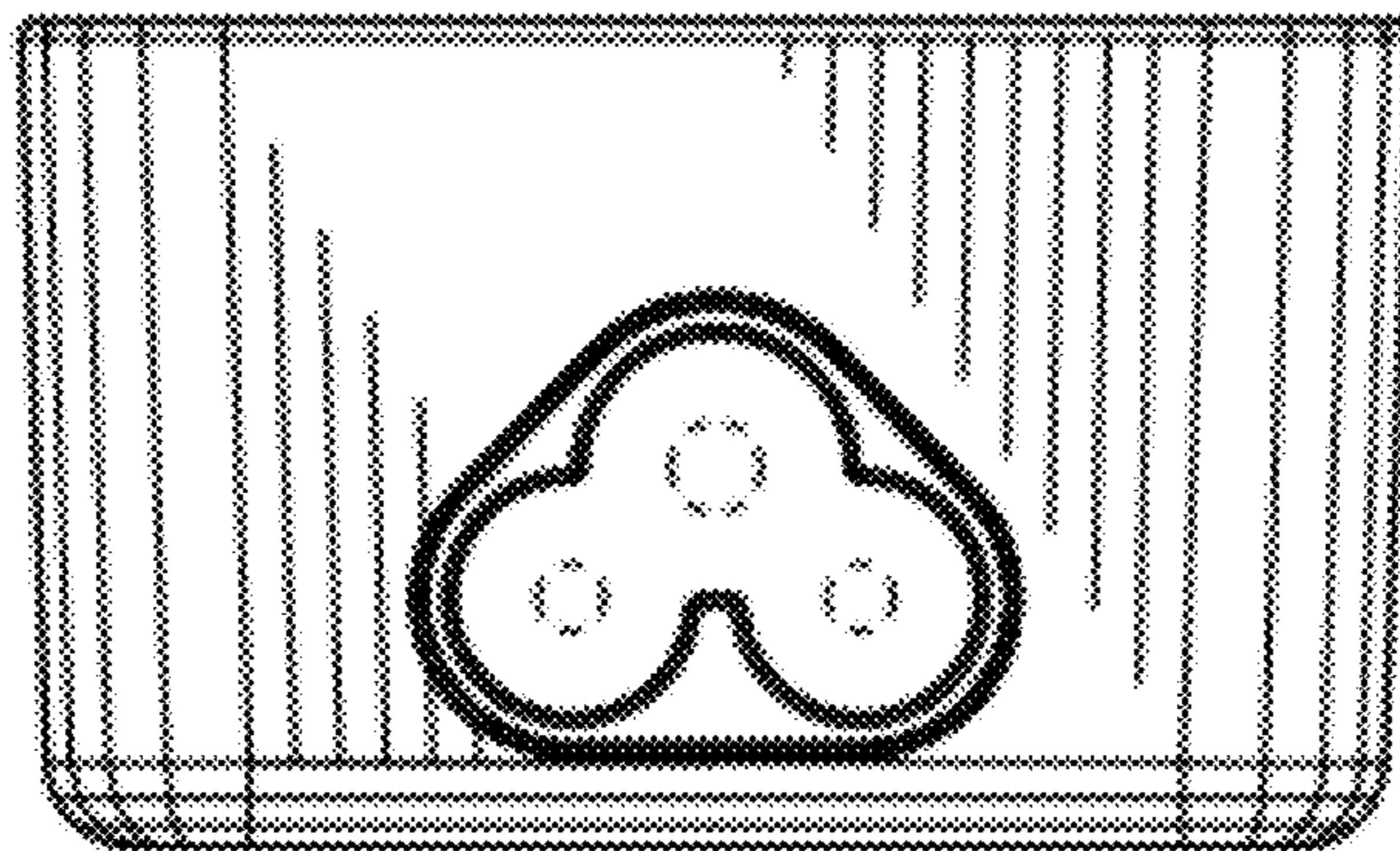


FIG. 4

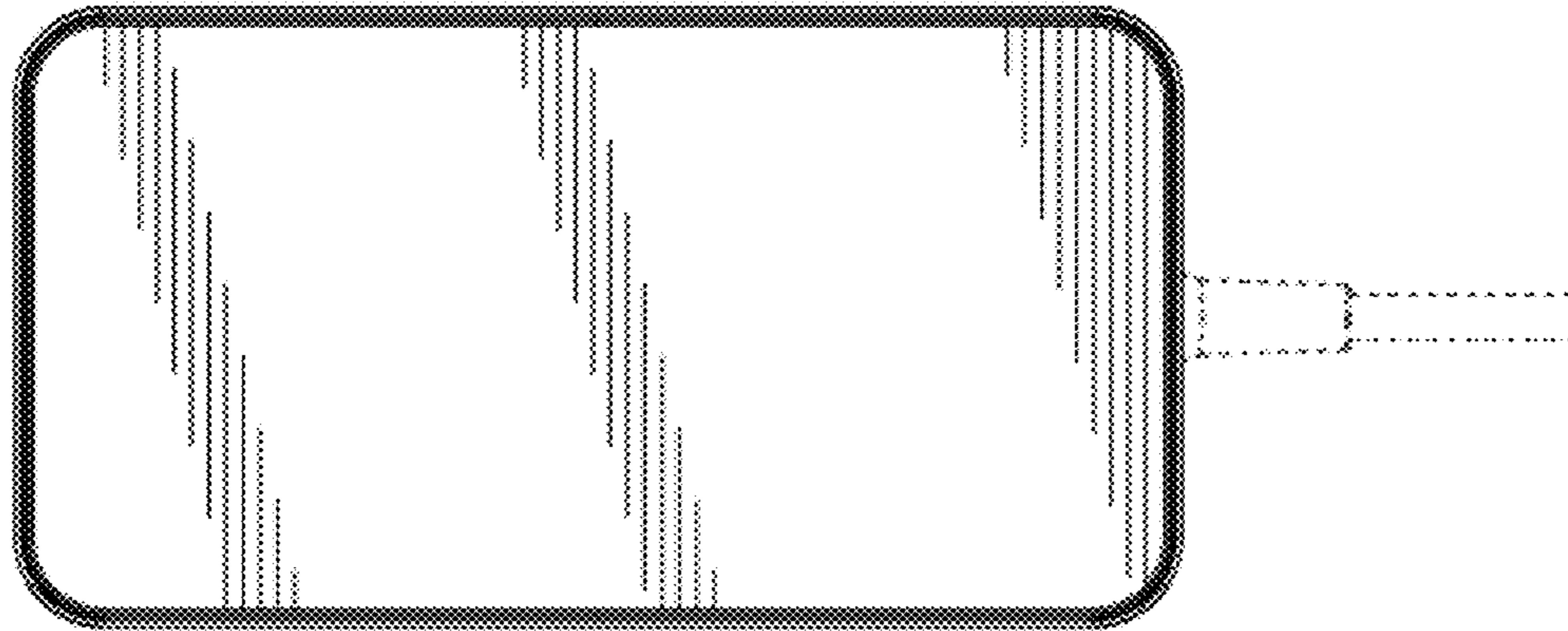


FIG. 5

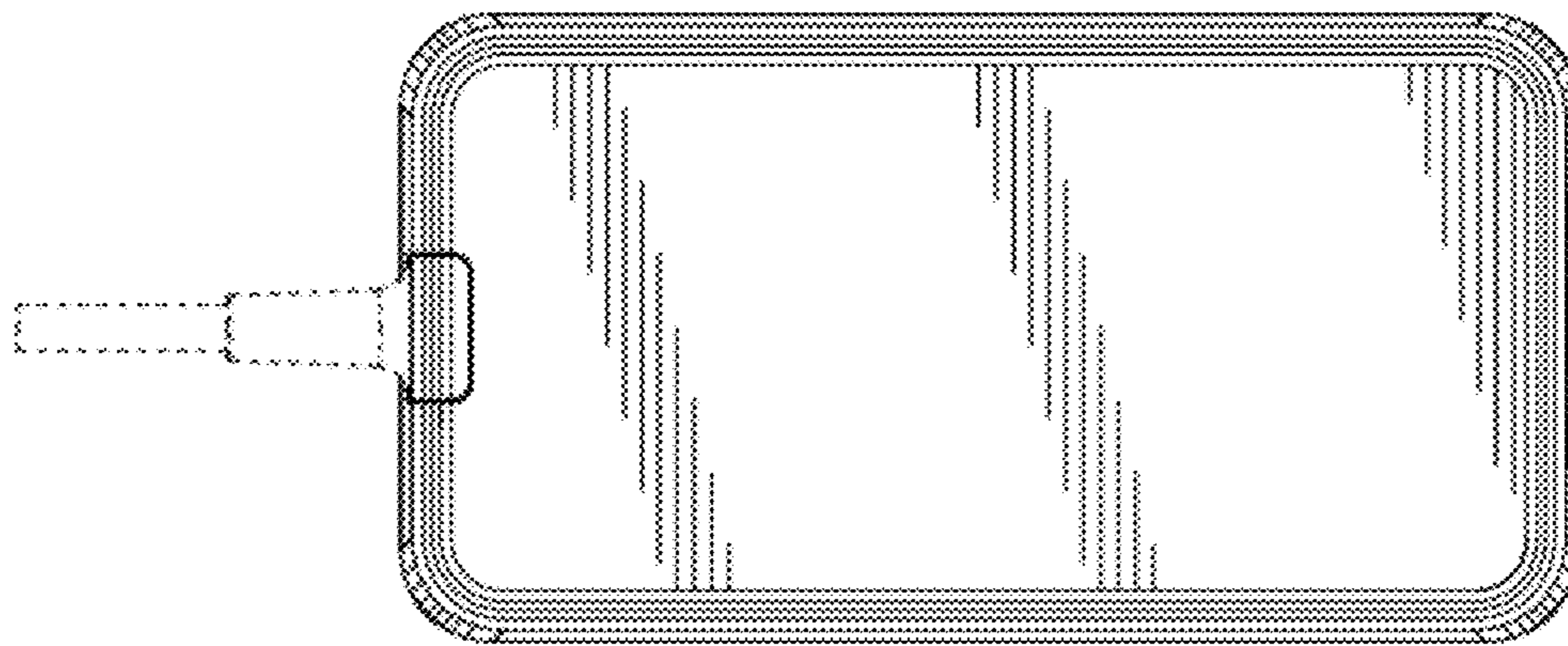


FIG. 6

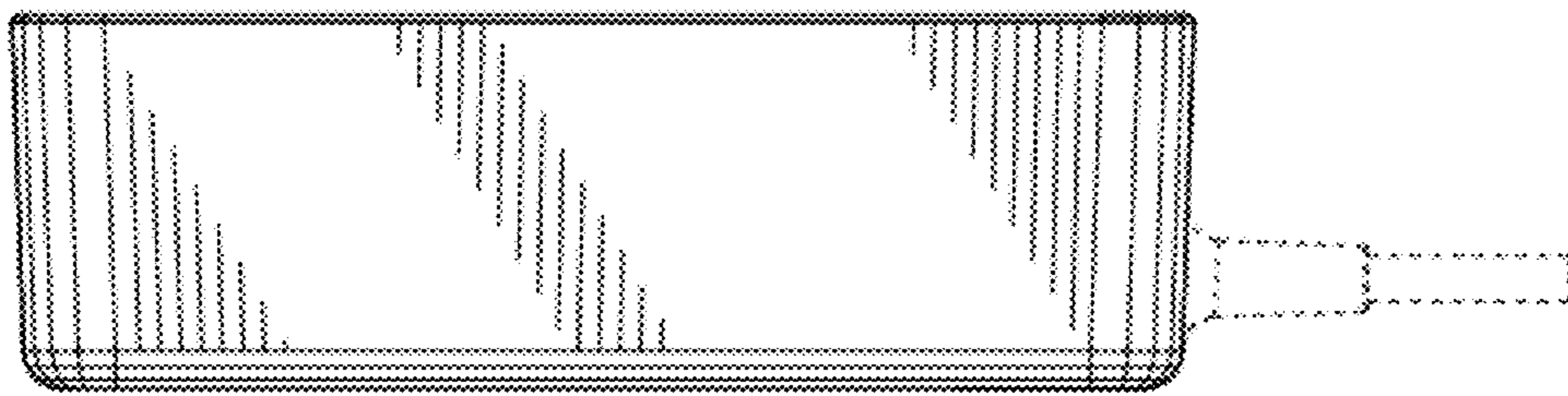


FIG. 7

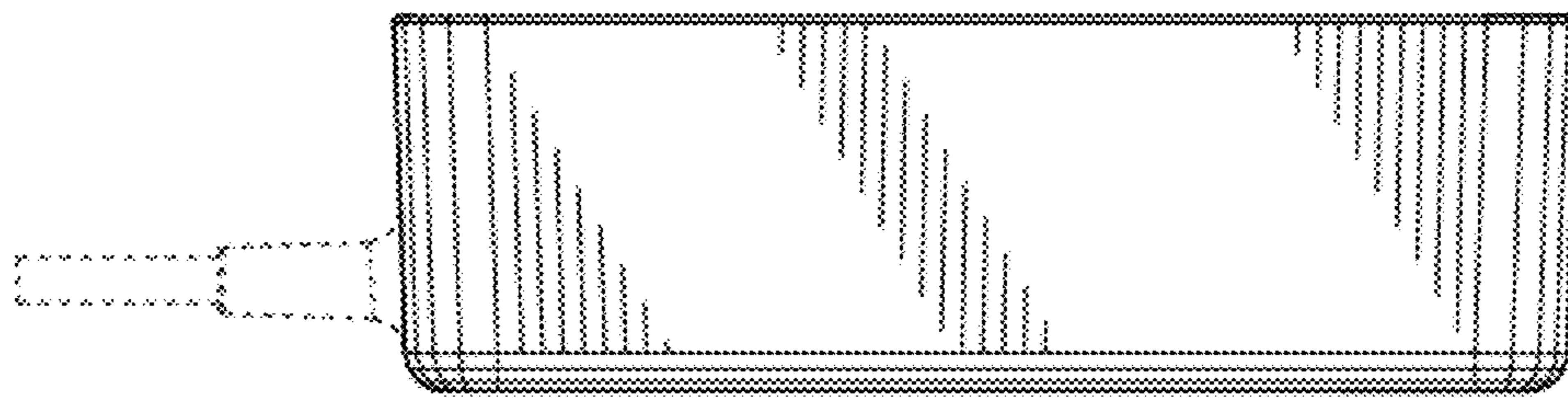


FIG. 8