



US00D657307S

(12) **United States Design Patent**
Zhao

(10) **Patent No.:** **US D657,307 S**

(45) **Date of Patent:** **** Apr. 10, 2012**

(54) **BATTERY PACK**

(75) Inventor: **Lijun Zhao**, Nanjing (CN)

(73) Assignee: **Chervon (HK) Limited**, Hong Kong (HK)

(**) Term: **14 Years**

(21) Appl. No.: **29/404,386**

(22) Filed: **Oct. 20, 2011**

(30) **Foreign Application Priority Data**

May 19, 2011 (CN) 2011 3 0126218

(51) **LOC (9) Cl.** **13-02**

(52) **U.S. Cl.** **D13/103**

(58) **Field of Classification Search** D13/102–106,
D13/110, 118–119, 184; 429/96–100, 163,
429/176

See application file for complete search history.

(56) **References Cited**

U.S. PATENT DOCUMENTS

D481,672 S *	11/2003	Niwa et al.	D13/103
D523,807 S *	6/2006	Murayama et al.	D13/103
D545,759 S *	7/2007	Ino et al.	D13/103
D550,152 S *	9/2007	Okuda et al.	D13/103
D555,086 S *	11/2007	Zhang	D13/103
D562,227 S *	2/2008	Yamada et al.	D13/103

D568,239 S *	5/2008	Okada et al.	D13/103
D588,986 S *	3/2009	Zhang	D13/110
D610,537 S *	2/2010	Sweeney	D13/103
D622,661 S *	8/2010	Yamada et al.	D13/103
D633,036 S *	2/2011	Murray	D13/103
D639,730 S *	6/2011	Kawase	D13/103
D640,628 S *	6/2011	Lopano et al.	D13/103

* cited by examiner

Primary Examiner — Rosemary K Tarcza

(74) *Attorney, Agent, or Firm* — Greenberg Traurig LLP

(57) **CLAIM**

What is claimed is the ornamental design for a battery pack, as shown and described.

DESCRIPTION

FIG. 1 is a front elevational view of a battery pack showing our new design;

FIG. 2 is a rear elevational view of the battery pack shown in FIG. 1;

FIG. 3 is a left side elevational view of the battery pack shown in FIG. 1;

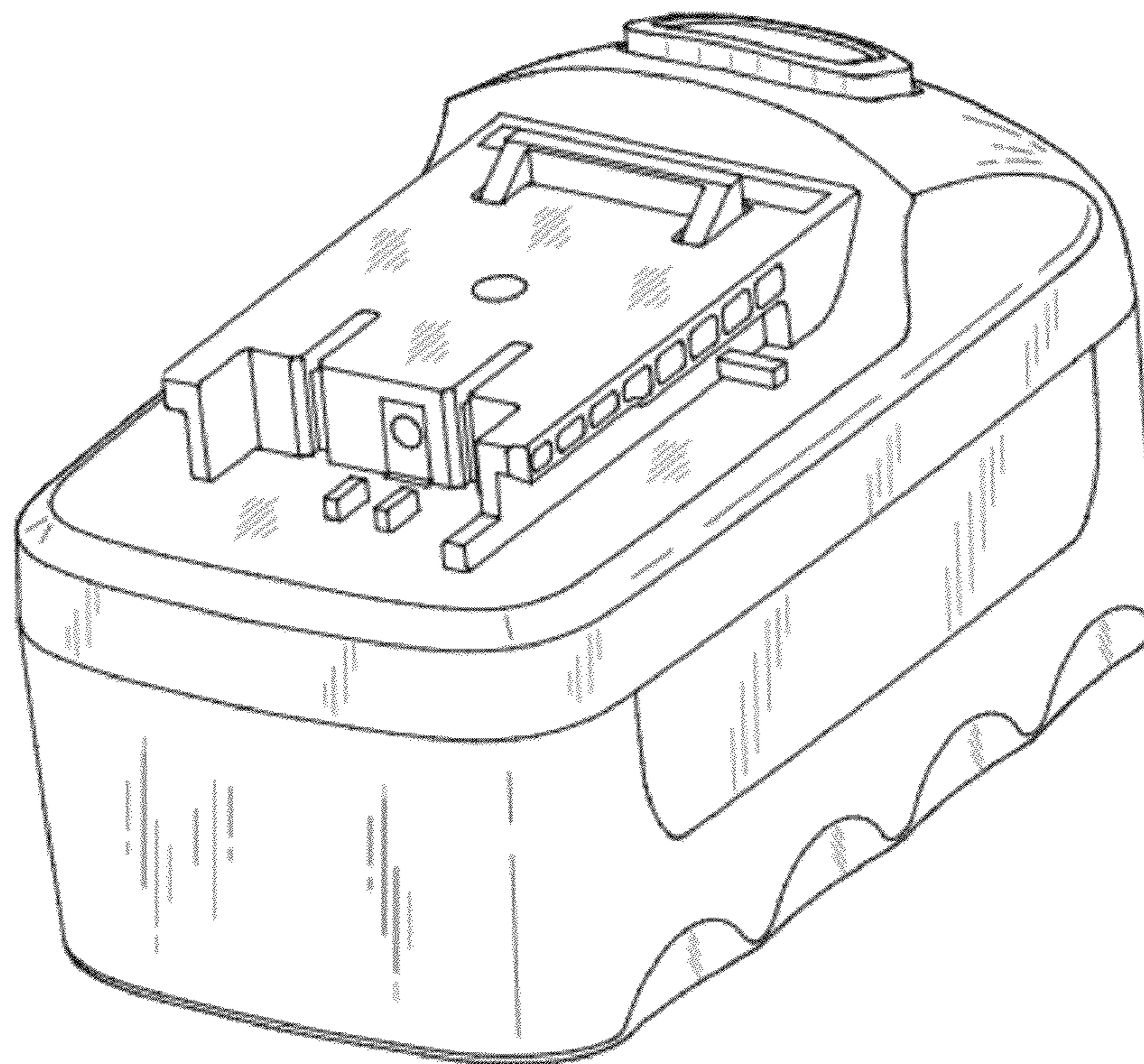
FIG. 4 is a right side elevational view of the battery pack shown in FIG. 1;

FIG. 5 is a top plan view of the battery pack shown in FIG. 1;

FIG. 6 is a bottom plan view of the battery pack shown in FIG. 1; and,

FIG. 7 is a perspective view of the battery pack shown in FIG. 1.

1 Claim, 6 Drawing Sheets



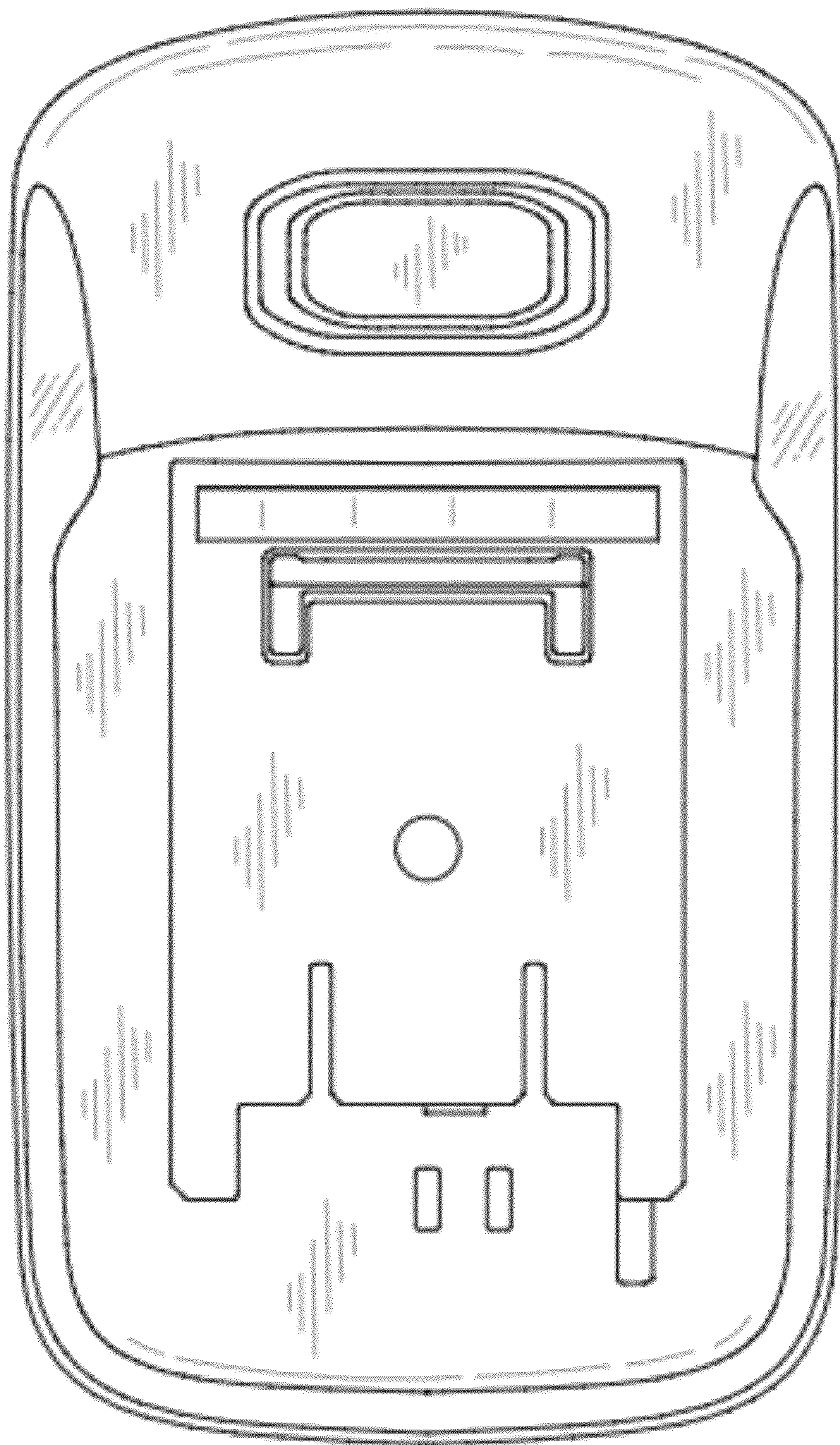


Fig. 1

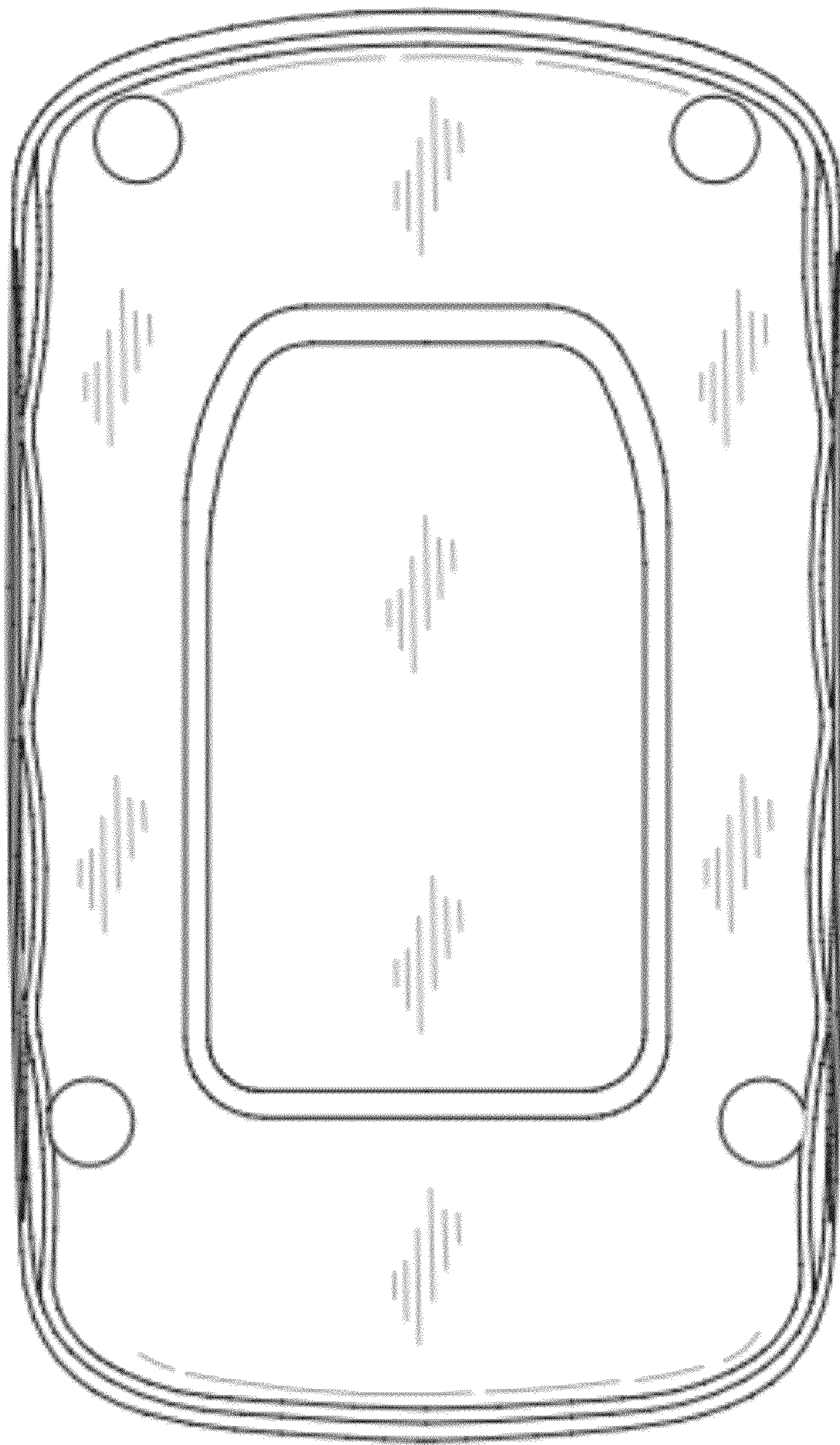


Fig. 2

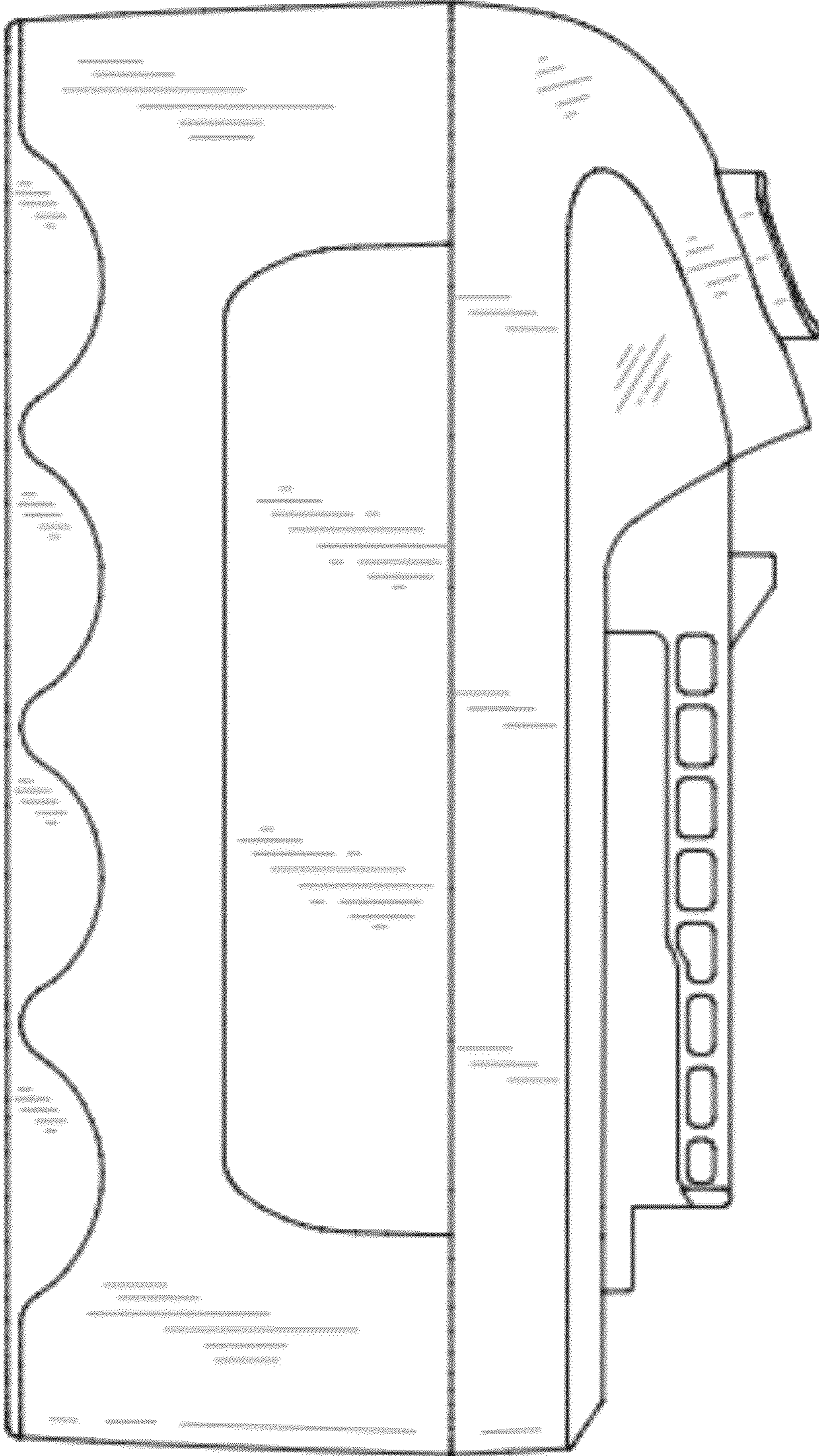


Fig. 3

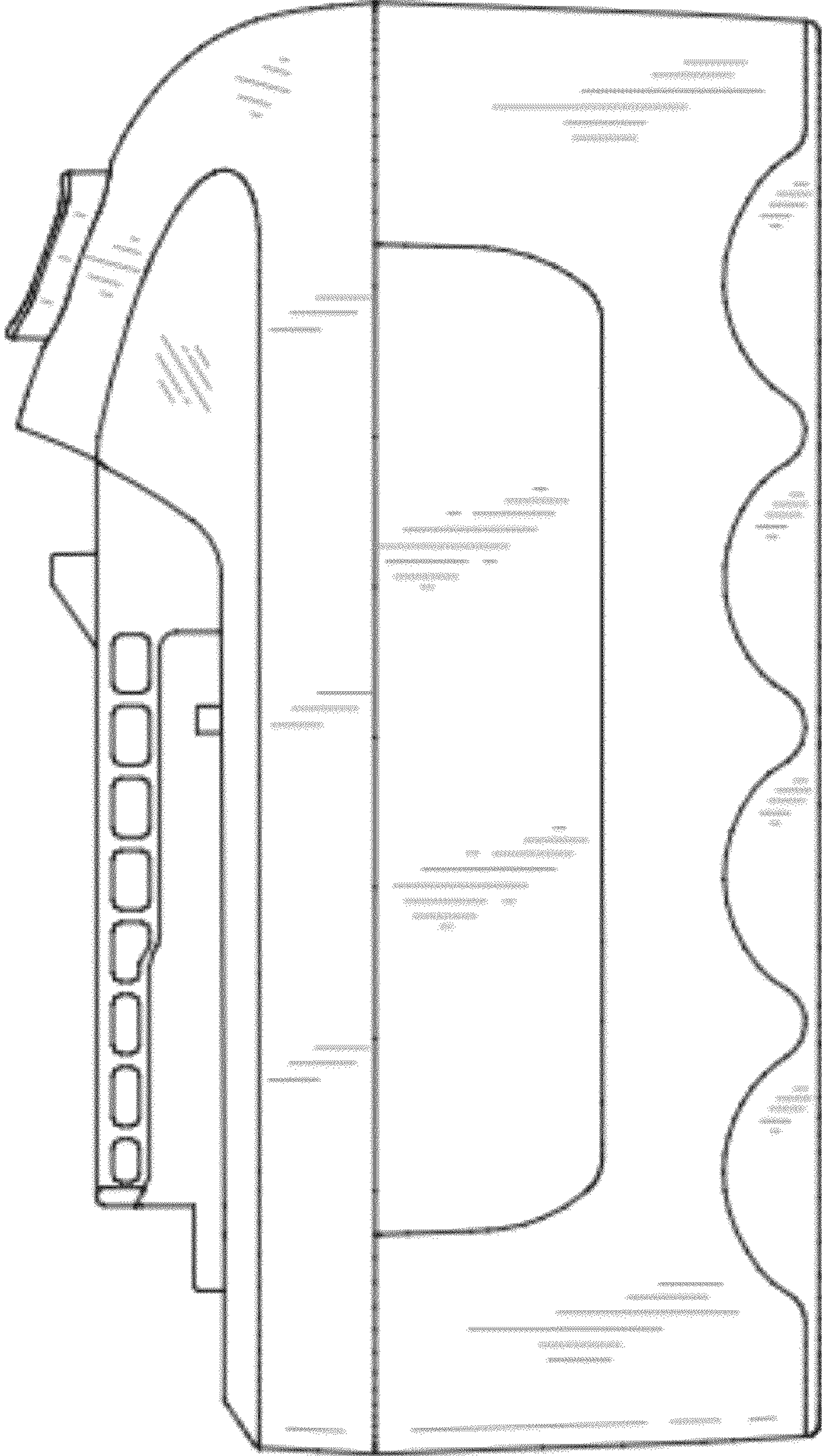


Fig. 4

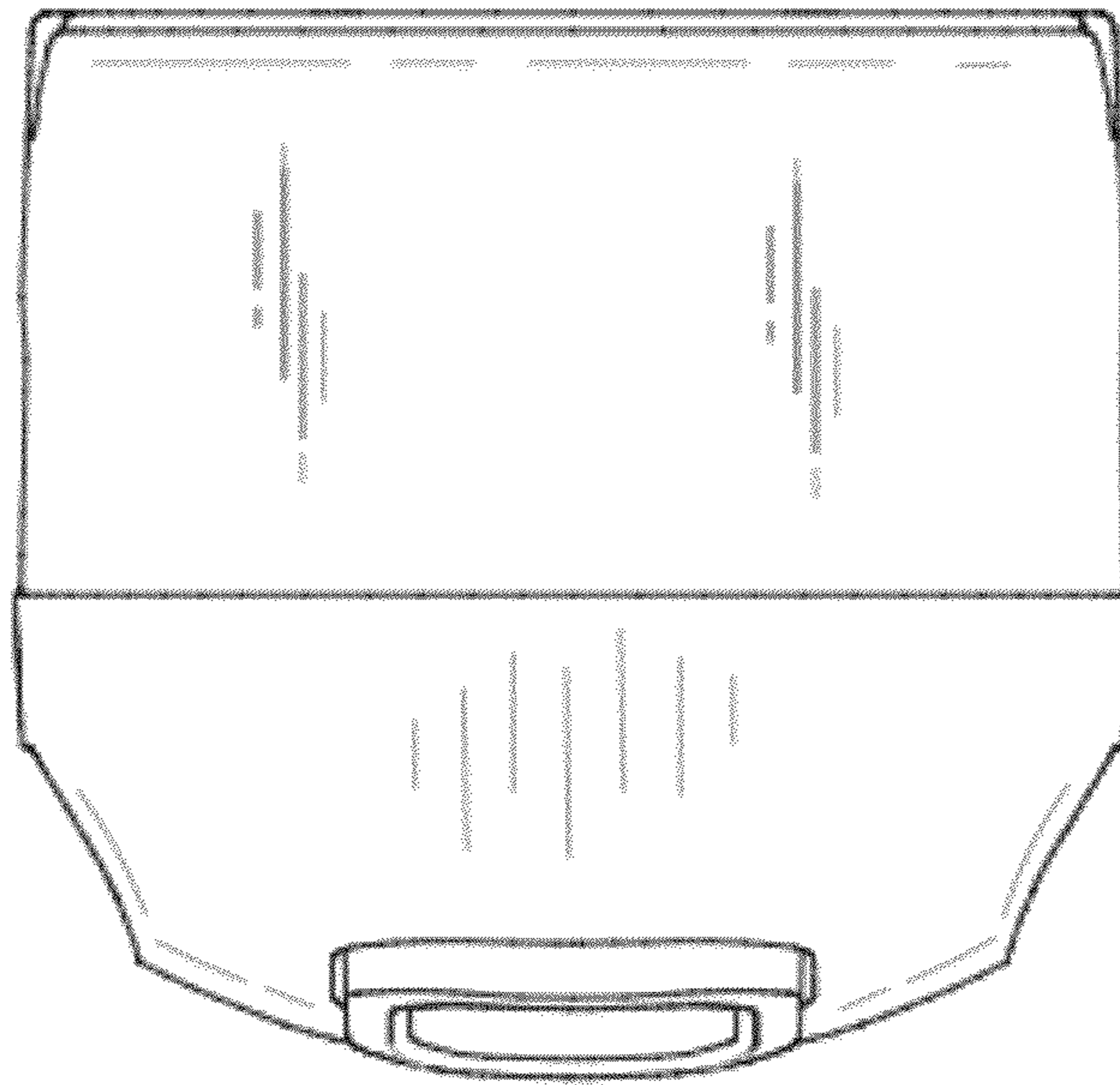


Fig. 5

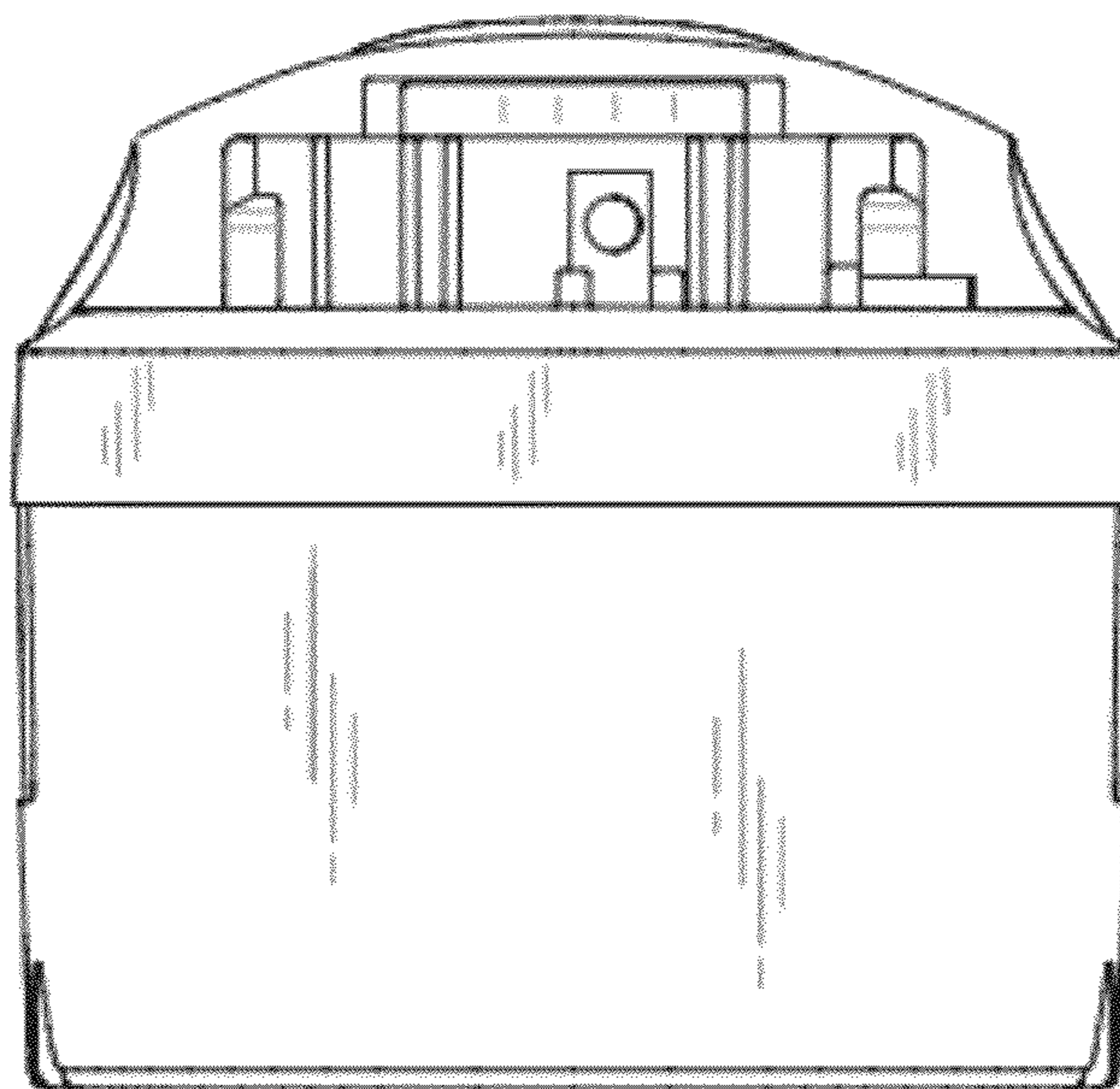


Fig. 6

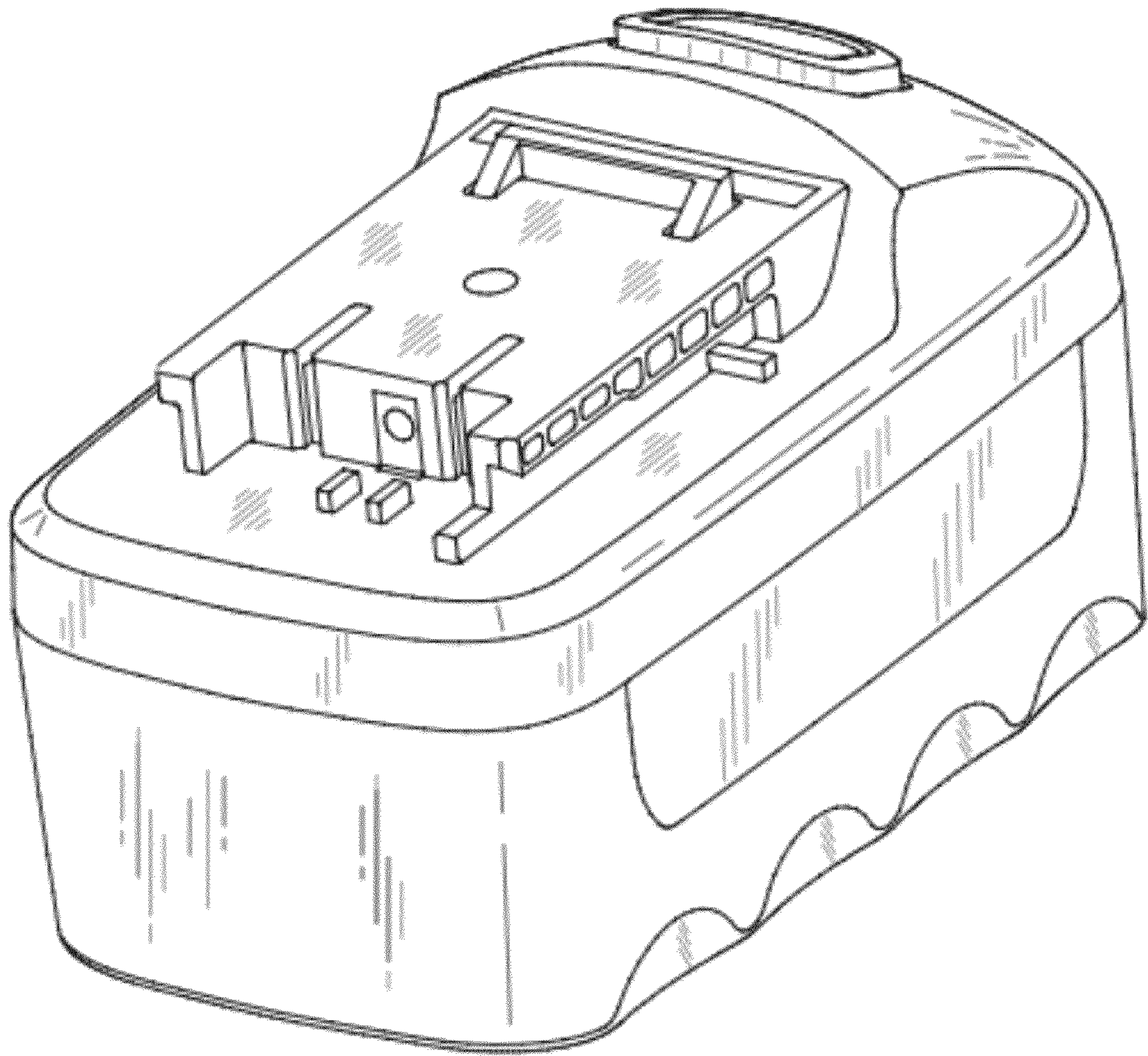


Fig. 7