



US00D657300S

(12) **United States Design Patent**
Wright

(10) **Patent No.:** **US D657,300 S**

(45) **Date of Patent:** **** Apr. 10, 2012**

(54) **BOAT BUMPER ADJUSTMENT TIE**

(76) Inventor: **Gregory Thomas Wright**, Kingston,
WA (US)

(**) Term: **14 Years**

(21) Appl. No.: **29/389,619**

(22) Filed: **Apr. 14, 2011**

(51) **LOC (9) Cl.** **12-06**

(52) **U.S. Cl.** **D12/317; D8/383**

(58) **Field of Classification Search** D12/317;
D8/354, 356, 382, 383; 24/115 R, 129 R,
24/130, 298; 114/218, 219, 230.2, 230.26,
114/230.29; 405/211, 212–215
See application file for complete search history.

(56) **References Cited**

U.S. PATENT DOCUMENTS

3,094,755	A *	6/1963	Casanave	24/129 R
3,636,594	A *	1/1972	Faivre	24/298
3,996,876	A *	12/1976	Sinclair	114/218
4,114,553	A *	9/1978	Zidek	114/230.29
4,414,712	A *	11/1983	Beggins	24/129 R
D288,772	S *	3/1987	Forrest	D8/356
4,914,792	A *	4/1990	Bradt	24/129 R
4,976,013	A *	12/1990	Wax	24/129 R
D344,691	S *	3/1994	Kepiro	D11/218
5,660,133	A *	8/1997	Munich	114/219
D393,586	S *	4/1998	Mowery	D8/356
5,762,016	A *	6/1998	Parsons	114/219

5,988,094	A *	11/1999	Obrinski	114/230.26
D422,200	S *	4/2000	Maruyama	D8/382
6,619,222	B1 *	9/2003	Clary	114/219
D573,453	S *	7/2008	Buckley	D8/382
D583,224	S *	12/2008	Holdsworth	D8/382
D603,250	S *	11/2009	Hsu	D8/382
7,934,888	B2 *	5/2011	Masters et al.	405/216

* cited by examiner

Primary Examiner — Cynthia M Chin

(74) *Attorney, Agent, or Firm* — Dean Craine

(57) **CLAIM**

The ornamental design for a boat bumper adjustment tie, as shown and described.

DESCRIPTION

FIG. 1 is a perspective view showing the top surface of the boat bumper adjustment tie.

FIG. 2 is a perspective view showing the bottom surface of the invention.

FIG. 3 is a perspective view showing the top surface with a tie weaving through.

FIG. 4 is a top plan view of the invention.

FIG. 5 is a right side elevational view of the invention.

FIG. 6 is a bottom plan view of the invention.

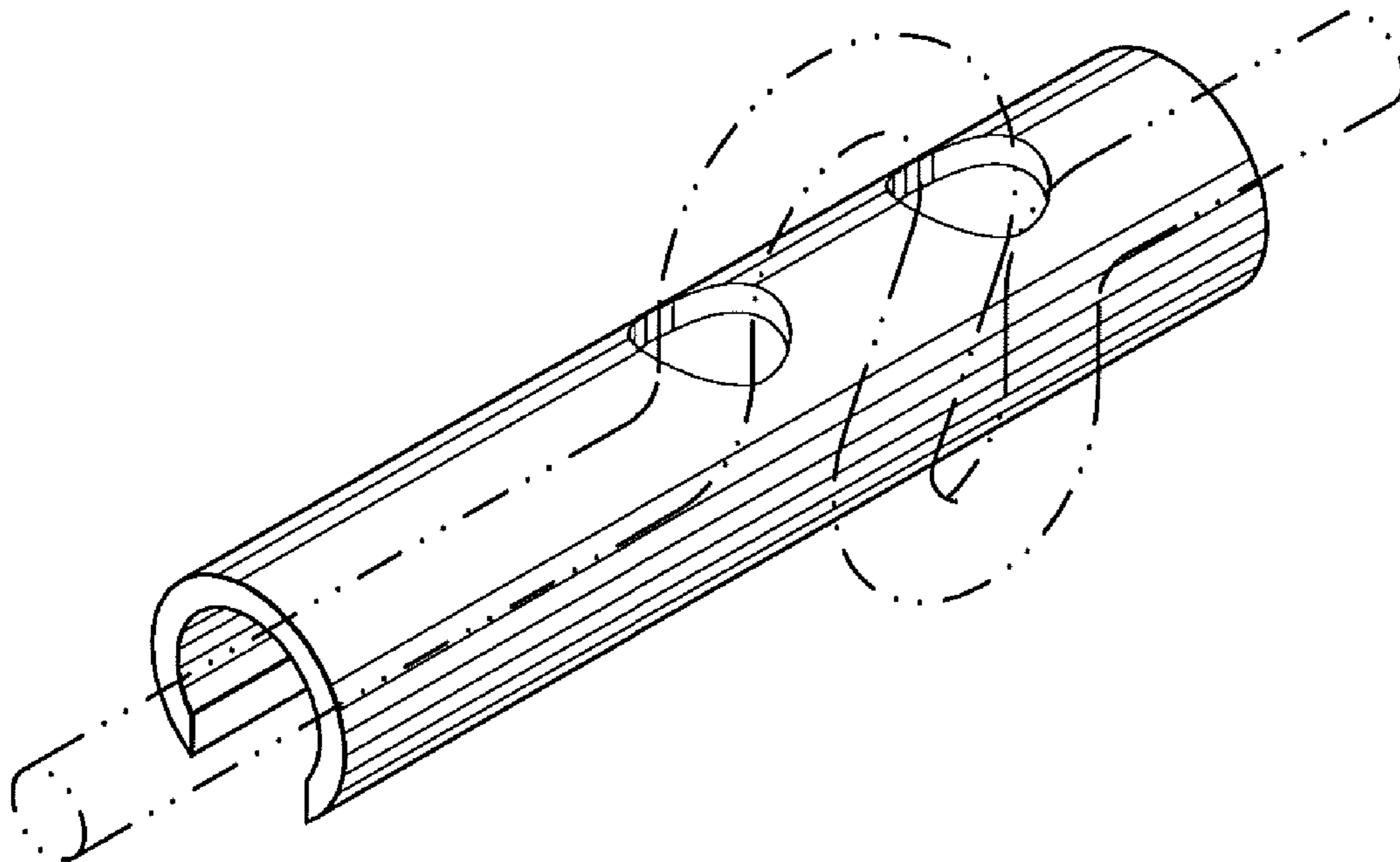
FIG. 7 is a left side elevational view of the invention.

FIG. 8 is front view of the invention; and,

FIG. 9 is a rear view of the invention.

The broken lines in FIG. 3 represent environmental subject matter and form no part of the claimed design.

1 Claim, 2 Drawing Sheets



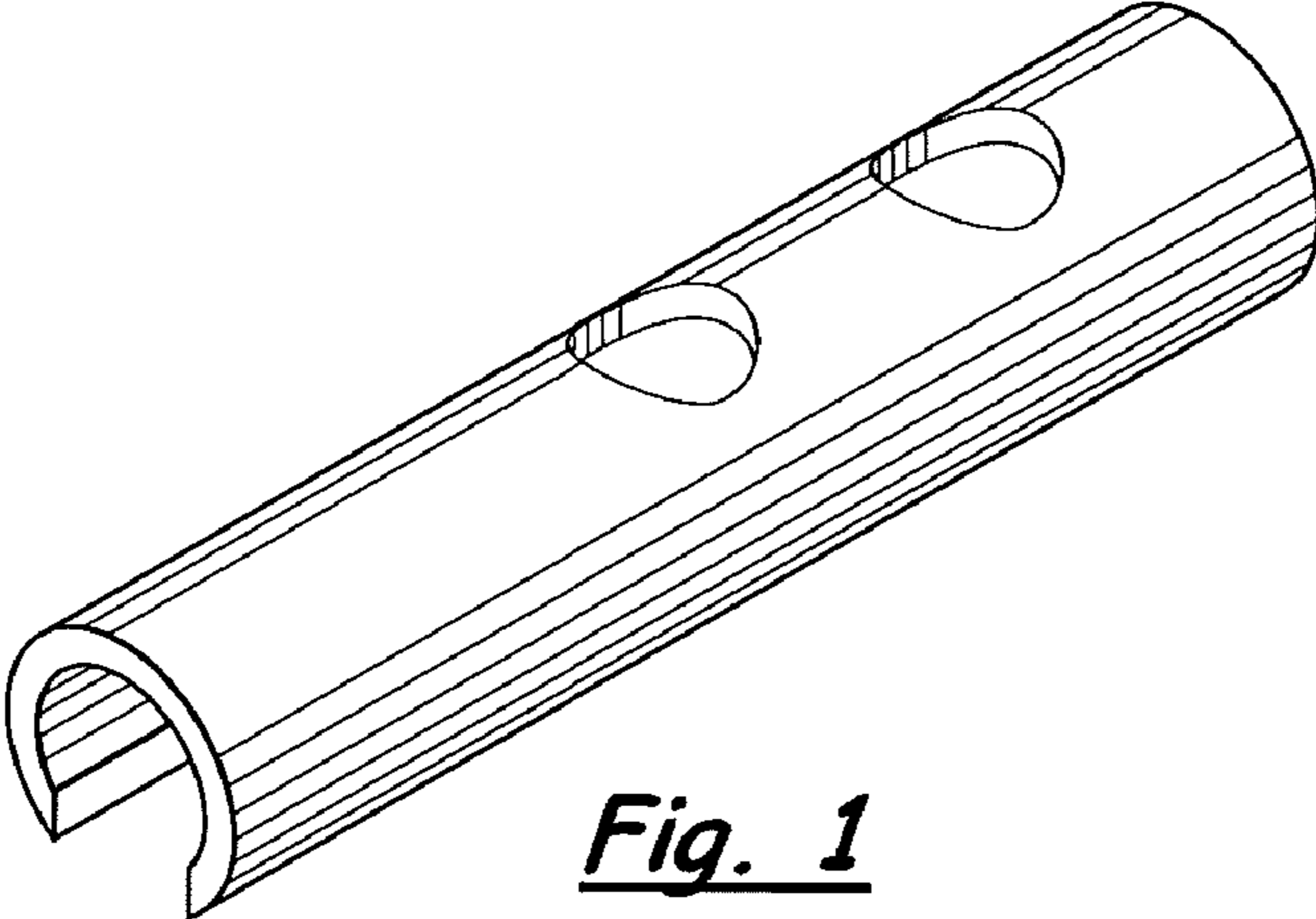


Fig. 1

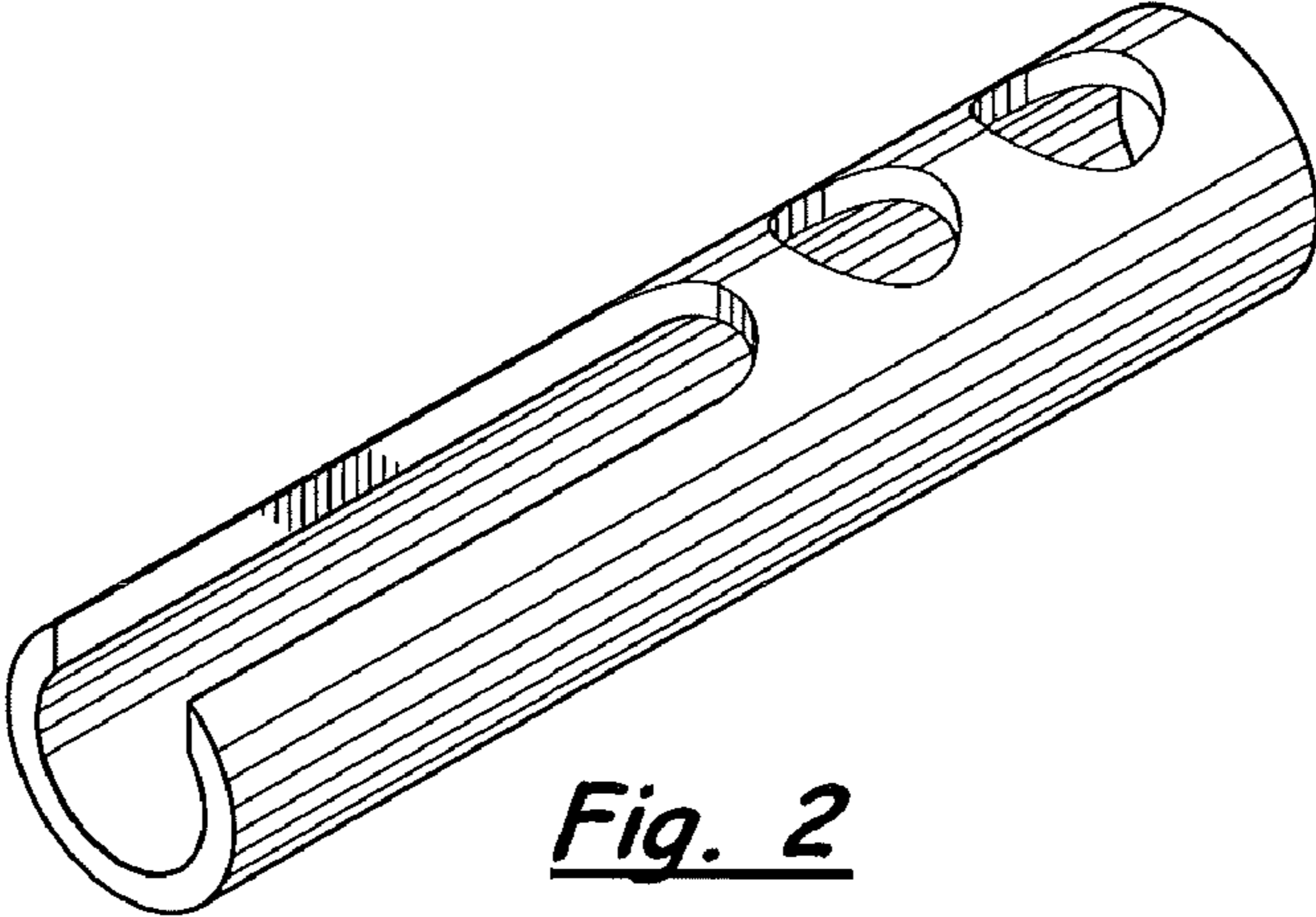


Fig. 2

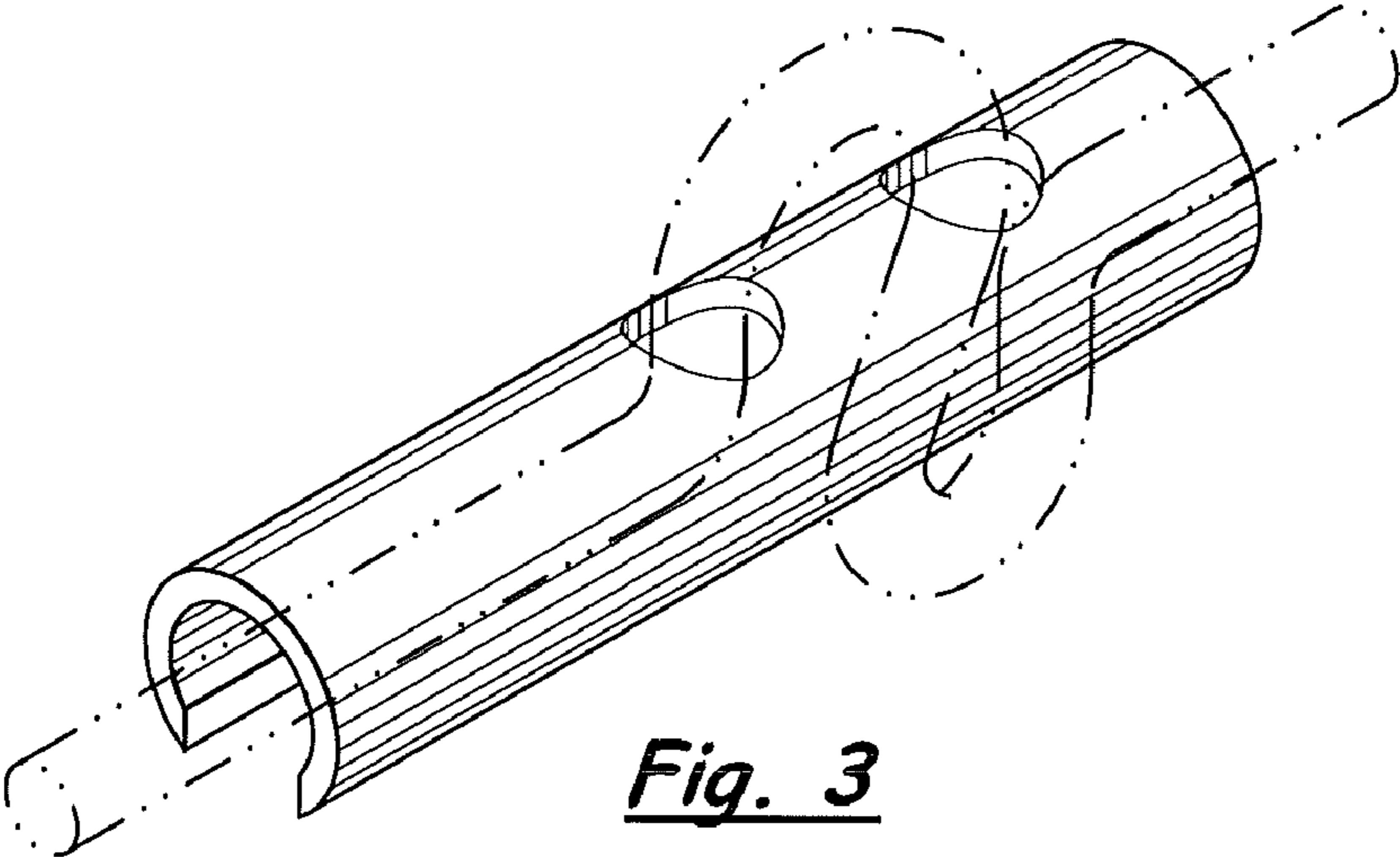


Fig. 3

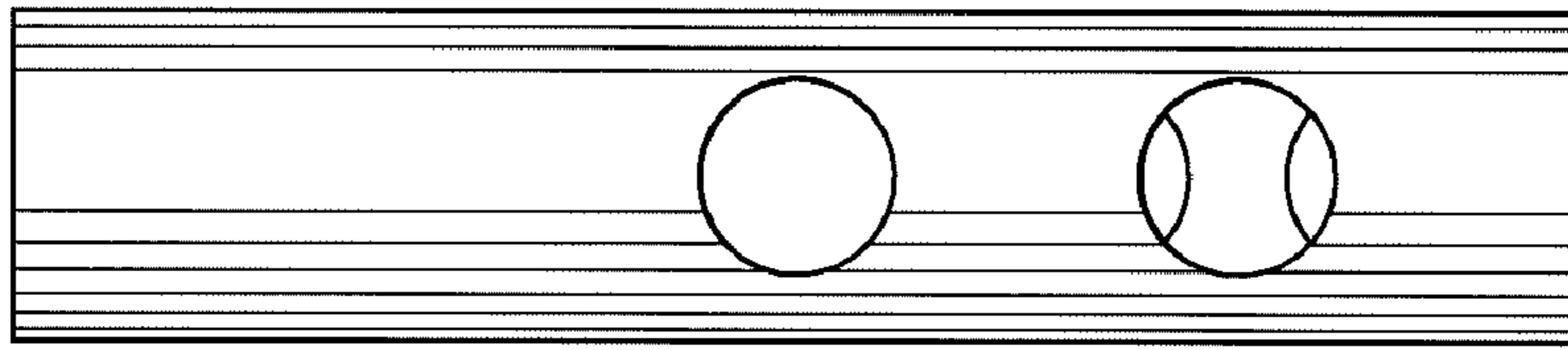


Fig. 4

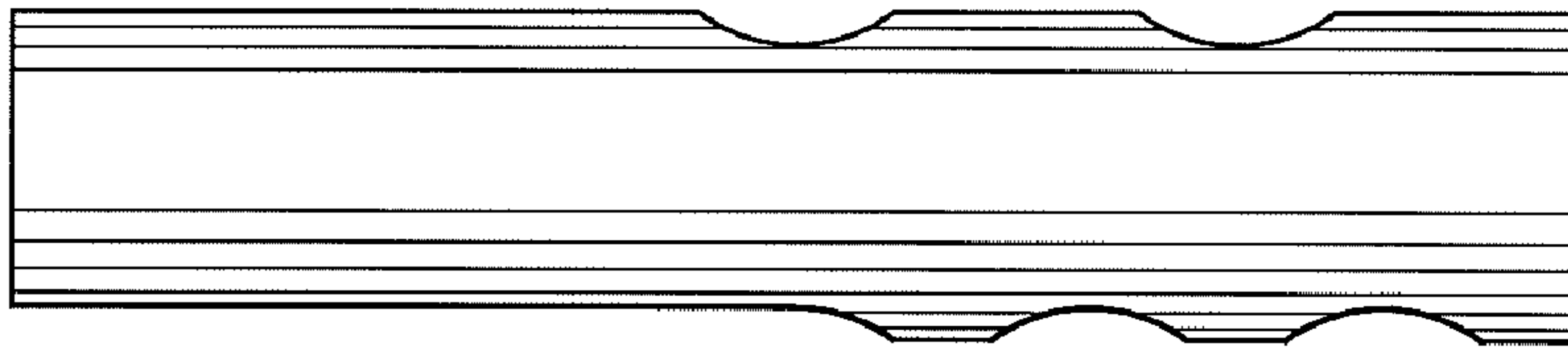


Fig. 5

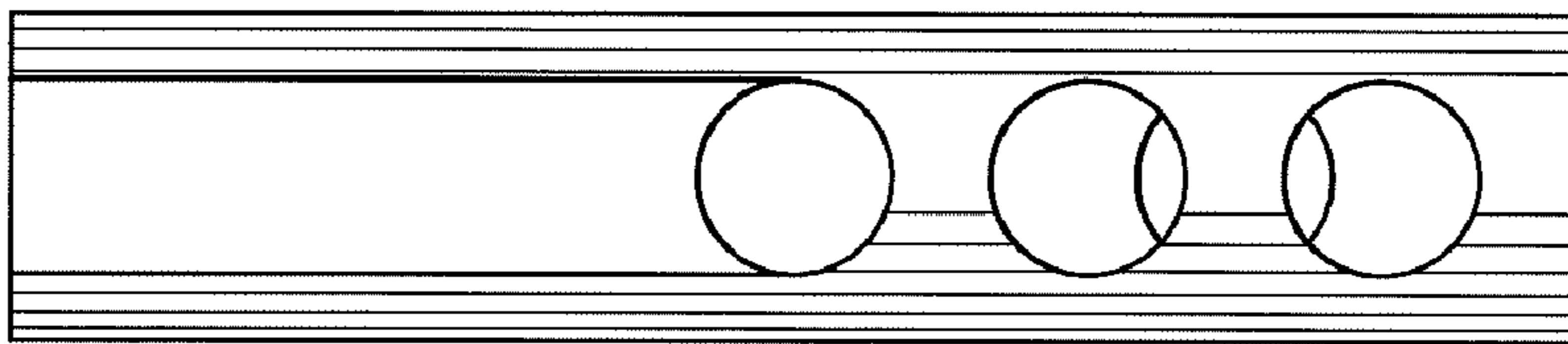


Fig. 6

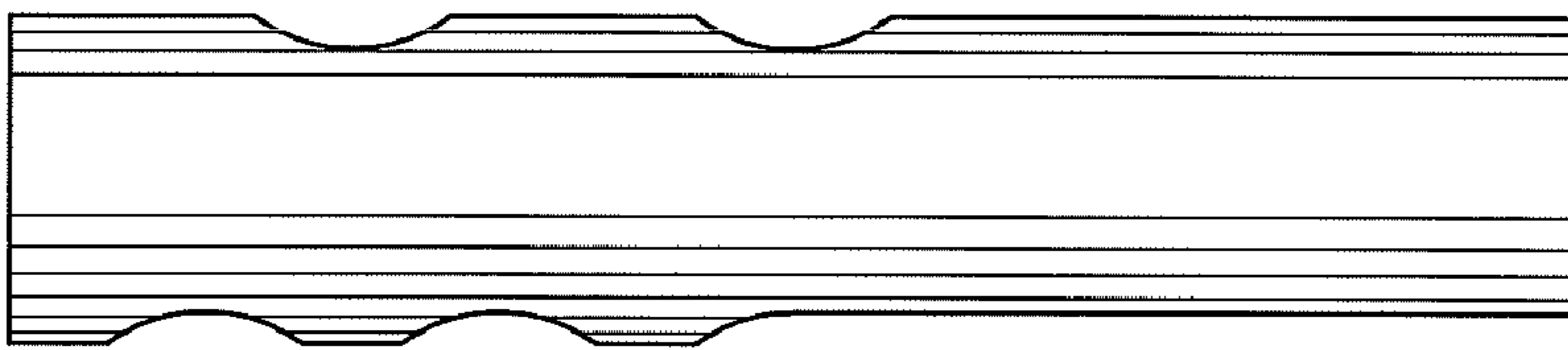


Fig. 7

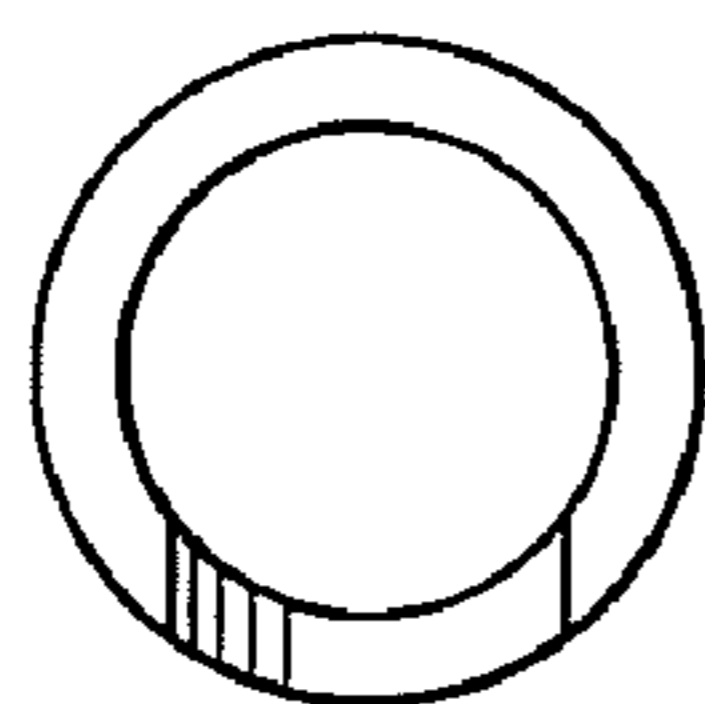


Fig. 8

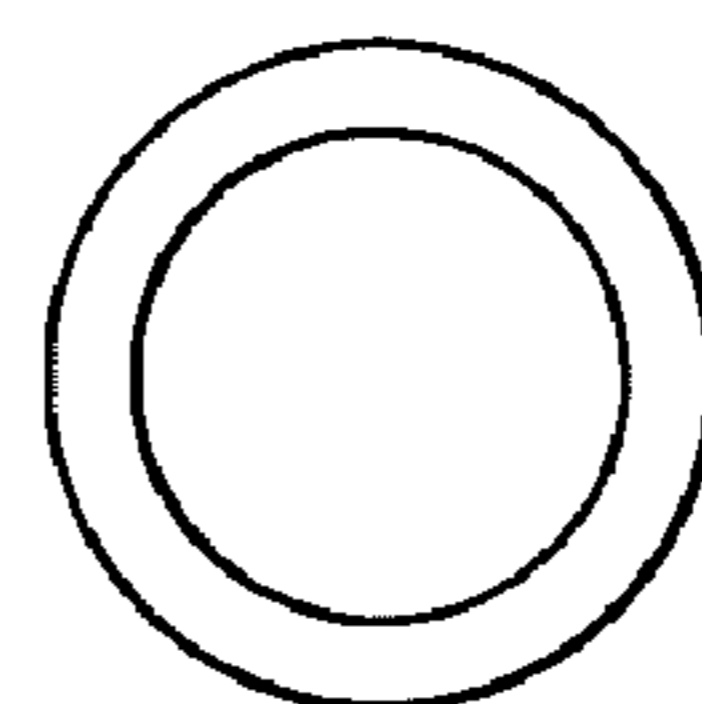


Fig. 9