



US00D657298S

(12) **United States Design Patent**  
**Lee**

(10) **Patent No.:** **US D657,298 S**

(45) **Date of Patent:** **\*\* Apr. 10, 2012**

(54) **AUTOMOTIVE WHEEL**

(75) Inventor: **Kevin Lee**, Yorba Linda, CA (US)

(73) Assignee: **Kevin Lee**, Yorba Linda, CA (US)

(\*\*) Term: **14 Years**

(21) Appl. No.: **29/404,515**

(22) Filed: **Oct. 21, 2011**

(51) **LOC (9) Cl.** ..... **12-16**

(52) **U.S. Cl.** ..... **D12/211**

(58) **Field of Classification Search** ..... D12/204-213;  
301/37.101, 64.101, 65, 64.201  
See application file for complete search history.

D578,948 S *	10/2008	Asada et al.	.....	D12/211
D591,661 S *	5/2009	Baum	.....	D12/209
D593,017 S *	5/2009	Antoniadis et al.	.....	D12/209
D620,874 S *	8/2010	Zhao	.....	D12/211
D622,201 S *	8/2010	Zhao	.....	D12/211
D639,228 S *	6/2011	Johnson	.....	D12/211
D643,794 S *	8/2011	Elmitt	.....	D12/211
D647,449 S *	10/2011	Gotschke	.....	D12/209

\* cited by examiner

*Primary Examiner* — Stacia Cadmus

(74) *Attorney, Agent, or Firm* — MKW Alloy Inc

(57) **CLAIM**

The ornamental design for an automotive wheel, as shown and described.

(56) **References Cited**

U.S. PATENT DOCUMENTS

D493,404 S *	7/2004	Baum	.....	D12/211
D500,726 S *	1/2005	Hettler	.....	D12/211
D516,989 S *	3/2006	Baum	.....	D12/211
D516,990 S *	3/2006	Schweizer	.....	D12/211
D548,162 S *	8/2007	Baum	.....	D12/211
D551,149 S *	9/2007	Elmitt	.....	D12/211
D558,117 S *	12/2007	Baum	.....	D12/211

**DESCRIPTION**

FIG. 1 is a front elevation view of the automotive wheel of the instant invention; and,  
FIG. 2 is an oblique view of the automotive wheel of the instant invention.

**1 Claim, 2 Drawing Sheets**

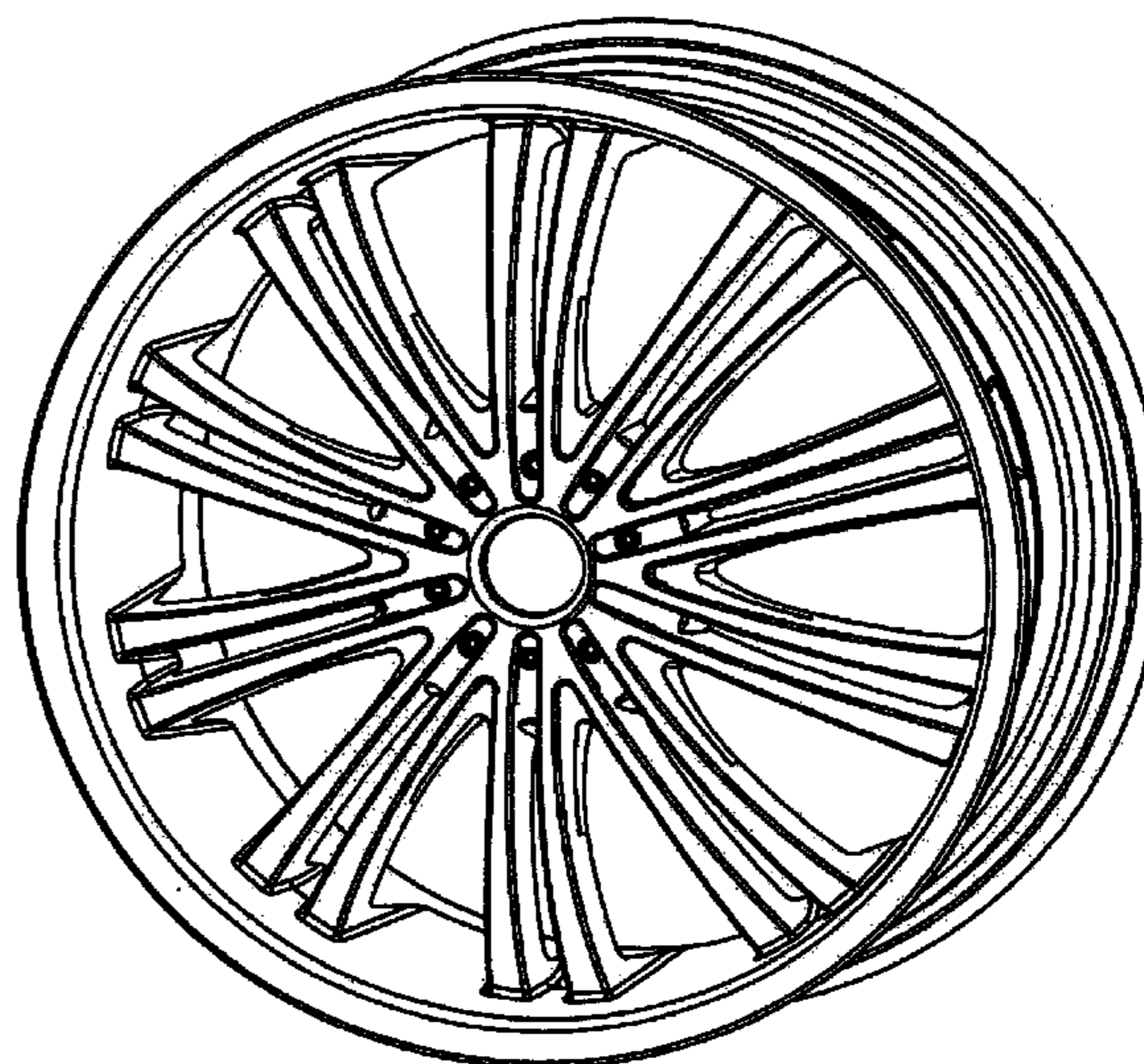
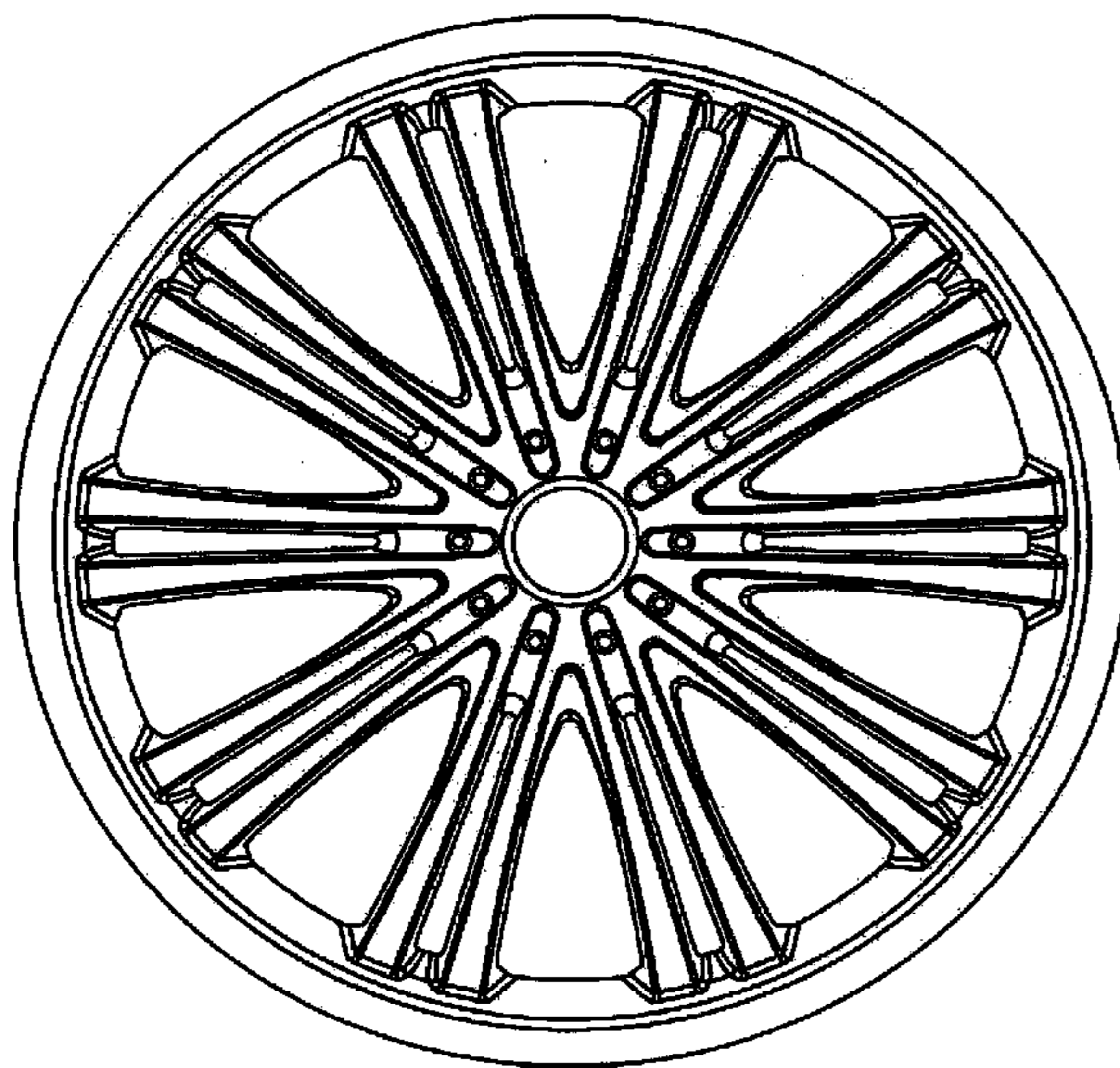


FIGURE 1

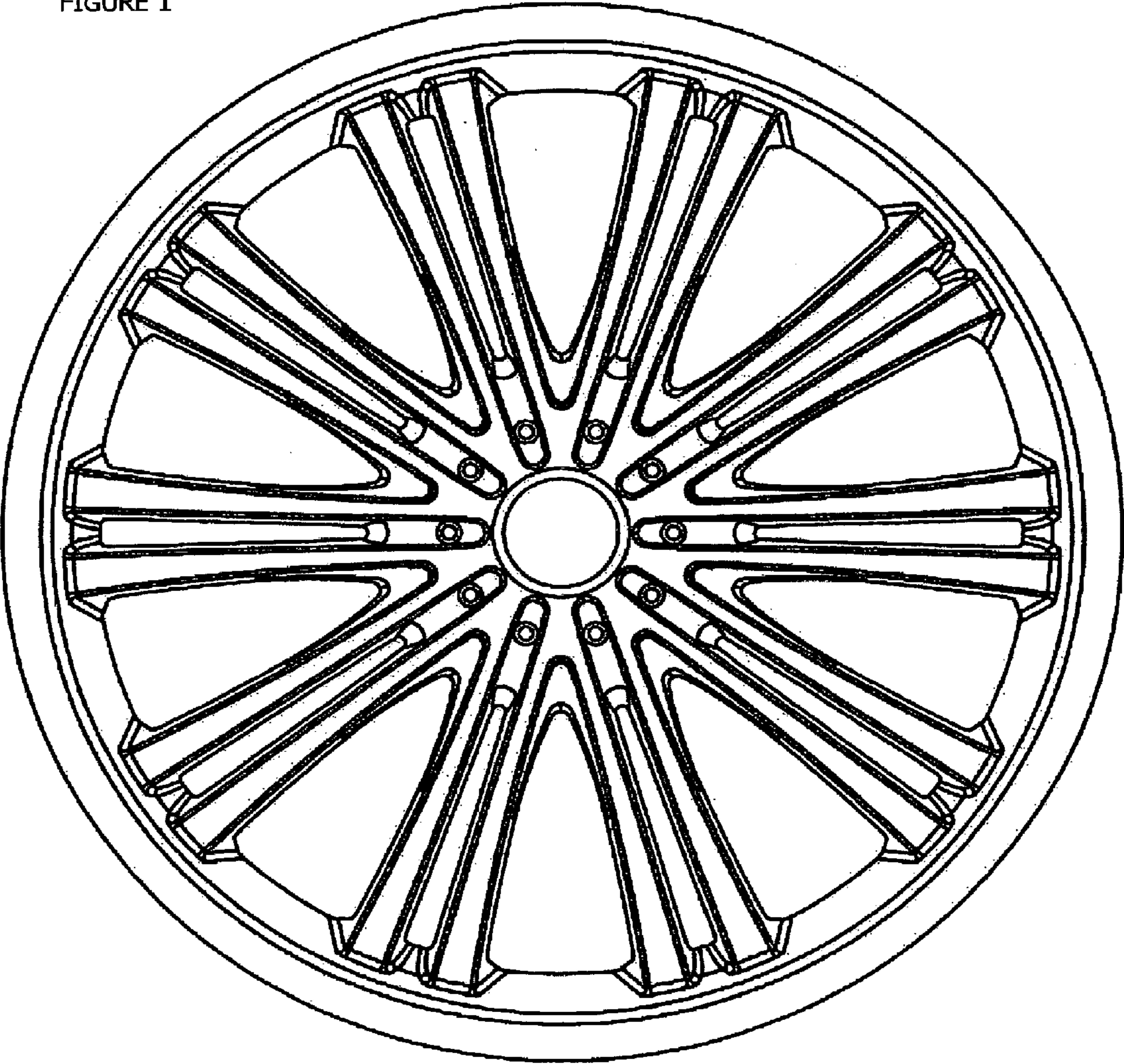


FIGURE 2

