



US00D657293S

(12) **United States Design Patent**
Barron

(10) **Patent No.:** **US D657,293 S**

(45) **Date of Patent:** **** Apr. 10, 2012**

(54) **COMBINED WHEEL WELL COWLING AND SAFETY GUARD**

(75) Inventor: **Mark B Barron**, Los Angeles, CA (US)

(73) Assignee: **Public Transportation Safety Int'l. Corp.**, Los Angeles, CA (US)

(**) Term: **14 Years**

(21) Appl. No.: **29/387,095**

(22) Filed: **Mar. 9, 2011**

(51) **LOC (9) Cl.** **12-16**

(52) **U.S. Cl.** **D12/185**

(58) **Field of Classification Search** D12/184,
D12/196, 90-92, 181, 202, 185, 96, 93; 280/152.1,
280/847-851; 296/181.1, 181.5; 224/42.24,
224/42.26, 42.12; 180/180.1, 180.2; 416/86-88
See application file for complete search history.

(56) **References Cited**

U.S. PATENT DOCUMENTS

3,450 A	2/1844	Tolles	
217,676 A	7/1879	Brown	
346,762 A	8/1886	Marston	
354,831 A	12/1886	French	
1,002,114 A	8/1911	Barnes	
1,065,055 A	6/1913	Lawrence	
1,222,828 A	4/1917	Weinberg	
1,411,254 A	4/1922	Braucci	
1,899,937 A	3/1933	Brown	
2,017,227 A	10/1935	Barnhart	
3,794,373 A	2/1974	Manning	
4,203,623 A	5/1980	Fenner et al.	
4,688,824 A	8/1987	Herring	
D294,246 S *	2/1988	Patrick, III	D12/190
4,763,939 A	8/1988	Zhu	
4,877,266 A	10/1989	Lamparter et al.	
D306,995 S *	4/1990	Reed, Jr.	D12/202
D328,052 S *	7/1992	Stout, III	D12/202
5,462,324 A	10/1995	Bowen et al.	

D377,002 S *	12/1996	Tran	D12/181
5,735,560 A	4/1998	Bowen et al.	
D407,360 S *	3/1999	Hellhake et al.	D12/185
D415,460 S *	10/1999	Ward et al.	D12/185
6,007,102 A *	12/1999	Helmus	280/849
D469,725 S *	2/2003	Murkett	D12/202
D526,608 S *	8/2006	Hayashi	D12/202
D570,273 S *	6/2008	Thompson	D12/185
D626,890 S *	11/2010	Cantemir	D12/93

FOREIGN PATENT DOCUMENTS

GB	809624	2/1959
JP	04-176784	6/1992

* cited by examiner

Primary Examiner — Melody N Brown

(74) *Attorney, Agent, or Firm* — Diedericks & Whitelaw, PLC

(57) **CLAIM**

The ornamental design for a combined wheel well cowl- ing and safety guard, as shown and described.

DESCRIPTION

FIG. 1 is a perspective view of a combined wheel well cowl- ing and safety guard according to my design shown for pos- sible mounting on a school bus;

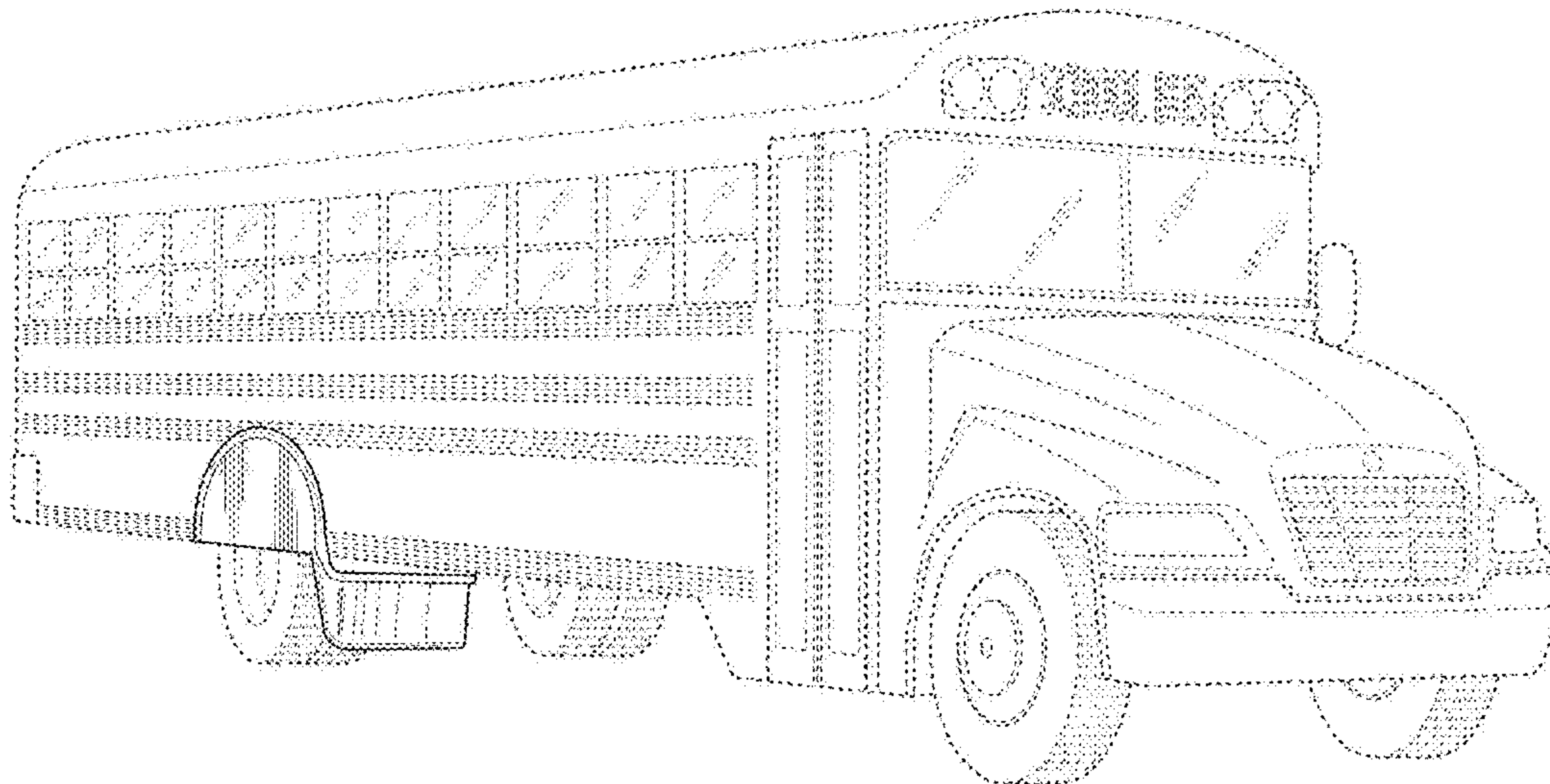
FIG. 2 is a front elevational view of the combined wheel well cowl- ing and safety guard of FIG. 1;

FIG. 3 is a left side view of the wheel well covering safety guard of FIGS. 1 and 2; and,

FIG. 4 is a top view of the combined wheel well cowl- ing and safety guard according to the invention.

The broken lines in FIG. 1 showing an outline of a school bus is for illustrative purposes only and forms no part of the claimed invention. In addition, no aspects of the invention are associated with the left, bottom or rear side views of the combined wheel well cowl- ing and safety guard.

1 Claim, 3 Drawing Sheets



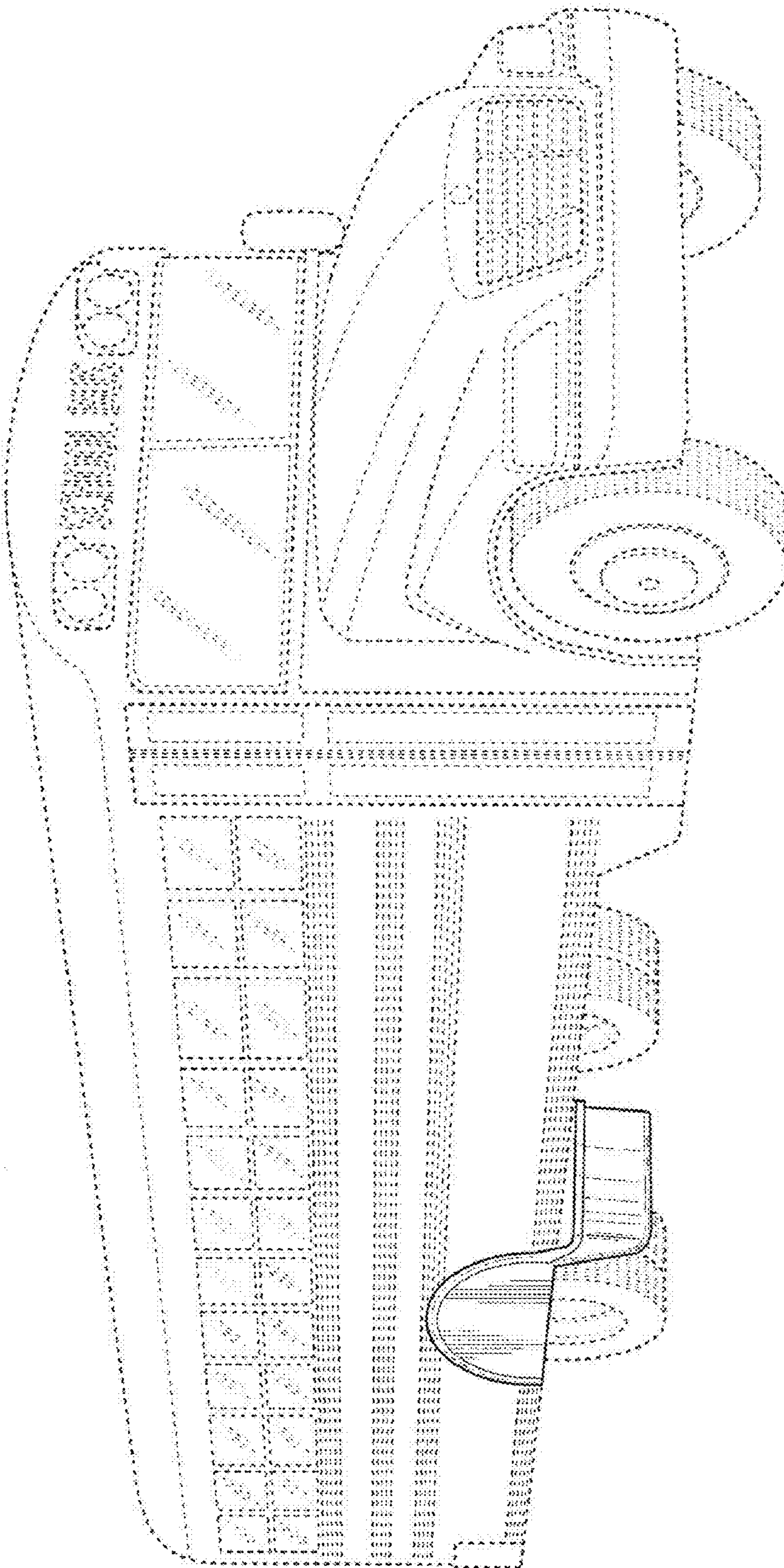


FIG. 1

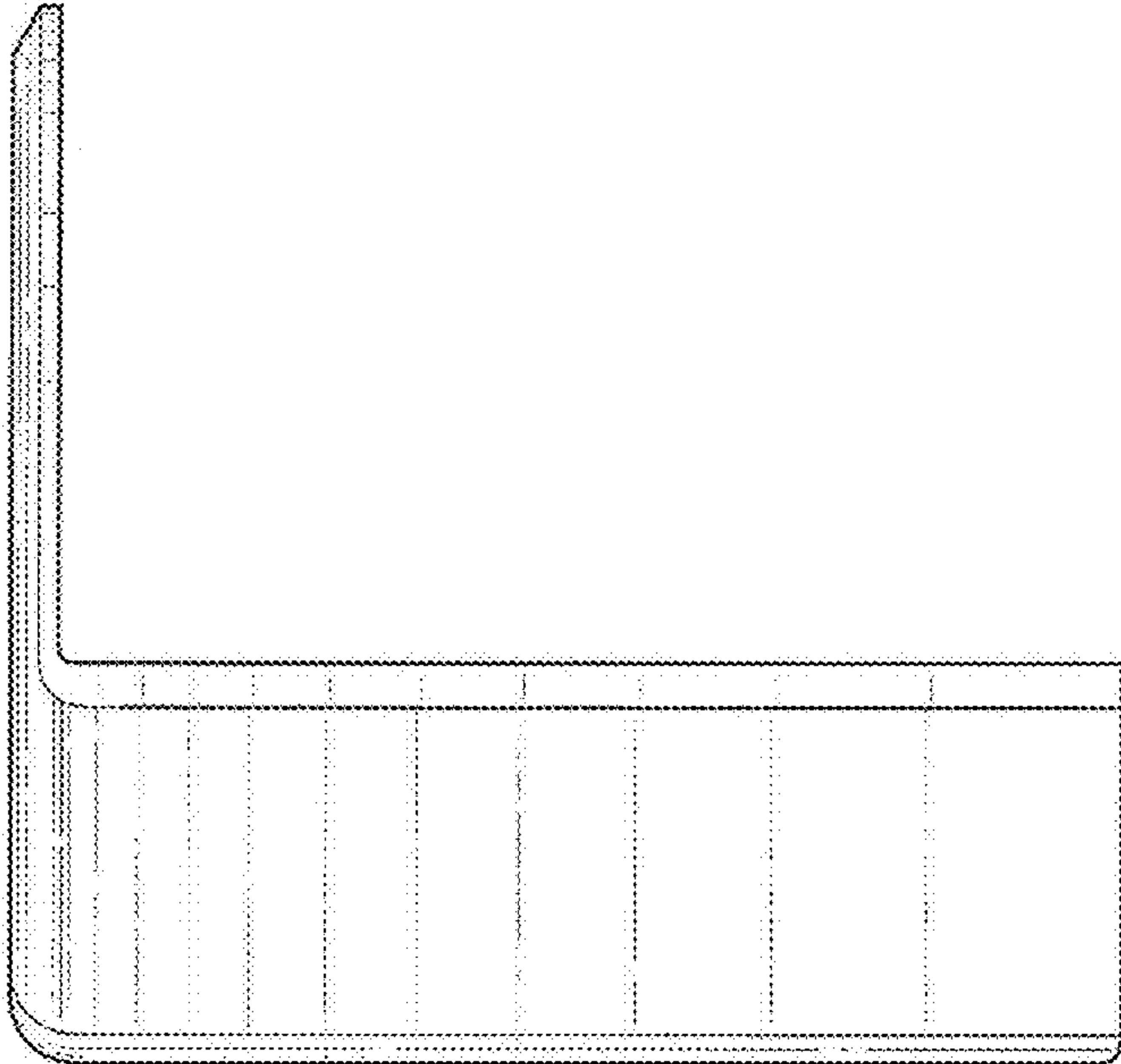


FIG. 2

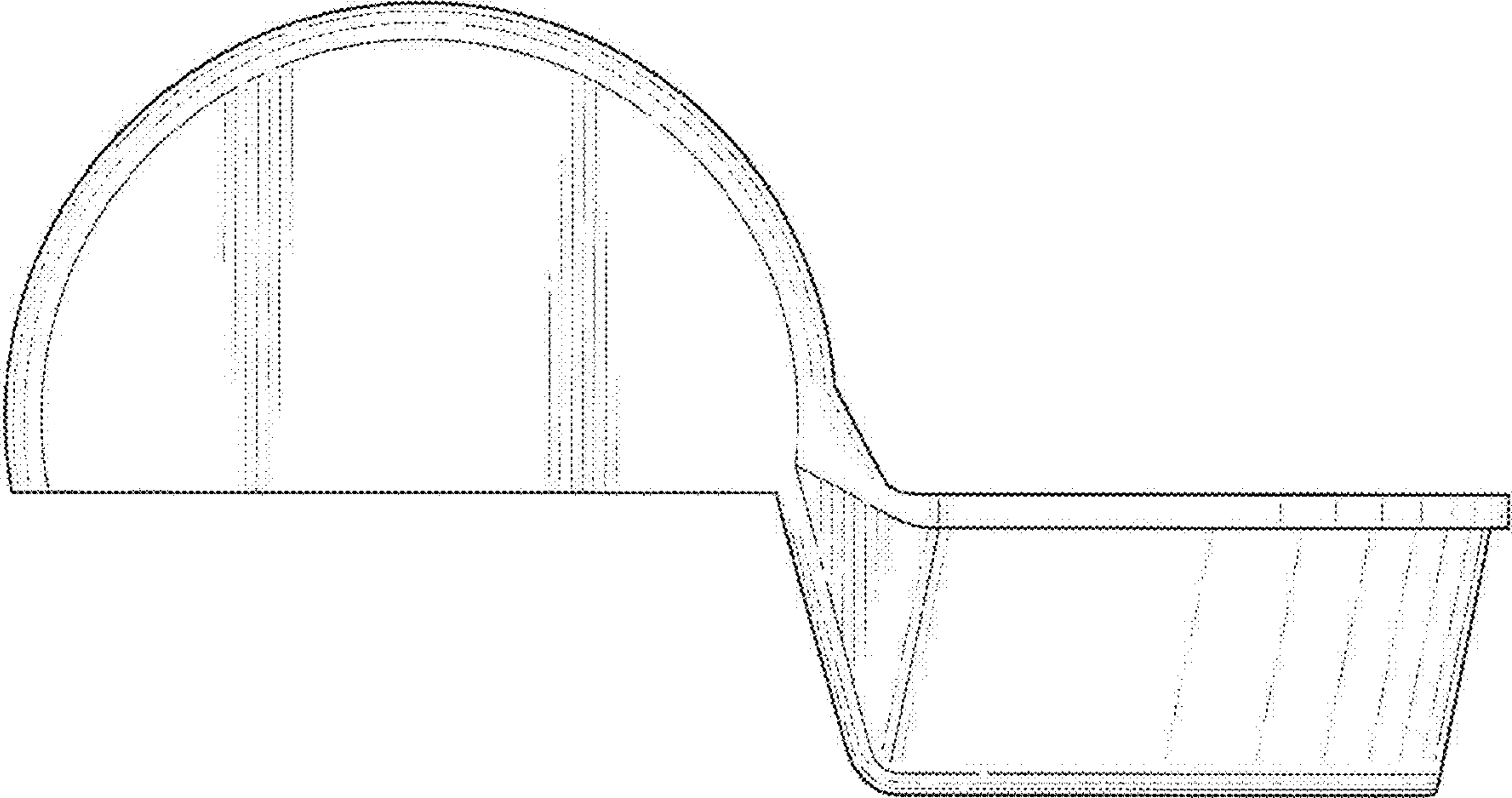


FIG. 3

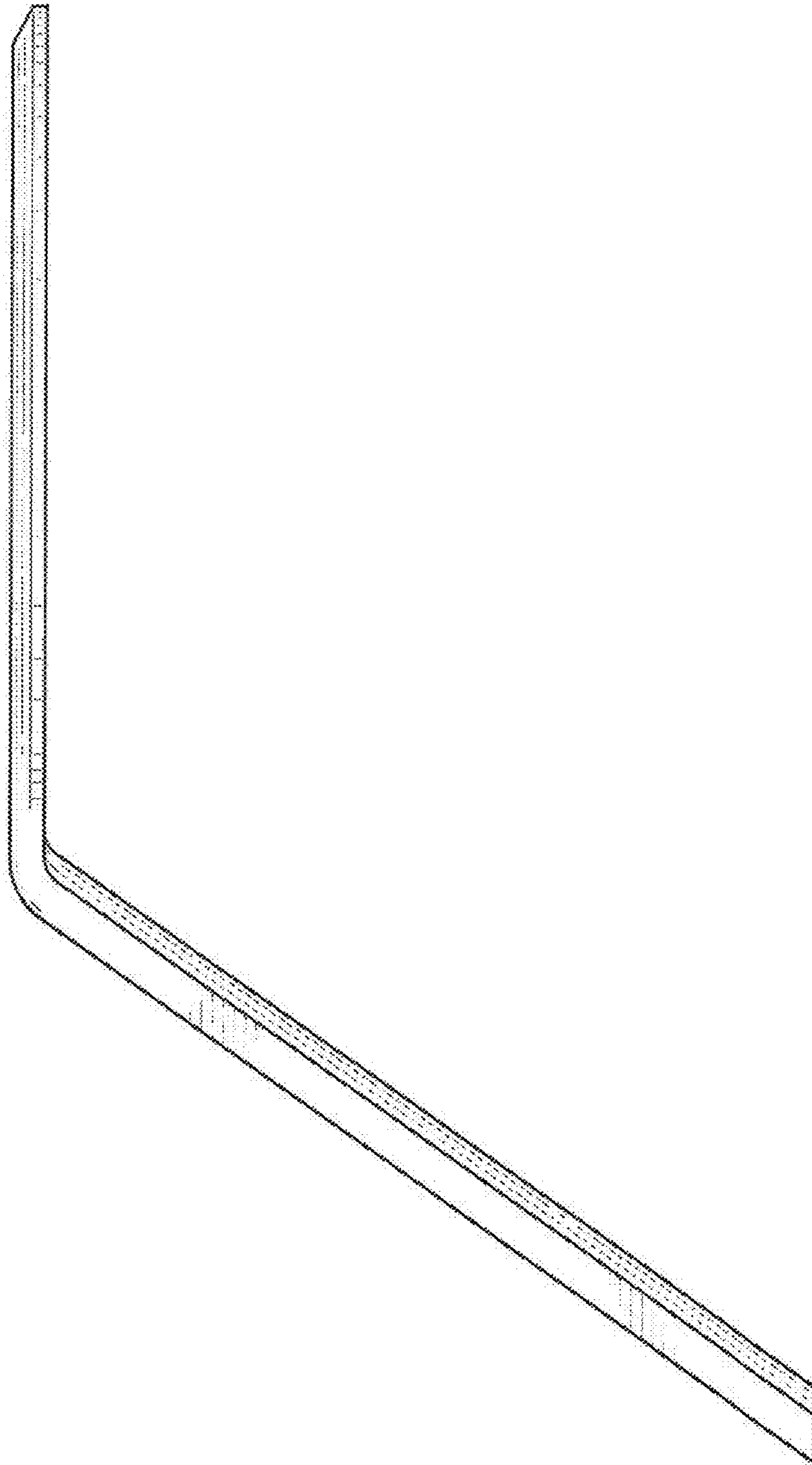


FIG. 4