



US00D657290S

(12) **United States Design Patent**  
**Tako et al.**

(10) **Patent No.:** **US D657,290 S**  
(45) **Date of Patent:** **\*\* Apr. 10, 2012**

(54) **MOTORCYCLE OR MOTORCYCLE  
REPLICA**

D596,082 S \* 7/2009 Ueno et al. .... D12/110  
D611,390 S \* 3/2010 Toriyama et al. .... D12/110  
D636,708 S \* 4/2011 Katagiri et al. .... D12/110

(75) Inventors: **Kenji Tako**, Wako (JP); **Daisuke  
Takahashi**, Wako (JP)

\* cited by examiner

(73) Assignee: **Honda Motor Co., Ltd.**, Tokyo (JP)

*Primary Examiner* — Susan M Lee

(\*\*) Term: **14 Years**

*Assistant Examiner* — Linda G. Brooks

(21) Appl. No.: **29/390,784**

(74) *Attorney, Agent, or Firm* — Birch, Stewart, Kolasch &  
Birch, LLP

(22) Filed: **Apr. 29, 2011**

(57) **CLAIM**  
The ornamental design for, a motorcycle or motorcycle rep-  
lica thereof, as shown and described.

(30) **Foreign Application Priority Data**

**DESCRIPTION**

Nov. 1, 2010 (JP) ..... 2010-026238

(51) **LOC (9) Cl.** ..... **12-11**

(52) **U.S. Cl.** ..... **D12/110**

(58) **Field of Classification Search** ..... D12/110;  
180/219, 220, 225, 229

See application file for complete search history.

FIG. 1 is a first perspective view of motorcycle or motorcycle  
replica thereof thereof, showing our new design;  
FIG. 2 is a second perspective view thereof;  
FIG. 3 is a front elevation view thereof;  
FIG. 4 is a rear elevation view thereof;  
FIG. 5 is a top plan view thereof;  
FIG. 6 is a right side elevation view thereof; and,  
FIG. 7 is a left side elevation view thereof.

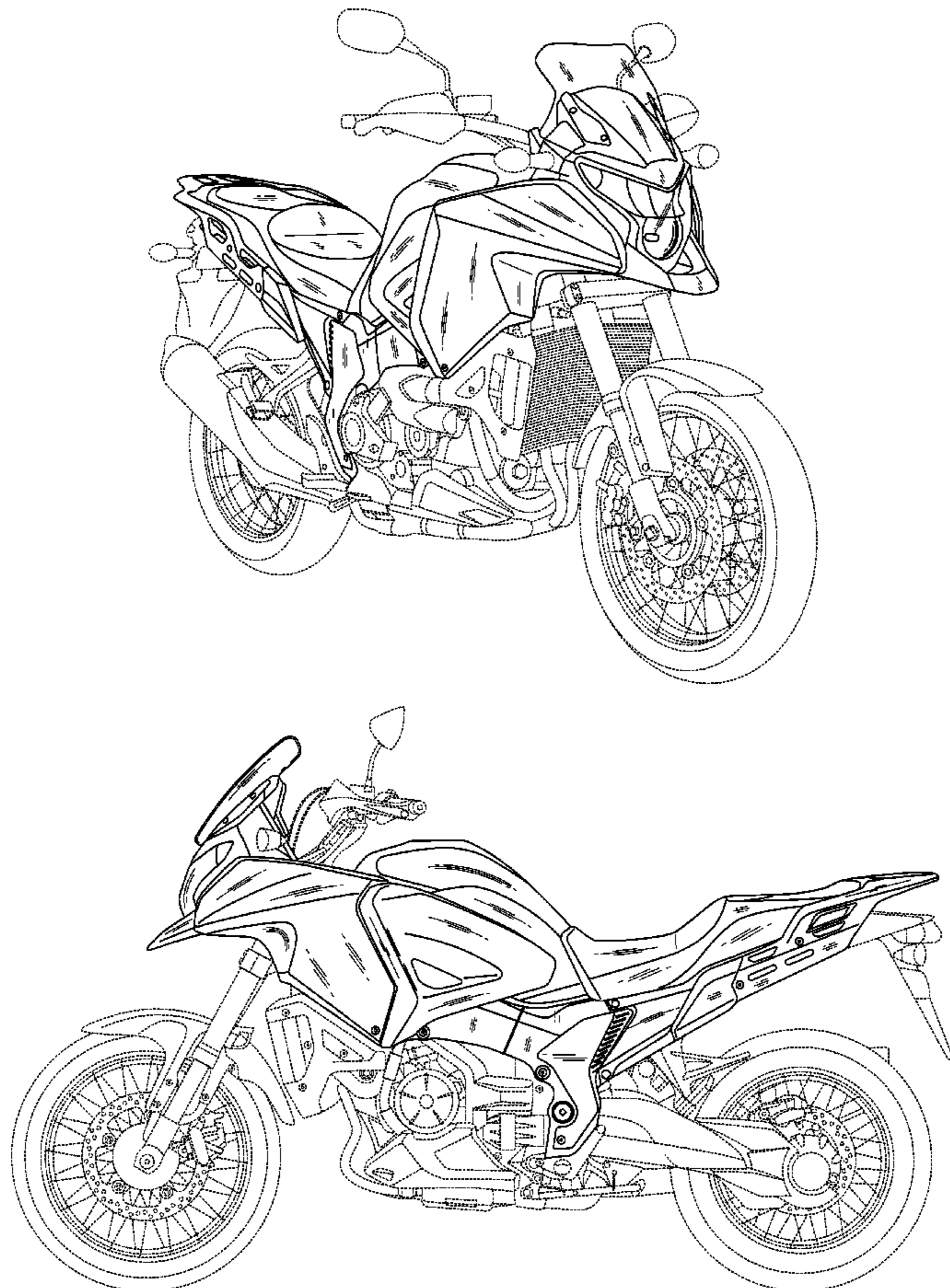
The broken lines are for illustrative purposes only and form  
no part of the claimed design.

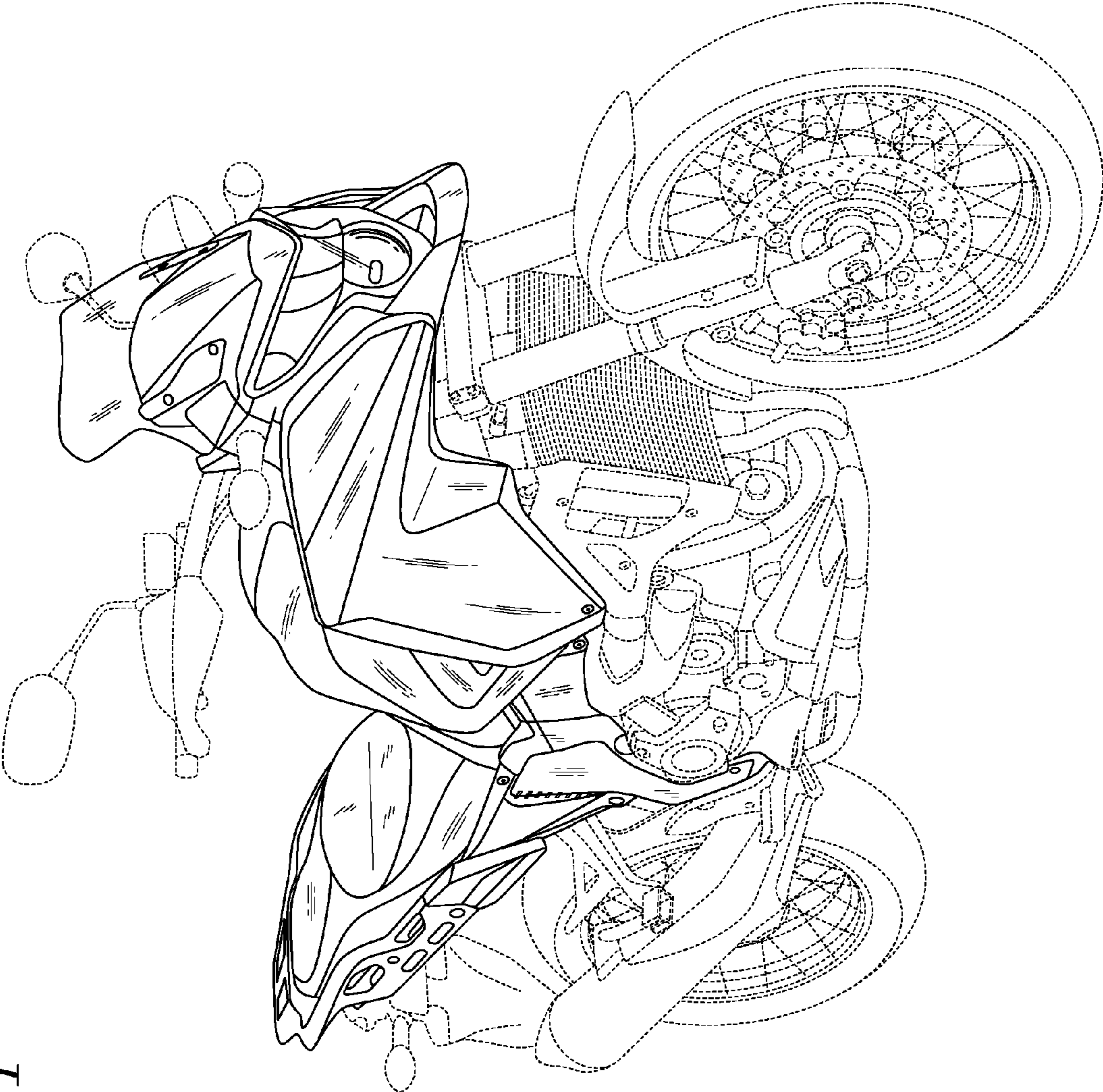
(56) **References Cited**

**U.S. PATENT DOCUMENTS**

D403,277 S \* 12/1998 Kokubu et al. .... D12/110  
D470,439 S \* 2/2003 Ban et al. .... D12/110

**1 Claim, 6 Drawing Sheets**





*Fig. 1*



Fig. 2

Fig. 4

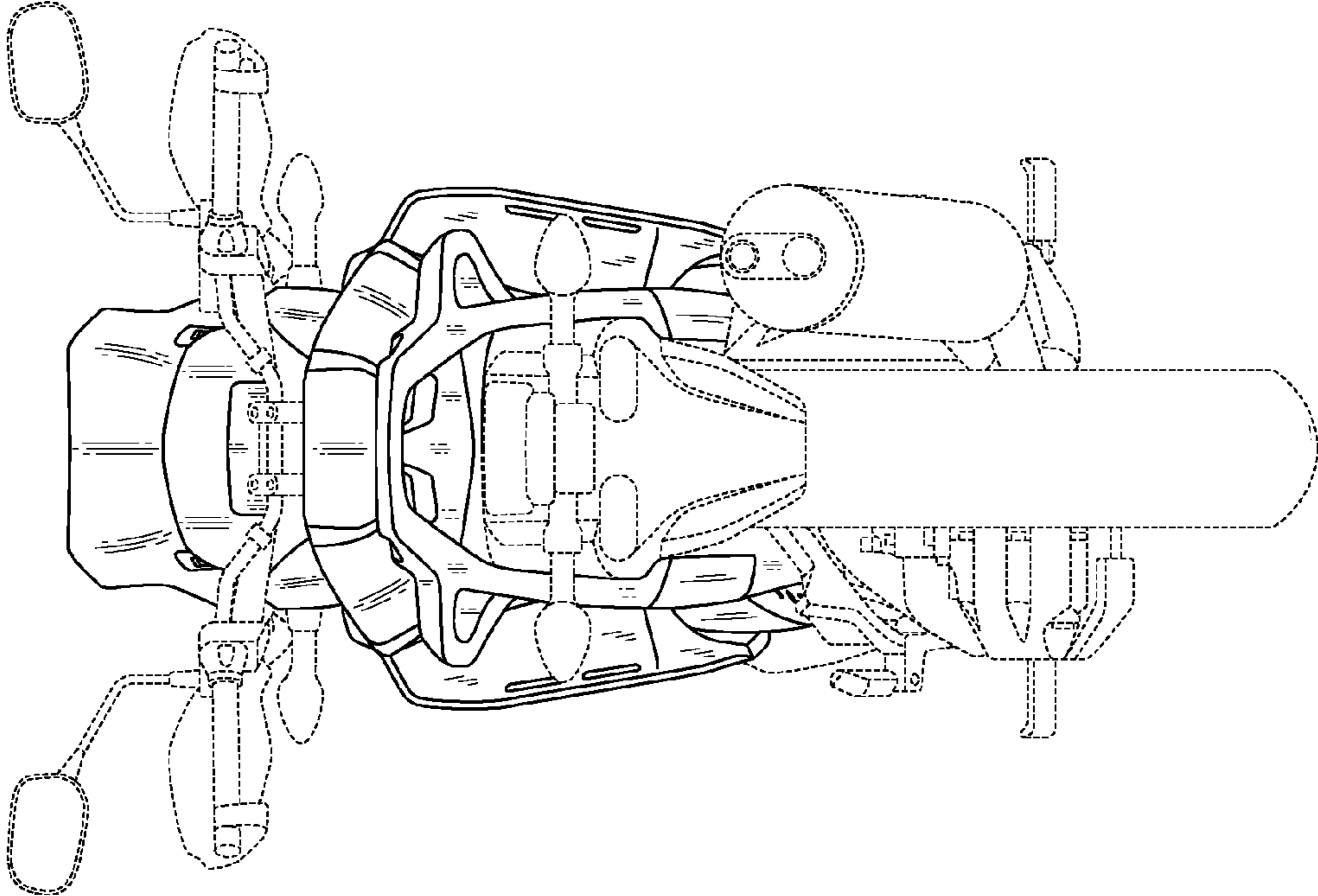
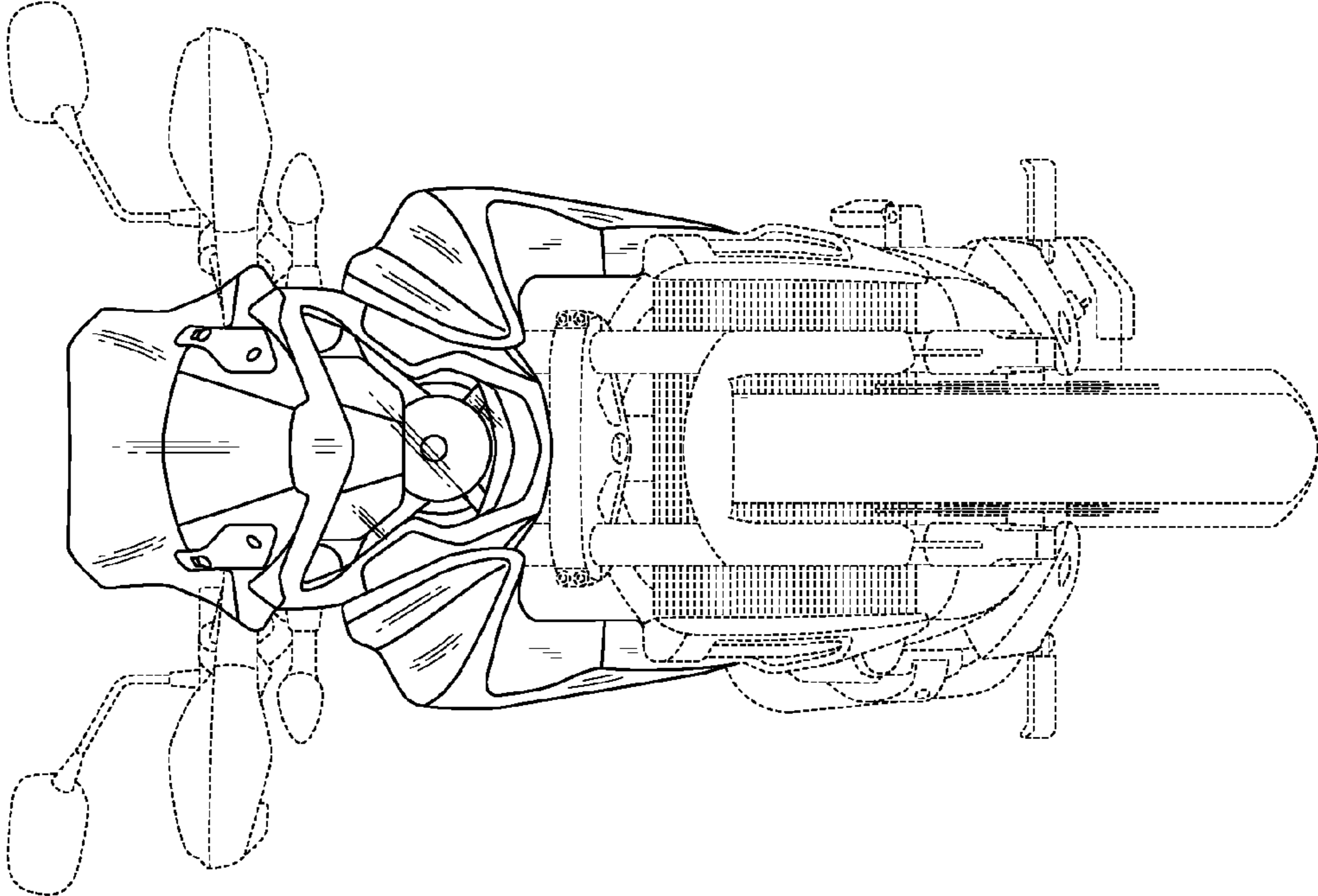
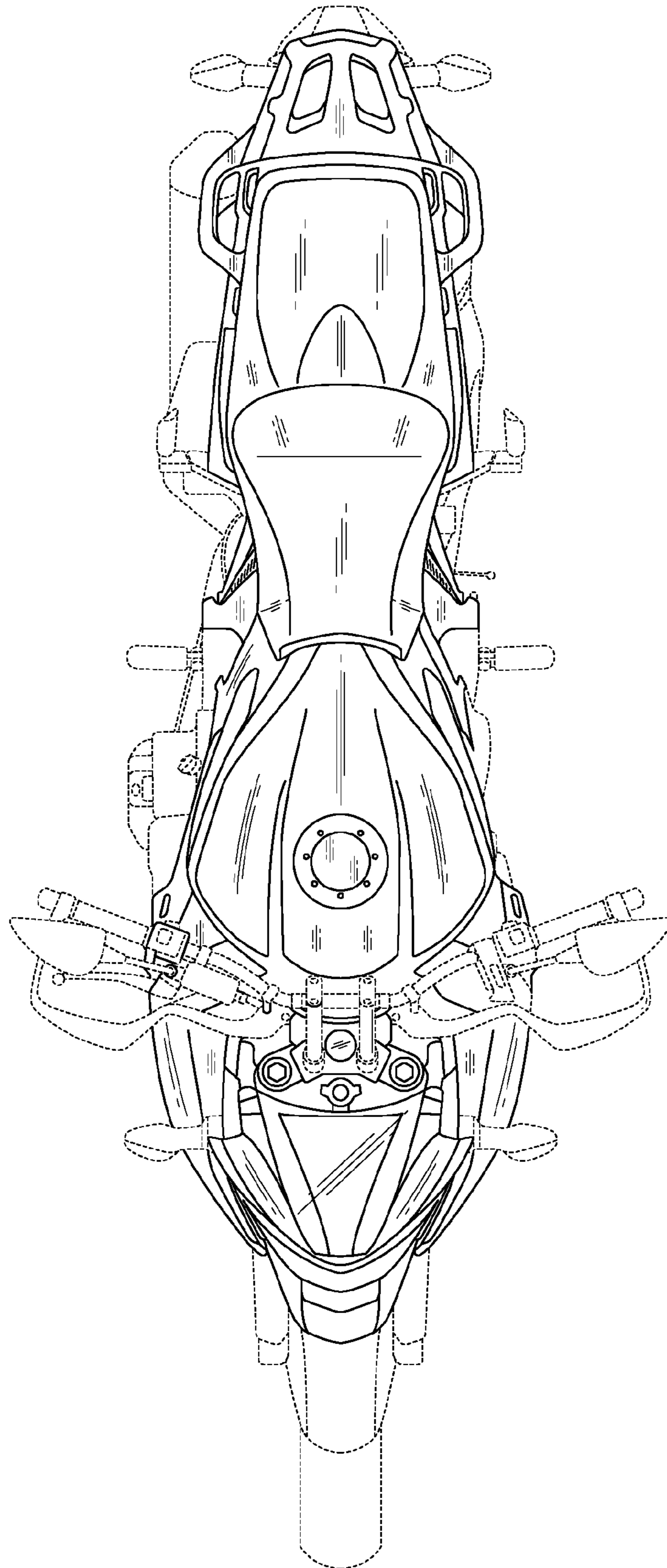


Fig. 3



*Fig. 5*



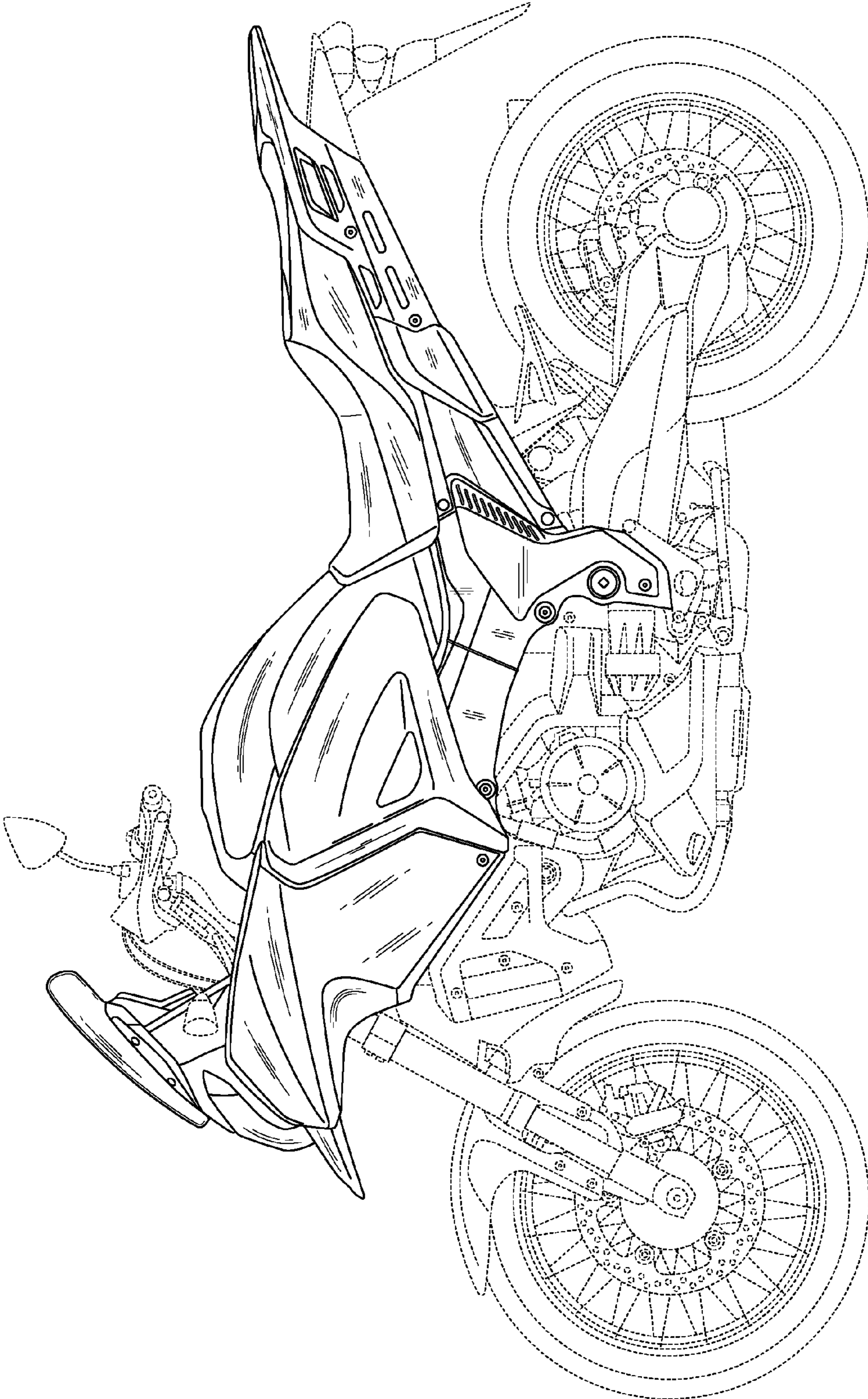


Fig. 6

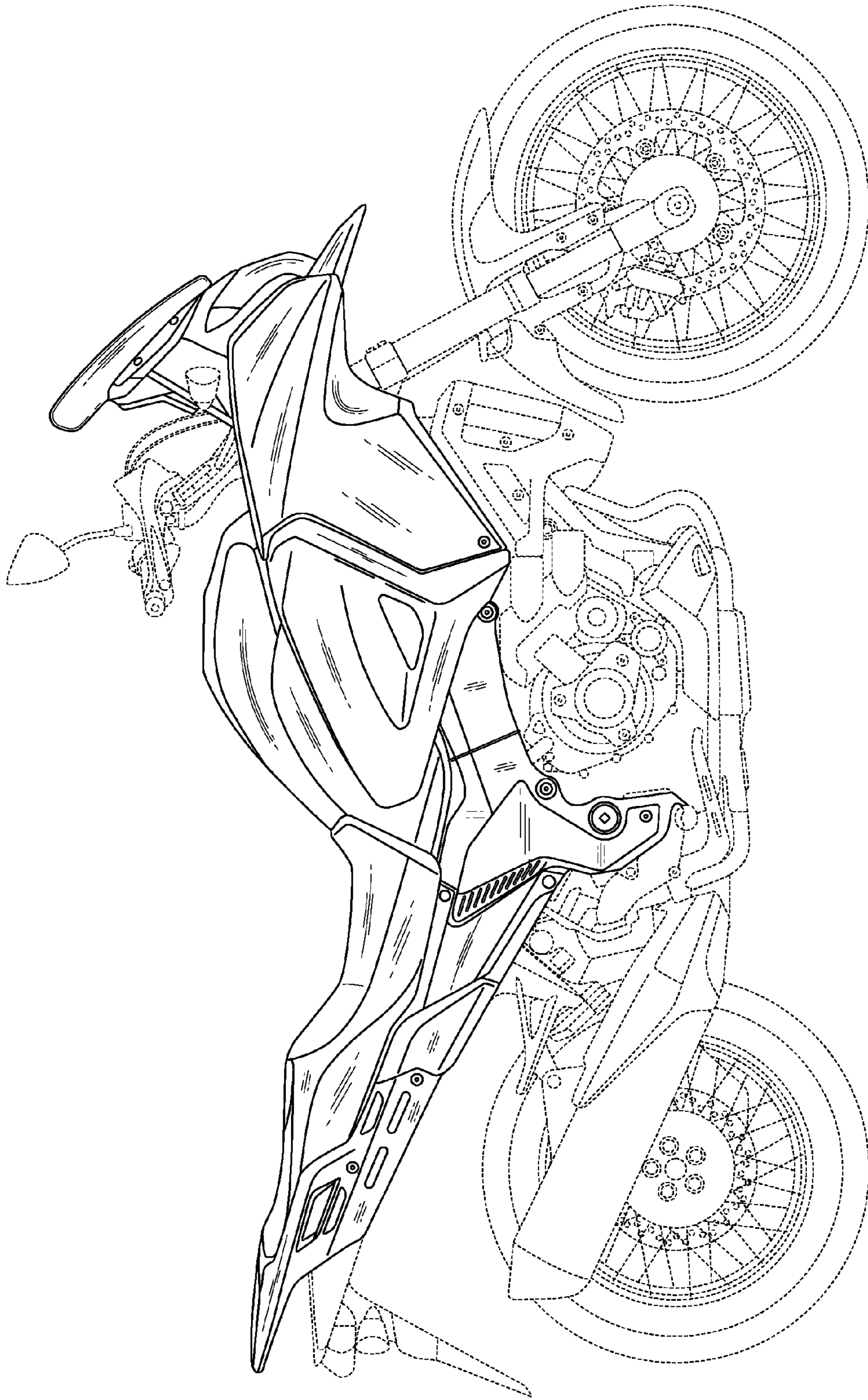


Fig. 7