

US00D657287S

(12) **United States Design Patent**
Cheng

(10) **Patent No.:** **US D657,287 S**

(45) **Date of Patent:** **** Apr. 10, 2012**

(54) **ZIPPER TOOTH**

(75) Inventor: **Jung-Yuan Cheng**, New Taipei (TW)

(73) Assignee: **Unitech Zipper & Machinery Co., Ltd.**, New Taipei (TW)

(**) Term: **14 Years**

(21) Appl. No.: **29/398,837**

(22) Filed: **Aug. 5, 2011**

(30) **Foreign Application Priority Data**

Jun. 28, 2011 (TW) 00303252

(51) **LOC (9) Cl.** **02-07**

(52) **U.S. Cl.** **D11/221**

(58) **Field of Classification Search** D11/200,
D11/201, 221; 24/381–383, 385–387, 412,
24/414–417, 421–422, 427–431, 433; 2/265
See application file for complete search history.

(56) **References Cited**

U.S. PATENT DOCUMENTS

2,660,774 A * 12/1953 Heimann et al. 24/412
D252,896 S * 9/1979 Jovin D11/221

D628,123 S * 11/2010 Kojima et al. D11/221
D628,517 S 12/2010 Bitzan
D632,218 S * 2/2011 Yamamoto et al. D11/221
D644,564 S * 9/2011 Kojima et al. D11/221
2005/0278923 A1 12/2005 Wu

* cited by examiner

Primary Examiner — Ralf Seifert

(74) *Attorney, Agent, or Firm* — Alan Kamrath; Kamrath IP Lawfirm, PA

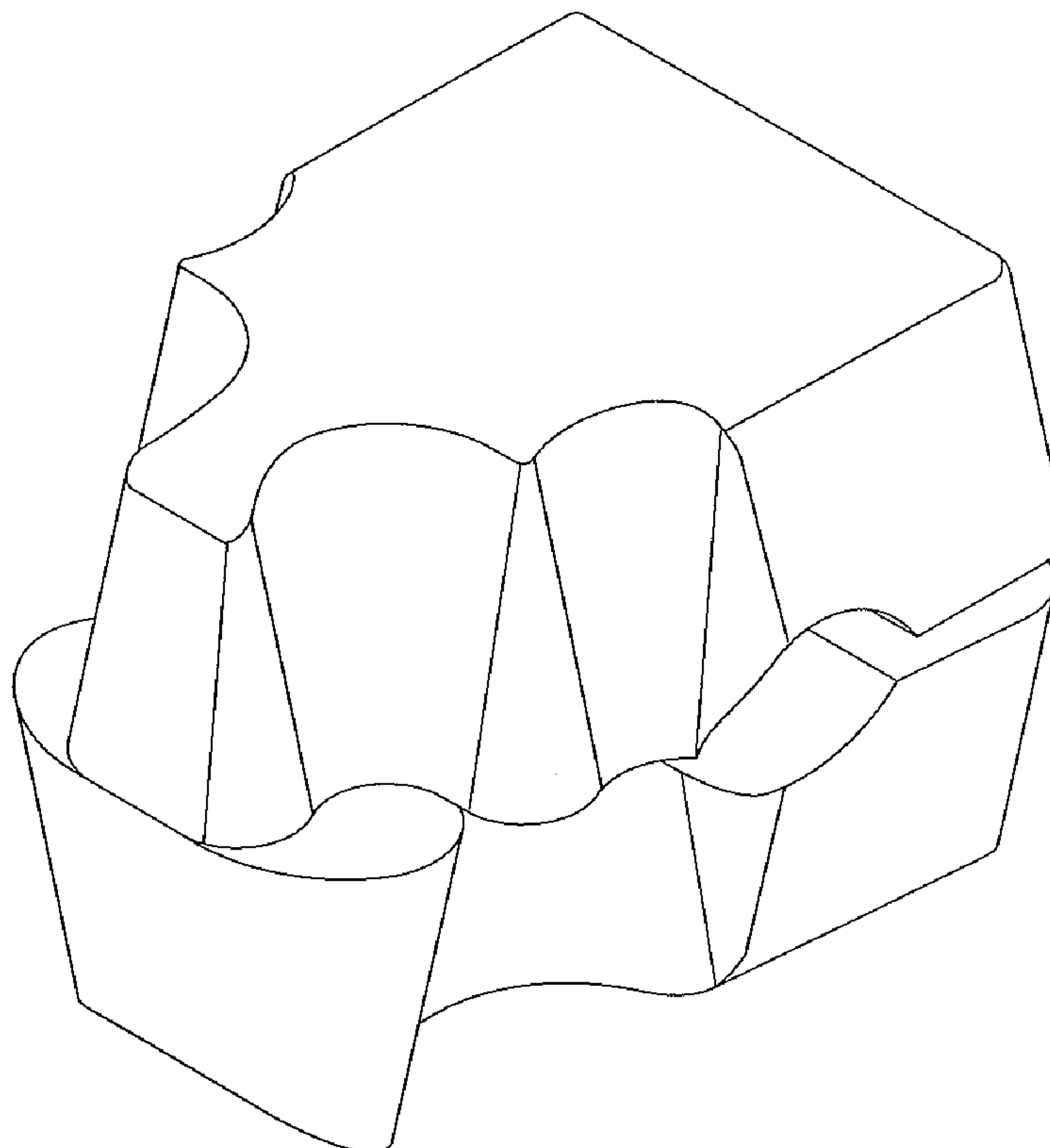
(57) **CLAIM**

I claim the ornamental design for a zipper tooth, as shown.

DESCRIPTION

FIG. 1 is a perspective view of an embodiment of a zipper tooth showing my new design;
FIG. 2 is another perspective view of the embodiment;
FIG. 3 is a right side elevational view of the embodiment;
FIG. 4 is a top plan view of the embodiment;
FIG. 5 is a front elevational view of the embodiment;
FIG. 6 is a bottom plan view of the embodiment;
FIG. 7 is a left side elevational view of the embodiment; and,
FIG. 8 is a rear elevational view of the embodiment.

1 Claim, 5 Drawing Sheets



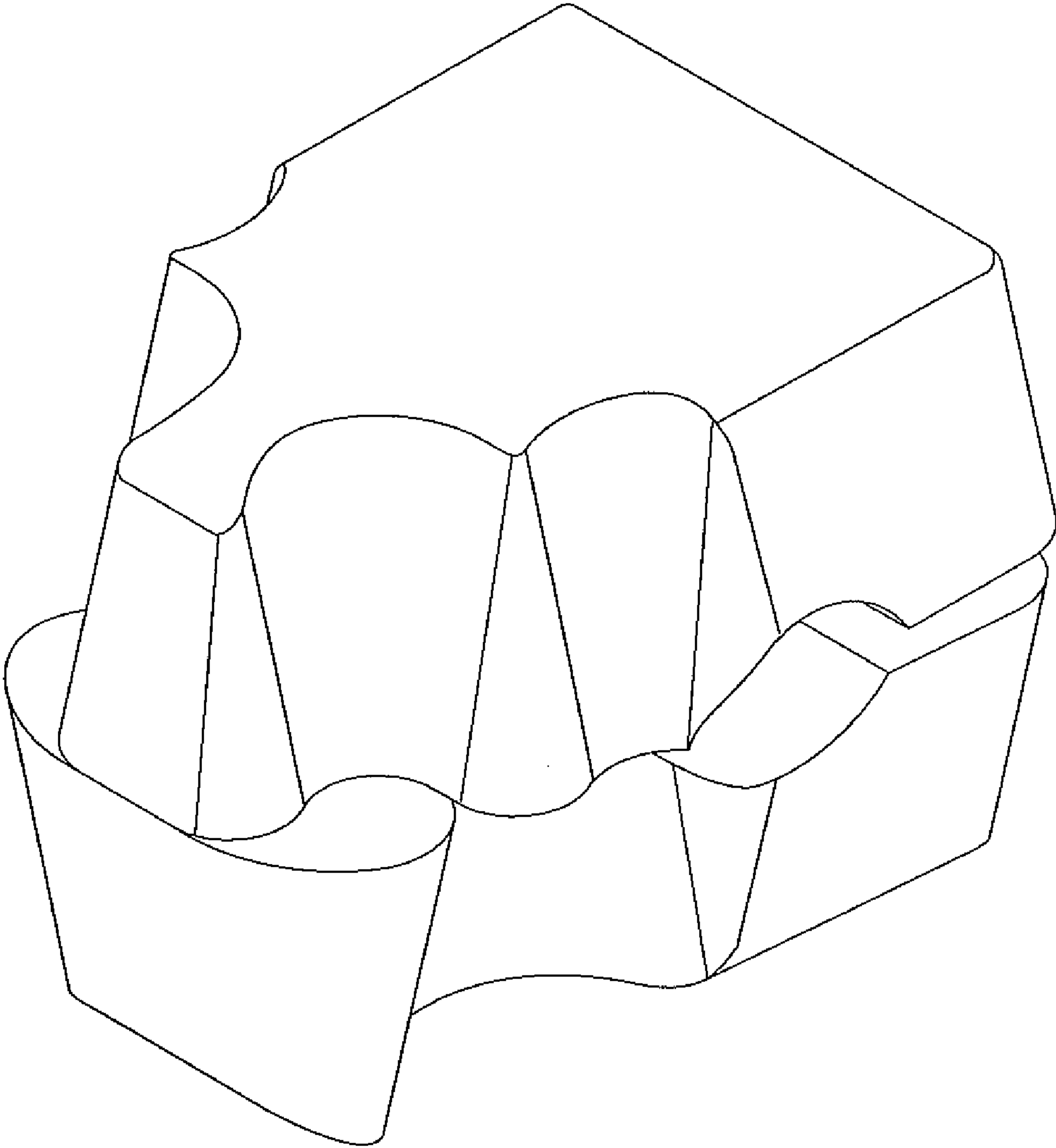


FIG. 1

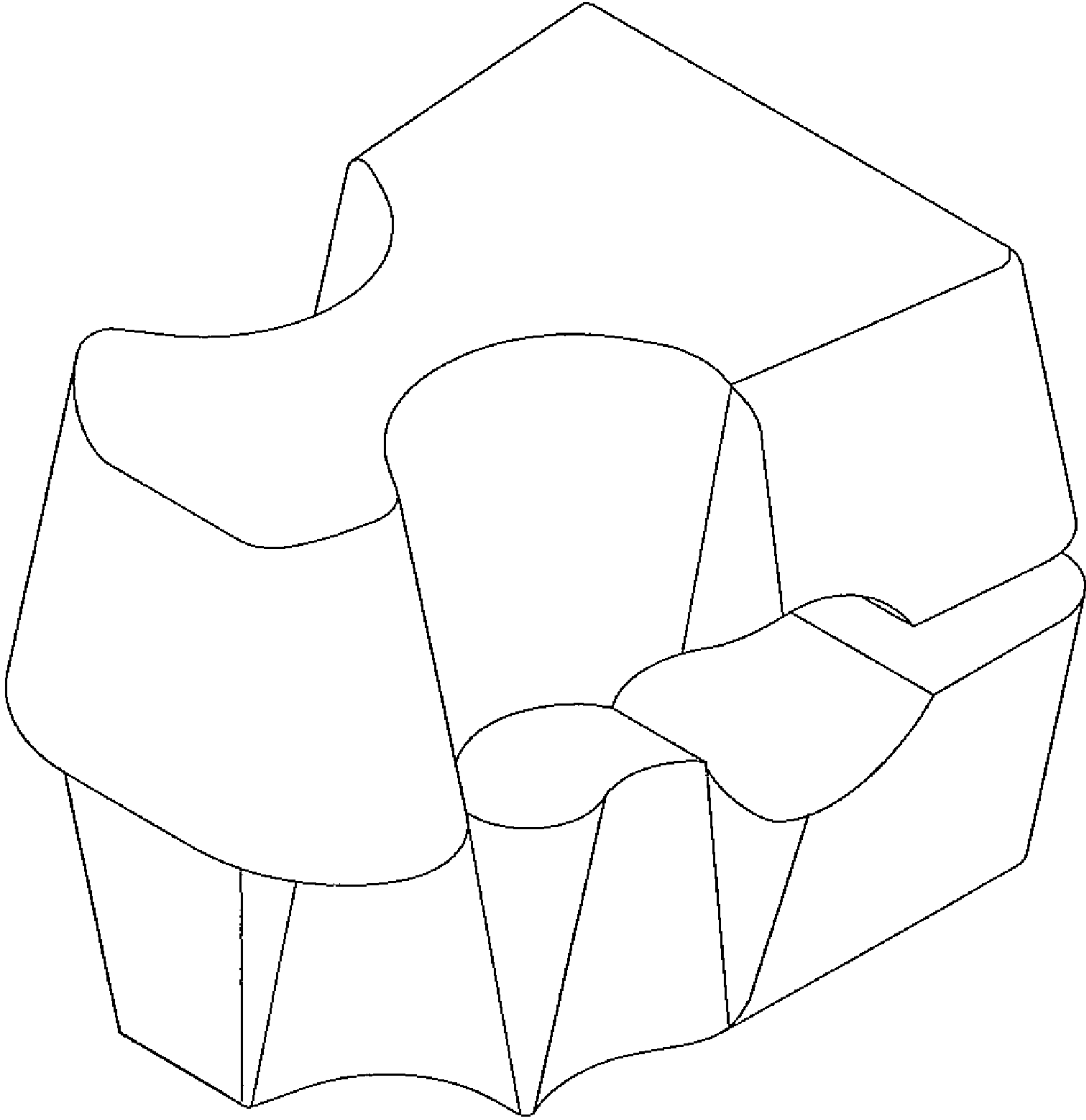


FIG. 2

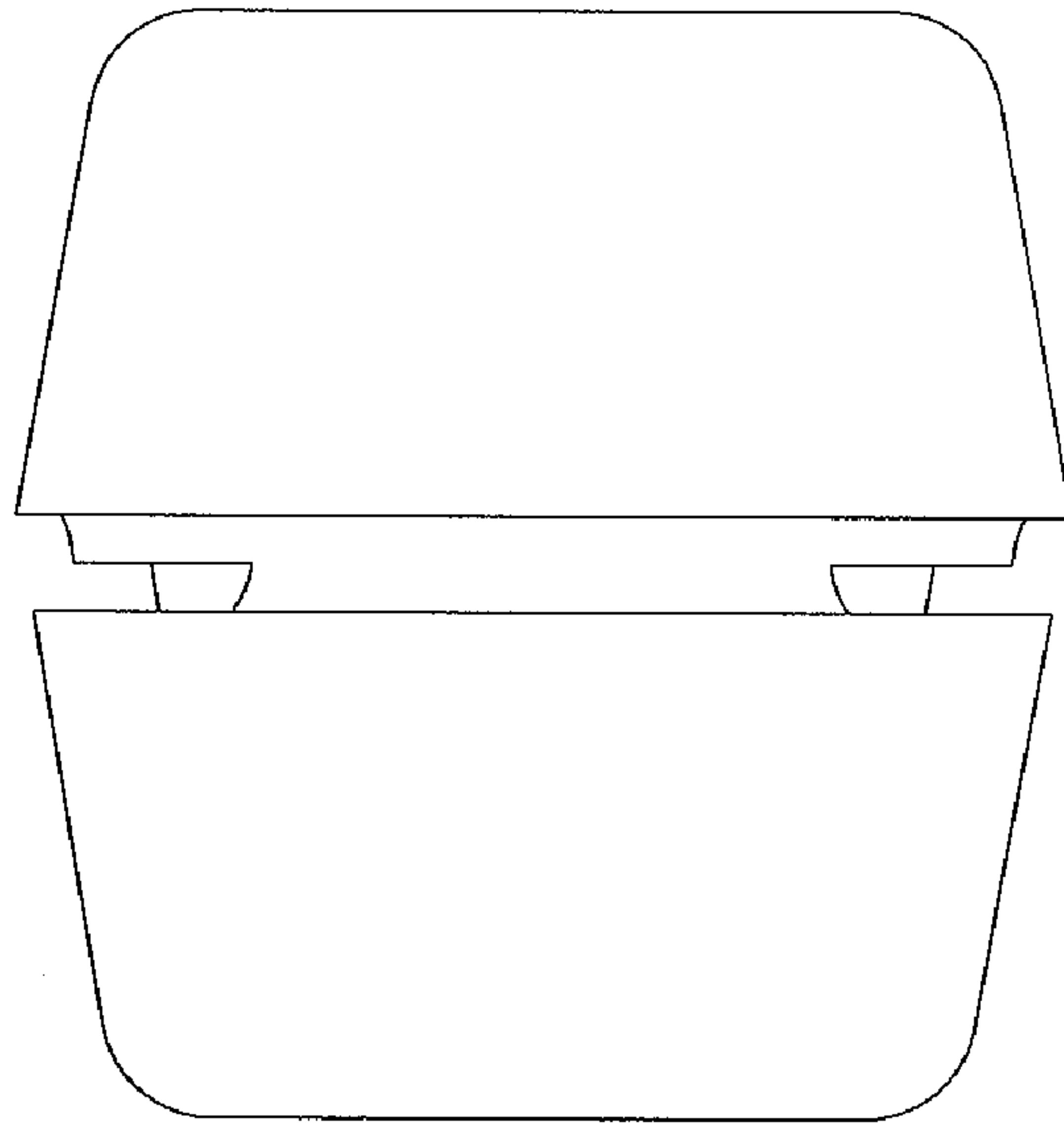


FIG. 3

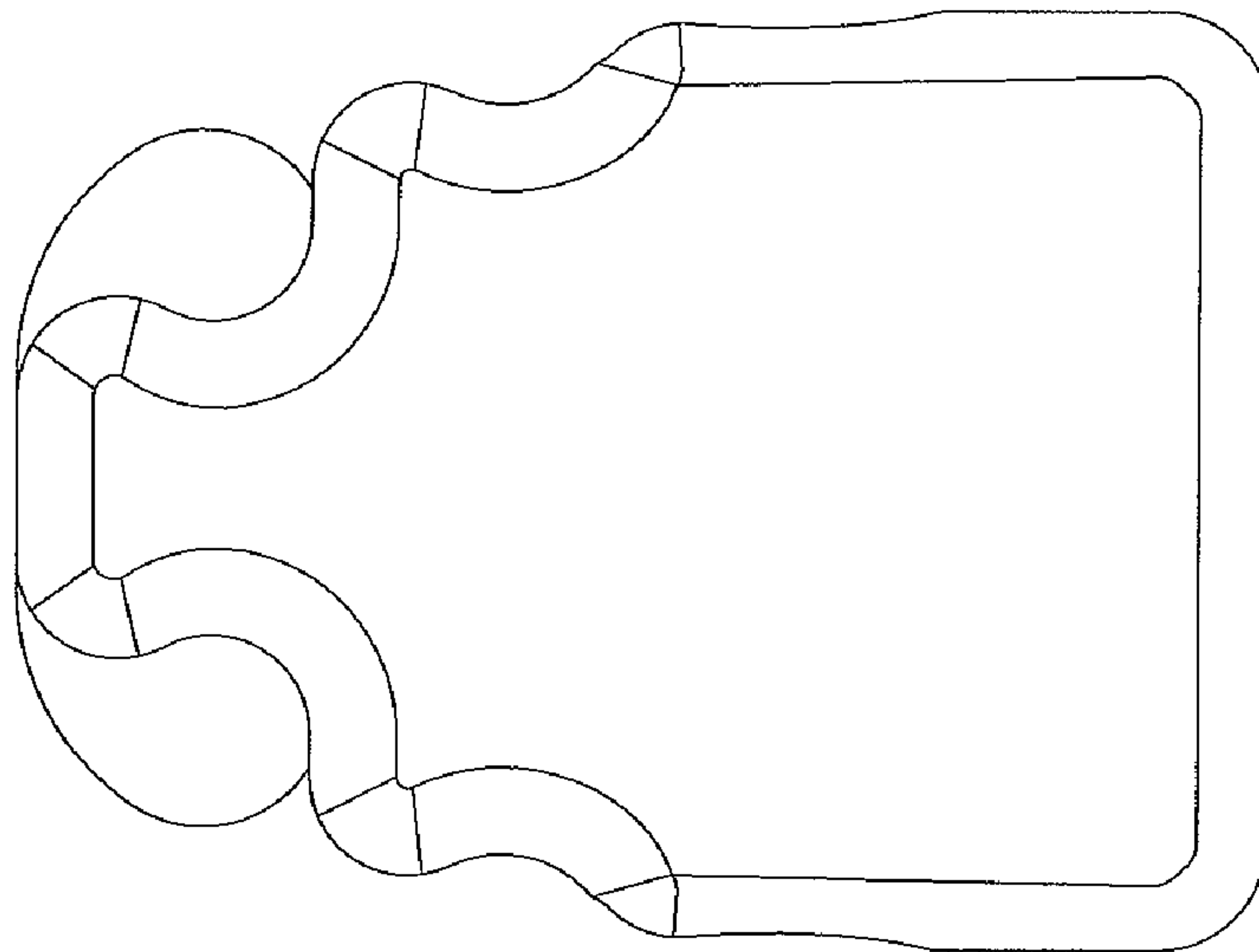


FIG. 4

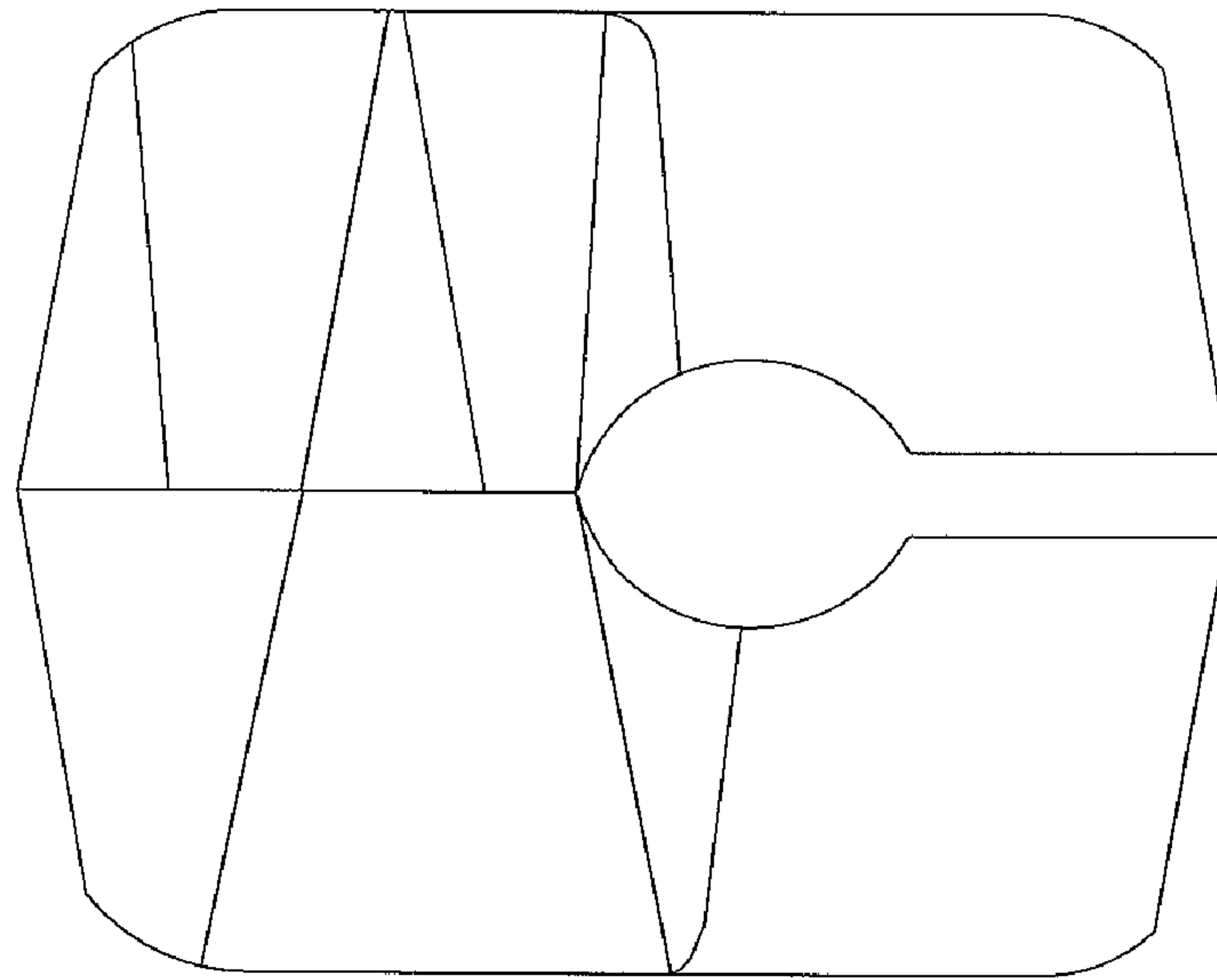


FIG. 5

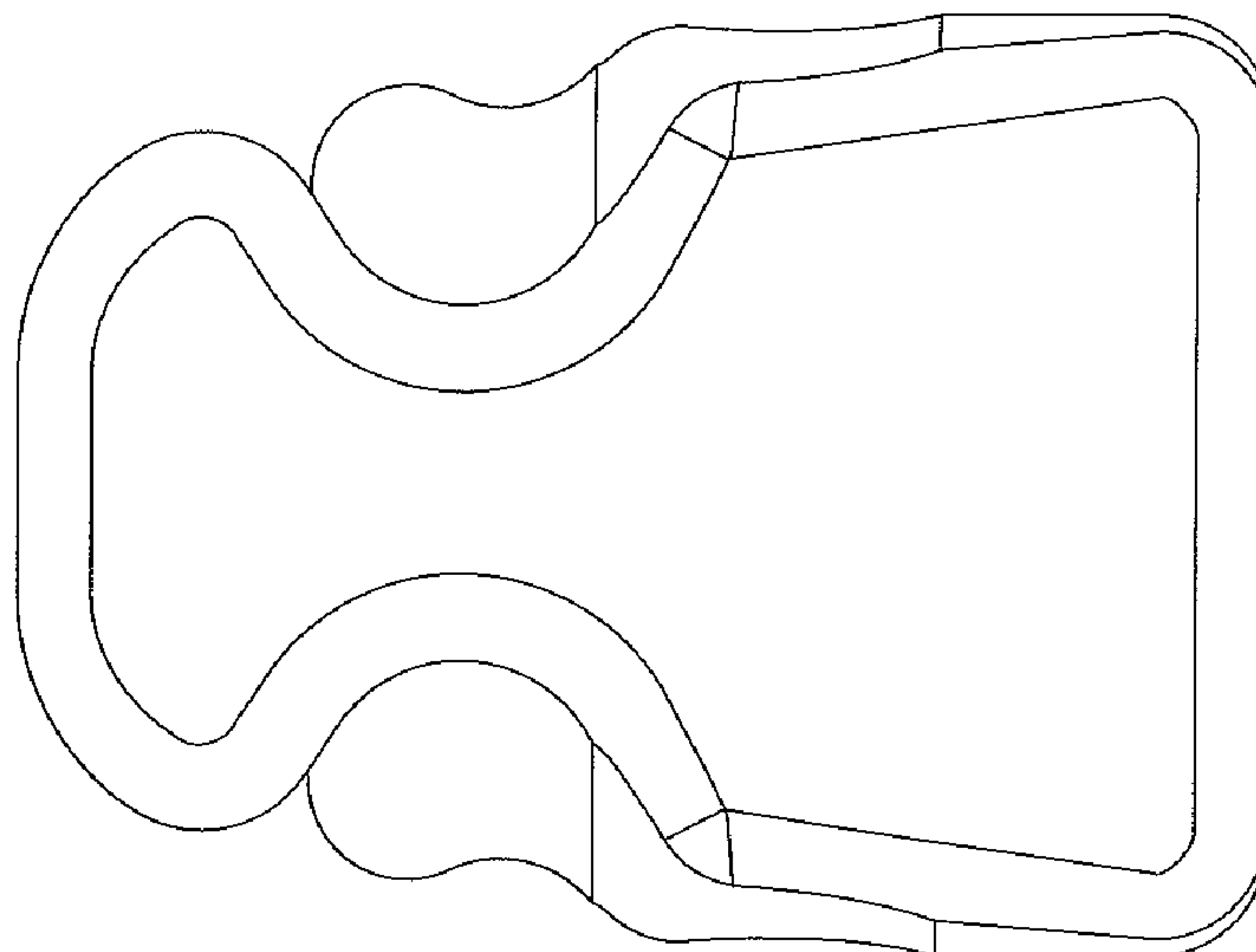


FIG. 6

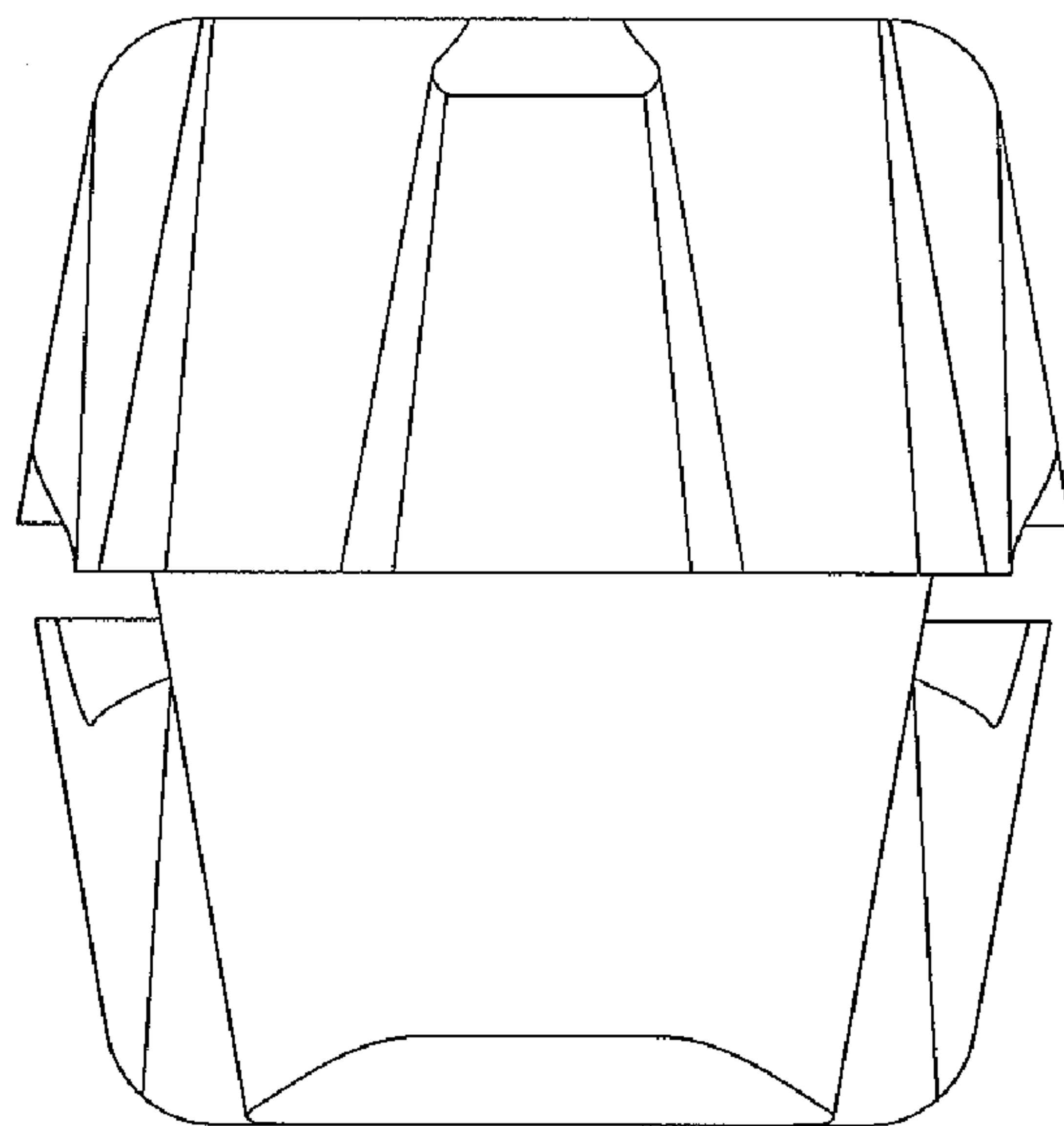


FIG. 7

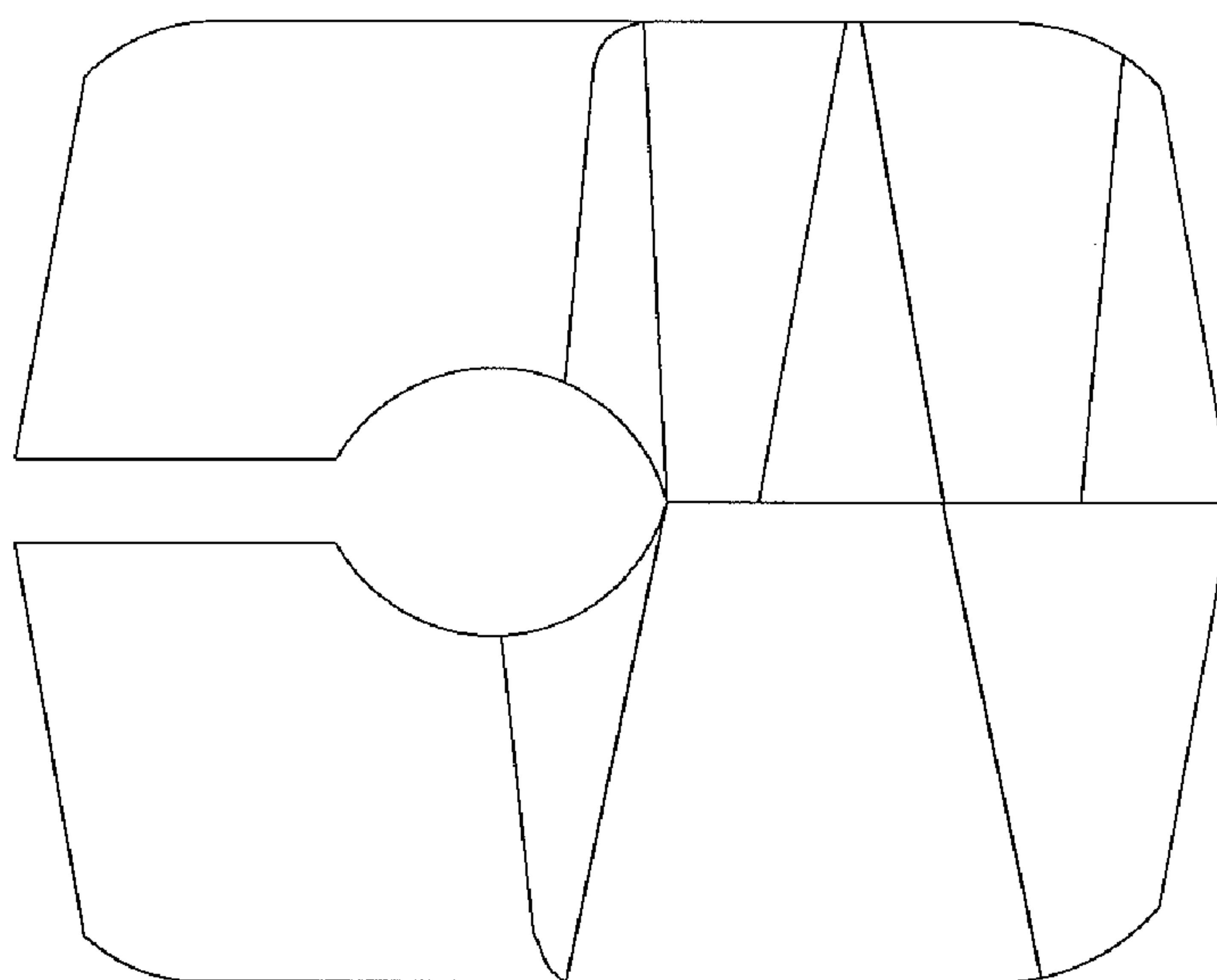


FIG. 8