



US00D657285S

(12) **United States Design Patent**
Tam

(10) **Patent No.:** **US D657,285 S**
(45) **Date of Patent:** **** Apr. 10, 2012**

(54) **TROPHY PEDESTAL**

(75) Inventor: **Yi Choi Tam**, Kowloon (HK)

(73) Assignee: **Tropyland, Ltd.**, San Po Kong,
Kowloon (HK)

(**) Term: **14 Years**

(21) Appl. No.: **29/367,104**

(22) Filed: **Aug. 3, 2010**

(30) **Foreign Application Priority Data**

Mar. 16, 2010 (CA) 134534

(51) **LOC (9) Cl.** **11-02**

(52) **U.S. Cl.** **D11/164**

(58) **Field of Classification Search** D11/131,
D11/157, 158-164; 428/542.2, 542.4, 542.6,
428/913.3, 7, 15, 16, 31; 248/127, 158
See application file for complete search history.

(56) **References Cited**

U.S. PATENT DOCUMENTS

D22,165 S * 1/1893 Librowicz D11/164
D92,051 S * 4/1934 Davis D11/164
D150,744 S * 8/1948 Williams D11/164
4,323,630 A * 4/1982 Mackey et al. 428/542.4
5,322,739 A * 6/1994 Stagl 428/542.4

D356,282 S * 3/1995 Tam D11/164
D398,260 S * 9/1998 Tam D11/164
D527,682 S * 9/2006 Tam D11/164

* cited by examiner

Primary Examiner — Holly Baynham

Assistant Examiner — Michelle E Wilson

(74) *Attorney, Agent, or Firm* — Calfee, Halter & Griswold
LLP

(57) **CLAIM**

I claim the ornamental designs for trophy pedestals, as shown
and described.

DESCRIPTION

FIG. 1 is a front/right/top perspective view of a trophy pedestal, for which a rear/left/top perspective view would be identical;

FIG. 2 is a left side elevational view thereof, for which right side, front, and rear elevational views would be identical;

FIG. 3 is a front elevational view thereof;

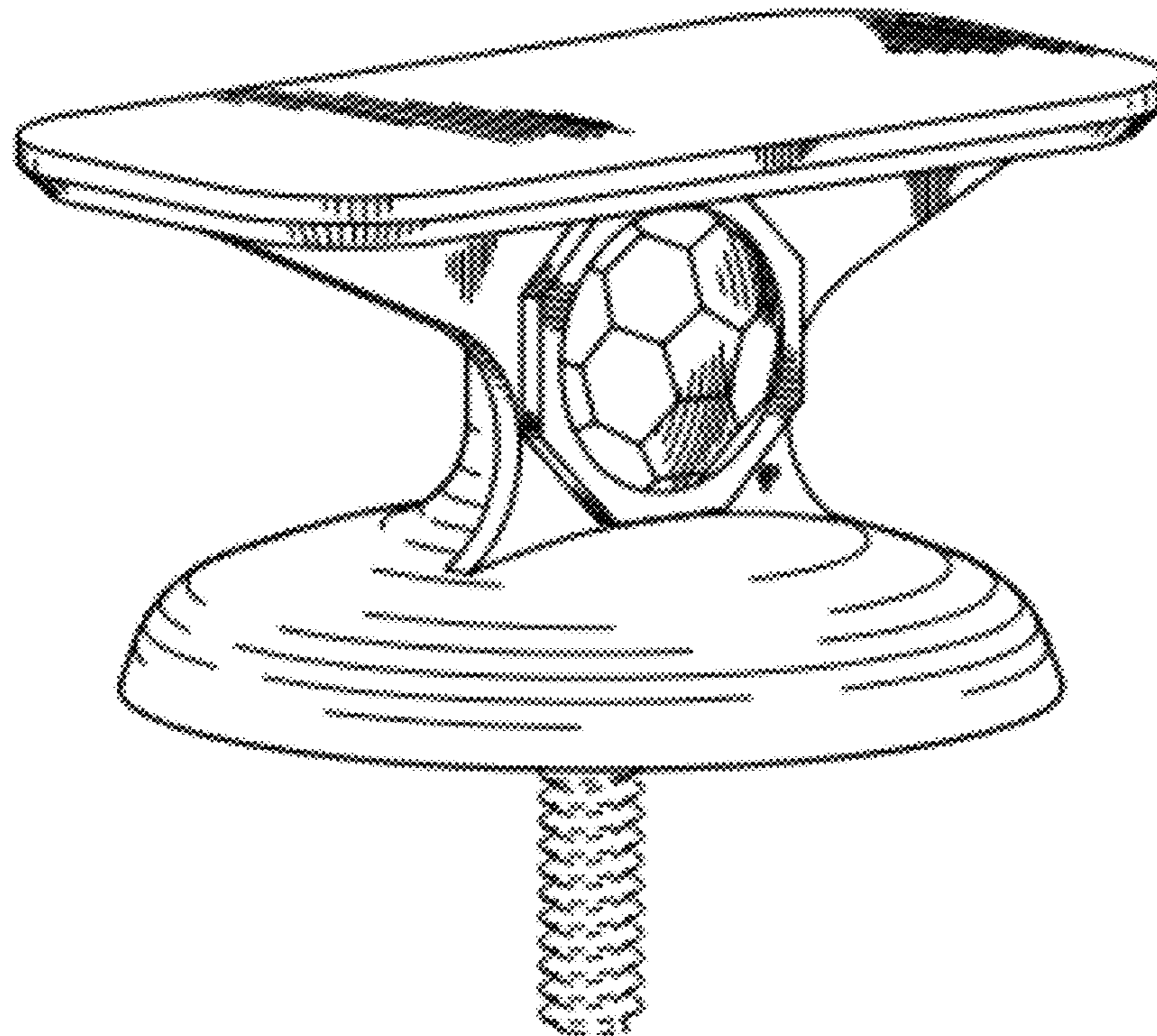
FIG. 4 is a rear elevational view thereof;

FIG. 5 is a top plan view thereof; and,

FIG. 6 is a bottom plan view thereof.

The broken lines immediately adjacent the shaded areas represent the bounds of the claim and all other broken lines showing the bottom of the trophy pedestal are for the purposes of illustrating environment. None of the broken lines form a part of the claimed design.

1 Claim, 1 Drawing Sheet



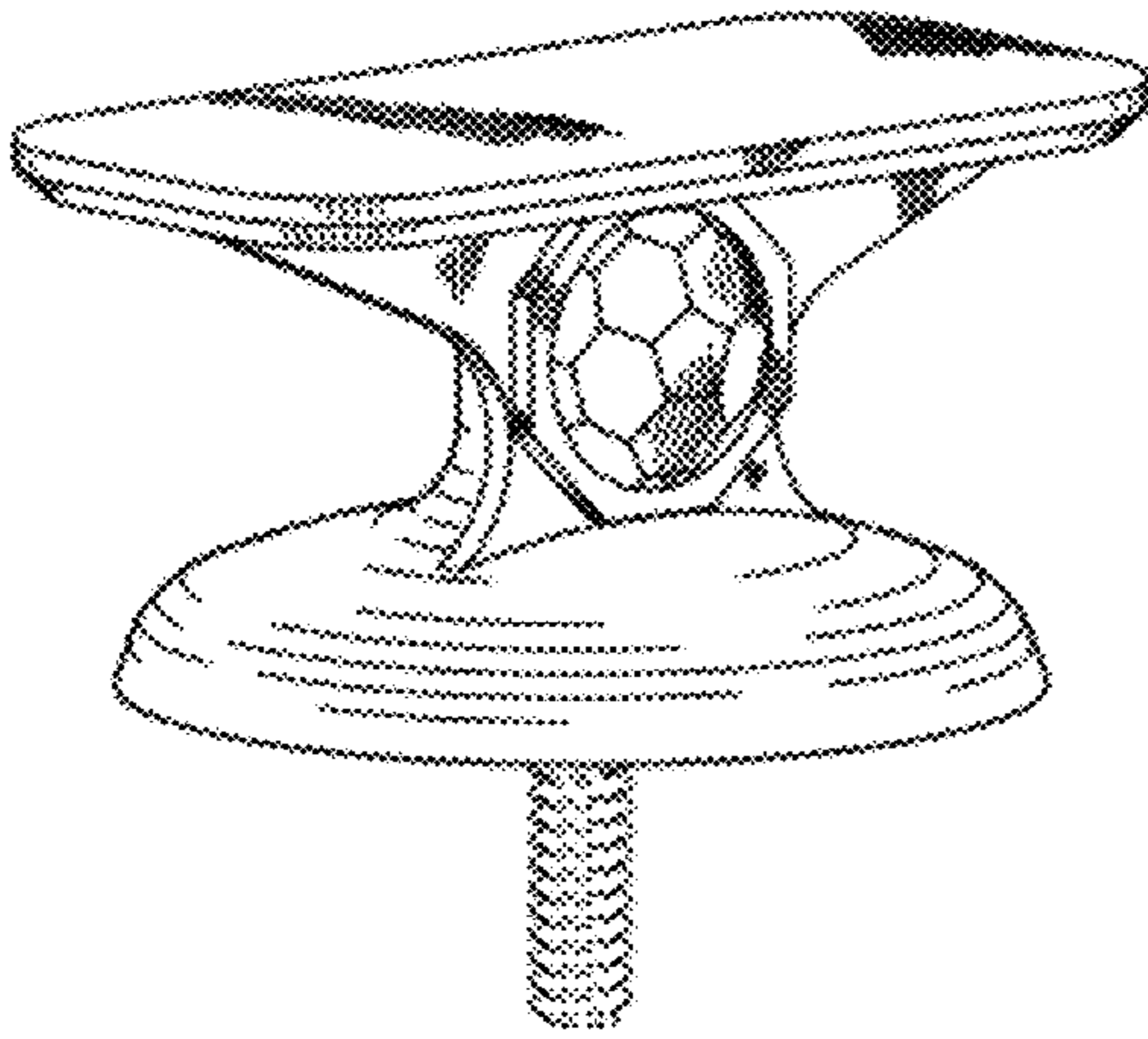


Fig. 1

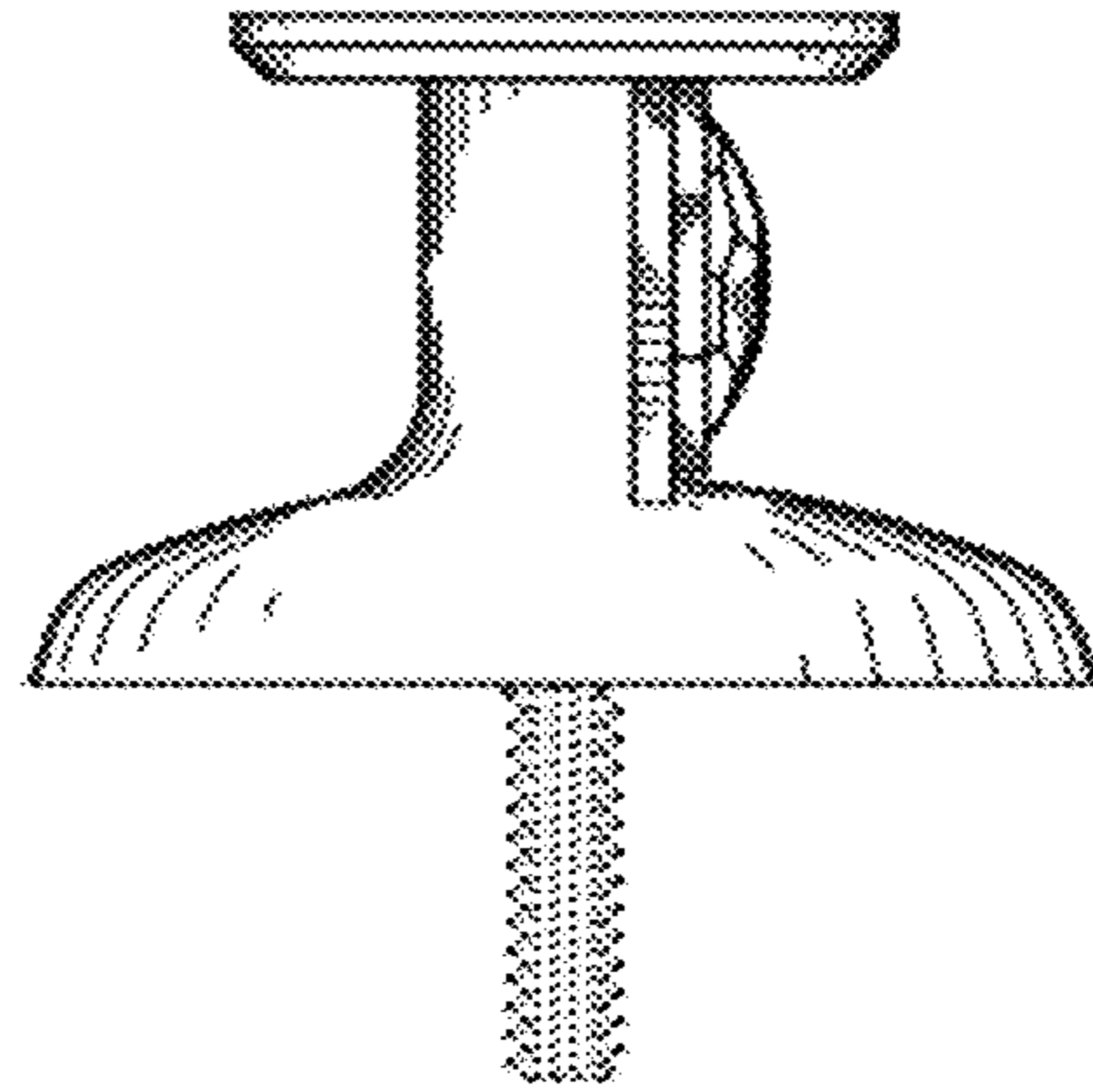


Fig. 2

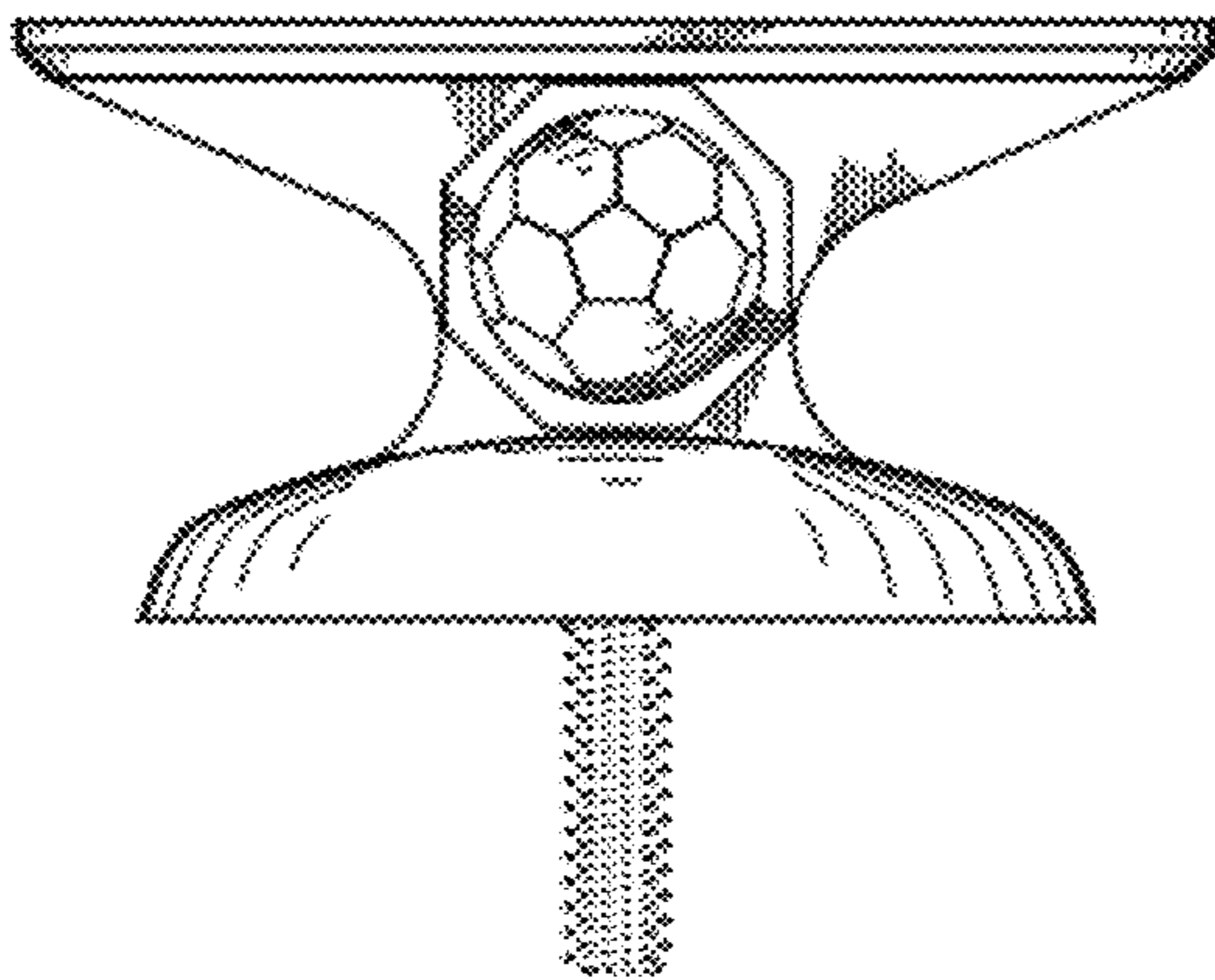


Fig. 3

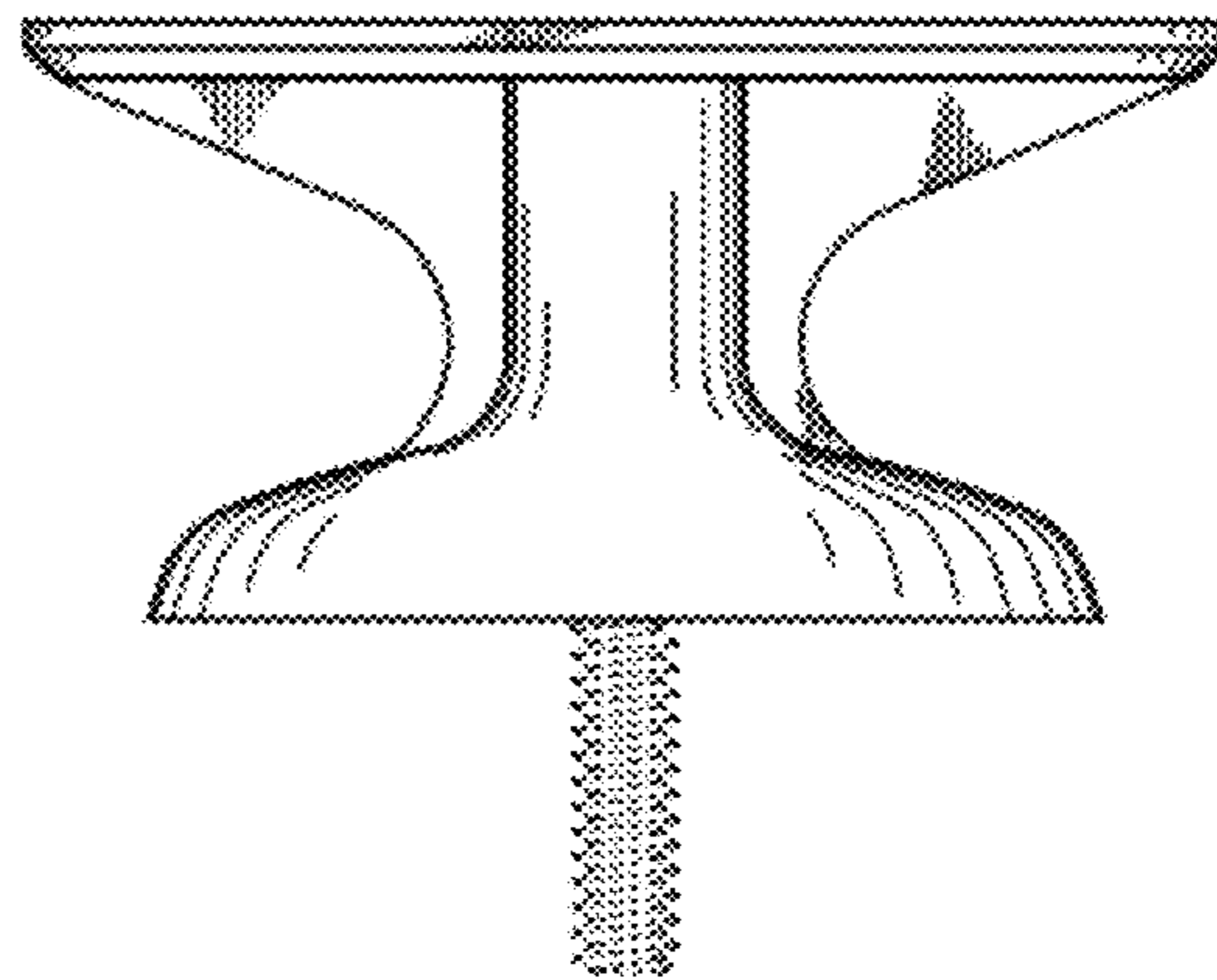


Fig. 4

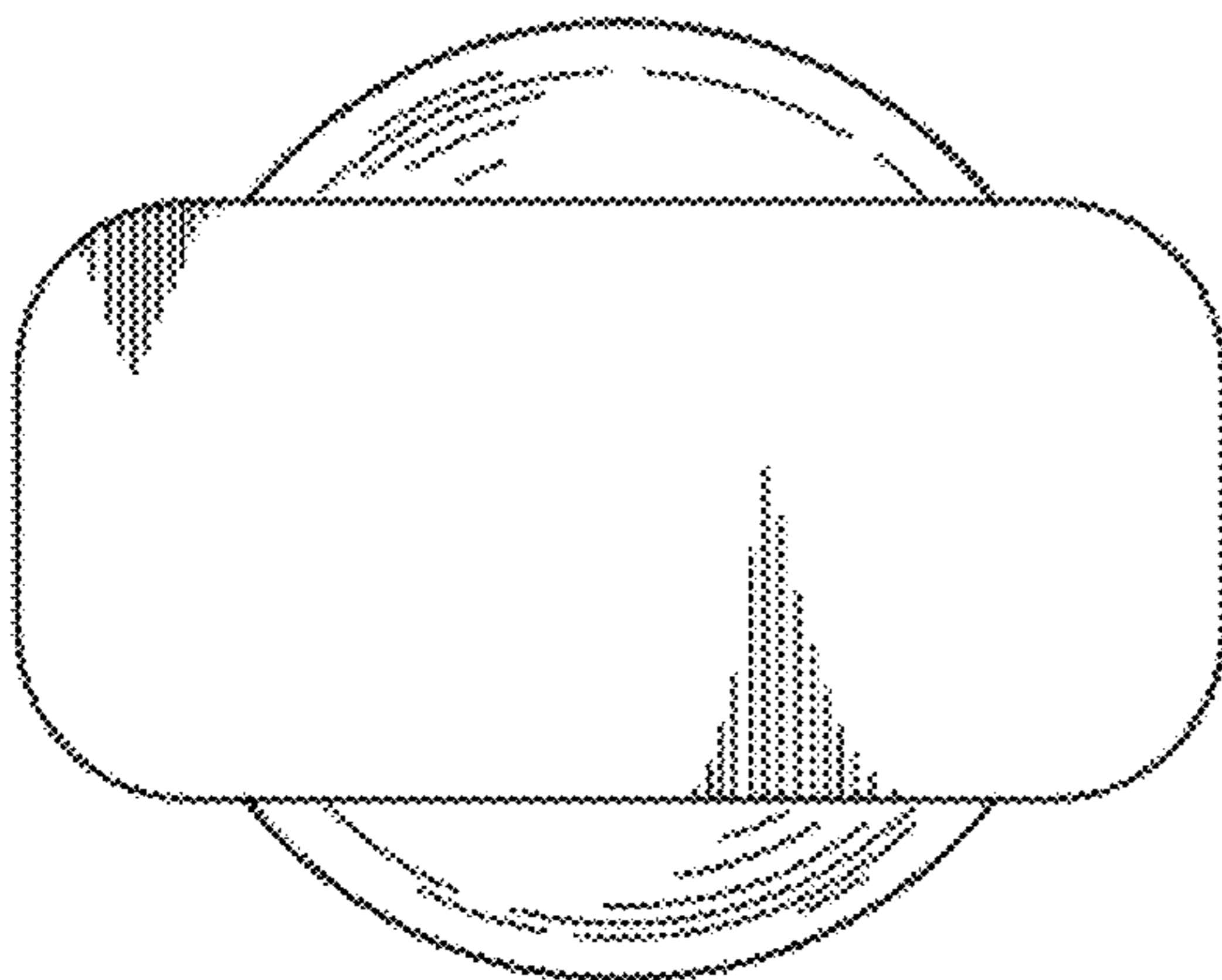


Fig. 5

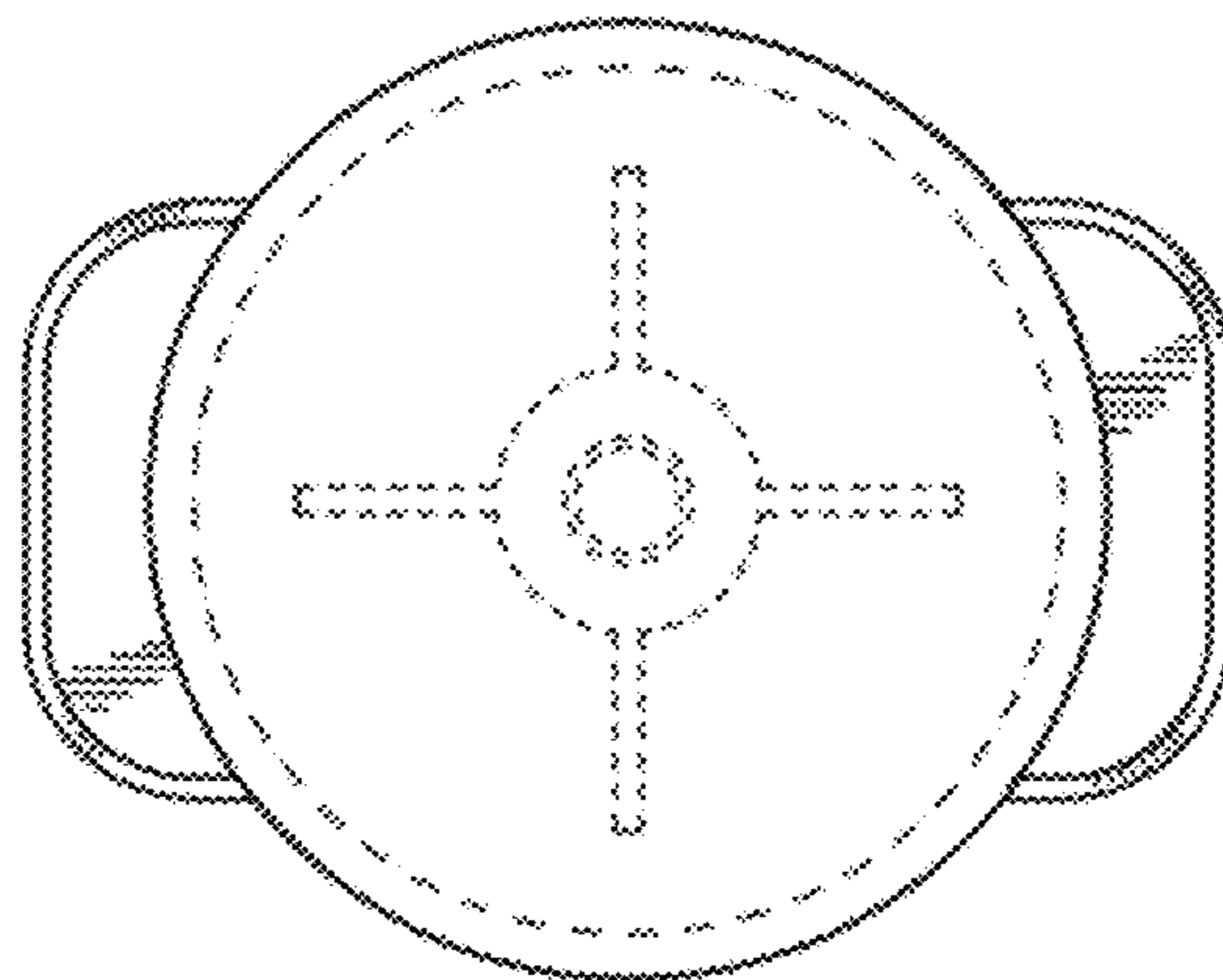


Fig. 6

UNITED STATES PATENT AND TRADEMARK OFFICE
CERTIFICATE OF CORRECTION

PATENT NO. : D657,285 S
APPLICATION NO. : 29/367104
DATED : April 10, 2012
INVENTOR(S) : Yi Choi Tam

Page 1 of 1

It is certified that error appears in the above-identified patent and that said Letters Patent is hereby corrected as shown below:

On the cover of the patent, after “(73) Assignee:”, please delete “Tropyland” and insert
-- Trophyland --.

On the cover of the patent, under “Description” of Fig. 2, after “for which” please delete “fight” and
insert -- right --.

Signed and Sealed this
Thirty-first Day of July, 2012



David J. Kappos
Director of the United States Patent and Trademark Office