



US00D657276S

(12) **United States Design Patent**  
**Brose et al.**

(10) **Patent No.:** **US D657,276 S**  
(45) **Date of Patent:** **\*\* Apr. 10, 2012**

(54) **MANOMETER**

(75) Inventors: **Jens Brose**, Ottmarsheim (DE);  
**Alexander Tschan**, Kornwestheim (DE)

(73) Assignee: **SATA GmbH & Co. KG**, Kornwestheim (DE)

(\*\*) Term: **14 Years**

(21) Appl. No.: **29/371,080**

(22) Filed: **Oct. 13, 2010**

(30) **Foreign Application Priority Data**

Apr. 17, 2010 (DE) ..... 40 2010 002 202

(51) **LOC (9) Cl.** ..... **10-04**

(52) **U.S. Cl.** ..... **D10/83**

(58) **Field of Classification Search** ..... D10/83-85;  
D24/165, 186; 73/1.61, 299, 701, 705, 713,  
73/732, 747, 749, 756; 137/86, 199, 251.1,  
137/592, 625.12; 138/111, 118; 250/231.19,  
250/341.1, 357.1, 577; 604/251

See application file for complete search history.

(56) **References Cited**

**U.S. PATENT DOCUMENTS**

3,420,106 A \* 1/1969 Keller et al. .... 73/708  
3,435,683 A \* 4/1969 Keller et al. .... 73/715  
4,967,600 A \* 11/1990 Keller ..... 73/727  
2006/0081060 A1\* 4/2006 Forster ..... 73/732

\* cited by examiner

*Primary Examiner* — Antoine D Davis

(74) *Attorney, Agent, or Firm* — Walter Ottesen; Christian Ottesen

(57) **CLAIM**

The ornamental design for a manometer, as shown and described.

**DESCRIPTION**

FIG. 1 is a perspective view of a manometer of our new design;

FIG. 2 is a front elevation view of the manometer of FIG. 1;

FIG. 3 is a rear elevation view of the manometer shown in FIG. 1;

FIG. 4 is a right side elevation view of the manometer shown in FIG. 1;

FIG. 5 is a left side elevation view of the manometer shown in FIG. 1;

FIG. 6 is a top plan view of the manometer shown in FIG. 1;

FIG. 7 is a bottom plan view of the manometer shown in FIG. 1;

FIG. 8 is a perspective view of a first alternate embodiment of the manometer shown in FIG. 1;

FIG. 9 is a front elevation view of the manometer shown in FIG. 8;

FIG. 10 is a rear elevation view of the manometer shown in FIG. 8;

FIG. 11 is a right side elevation view of the manometer shown in FIG. 8;

FIG. 12 is a left side elevation view of the manometer shown in FIG. 8;

FIG. 13 is a top plan view of the manometer shown in FIG. 8;

FIG. 14 is a bottom plan view of the manometer shown in FIG. 8;

FIG. 15 is a perspective view of a second alternate embodiment of the manometer shown in FIG. 1;

FIG. 16 is a front elevation view of the manometer shown in FIG. 15;

FIG. 17 is a rear elevation view of the manometer shown in FIG. 15;

FIG. 18 is a right side elevation view of the manometer shown in FIG. 15;

FIG. 19 is a left side elevation view of the manometer shown in FIG. 15;

FIG. 20 is a top plan view of the manometer shown in FIG. 15;

FIG. 21 is a bottom plan view of the manometer shown in FIG. 15;

FIG. 22 is a perspective view of a third alternate embodiment of the manometer shown in FIG. 1;

FIG. 23 is a front elevation view of the manometer shown in FIG. 22;

FIG. 24 is a bottom elevation view of the manometer shown in FIG. 22;

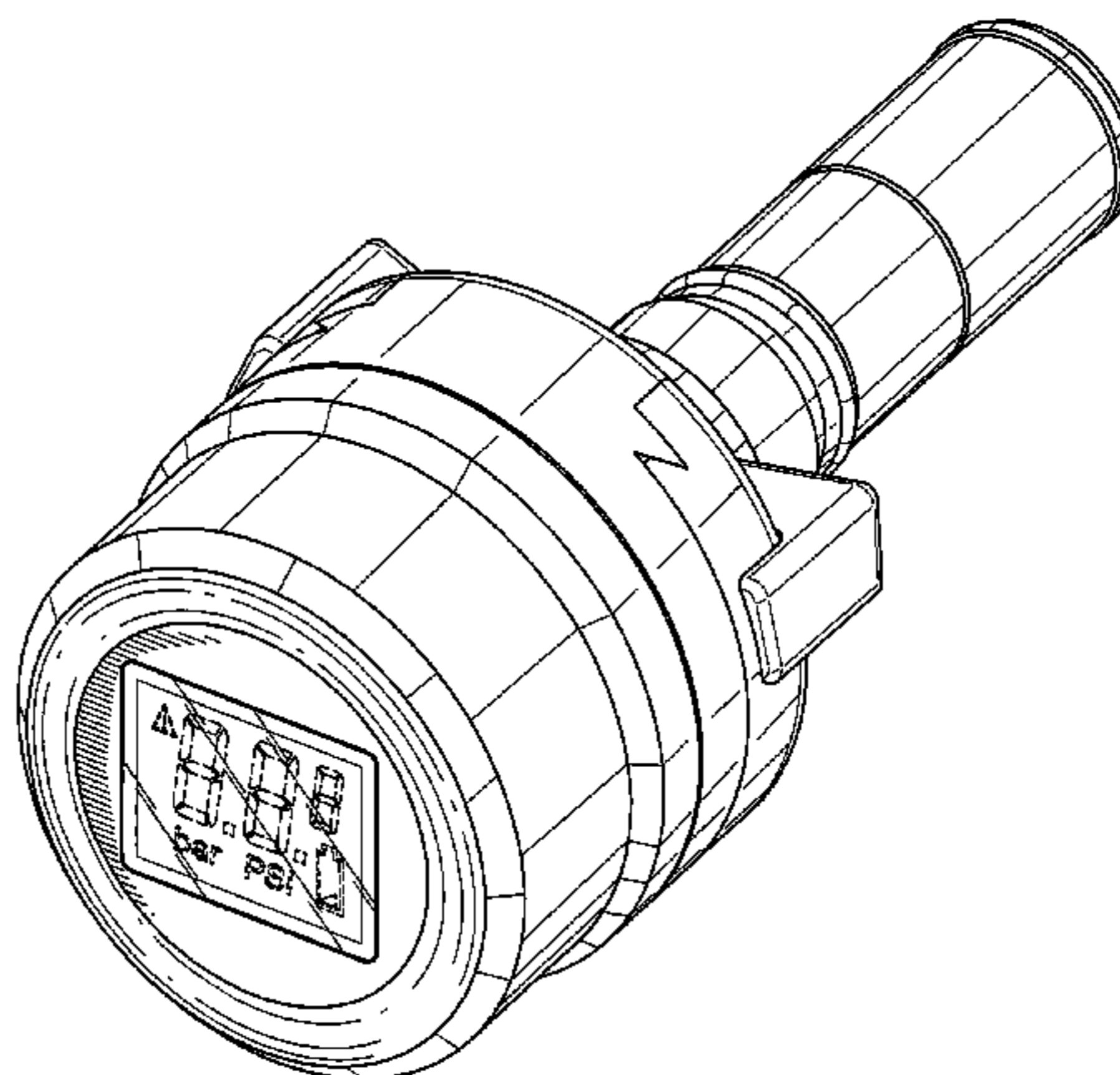
FIG. 25 is a right side elevation view of the manometer shown in FIG. 22;

FIG. 26 is a left side elevation view of the manometer shown in FIG. 22;

FIG. 27 is a top plan view of the manometer shown in FIG. 22;

and, FIG. 28 is a bottom plan view of the manometer shown in FIG. 22.

**1 Claim, 24 Drawing Sheets**



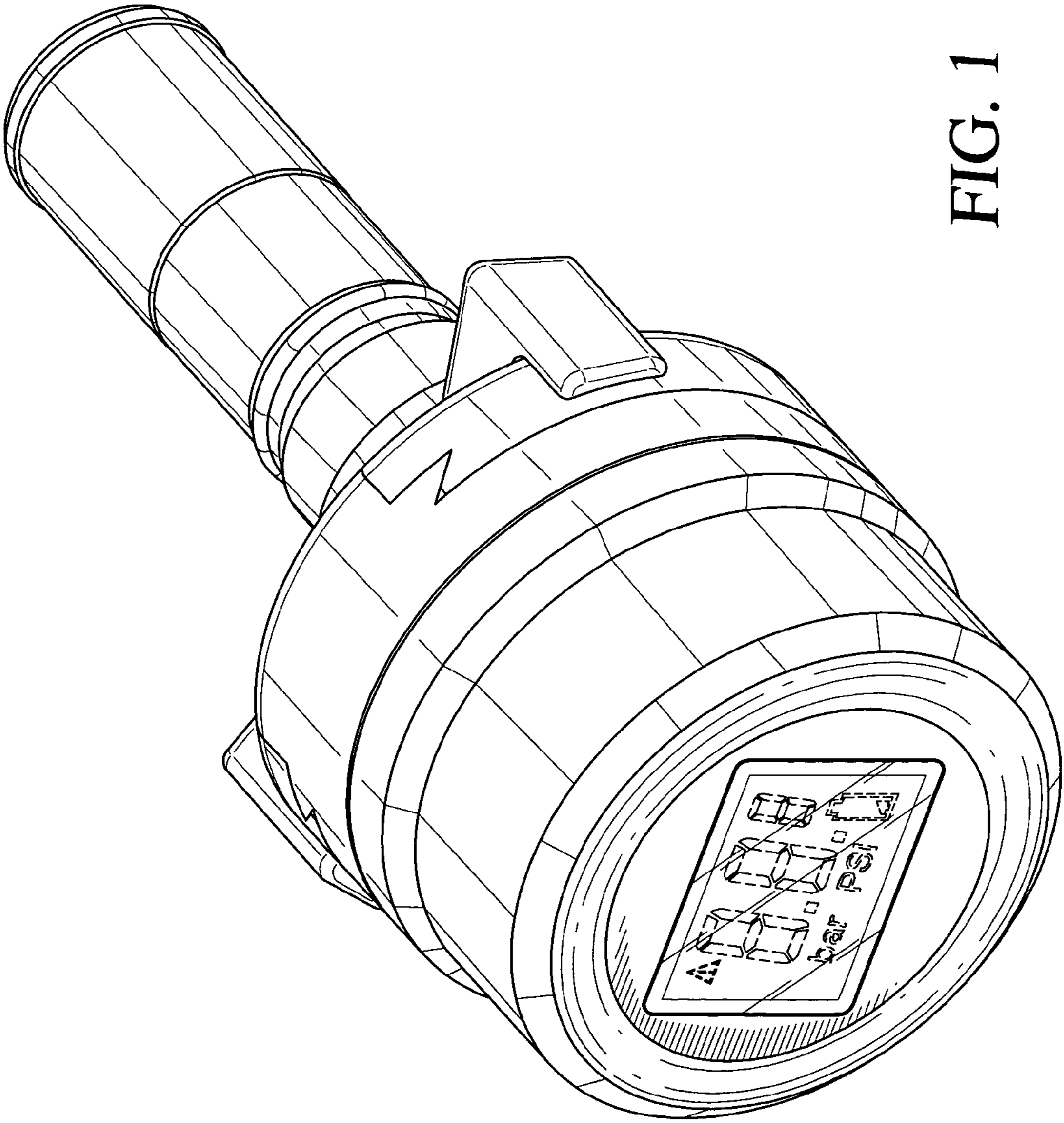


FIG. 1

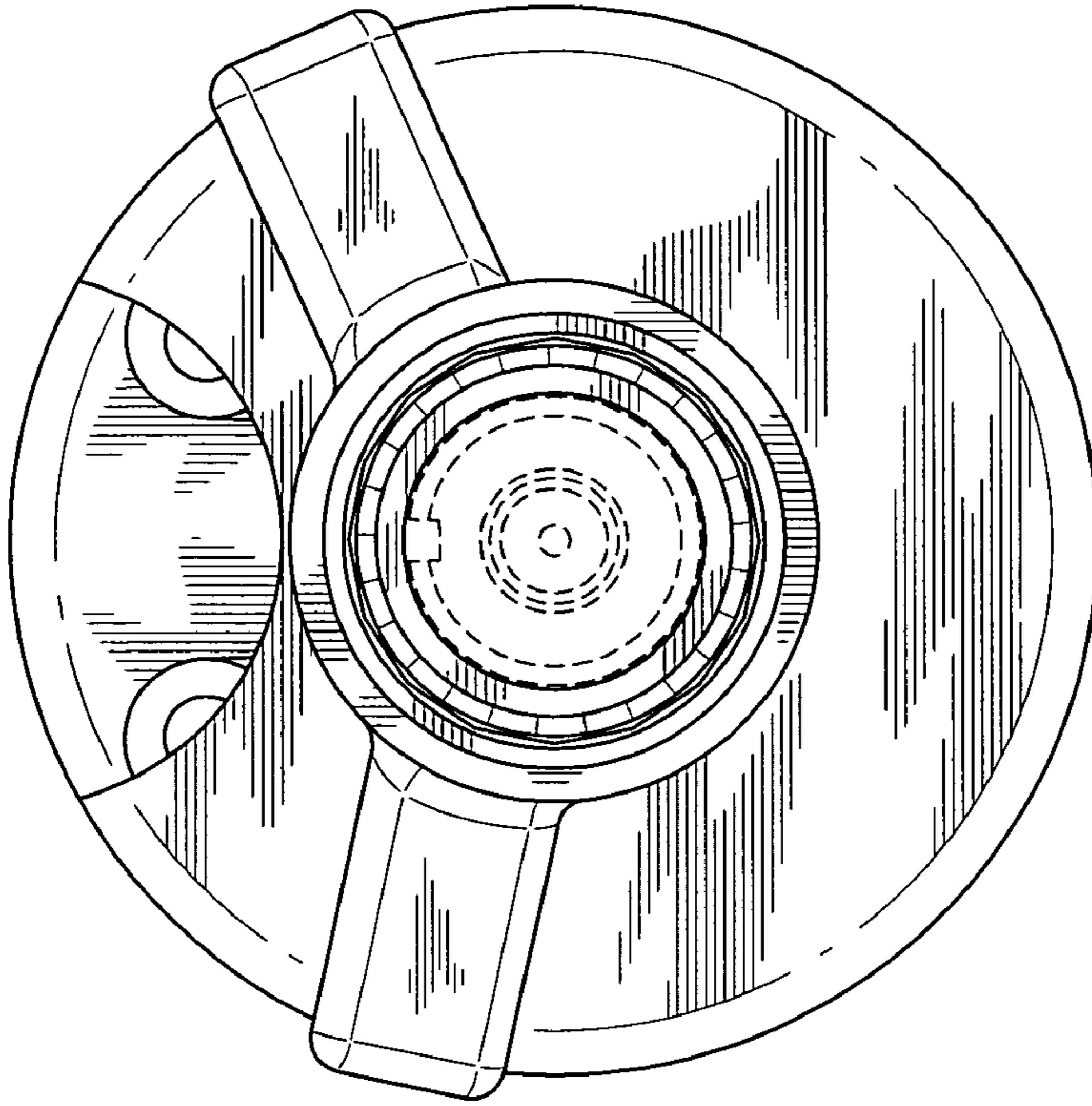


FIG. 3

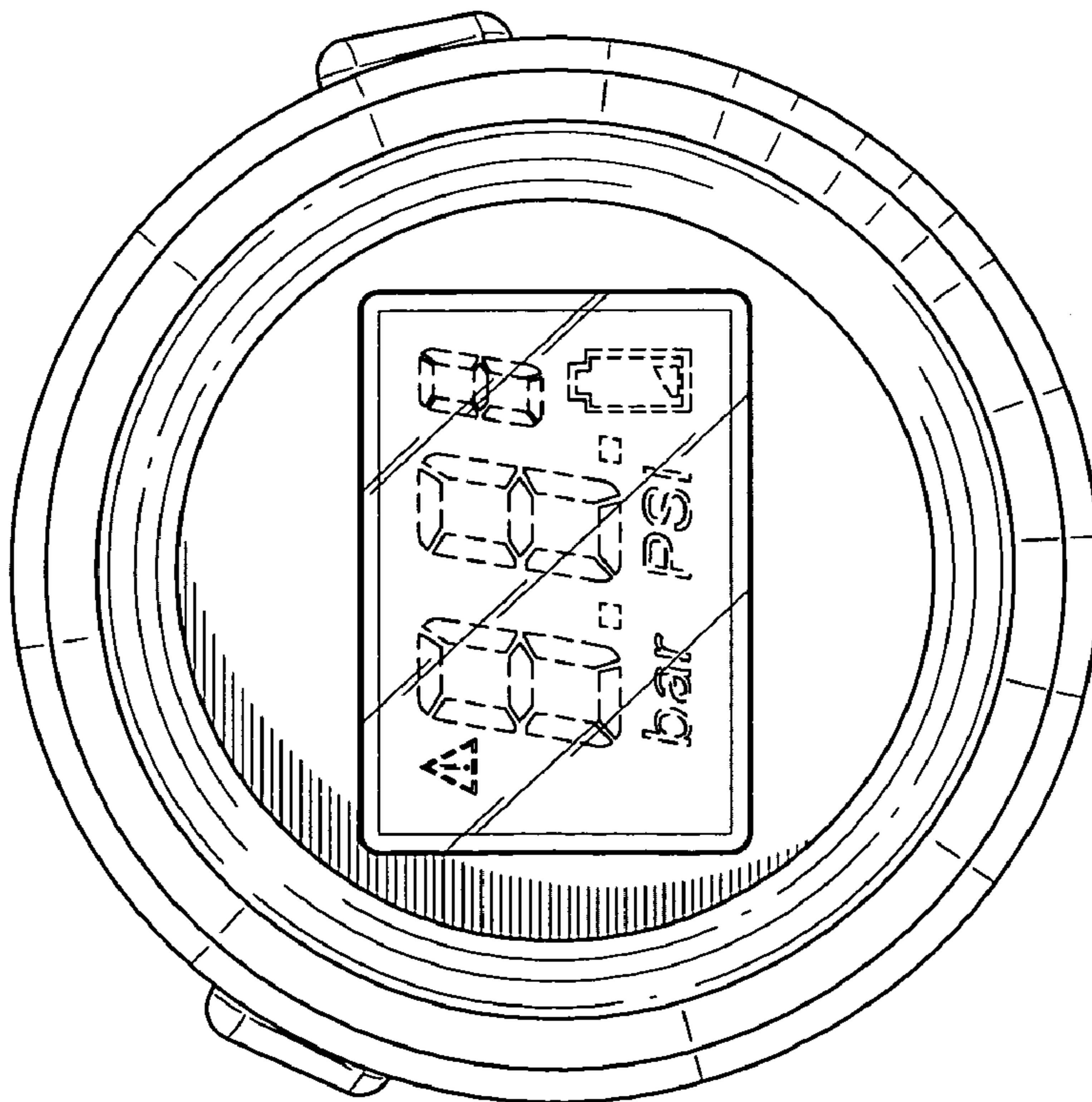


FIG. 2

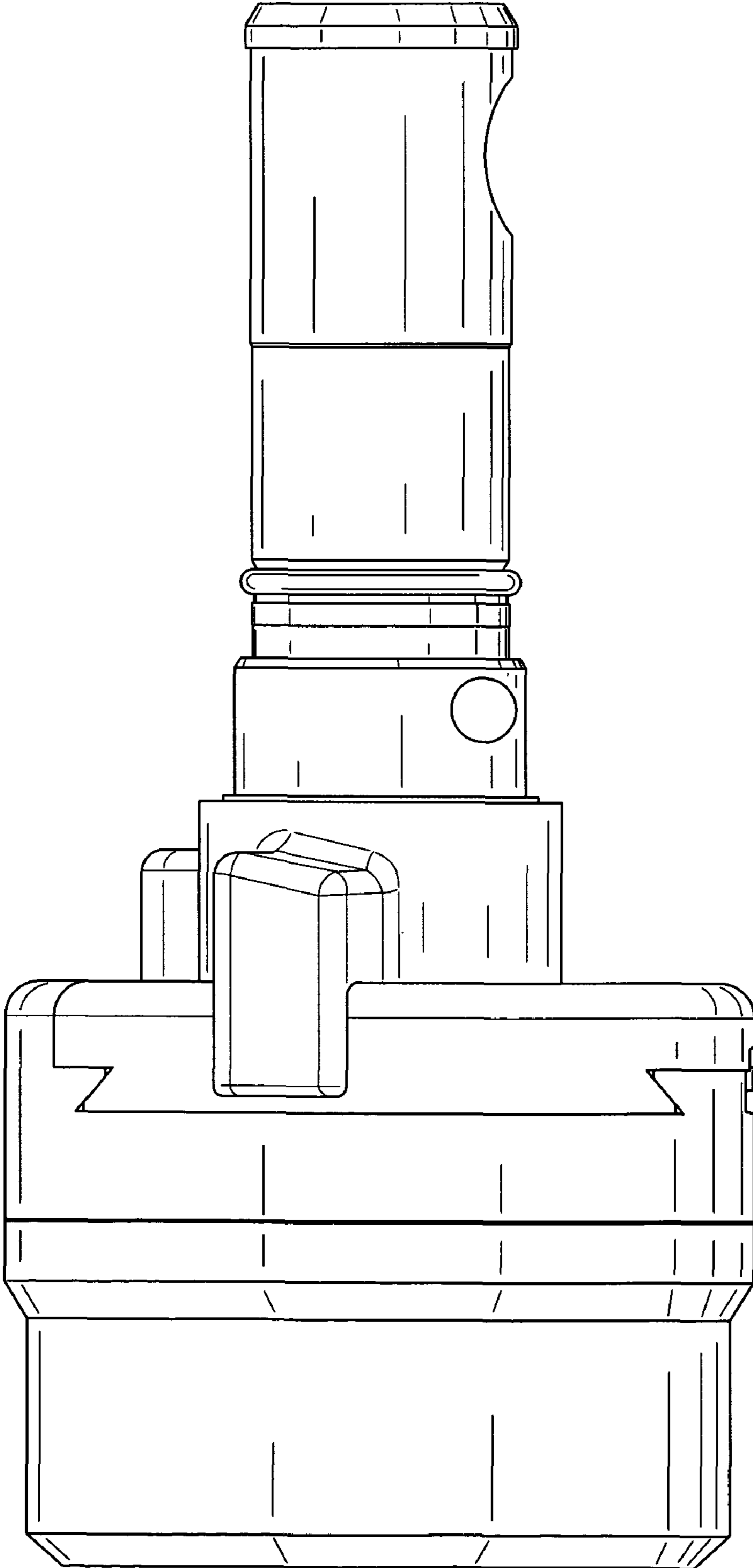


FIG. 4

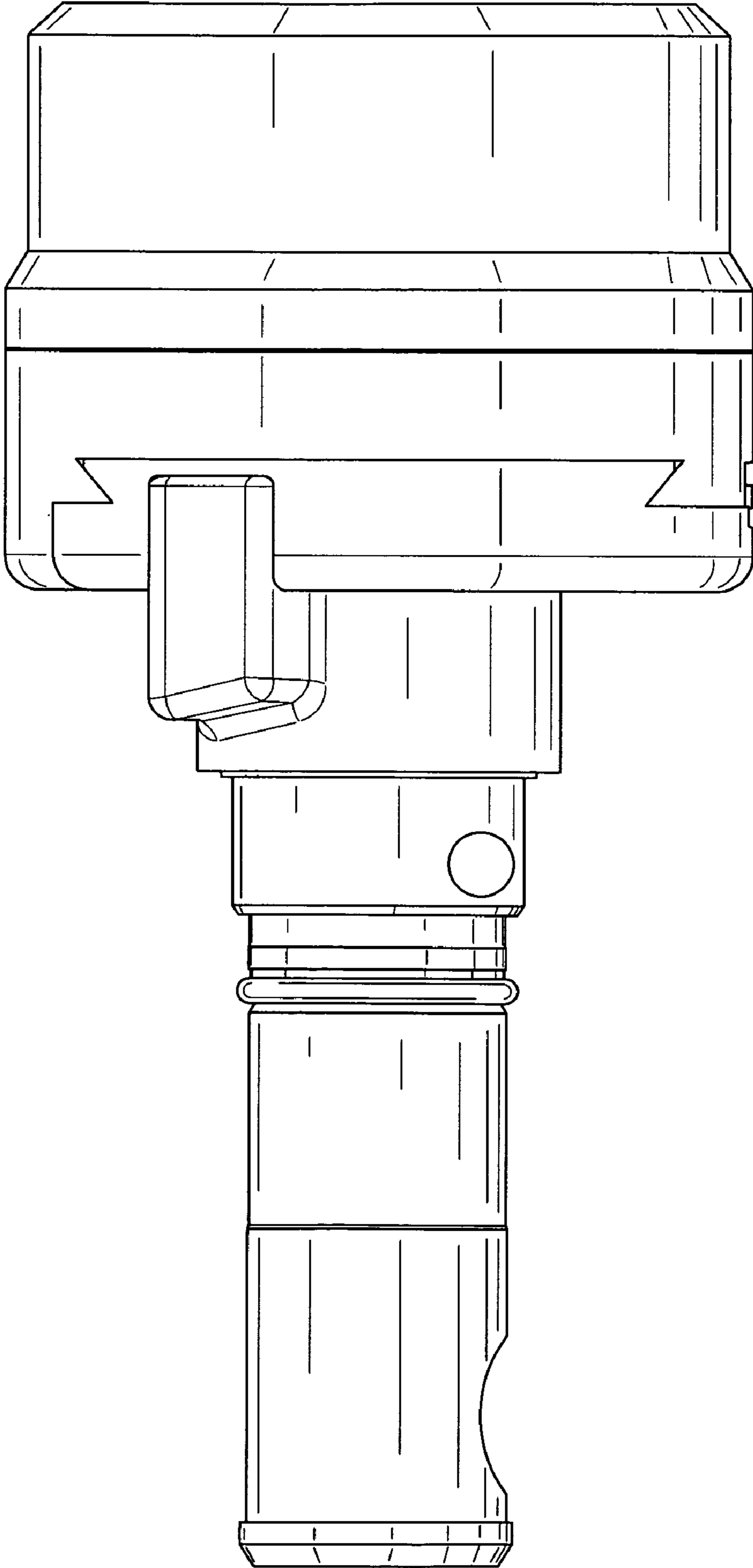


FIG. 5

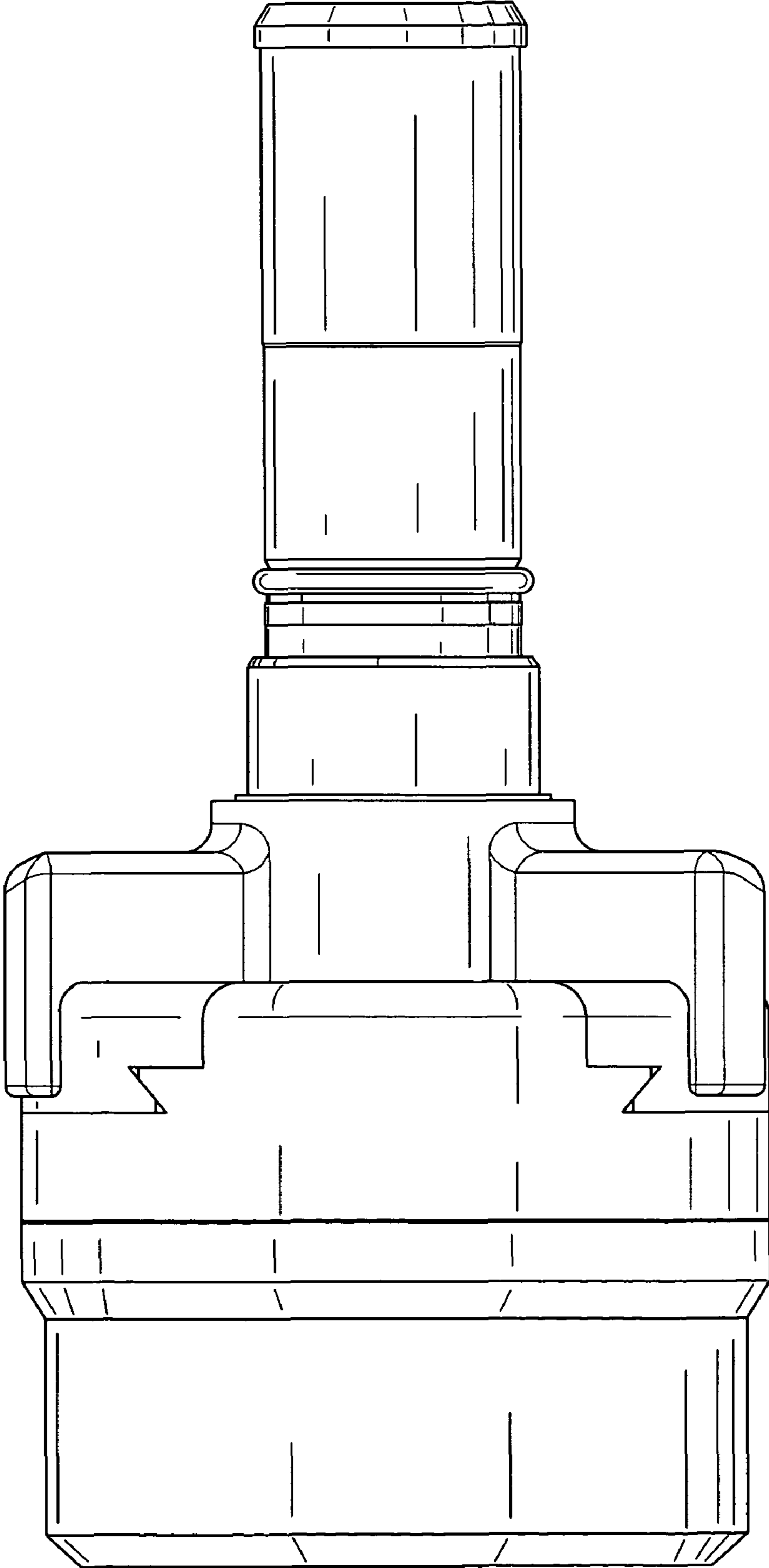


FIG. 6

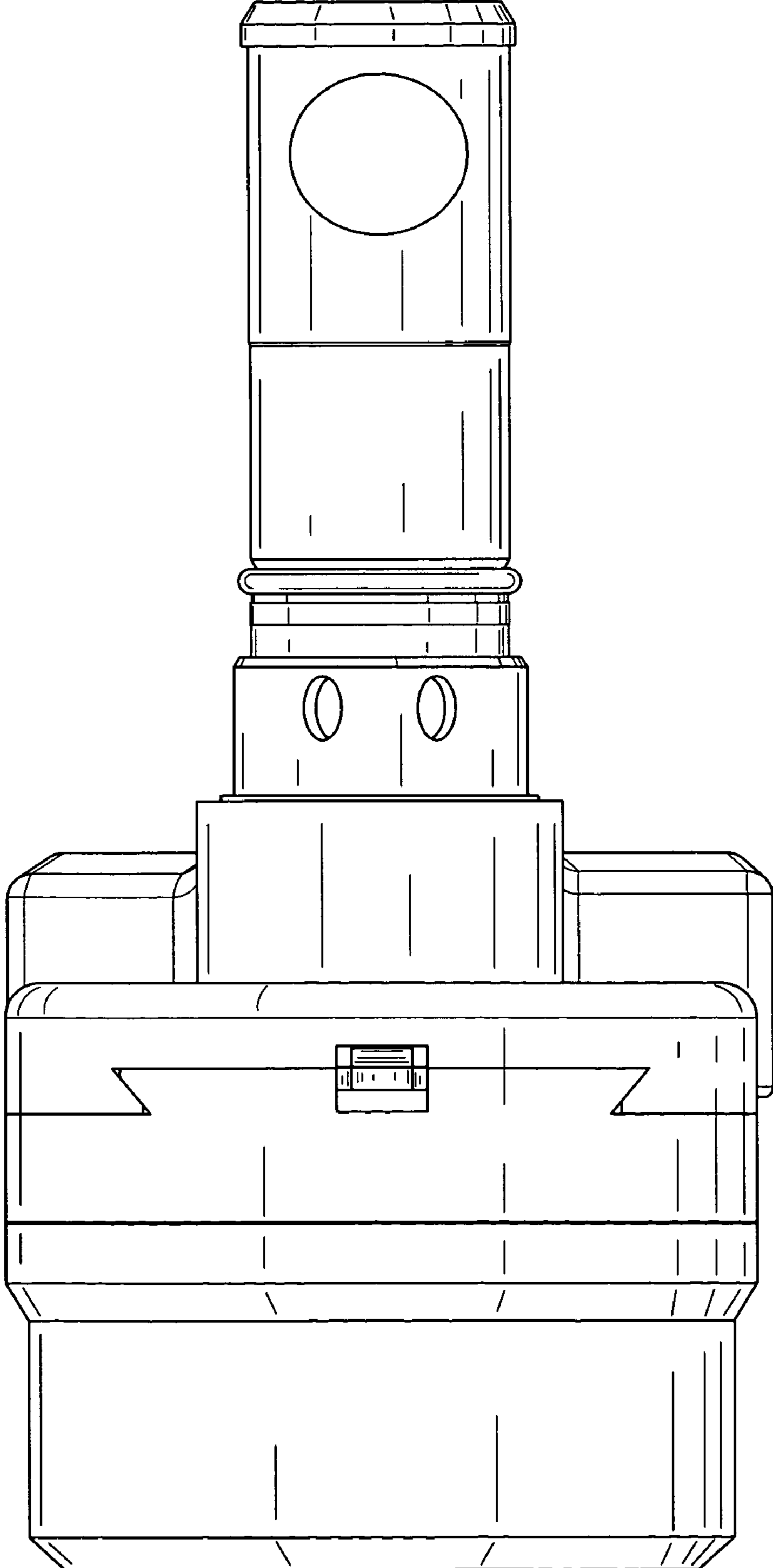


FIG. 7

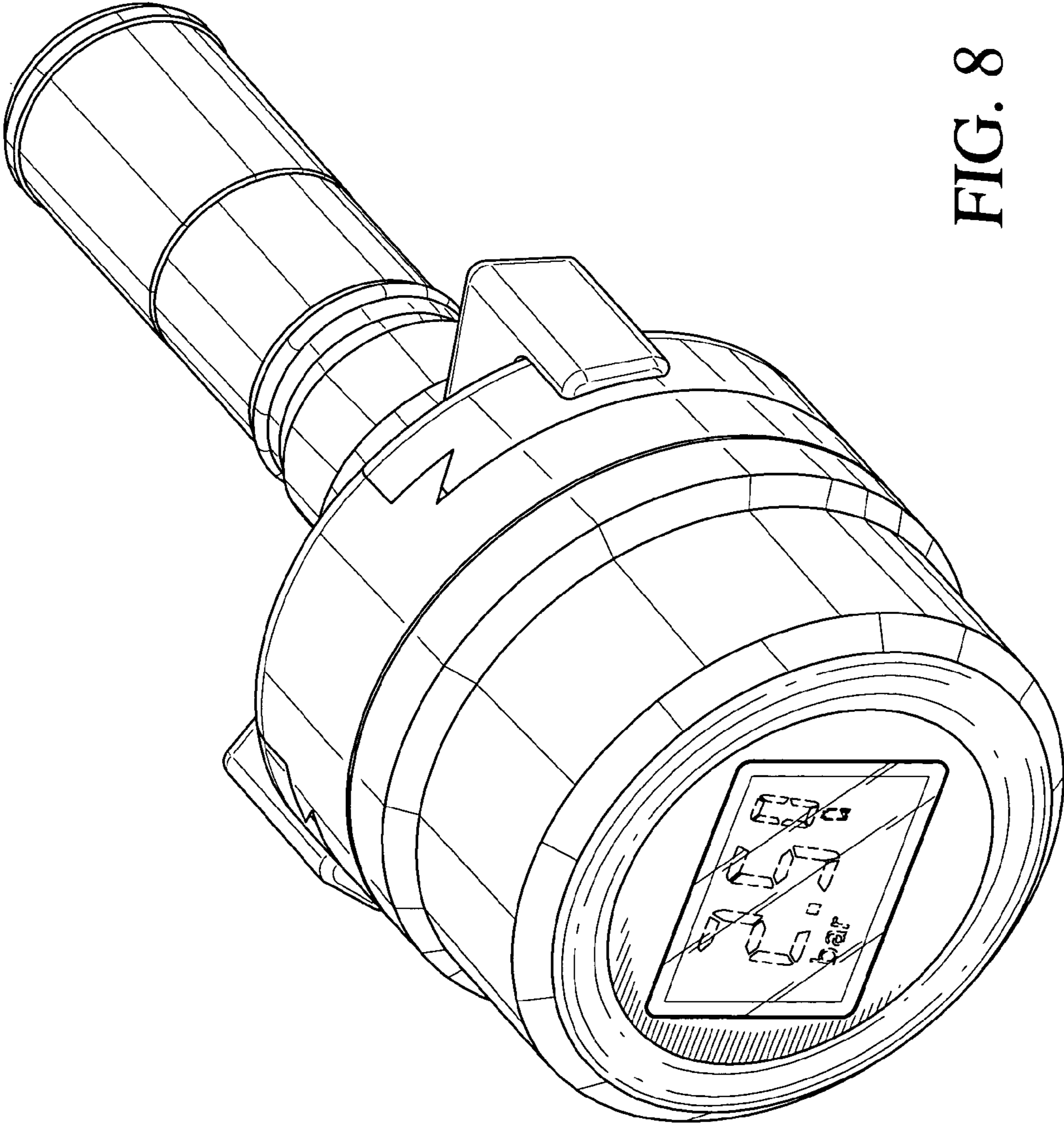


FIG. 8



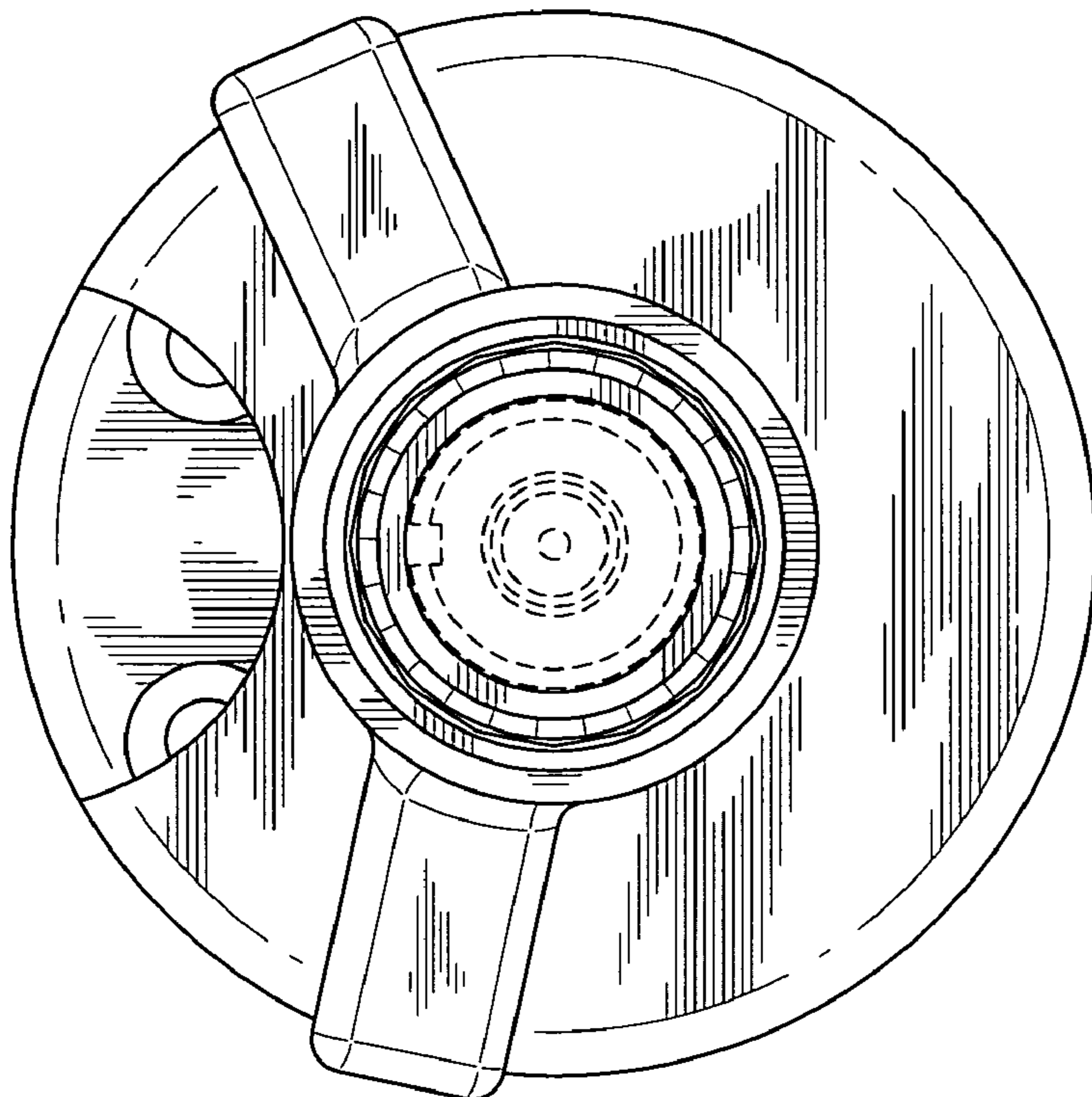


FIG. 10

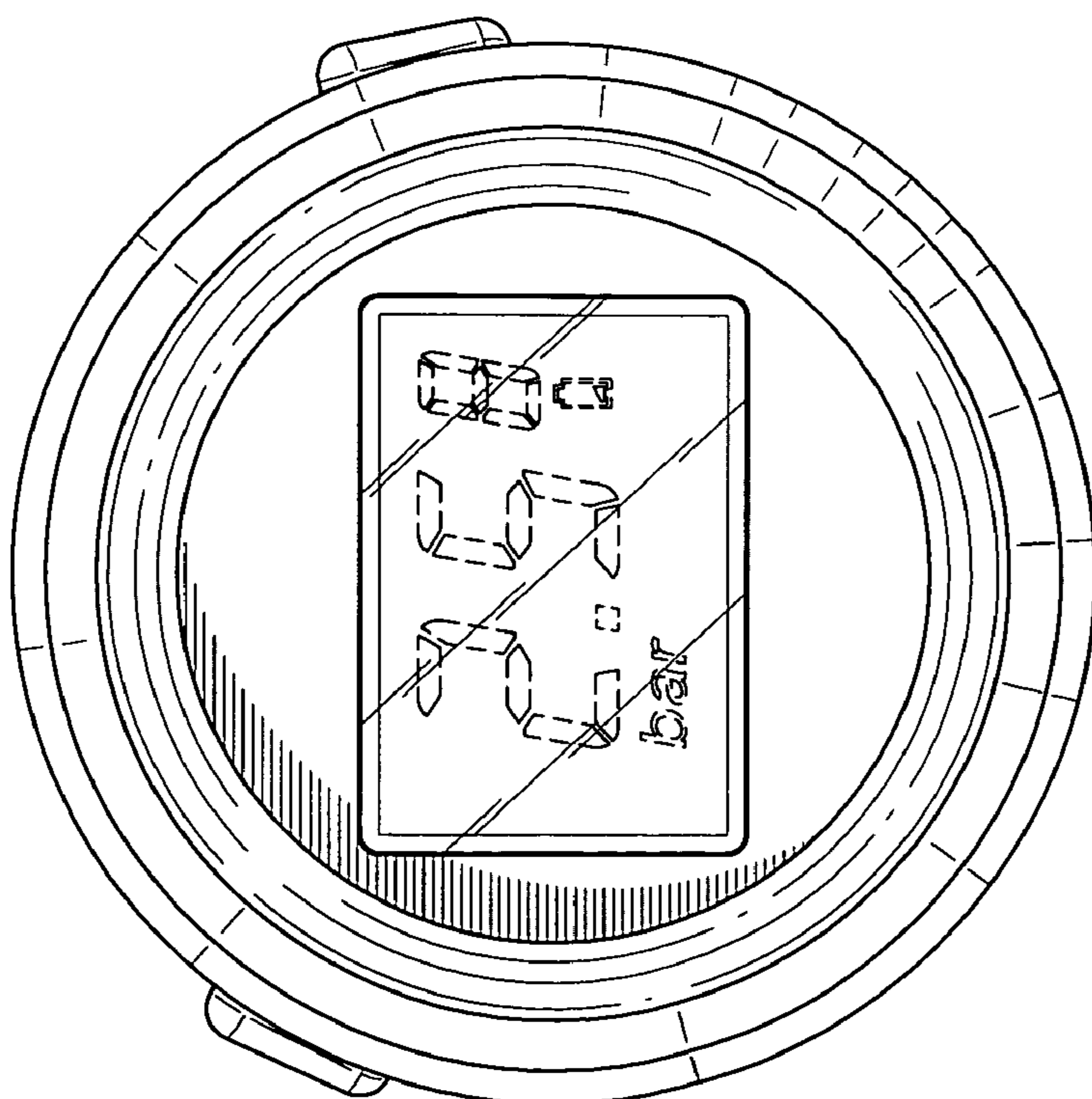


FIG. 9

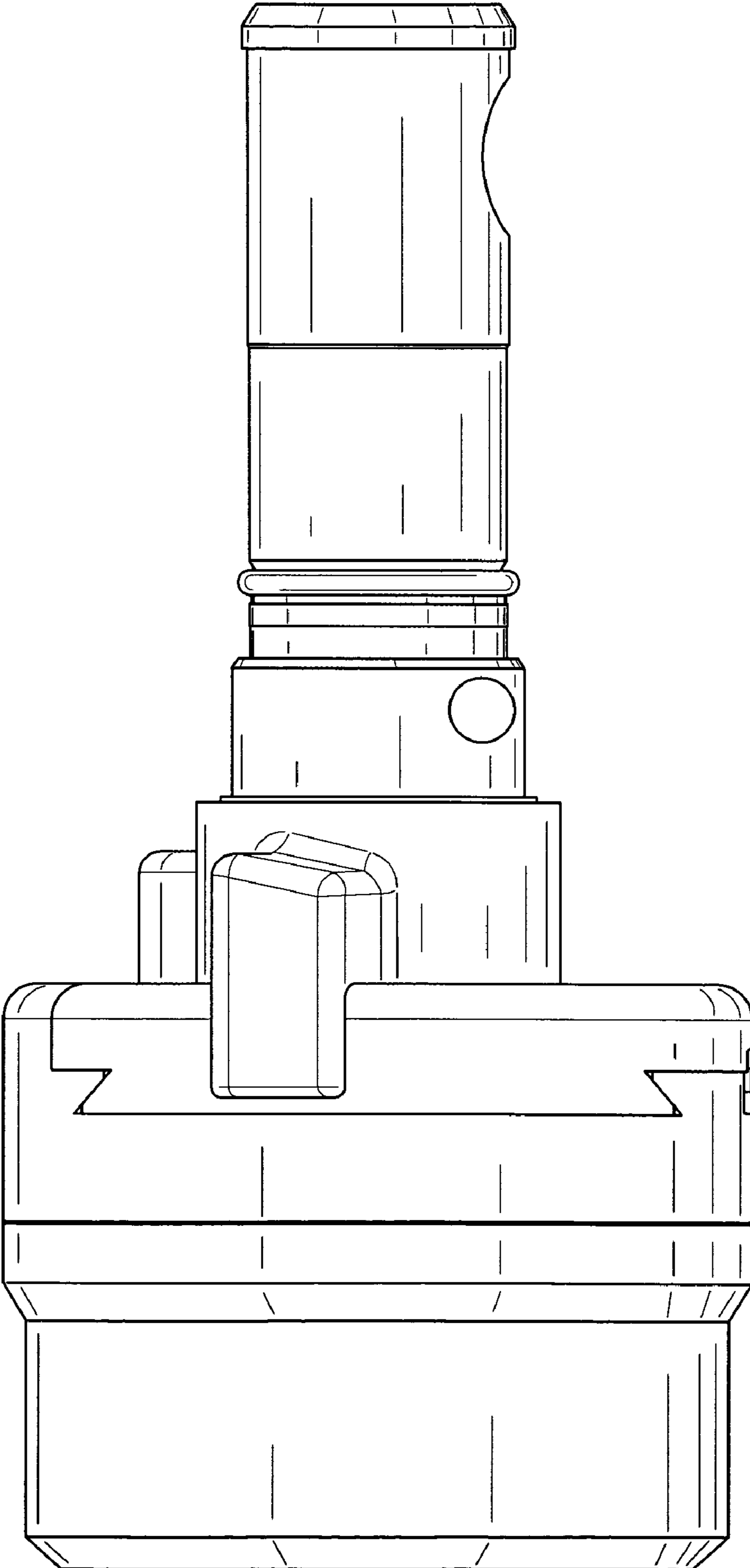


FIG. 11

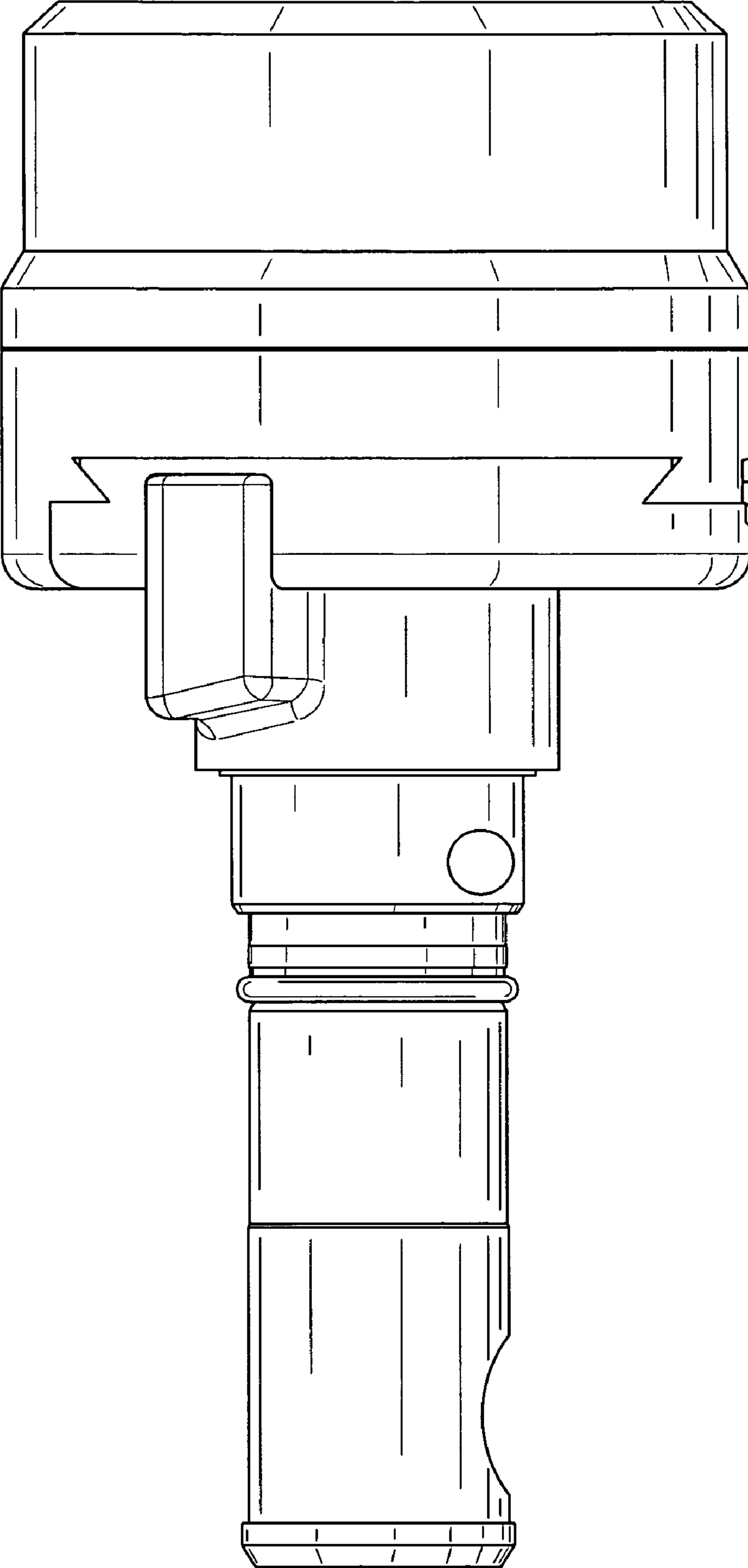


FIG. 12

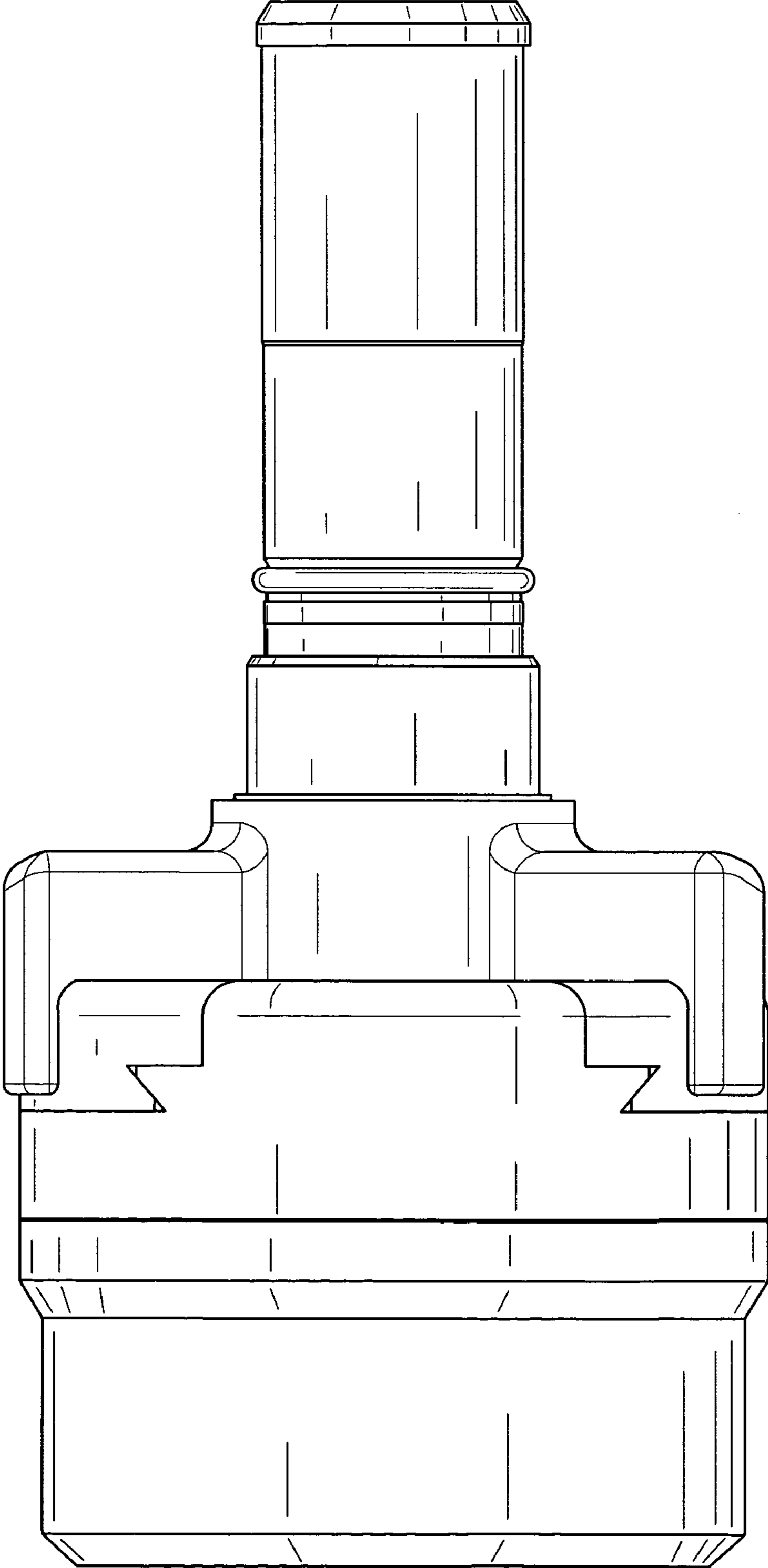


FIG. 13

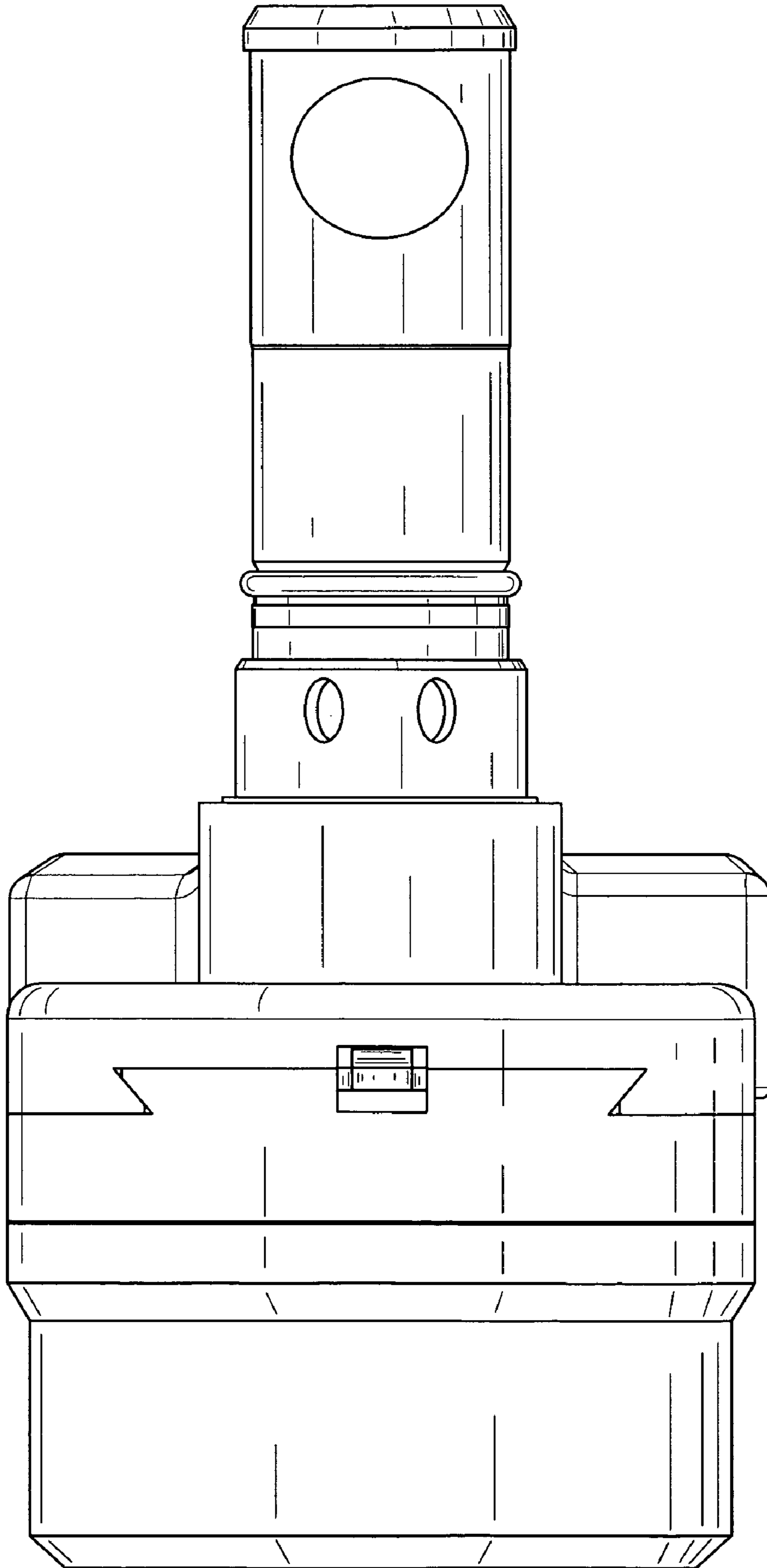


FIG. 14

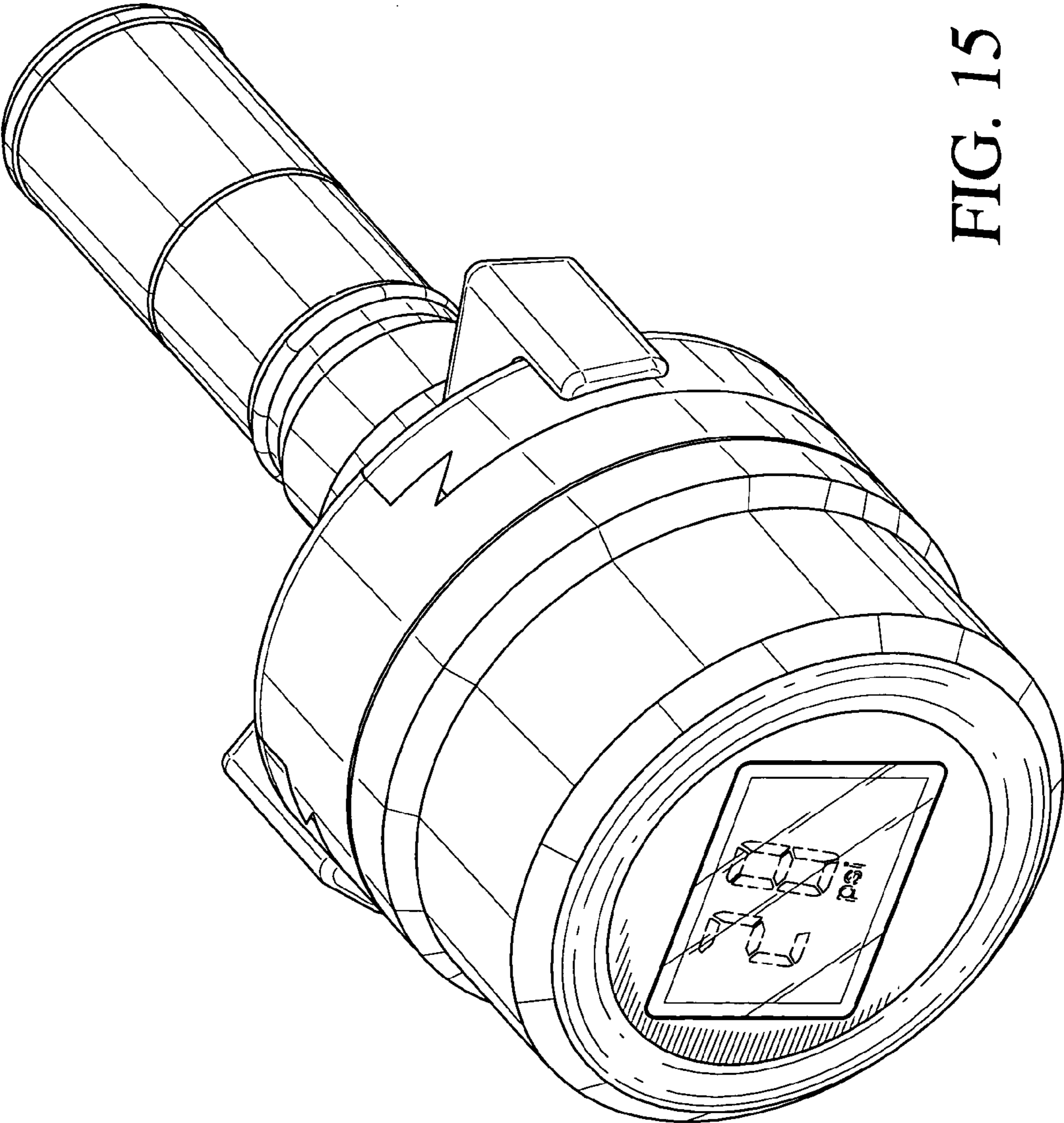


FIG. 15

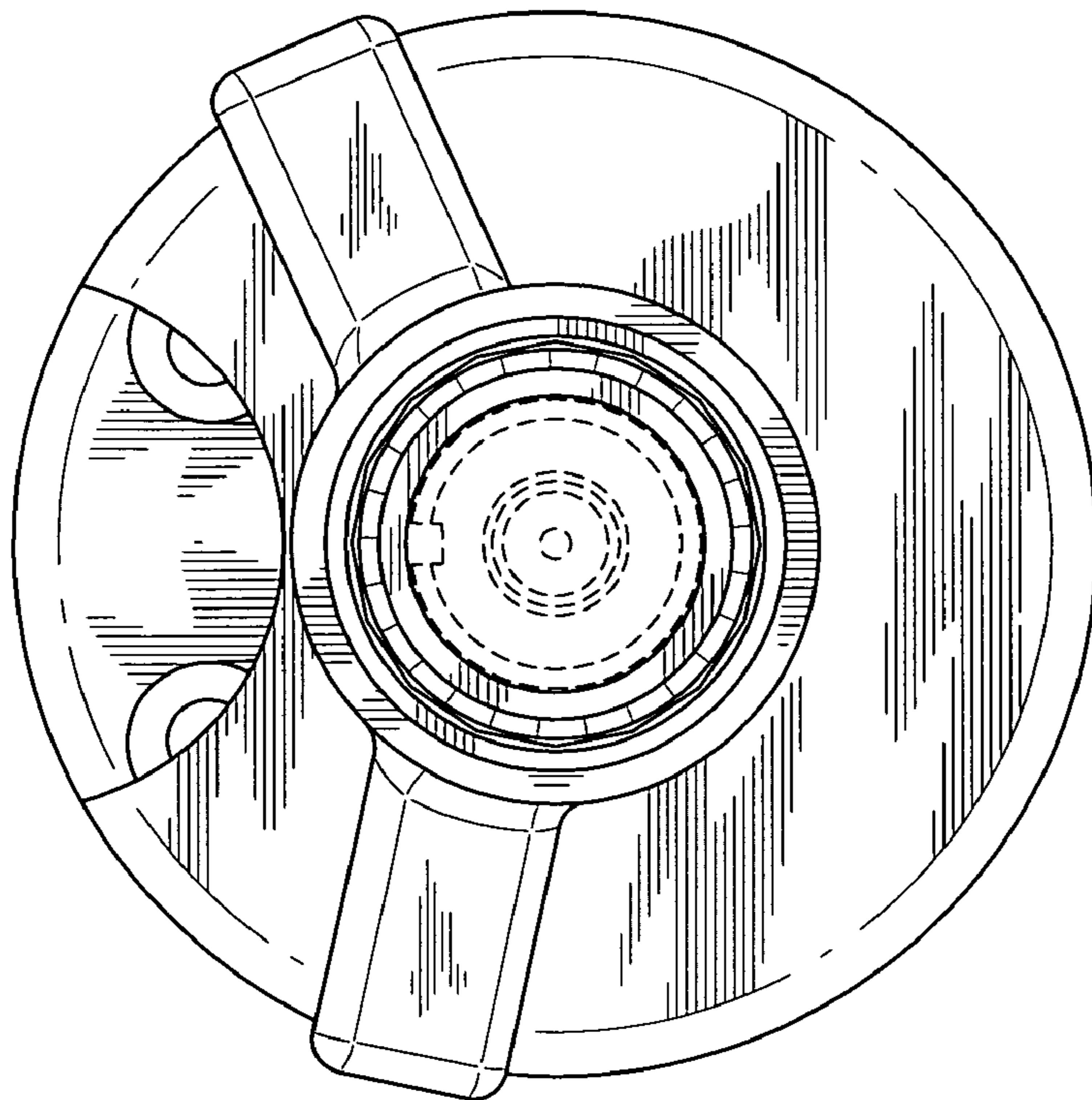


FIG. 17

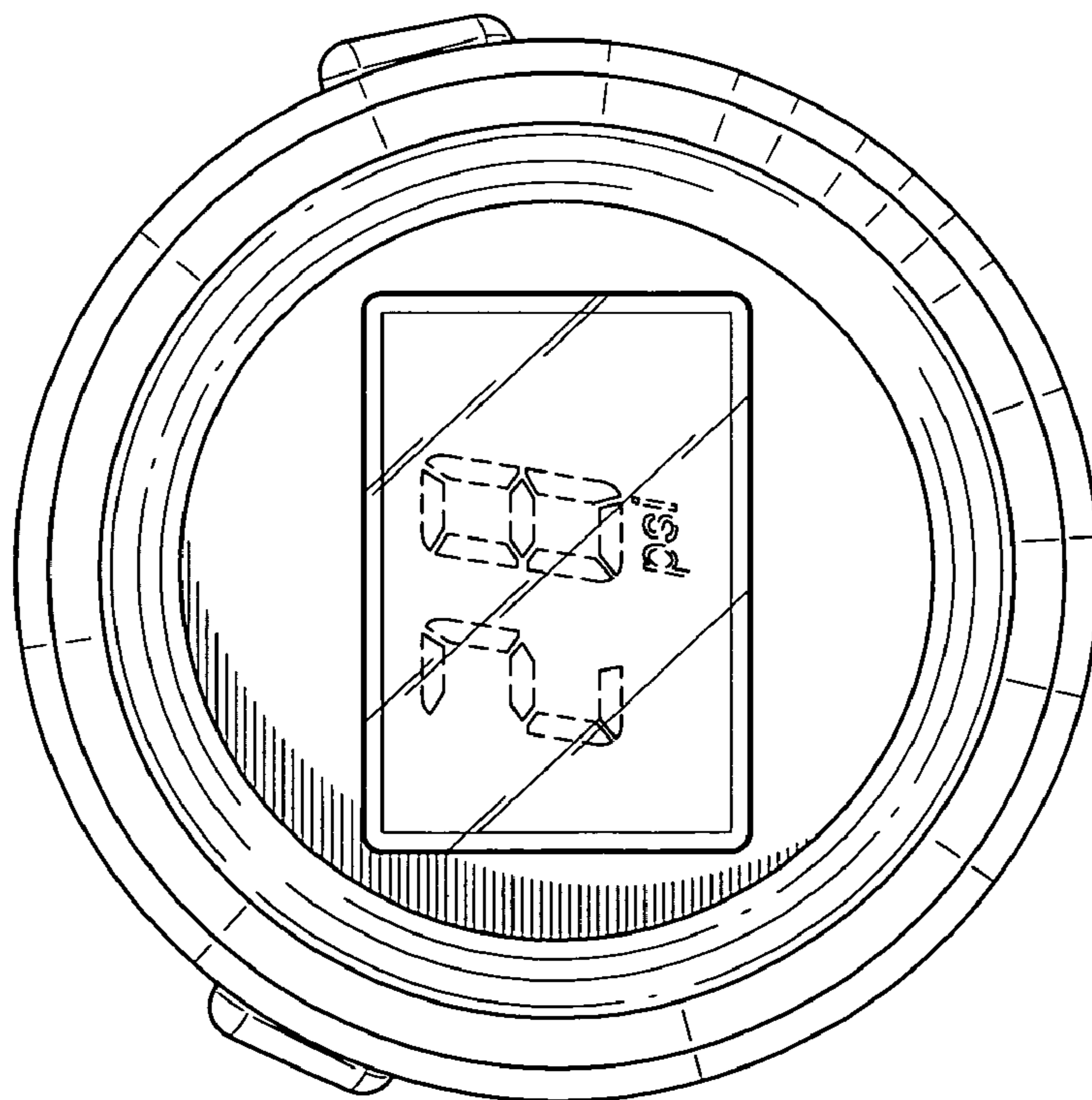


FIG. 16





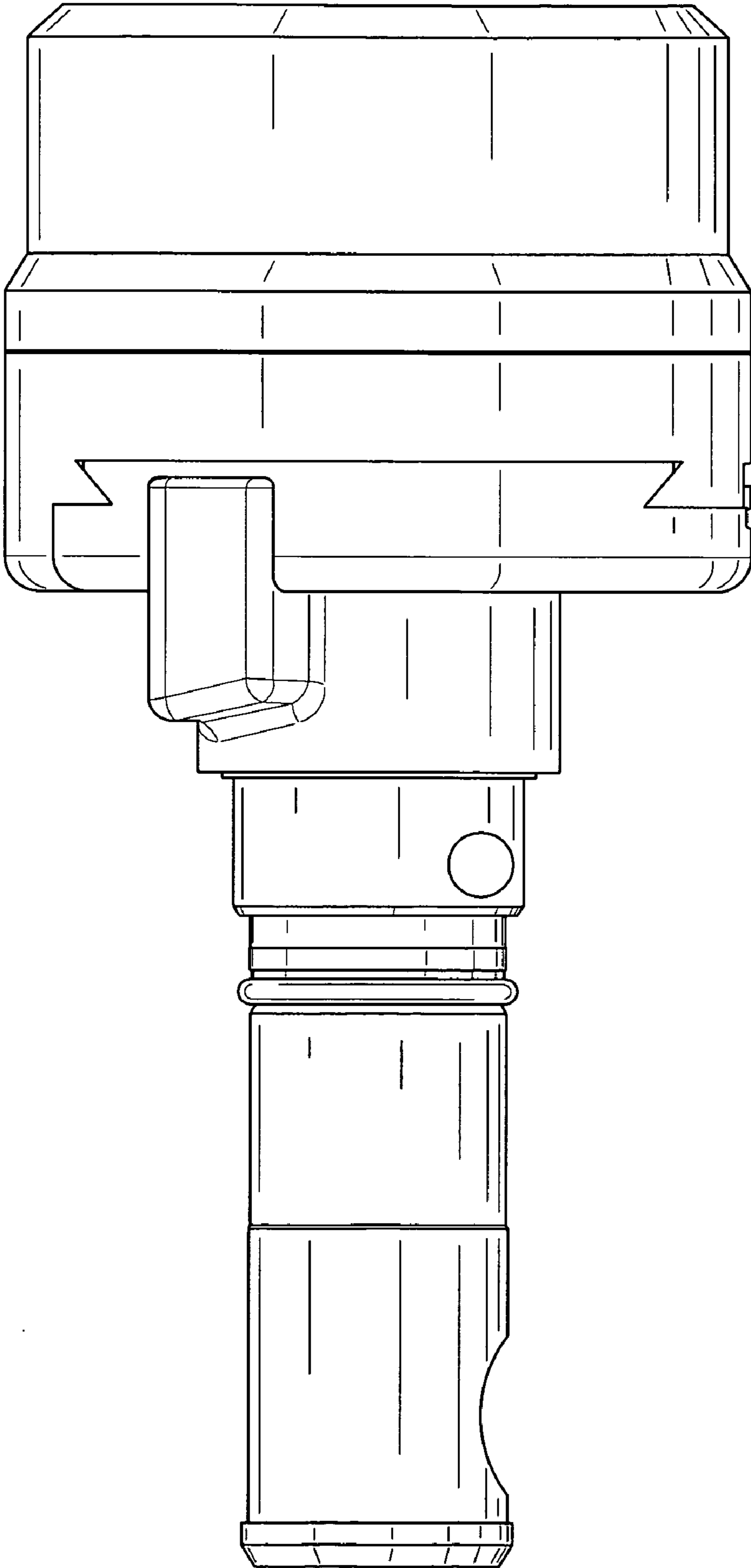


FIG. 19

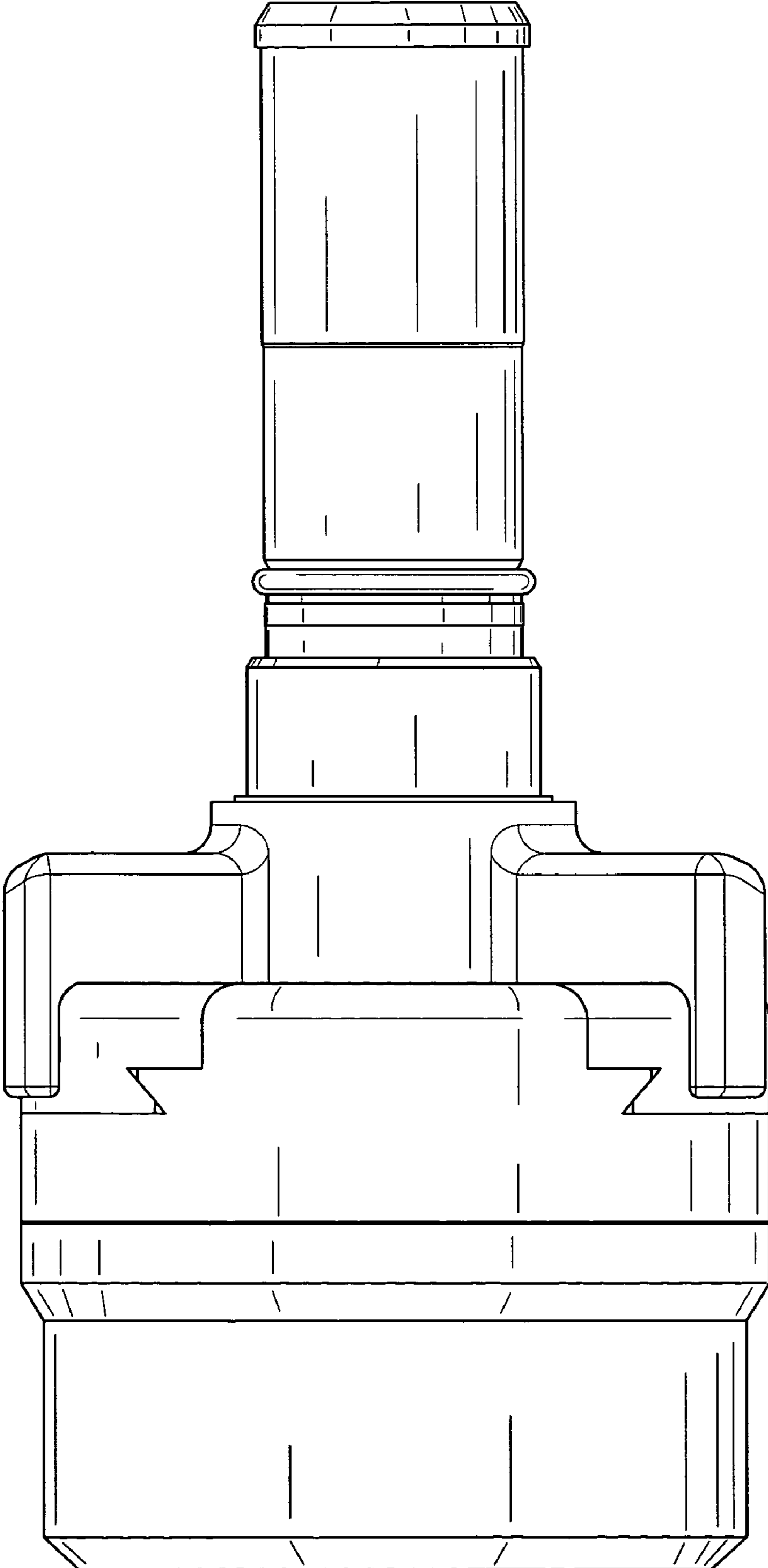


FIG. 20

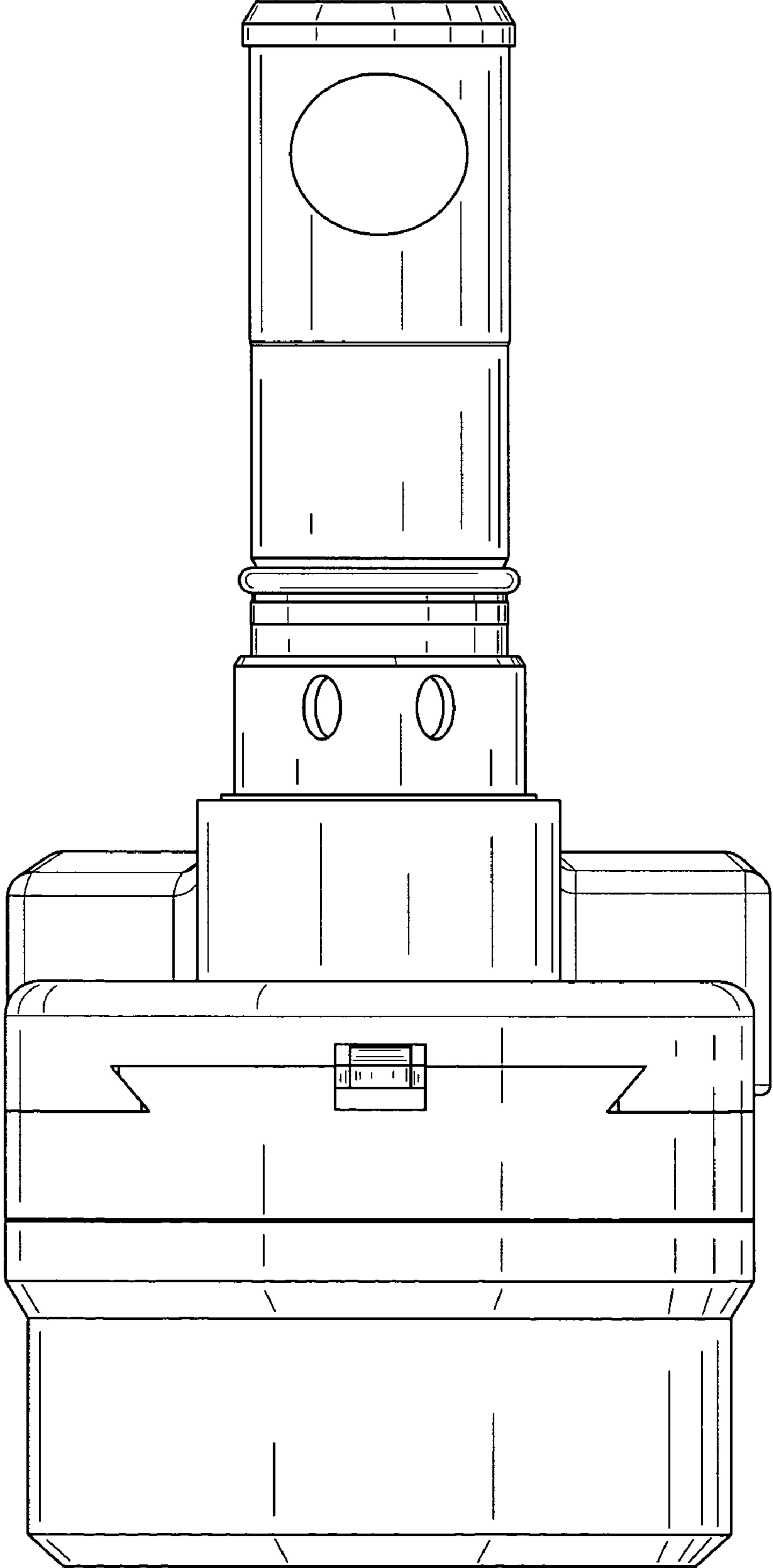


FIG. 21

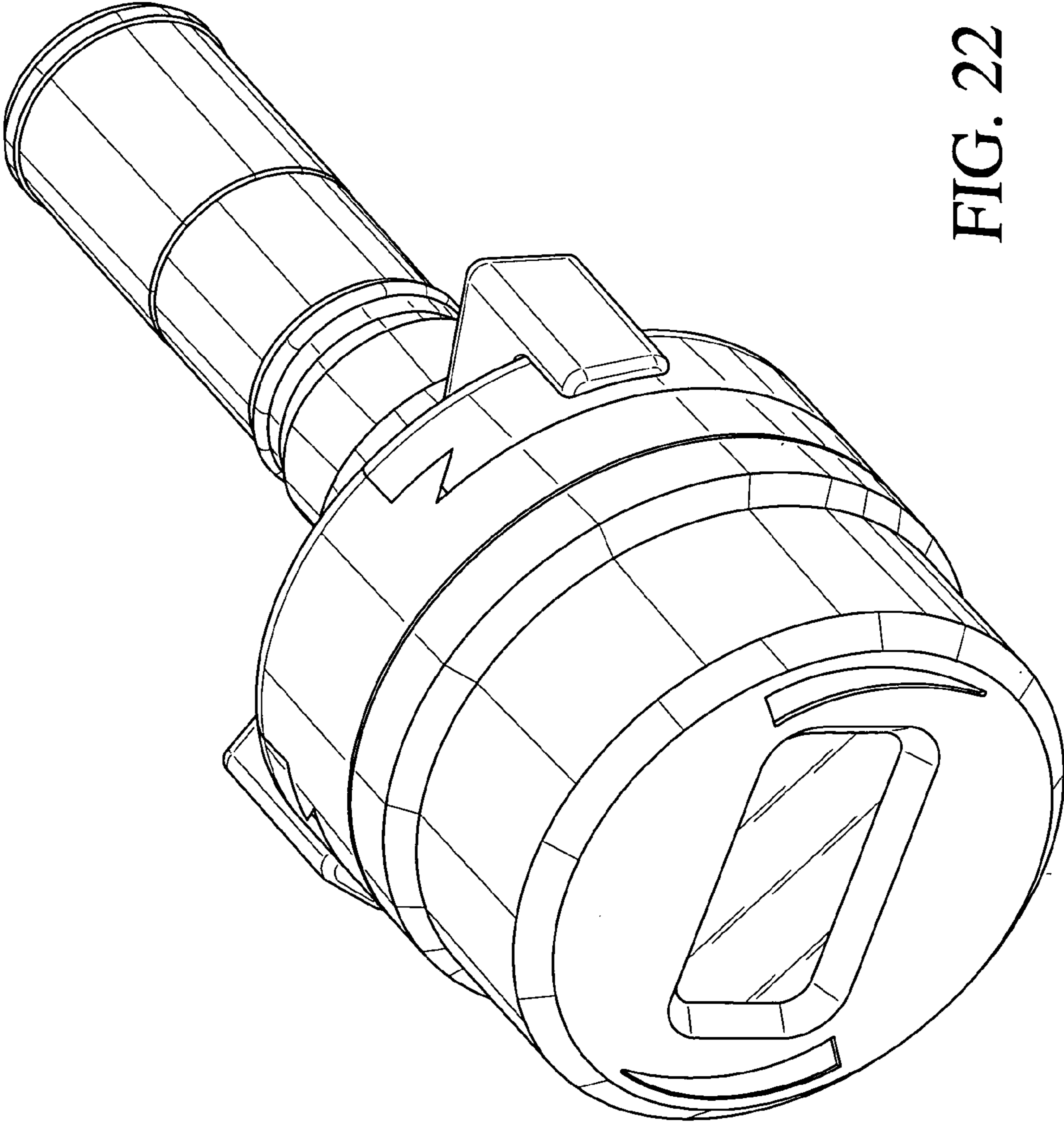


FIG. 22

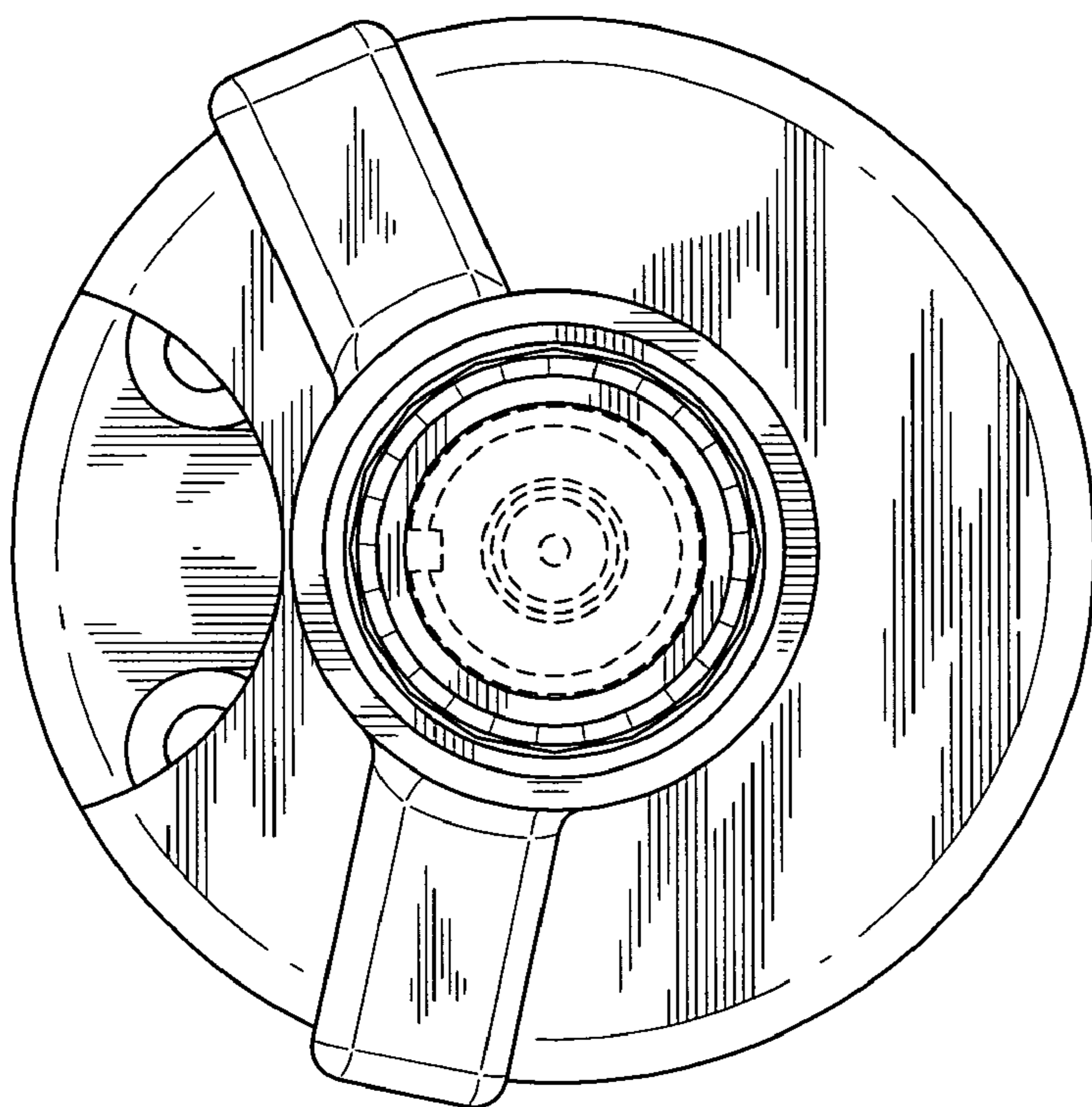


FIG. 24

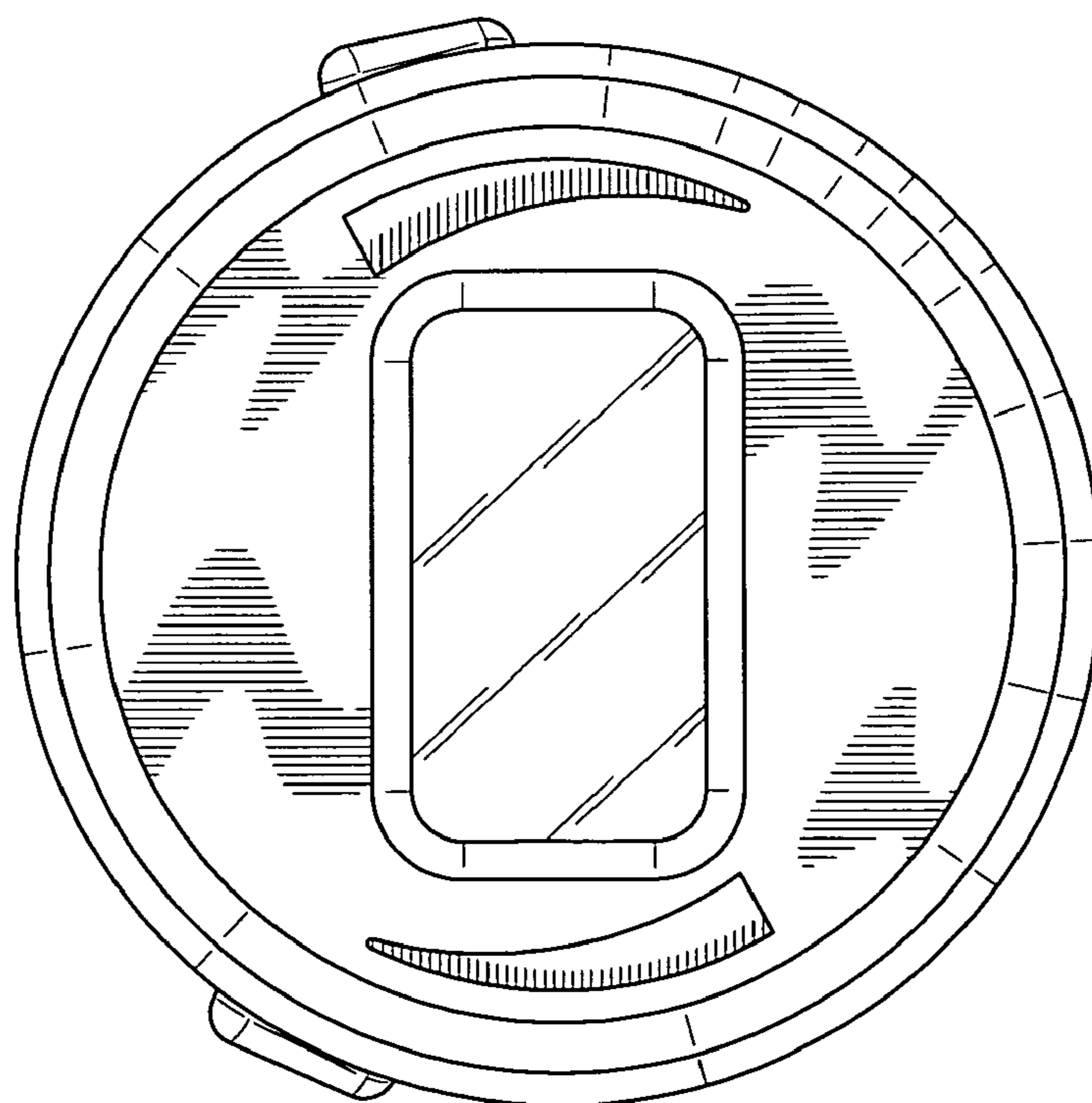


FIG. 23

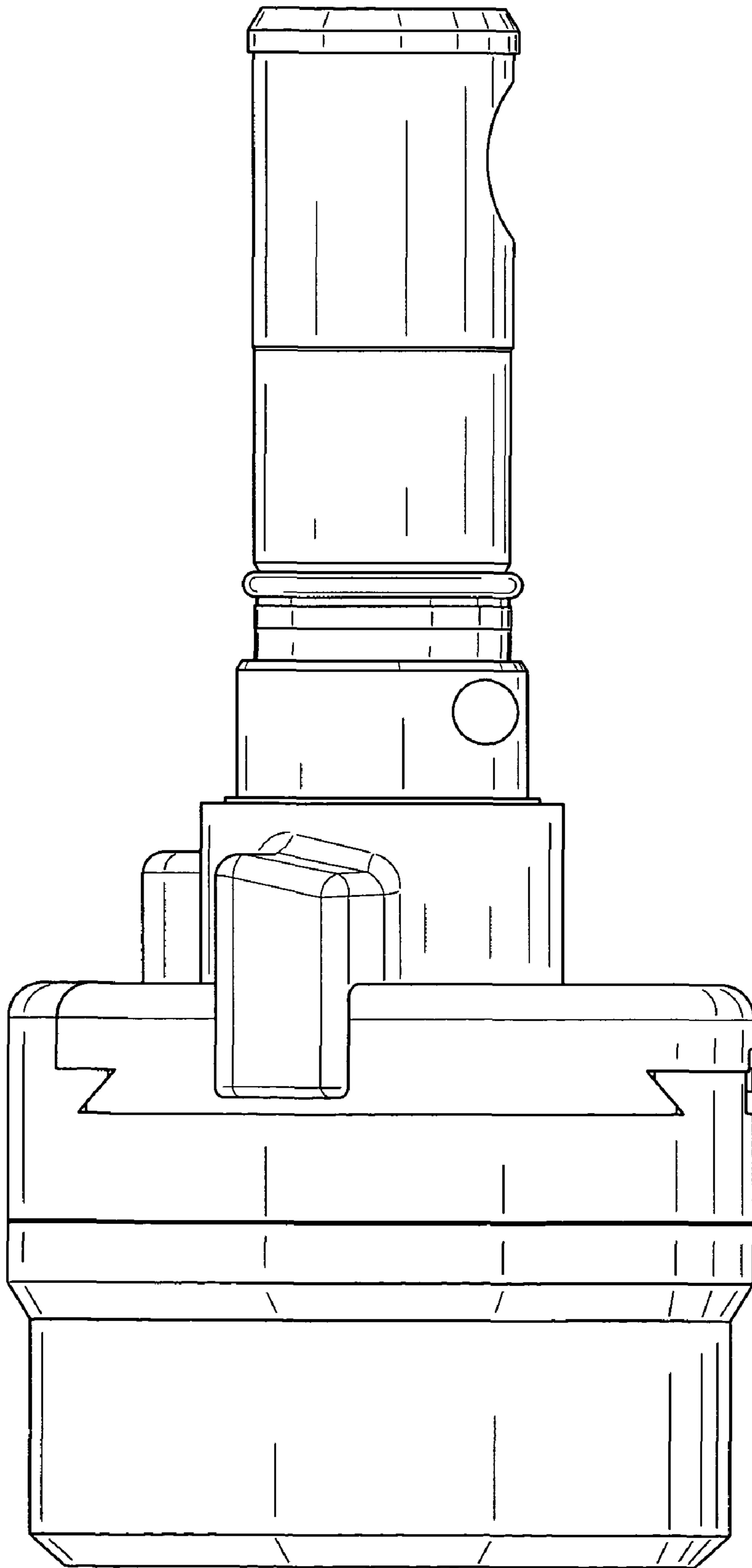


FIG. 25

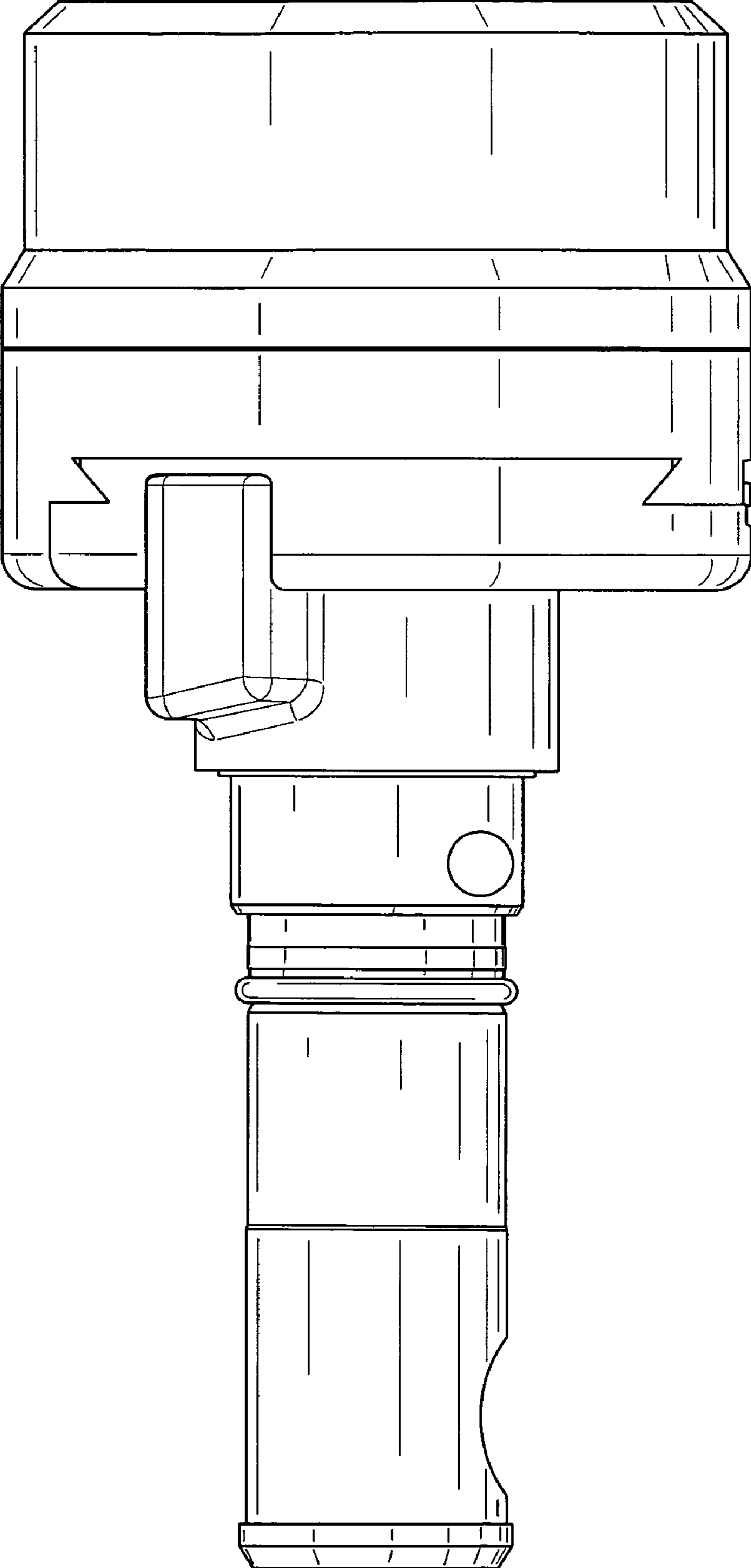


FIG. 26





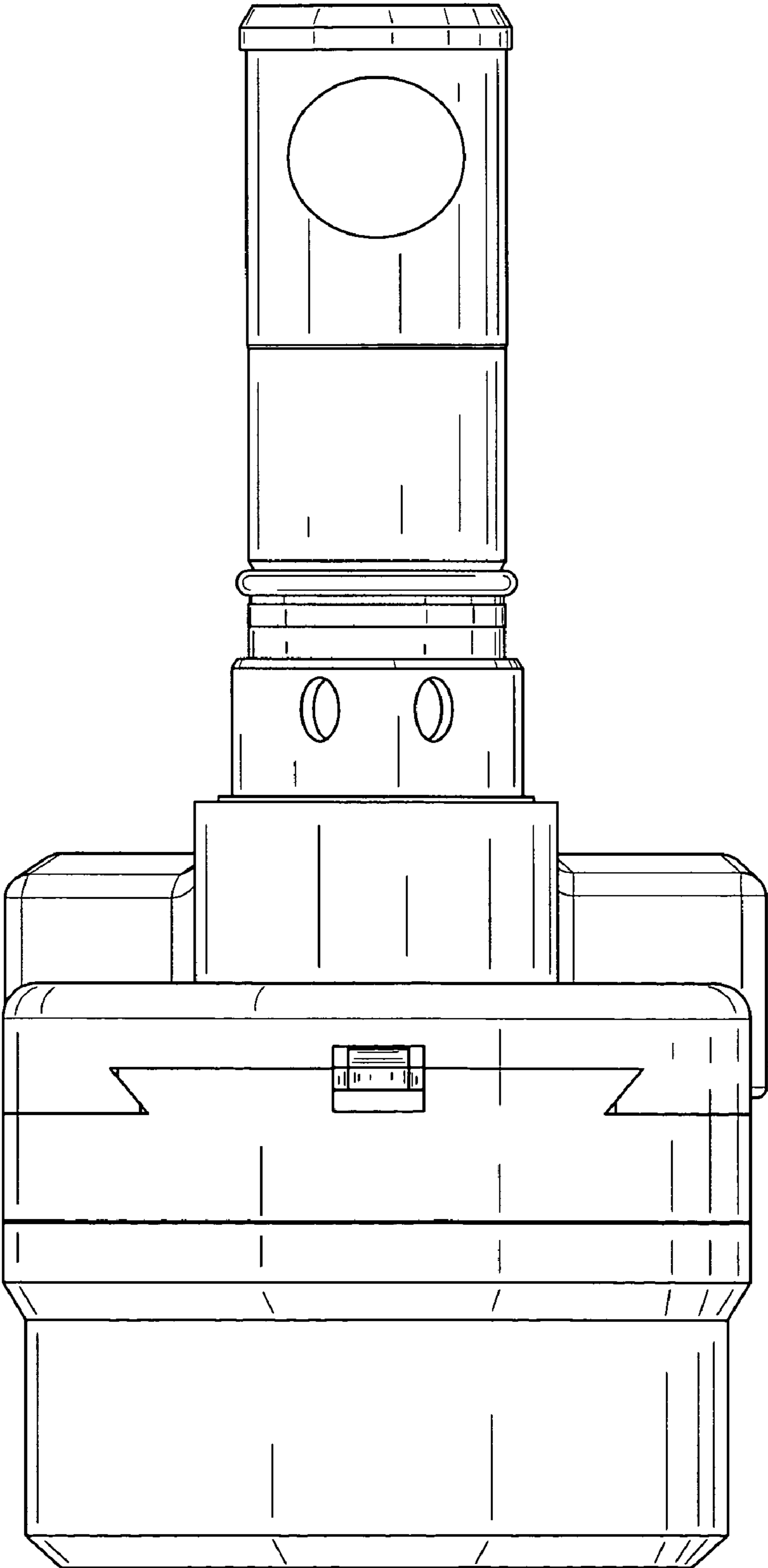


FIG. 28