



US00D657275S

(12) **United States Design Patent**
Cowles et al.

(10) **Patent No.:** **US D657,275 S**
(45) **Date of Patent:** **** Apr. 10, 2012**

(54) **CEILING MOUNTED OCCUPANCY SENSOR**

(75) Inventors: **William Cowles**, Brooklyn, NY (US);
Wendy Feldstein, Old Tappan, NJ (US);
Russikesh Kumar, Ridgewood, NJ
(US); **Doug Jacobson**, Oradell, NJ (US)

(73) Assignee: **Crestron Electronics Inc.**, Rockleigh,
NJ (US)

(**) Term: **14 Years**

(21) Appl. No.: **29/384,828**

(22) Filed: **Feb. 4, 2011**

(51) **LOC (9) Cl.** **10-04**

(52) **U.S. Cl.** **D10/70**

(58) **Field of Classification Search** D10/70,
D10/106.6; 250/221, 338.3, 340, 239, 342,
250/341, DIG. 1; 307/116, 117; 340/521,
340/527, 541, 567, 540, 568.2, 539.23; 315/159
See application file for complete search history.

(56) **References Cited**

U.S. PATENT DOCUMENTS

D360,842 S 8/1995 Hu
6,222,191 B1 * 4/2001 Myron et al. 250/353
D561,630 S 2/2008 Bandringa
D573,053 S 7/2008 Bandringa
D588,484 S 3/2009 Bandringa

D597,430 S 8/2009 Sloan
D602,388 S 10/2009 Killo
D603,284 S 11/2009 Sloan
7,800,049 B2 * 9/2010 Bandringa et al. 250/239
7,800,498 B2 * 9/2010 Leonard et al. 340/568.2
8,009,042 B2 * 8/2011 Steiner et al. 340/541

* cited by examiner

Primary Examiner — Antoine D Davis

(74) *Attorney, Agent, or Firm* — Crestron Electronics Inc.

(57) **CLAIM**

The ornamental design for a ceiling mounted occupancy sensor, as shown and described.

DESCRIPTION

FIG. 1 shows a top perspective view of a ceiling mounted occupancy sensor.

FIG. 2 shows a bottom perspective view of the ceiling mounted occupancy sensor.

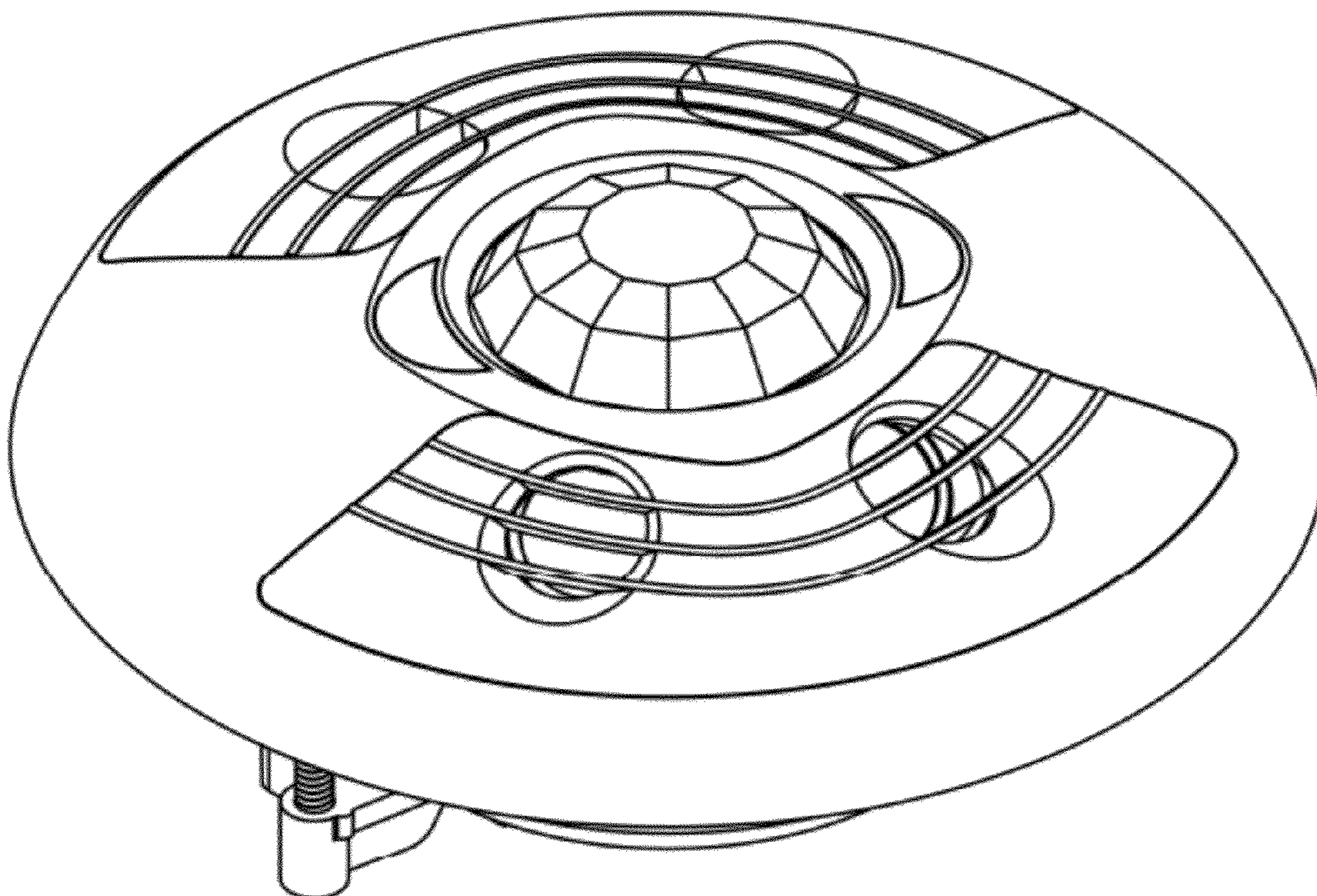
FIG. 3 shows a top plan view of the ceiling mounted occupancy sensor.

FIG. 4 shows a bottom plan view of the ceiling mounted occupancy sensor.

FIG. 5 shows a front elevation view of the ceiling mounted occupancy sensor; and,

FIG. 6 shows a right elevation view of the ceiling mounted occupancy sensor.

1 Claim, 6 Drawing Sheets



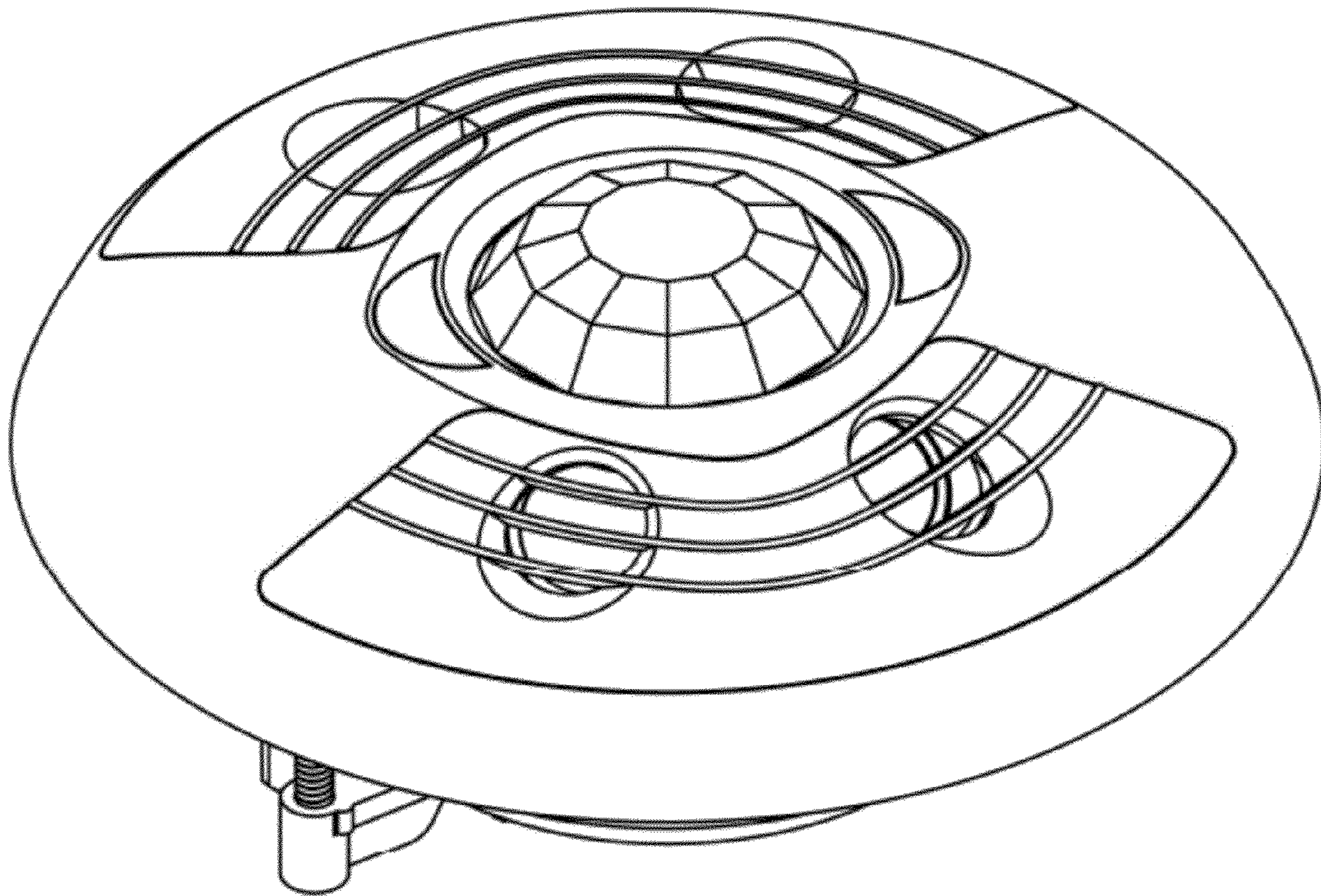


FIG. 1

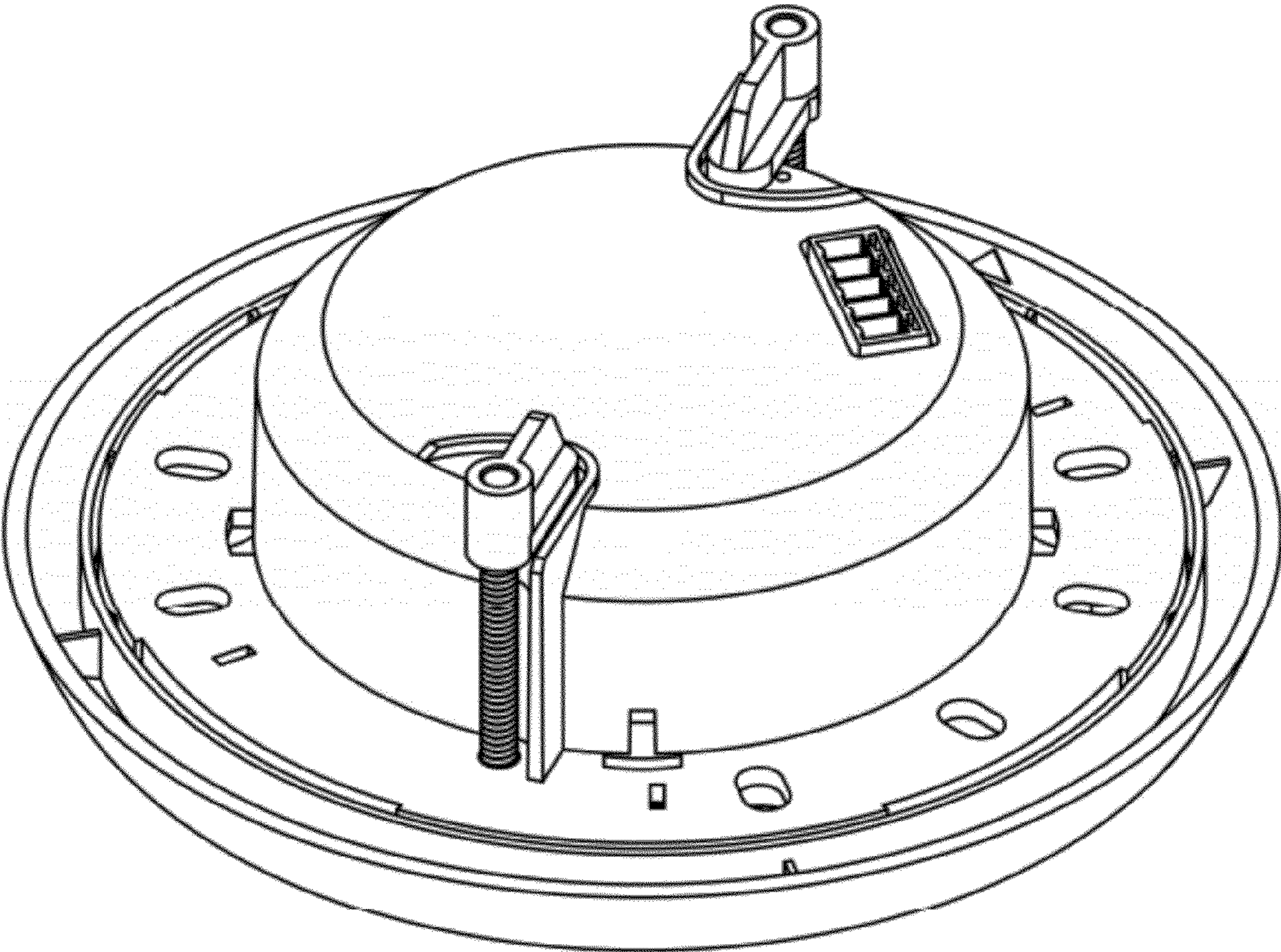


FIG. 2

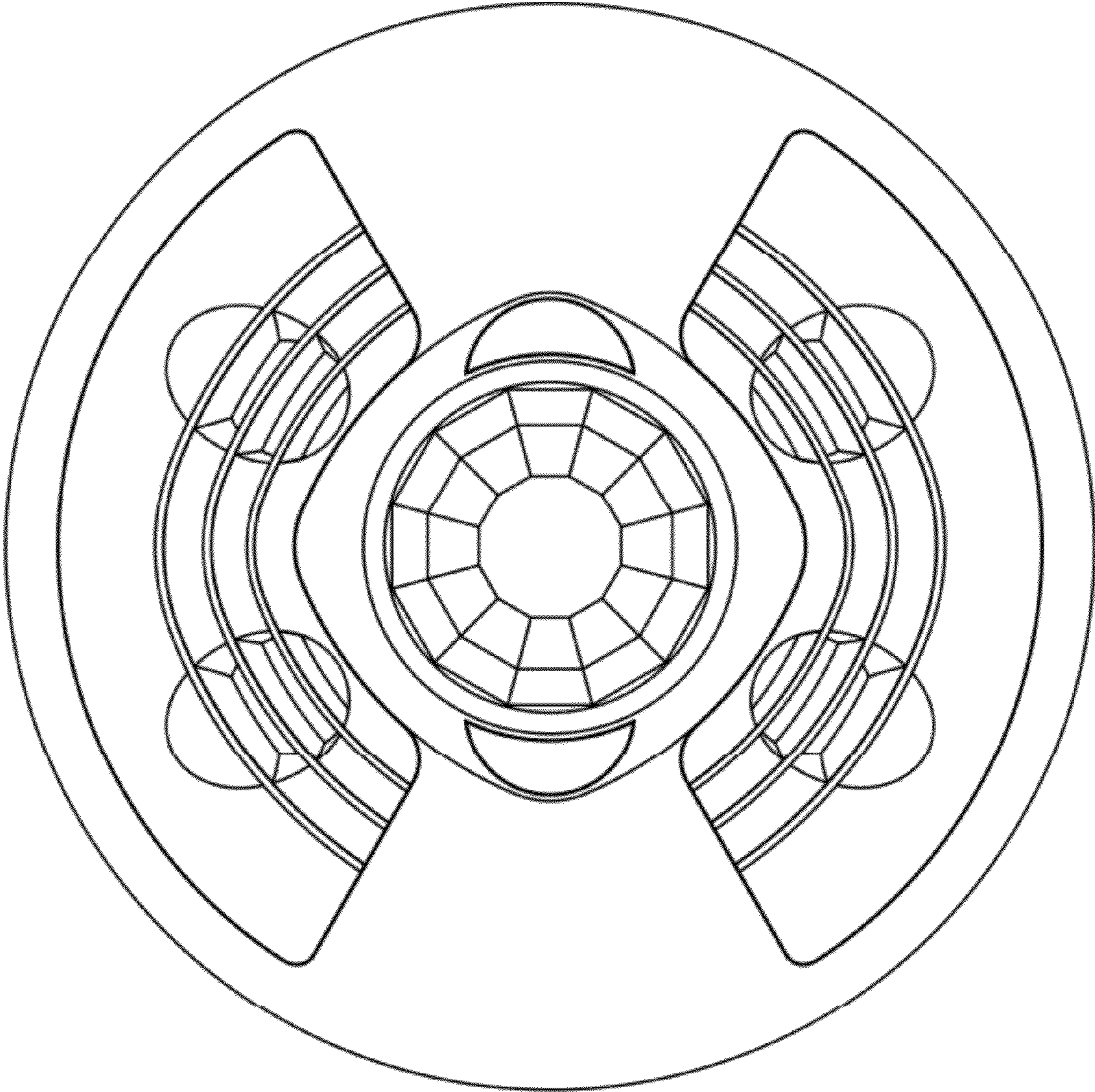


FIG. 3

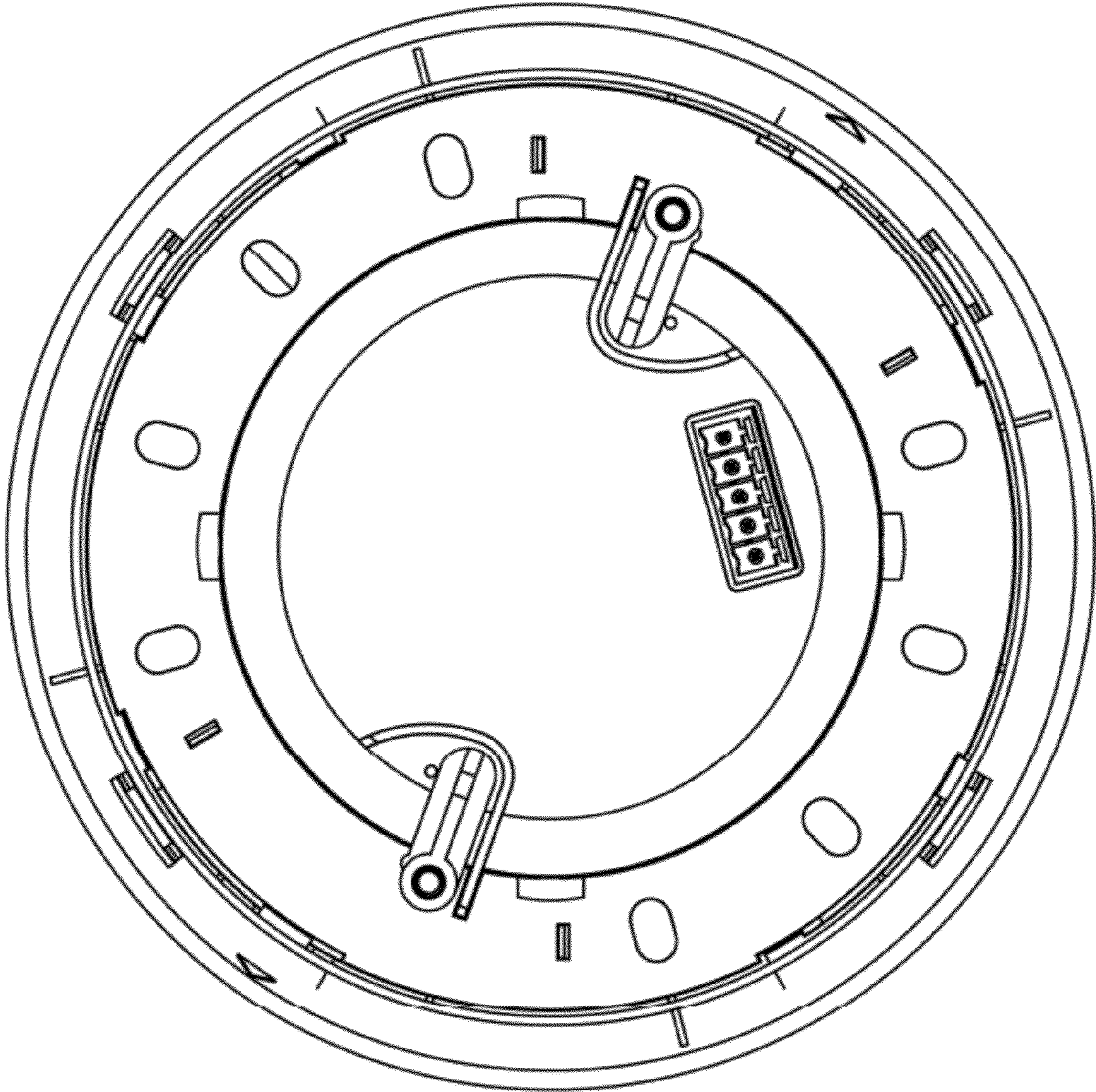


FIG. 4

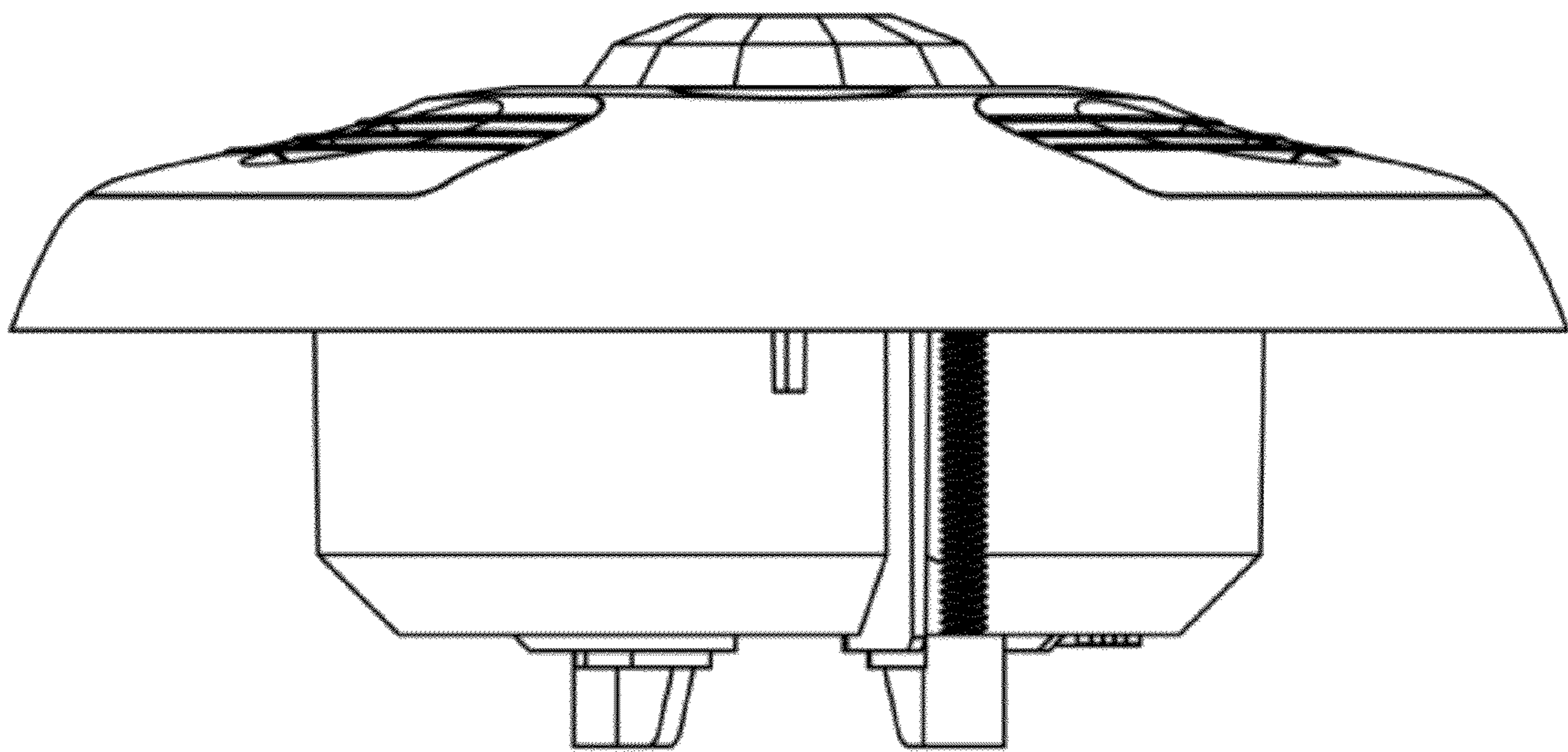


FIG. 5

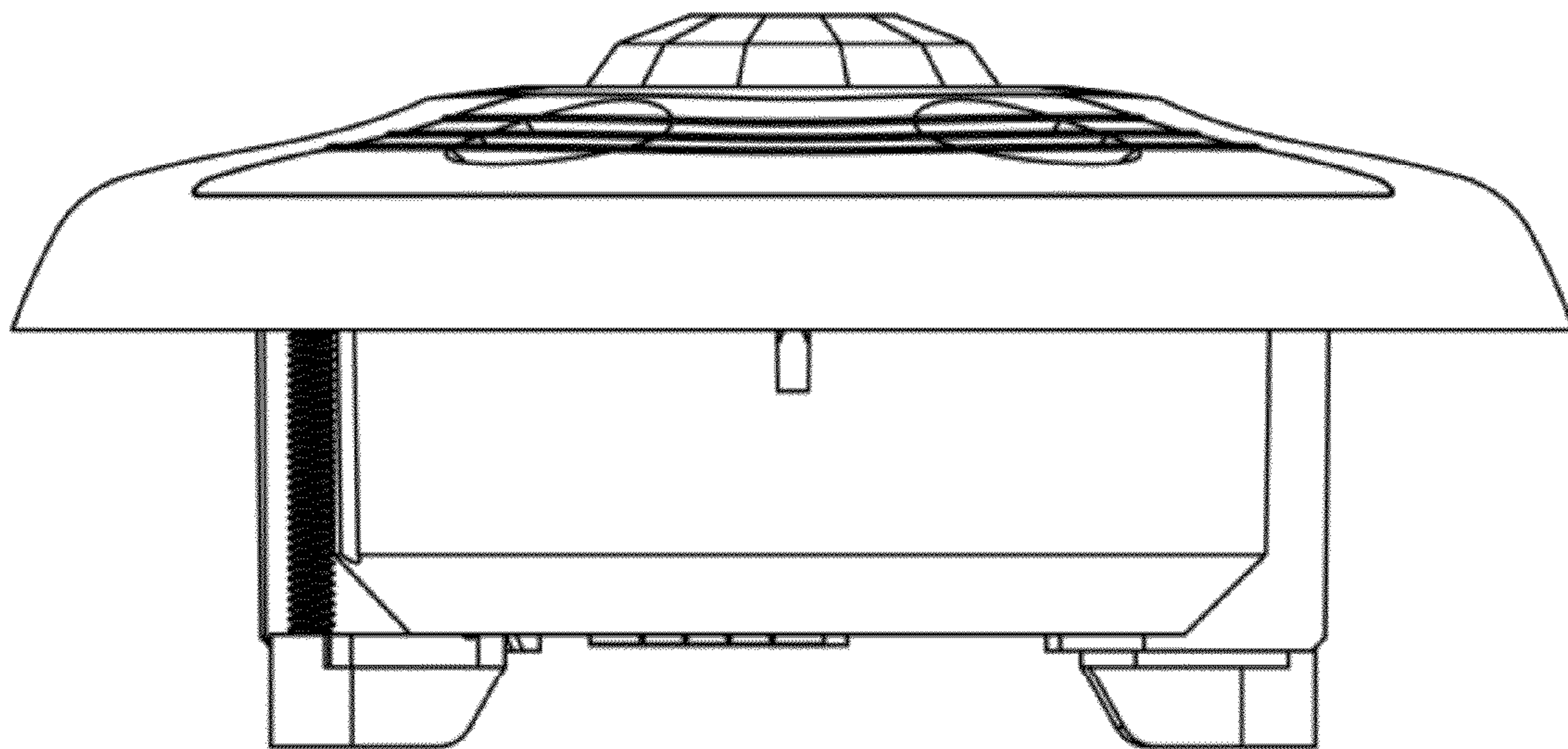


FIG. 6