

US00D657274S

(12) **United States Design Patent**
Neethling

(10) **Patent No.:** **US D657,274 S**

(45) **Date of Patent:** **** Apr. 10, 2012**

(54) **SQUARE**

(76) Inventor: **Hugo Neethling**, Pretoria (ZA)

(**) Term: **14 Years**

(21) Appl. No.: **29/385,229**

(22) Filed: **Feb. 10, 2011**

(30) **Foreign Application Priority Data**

Aug. 13, 2010 (ZA) F2010/01121

(51) **LOC (9) Cl.** **10-04**

(52) **U.S. Cl.** **D10/69; D10/65**

(58) **Field of Classification Search** D10/65,
D10/69; 33/173, 341, 418, 419, 420, 427,
33/428, 429, 447, 464, 474
See application file for complete search history.

(56) **References Cited**

U.S. PATENT DOCUMENTS

1,908,518 A * 5/1933 Lee 33/451
D353,111 S * 12/1994 Meador D10/65

D460,700 S * 7/2002 Marletta D10/69
D500,691 S * 1/2005 Fesmire D10/69
D544,382 S * 6/2007 Bowers D10/69
D640,944 S * 7/2011 Elias D10/71

* cited by examiner

Primary Examiner — Antoine D Davis

(74) *Attorney, Agent, or Firm* — The H.T. Than Law Group

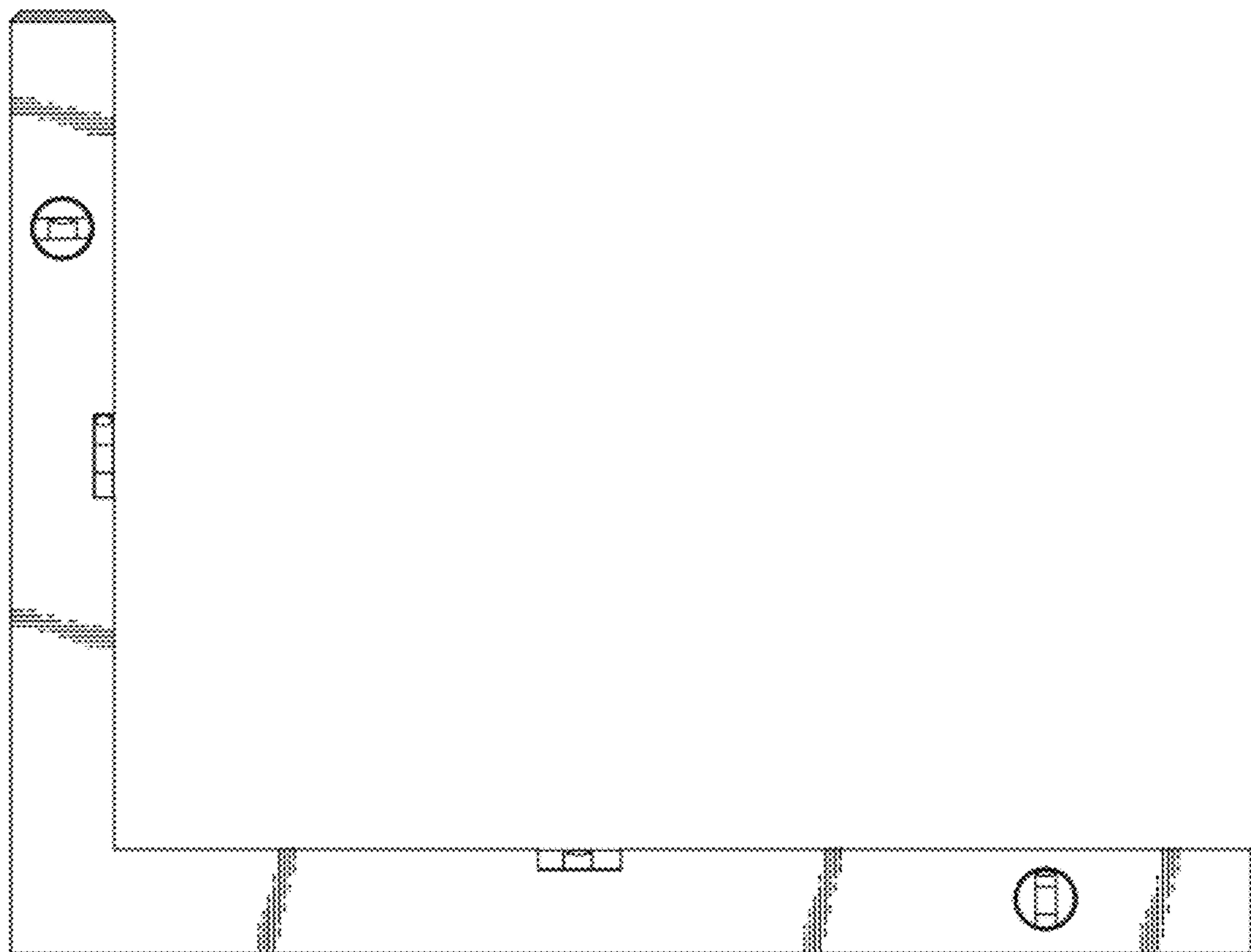
(57) **CLAIM**

The ornamental design for square, as shown and described.

DESCRIPTION

FIG. 1 is a face-on view of a square incorporating the design of my invention;
FIG. 2 is an opposite face-on view of the square of FIG. 1;
FIG. 3 is a view from one end of the square of FIG. 1;
FIG. 4 is a view from the opposite end of the square of FIG. 1;
FIG. 5 is a top view of the square of FIG. 1;
FIG. 6 is bottom view of the square of FIG. 1; and,
FIG. 7 is a perspective view of the design of my invention.

1 Claim, 5 Drawing Sheets



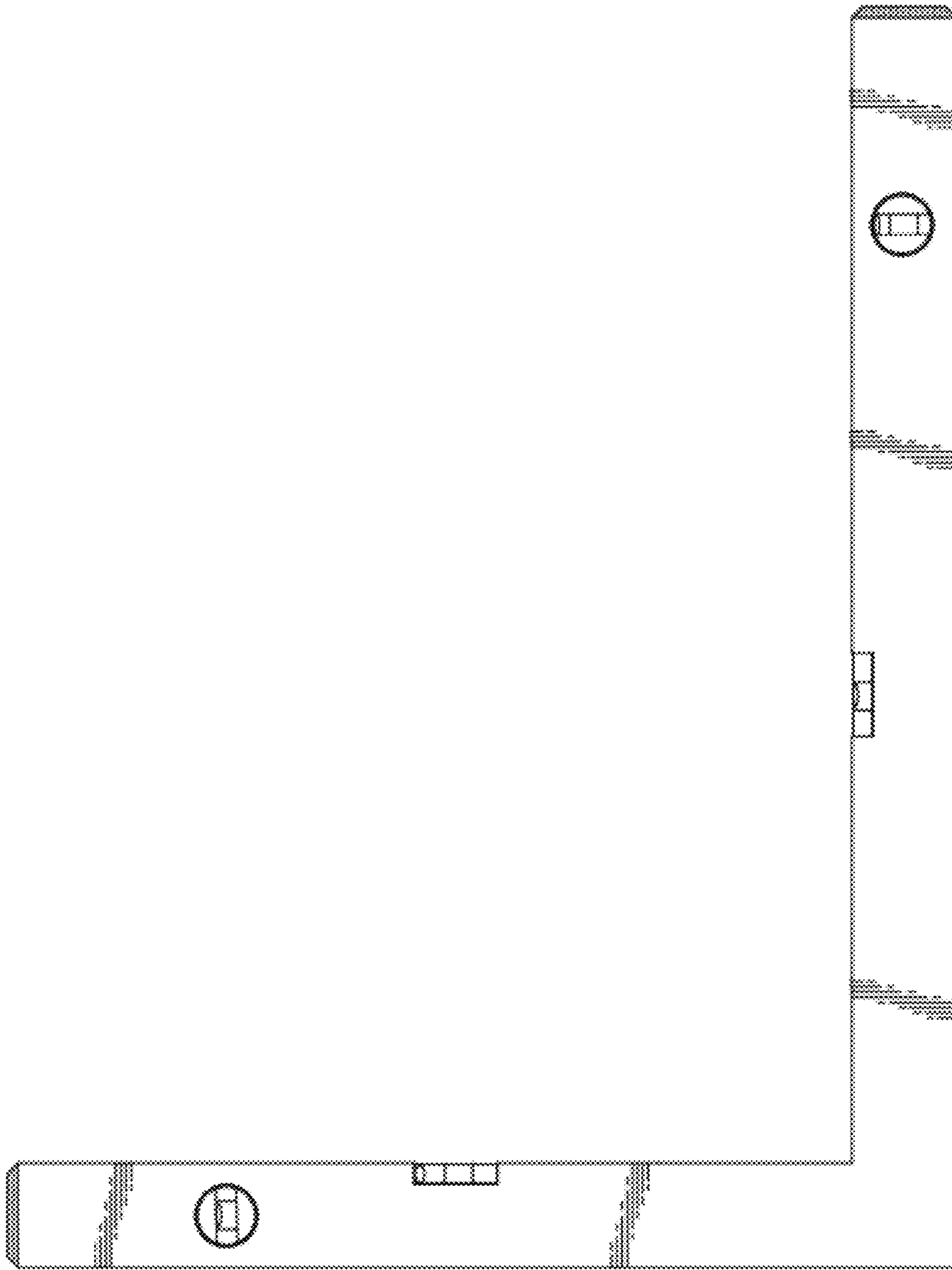


FIG. 1

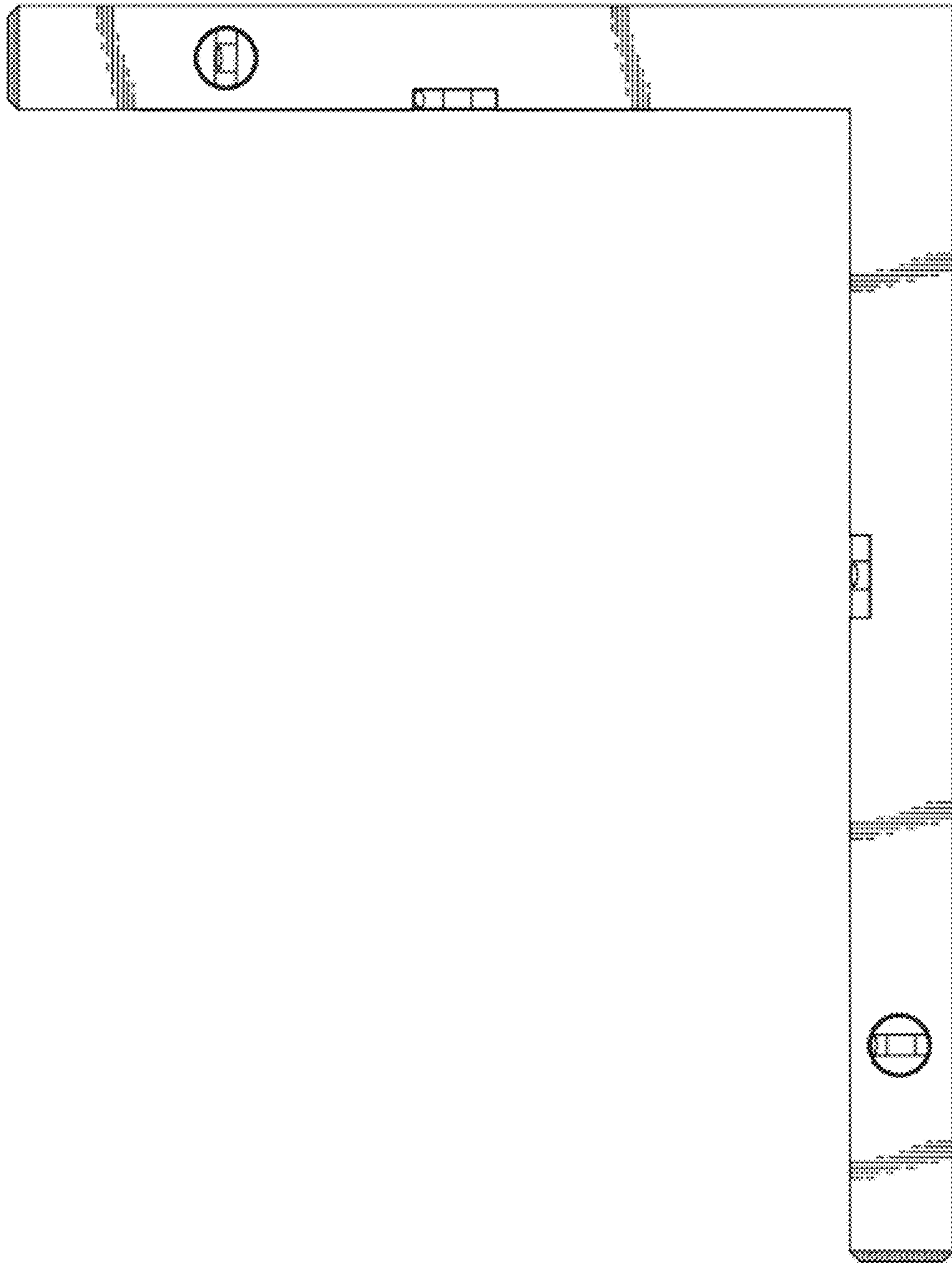


FIG. 2



FIG. 4



FIG. 3

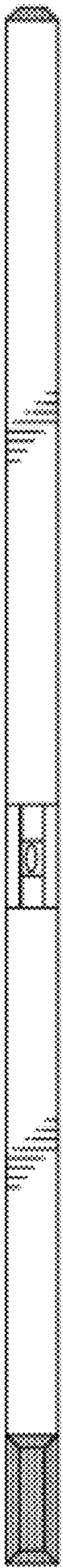


FIG. 5



FIG. 6

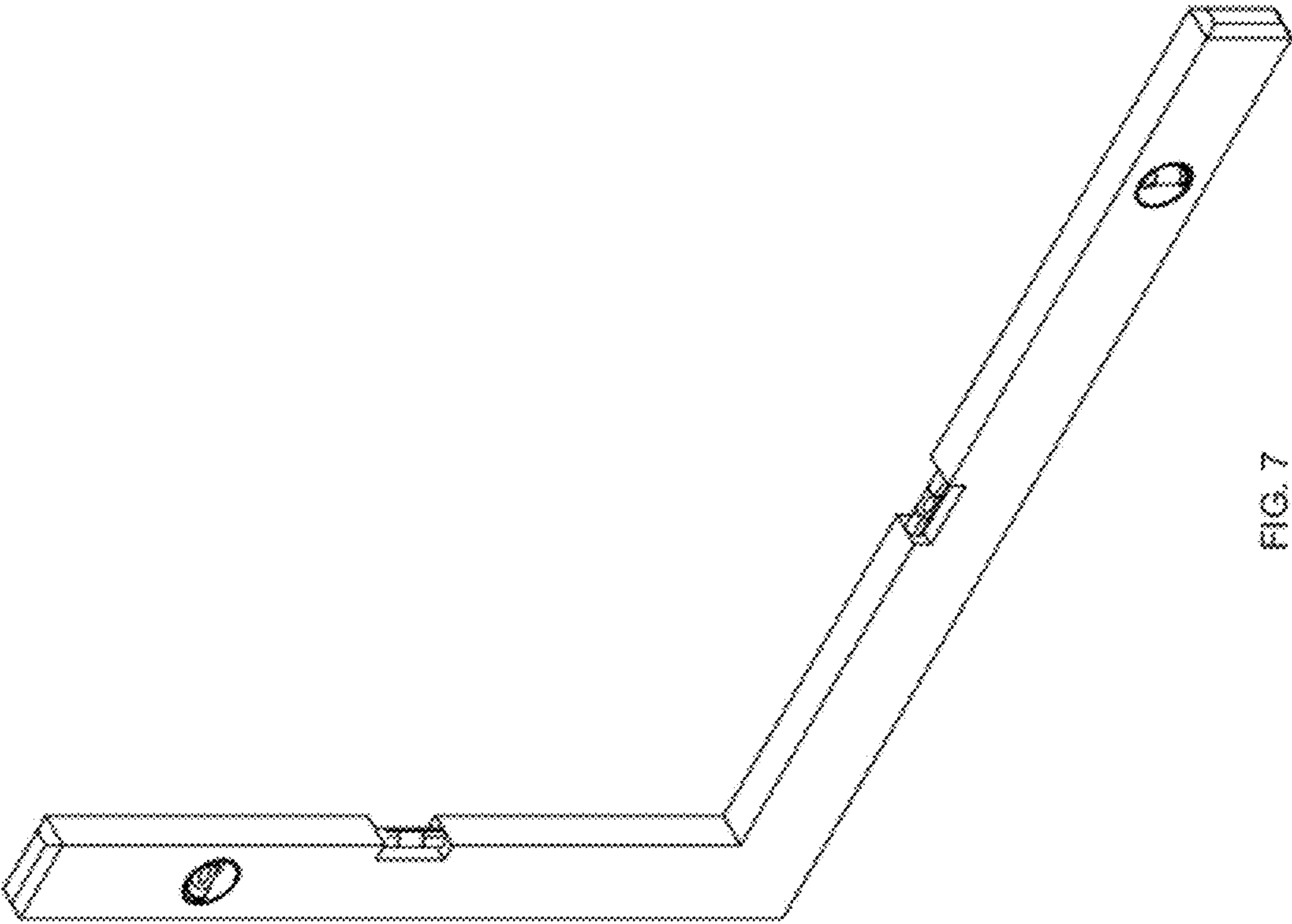


FIG. 7