



US00D657273S

(12) **United States Design Patent**
Krohmer et al.

(10) **Patent No.:** **US D657,273 S**

(45) **Date of Patent:** **** Apr. 10, 2012**

(54) **ADJUSTABLE TRIANGLE**

(75) Inventors: **Steve Donald Krohmer**, Coon Rapids, MN (US); **Daniel L. Wenning**, Minneapolis, MN (US)

(73) Assignee: **Rockler Companies, Inc.**, Medina, MN (US)

(**) Term: **14 Years**

(21) Appl. No.: **29/385,883**

(22) Filed: **Feb. 22, 2011**

(51) **LOC (9) Cl.** **10-04**

(52) **U.S. Cl.** **D10/65**

(58) **Field of Classification Search** D10/65;
33/451-458, 534-538, 279

See application file for complete search history.

(56) **References Cited**

U.S. PATENT DOCUMENTS

D136,500	S	*	10/1943	Gilner	D10/65
D363,679	S	*	10/1995	Spencer	D10/65
6,314,652	B1	*	11/2001	English	33/421
D561,620	S	*	2/2008	Rogell	D10/65
D568,184	S	*	5/2008	Rogell	D10/65
D630,954	S	*	1/2011	Giles	D10/65

OTHER PUBLICATIONS

Alvin Clear Adjustable Triangle product; www.artsuppliesonline.com, Mar. 10, 2011.

Koh-I-Noor Adjustable Trig-Scale with Inking Edge product photo. Koh-I-Noor; www.draftingsteals.com, Mar. 10, 2011.

* cited by examiner

Primary Examiner — Antoine D Davis

(74) *Attorney, Agent, or Firm* — Altera Law Group, LLC

(57) **CLAIM**

The ornamental design for an adjustable triangle, as shown and described.

DESCRIPTION

FIG. 1 is a perspective view of the adjustable triangle.

FIG. 2 is a front view thereof.

FIG. 3 is a back view thereof.

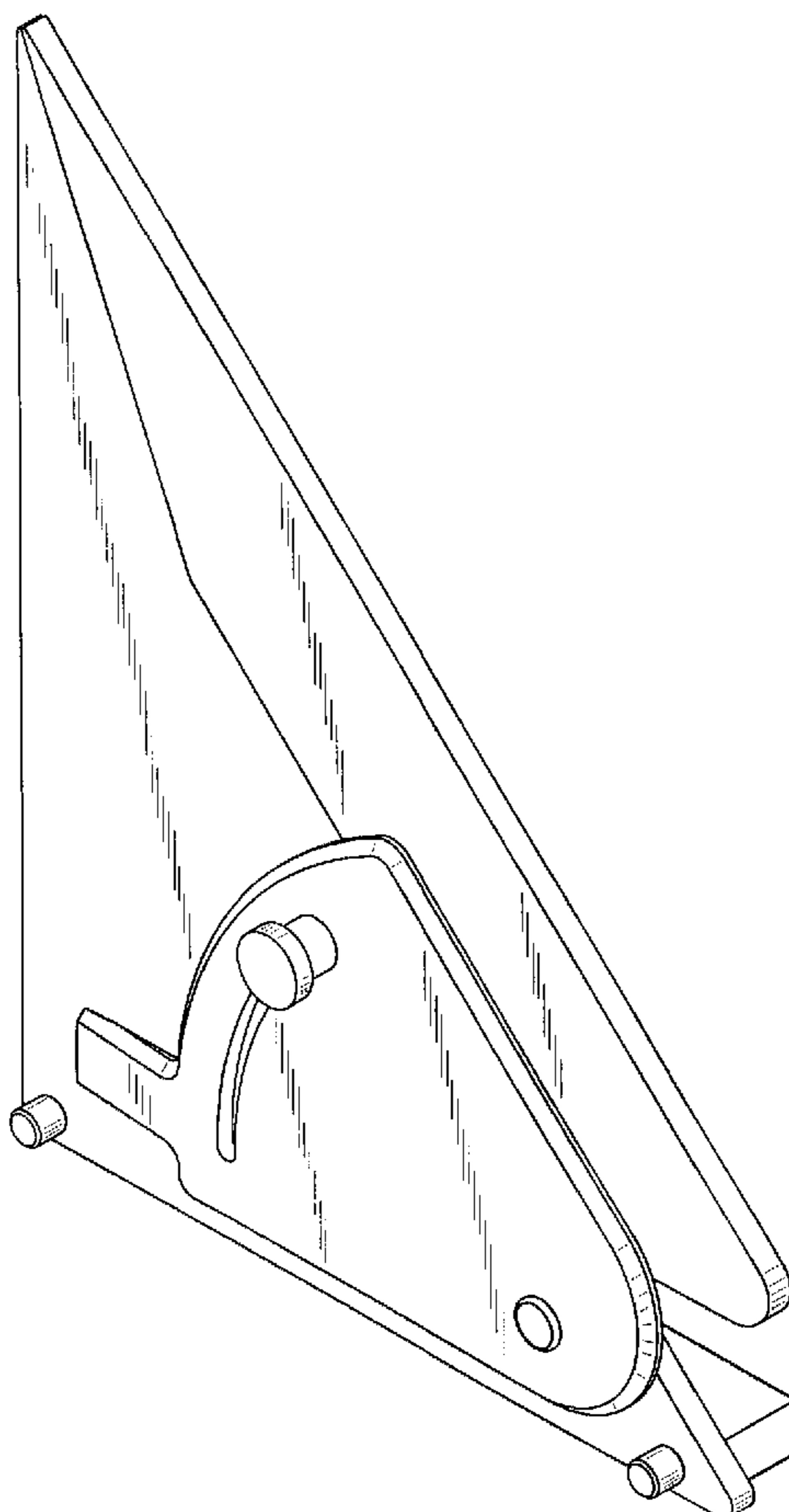
FIG. 4 is a bottom view thereof.

FIG. 5 is a top view thereof.

FIG. 6 is a side view thereof; and,

FIG. 7 is another side view thereof.

1 Claim, 5 Drawing Sheets



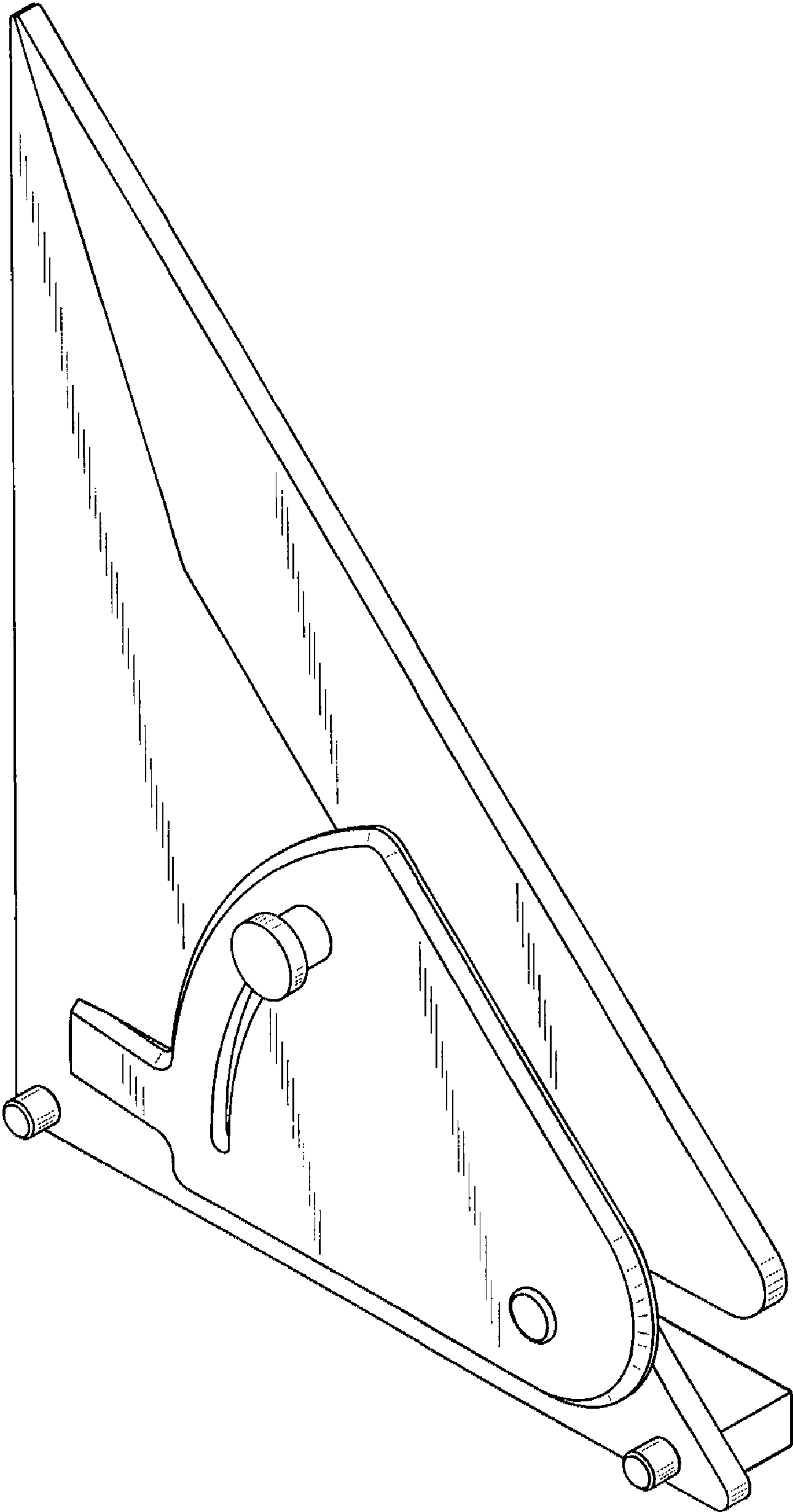


Fig. 1

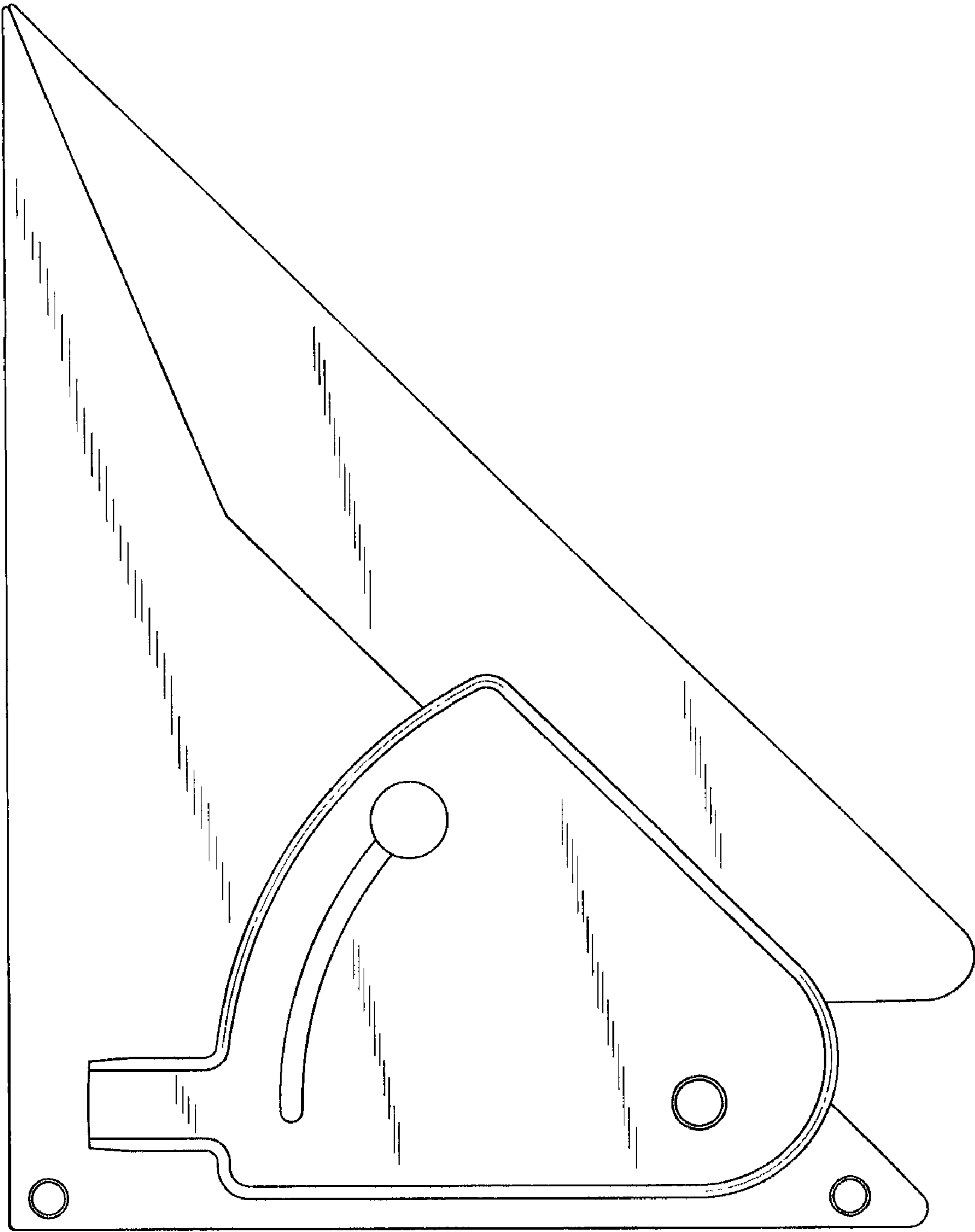


Fig. 2

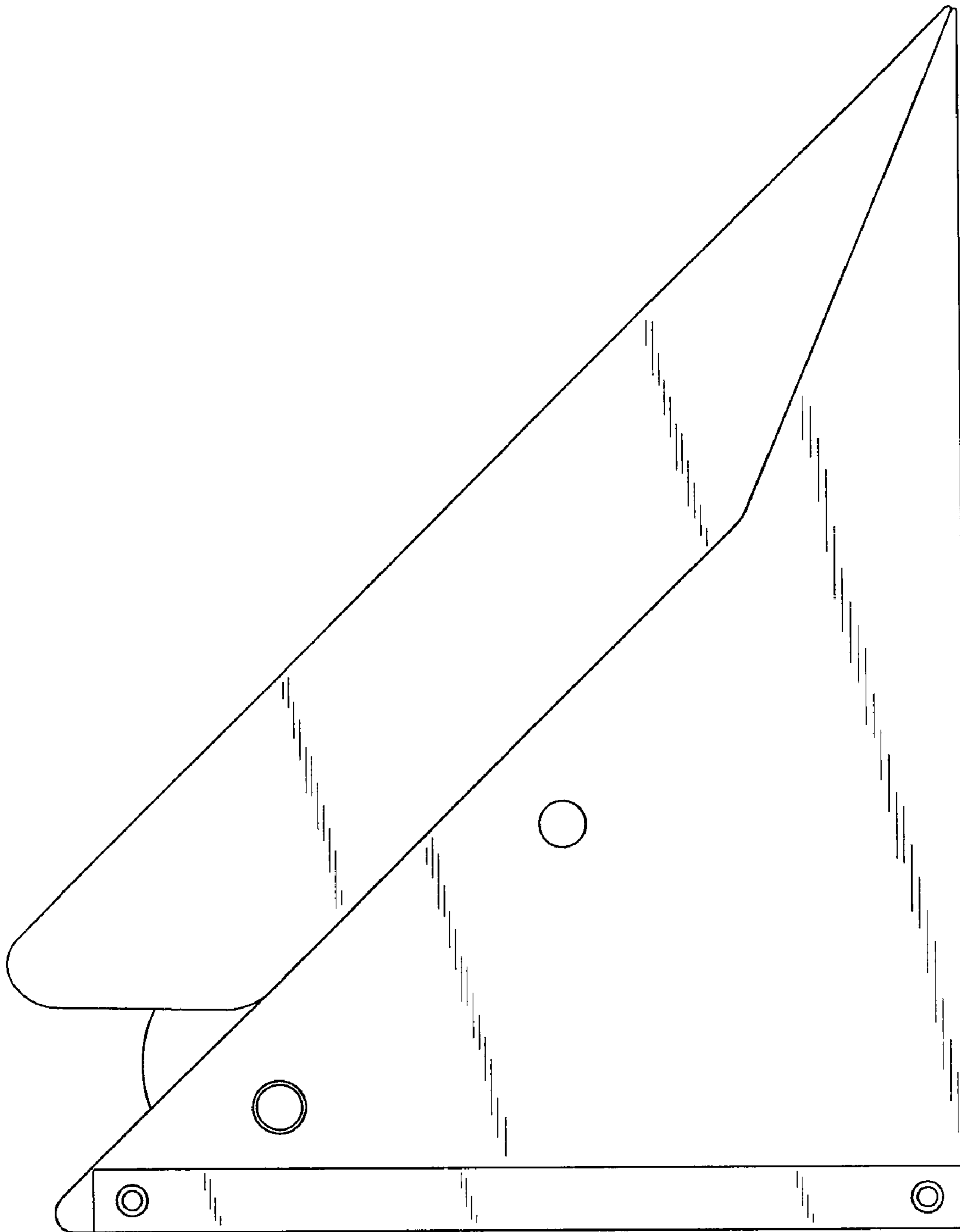


Fig. 3

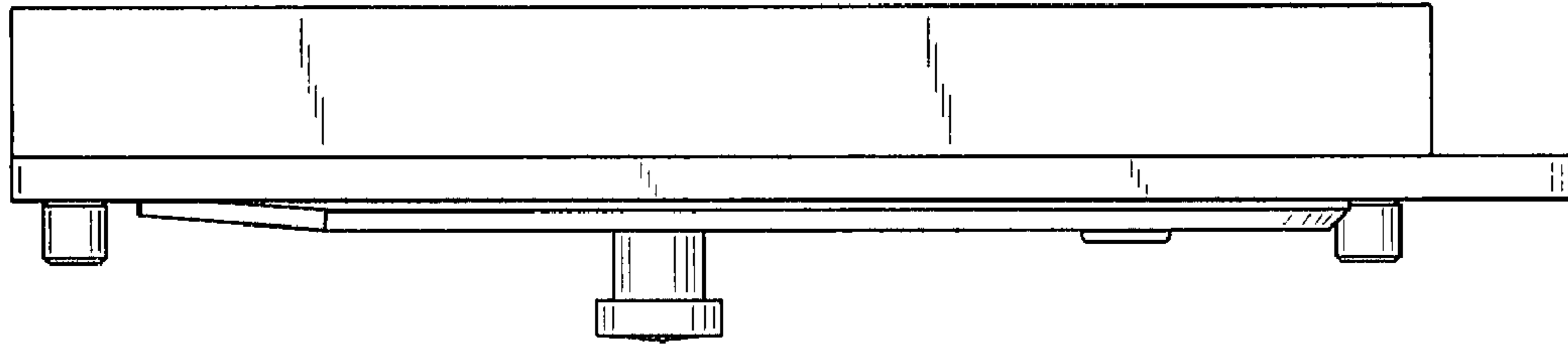


Fig. 4

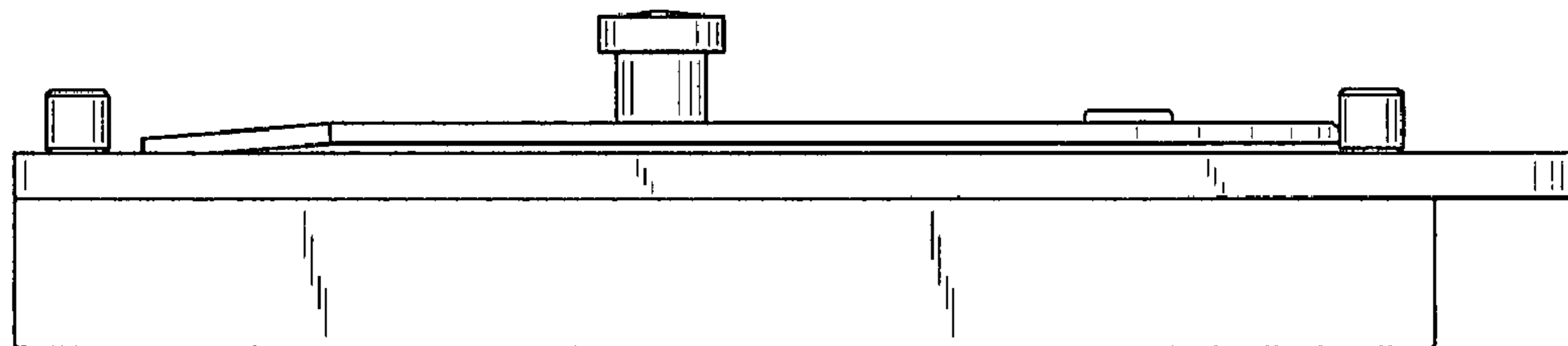


Fig. 5

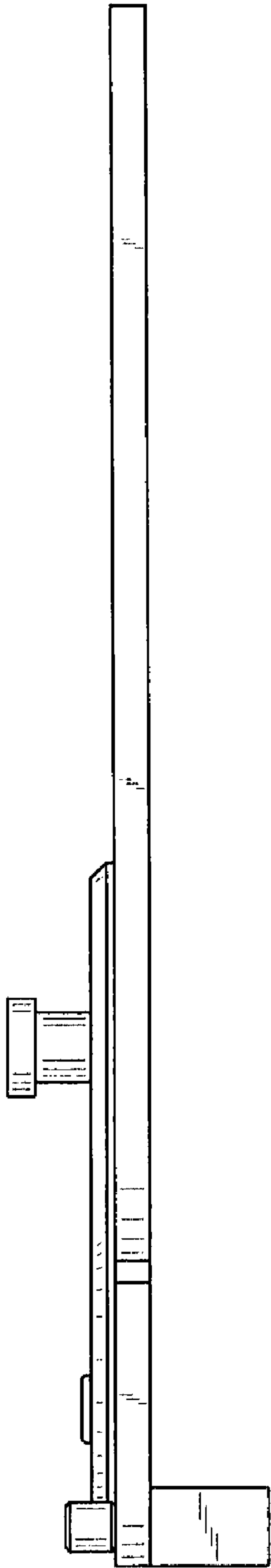


Fig. 6

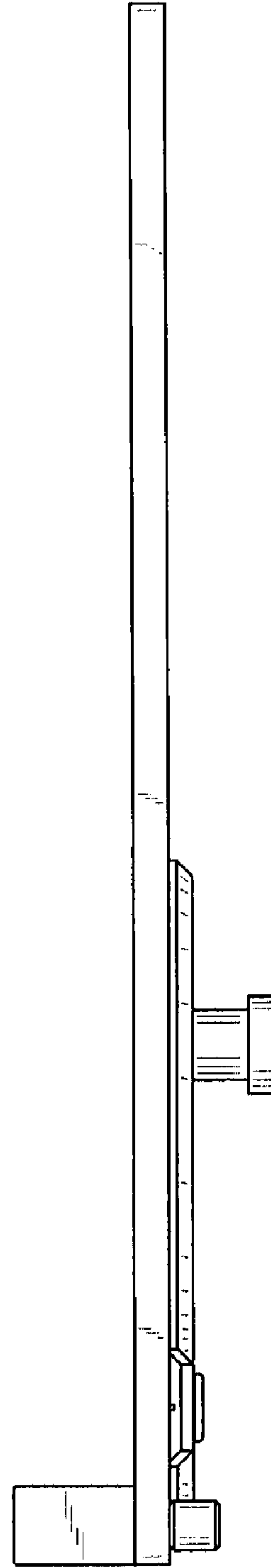


Fig. 7