



US00D657271S

(12) **United States Design Patent**
Quint, Jr.

(10) **Patent No.:** **US D657,271 S**

(45) **Date of Patent:** **** Apr. 10, 2012**

(54) **ANGLE MEASURING TOOL**

(76) Inventor: **Richard L. Quint, Jr.**, Walnut Creek, CA (US)

(**) Term: **14 Years**

(21) Appl. No.: **29/379,324**

(22) Filed: **Nov. 17, 2010**

(51) **LOC (9) Cl.** **10-04**

(52) **U.S. Cl.** **D10/65; D10/70**

(58) **Field of Classification Search** D10/65, D10/70; 33/451, 286, 365, 366.11

See application file for complete search history.

(56) **References Cited**

U.S. PATENT DOCUMENTS

672,213	A	4/1901	Holcomb	
822,782	A	6/1906	Smith	
875,462	A	12/1907	Rowan	
978,525	A	12/1910	Werts	
2,495,558	A	1/1950	Walton	
D259,546	S *	6/1981	Simon	D10/65
D306,980	S	4/1990	Pivovarovff	
D314,157	S	1/1991	Telles	
D376,110	S *	12/1996	Quint, Jr.	D10/65
D385,500	S	10/1997	Quint, Jr.	
D568,772	S *	5/2008	Li et al.	D10/65
D610,477	S *	2/2010	Li et al.	D10/65

* cited by examiner

Primary Examiner — Antoine D. Davis

(74) *Attorney, Agent, or Firm* — Donald L. Beeson; Beeson Skinner Beverly, LLP

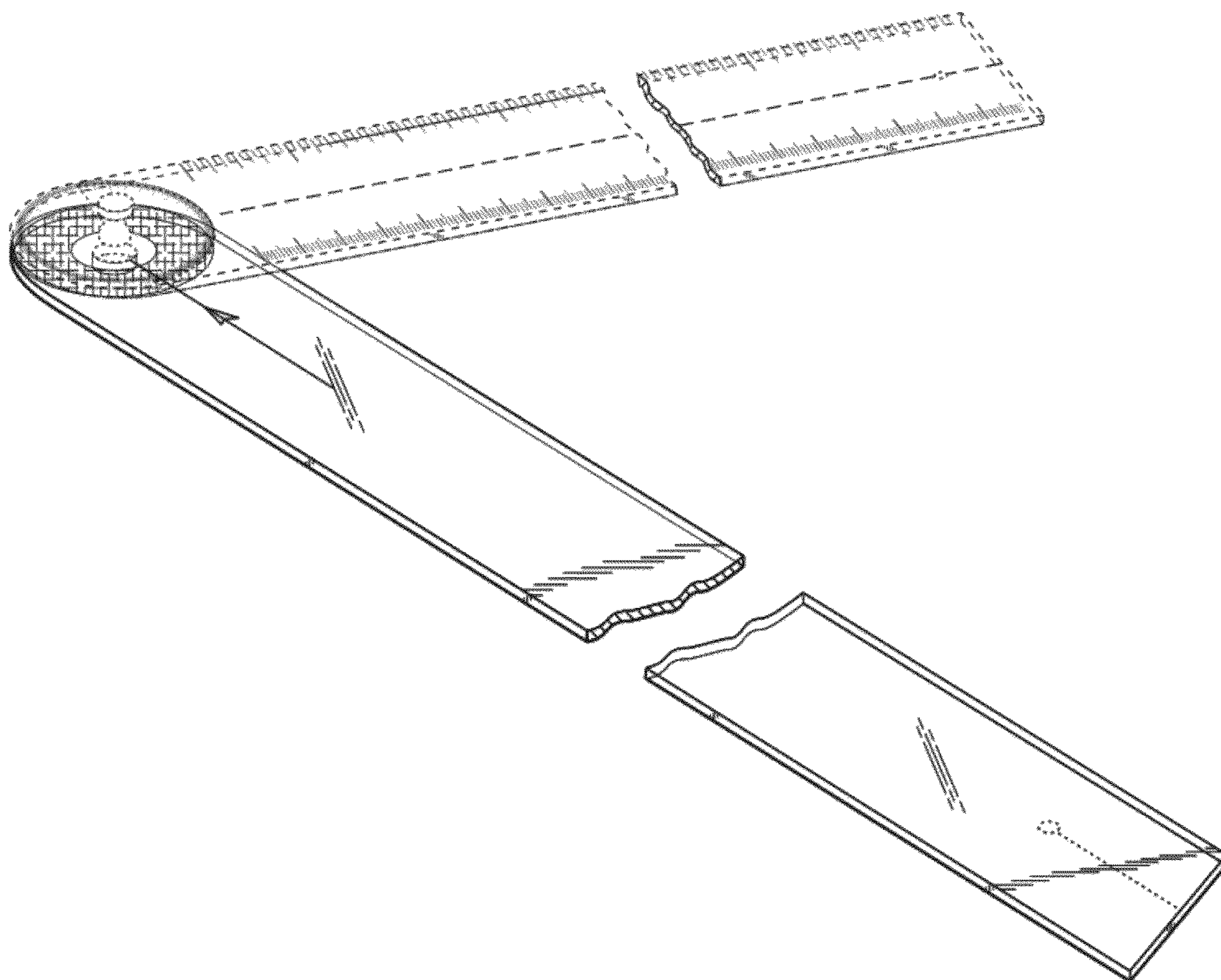
(57) **CLAIM**

The ornamental design for an angle measuring tool, as shown and described.

DESCRIPTION

FIG. 1 is a top perspective view of an angle measuring tool showing my new design;
 FIG. 2 is an exploded top perspective view thereof;
 FIG. 3 is a top plan view of the lower arm;
 FIG. 4 is a right side elevational view of the lower arm thereof; the left side being a mirror image;
 FIG. 5 is front end elevational view of the lower arm thereof; and,
 FIG. 6 is a rear end elevational view of the lower arm thereof.
 FIGS. 1-4 are broken away to indicate indeterminate length. The broken line showing of the transparent upper arm of the angle measuring tool and the pivot knob for holding the upper and lower arms of the angle measuring tool together in FIGS. 1-3 is for illustrative purposes only and forms no part of the claimed design. The hatching pattern in the annular area shown in FIGS. 1-3 indicates the color yellow.

1 Claim, 3 Drawing Sheets



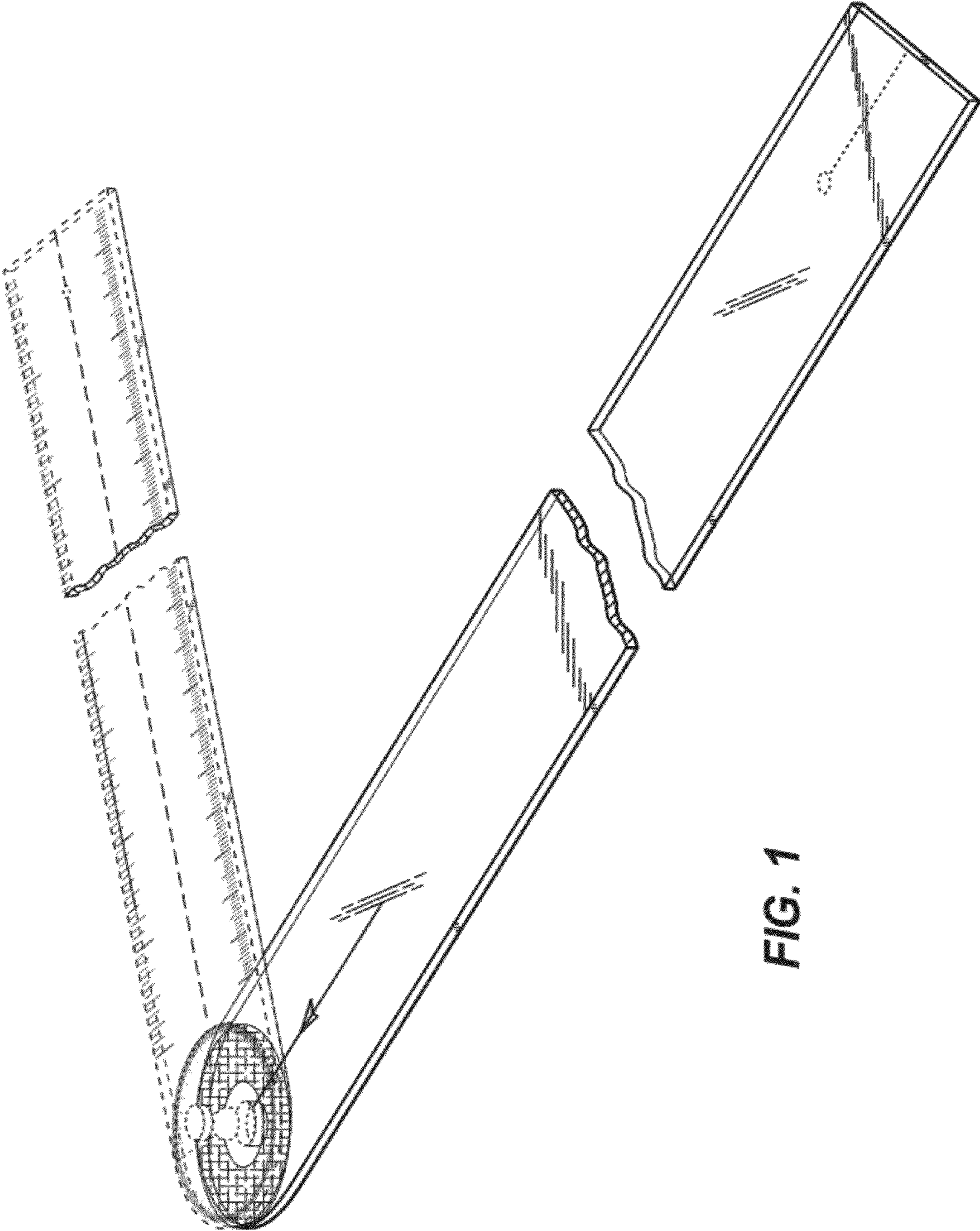
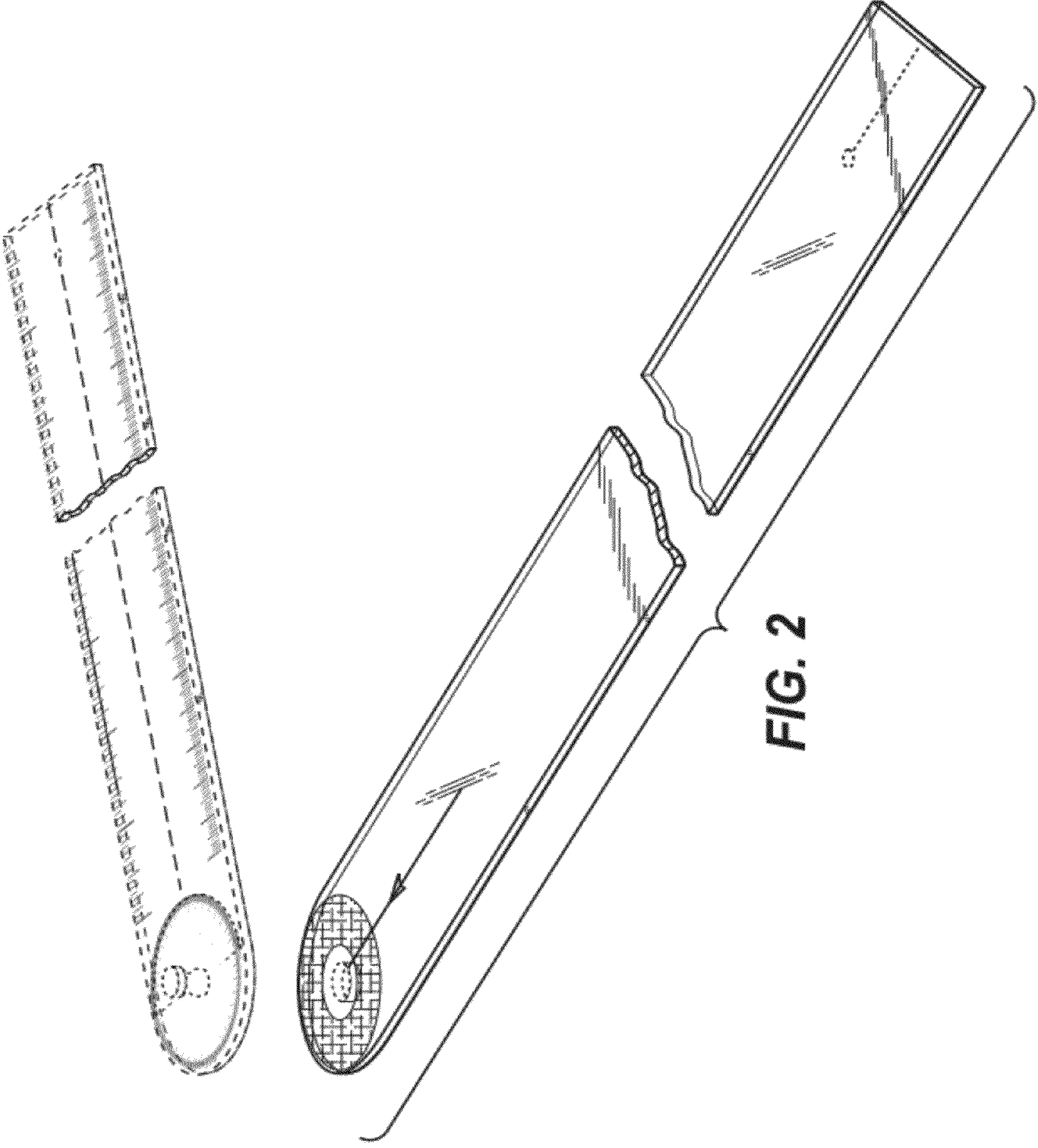


FIG. 1



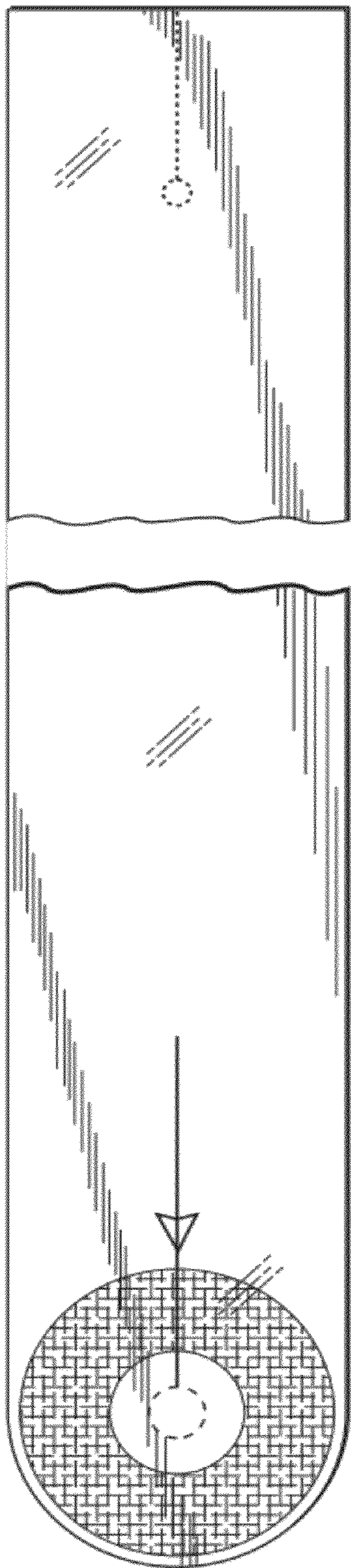


FIG. 3



FIG. 4



FIG. 5



FIG. 6