



US00D657268S

(12) **United States Design Patent**
Rott

(10) **Patent No.:** **US D657,268 S**
(45) **Date of Patent:** **** Apr. 10, 2012**

(54) **INSIGNIA TEMPLATES**

(76) Inventor: **Eric Rott**, Waukegan, IL (US)

(**) Term: **14 Years**

(21) Appl. No.: **29/386,981**

(22) Filed: **Mar. 8, 2011**

(51) **LOC (9) Cl.** **10-04**

(52) **U.S. Cl.** **D10/64**

(58) **Field of Classification Search** D10/64;
33/562-566, 653, 644, 645, 662; 2/246;
40/1.5

See application file for complete search history.

(56) **References Cited**

U.S. PATENT DOCUMENTS

D91,466	S	*	2/1934	McKenna	D10/64
2,387,986	A		10/1945	Evans		
2,681,511	A	*	6/1954	Seton	33/653
3,092,915	A	*	6/1963	Bell	33/653
4,302,884	A		12/1981	Pallone		

5,063,684	A	*	11/1991	Winters	33/653
D358,780	S		5/1995	Lyons		
7,637,028	B2		12/2009	Allen		

* cited by examiner

Primary Examiner — Antoine D Davis

(57) **CLAIM**

I claim the ornamental design for the insignia templates, as shown and described.

DESCRIPTION

FIG. 1 is a perspective view of one of the insignia template aligned upon a corner of a collar of a shirt and of which an insignia is aligned thereon; and wherein both the shirt and the insignia are depicted in broken lines and form no part of the claimed design.

FIG. 2 is a right side view of the claimed design.

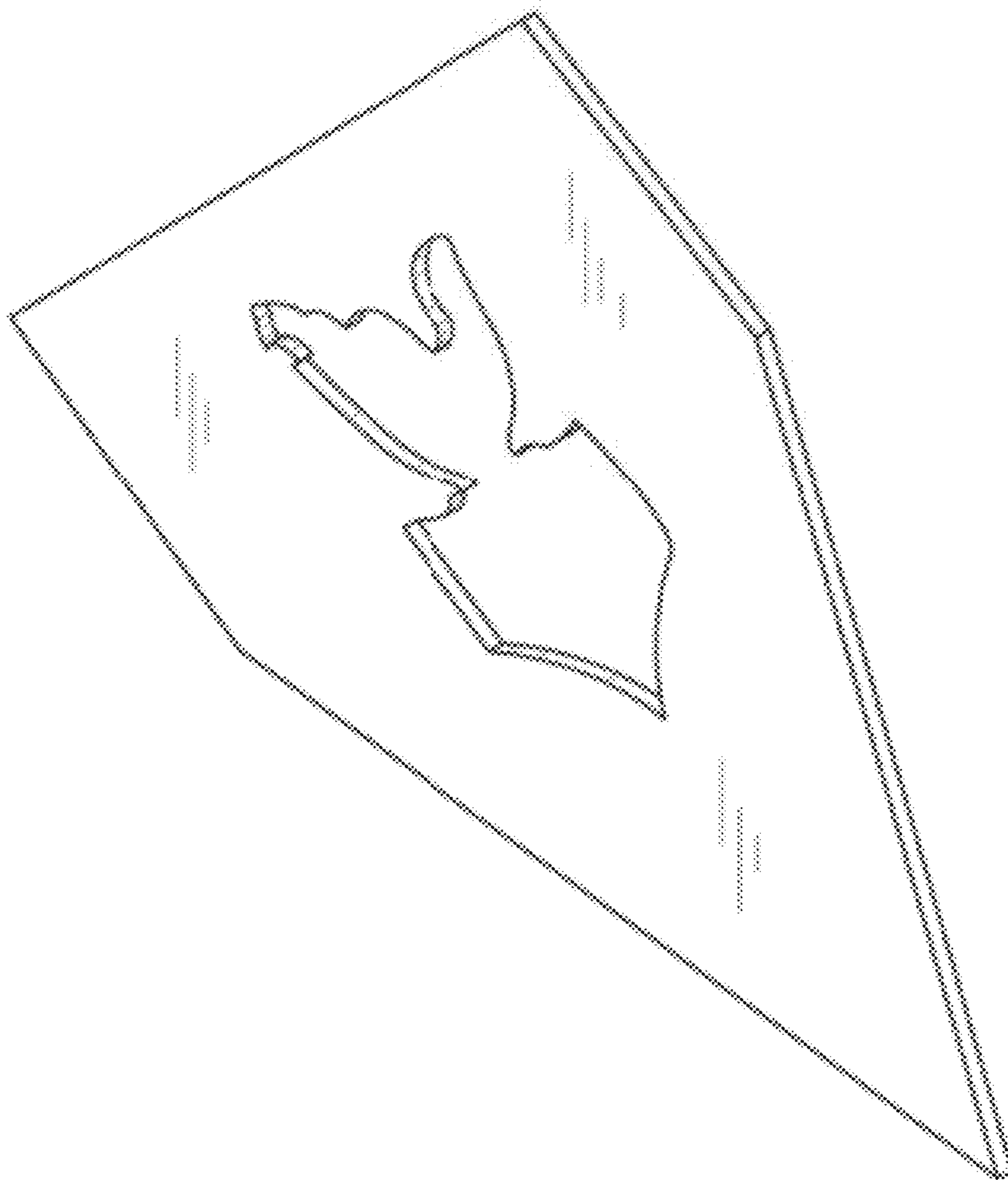
FIG. 3 is a bottom side view of the claimed design.

FIG. 4 is a top view of the claimed design.

FIG. 5 is a perspective view of the claimed design; and,

FIG. 6 is a front view of the insignia templates for use with different insignias.

1 Claim, 3 Drawing Sheets



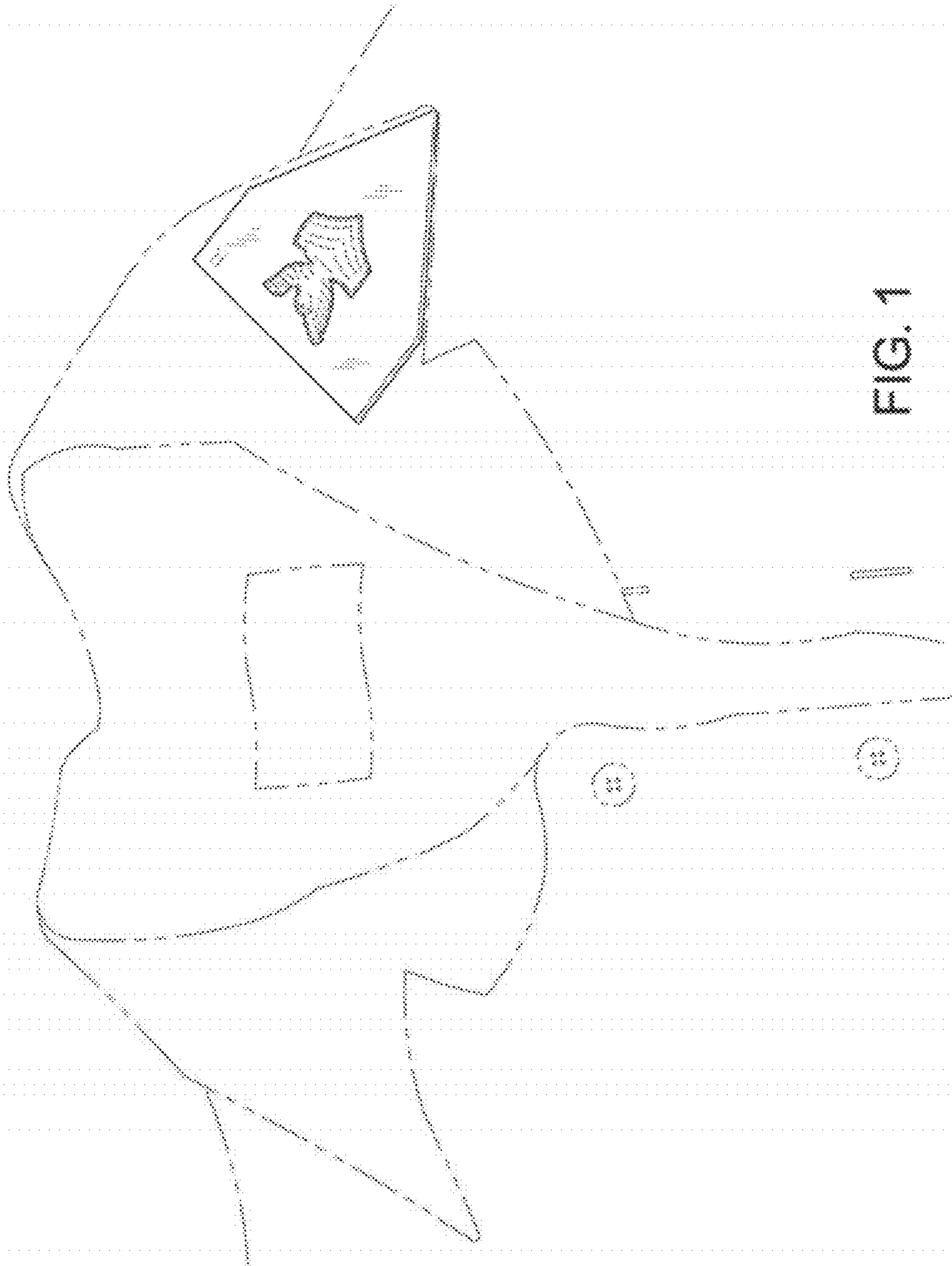


FIG. 1



FIG. 2

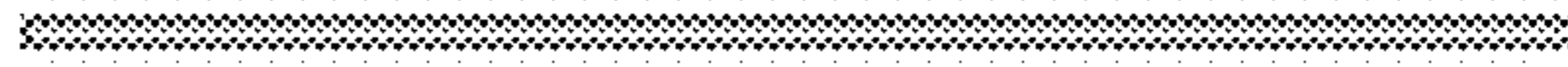


FIG. 3

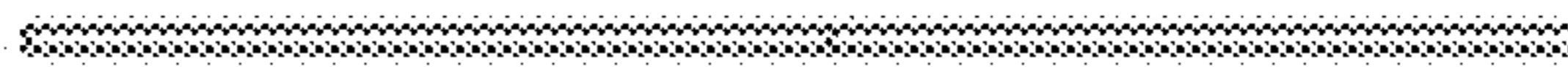


FIG. 4

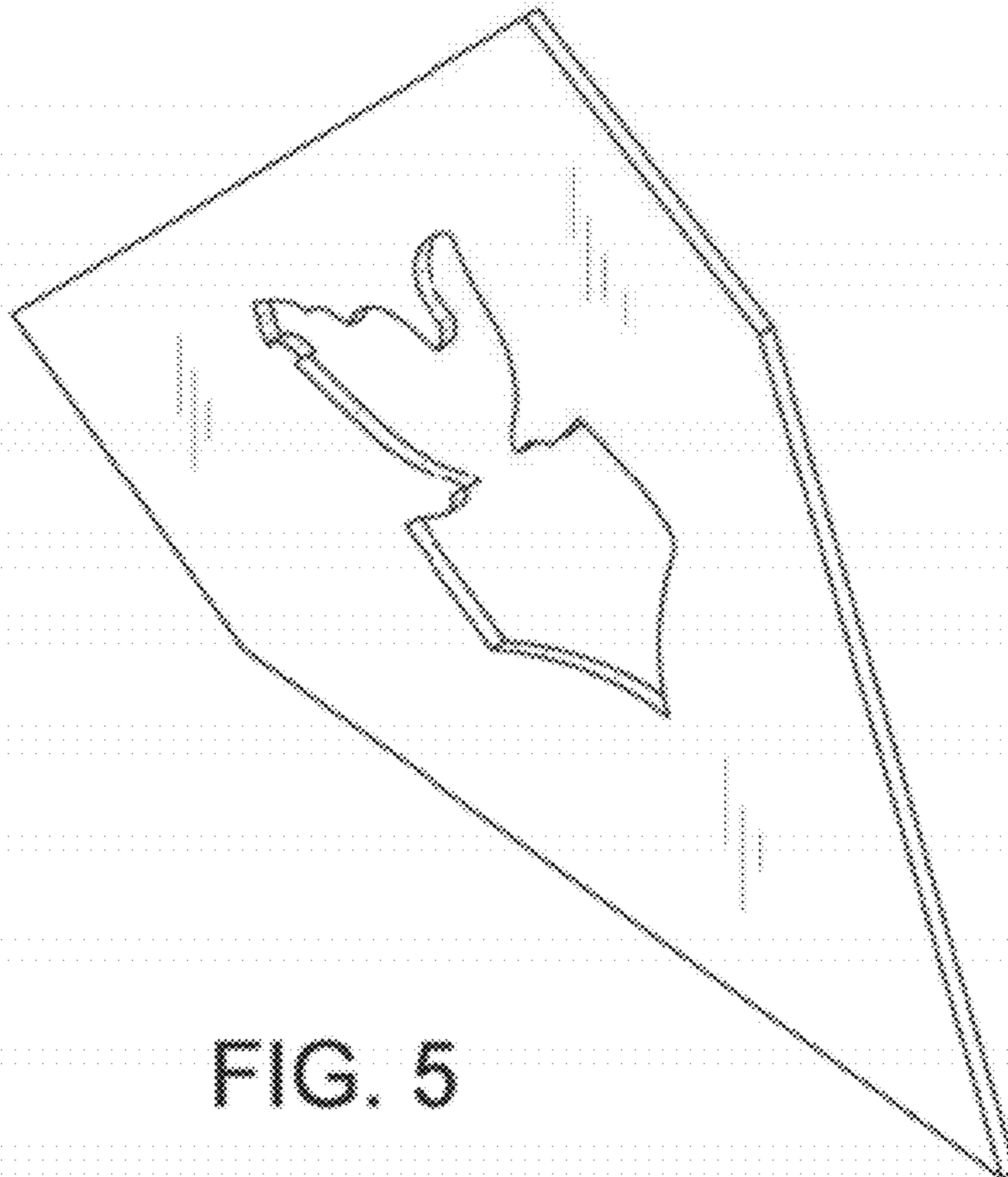


FIG. 5

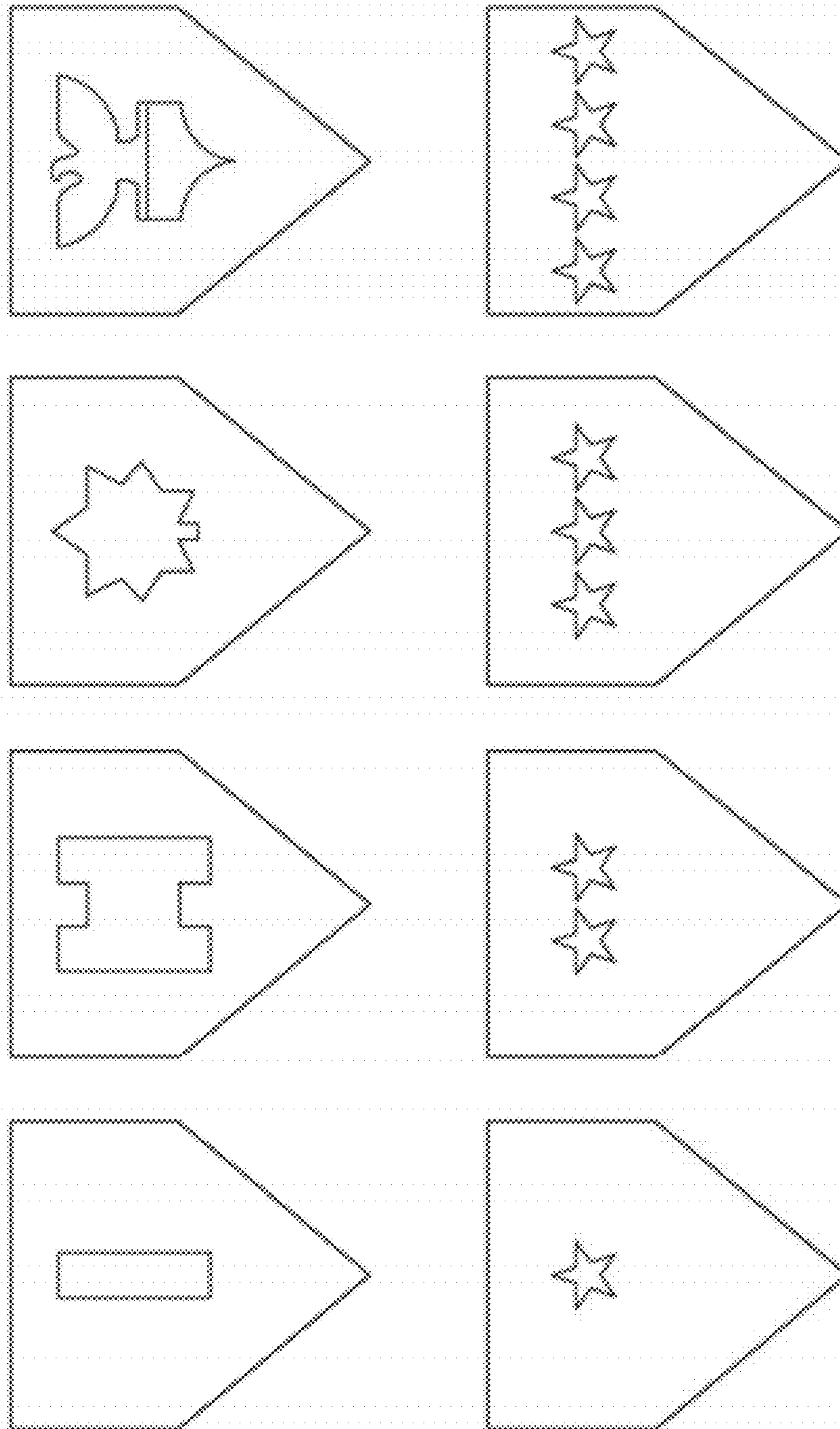


FIG. 6