



US00D657265S

(12) **United States Design Patent**
De Leo

(10) **Patent No.:** **US D657,265 S**
(45) **Date of Patent:** **** Apr. 10, 2012**

(54) **MEASURING CUP**

(75) Inventor: **Anthony M. De Leo**, Orlando, FL (US)

(73) Assignee: **Dart Industries Inc.**, Orlando, FL (US)

(**) Term: **14 Years**

(21) Appl. No.: **29/374,370**

(22) Filed: **Aug. 4, 2011**

(51) **LOC (9) Cl.** **10-04**

(52) **U.S. Cl.** **D10/46.2; D7/691**

(58) **Field of Classification Search** D10/46.2,
D10/46.3; D7/691, 692; 294/55; 73/426-429;
30/324-328

See application file for complete search history.

(56) **References Cited**

U.S. PATENT DOCUMENTS

D198,580 S	7/1964	Swett et al.	
D213,719 S *	4/1969	Gerlich	D10/46.2
3,526,138 A	9/1970	Swett et al.	
D259,462 S	6/1981	Daenen et al.	
D274,776 S	7/1984	Molloy et al.	
D294,213 S	2/1988	Chasen	
D319,985 S	9/1991	Crawford et al.	
D330,863 S	11/1992	Green	
D394,217 S	5/1998	Laib	
D396,011 S	7/1998	Henriksson	
D486,745 S	2/2004	Mastroianni	

D488,079 S	4/2004	Mastroianni	
D495,964 S	9/2004	Overthun et al.	
D503,317 S	3/2005	Anderson	
D511,437 S *	11/2005	Brown	D7/602
D518,391 S *	4/2006	McGuyer	D10/46.2
D519,333 S	4/2006	Stewart	
D571,674 S *	6/2008	Carallo	D10/46.2
D621,729 S	8/2010	Blust et al.	
D624,836 S	10/2010	Blust et al.	

* cited by examiner

Primary Examiner — Terry Wallace

(74) *Attorney, Agent, or Firm* — John A. Doninger

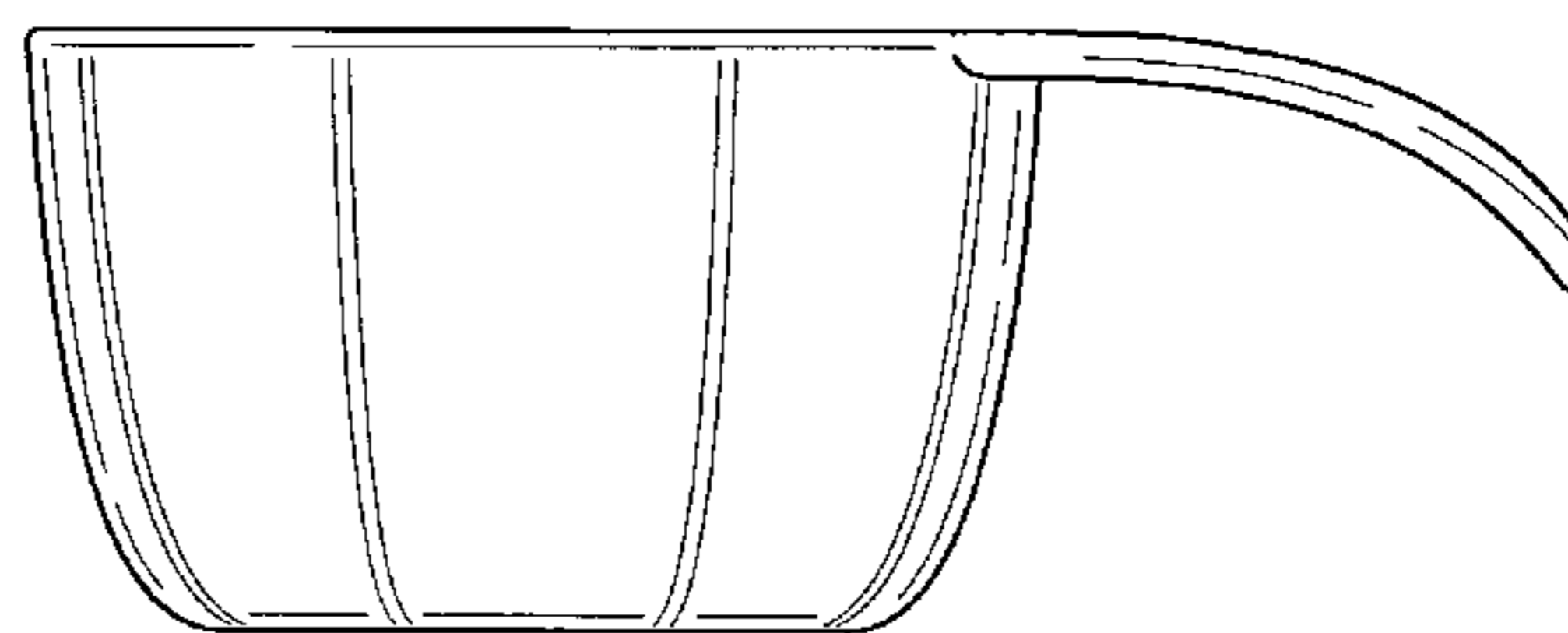
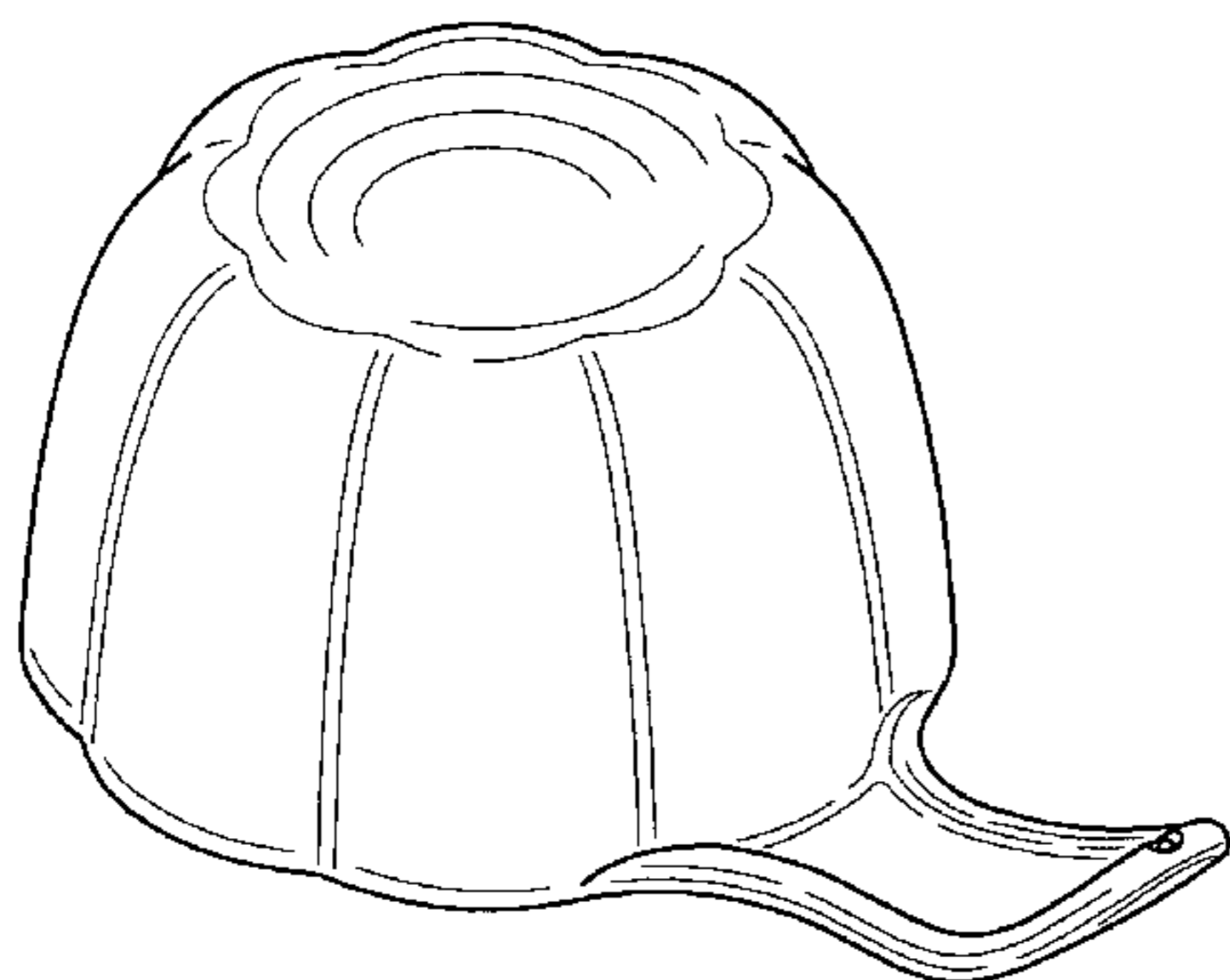
(57) **CLAIM**

The ornamental design for measuring cup, as shown and described.

DESCRIPTION

FIG. 1 is a top, side and front perspective view of the first embodiment of measuring cup showing my new design; FIG. 2 is a bottom, side and front elevation view thereof; FIG. 3 is a front elevation view, the rear elevation being a mirror image thereof; FIG. 4 is a left side elevation view thereof; FIG. 5 is a right side elevation view thereof; FIG. 6 is a top plan view thereof; and, FIG. 7 is a bottom plan view thereof.

1 Claim, 2 Drawing Sheets



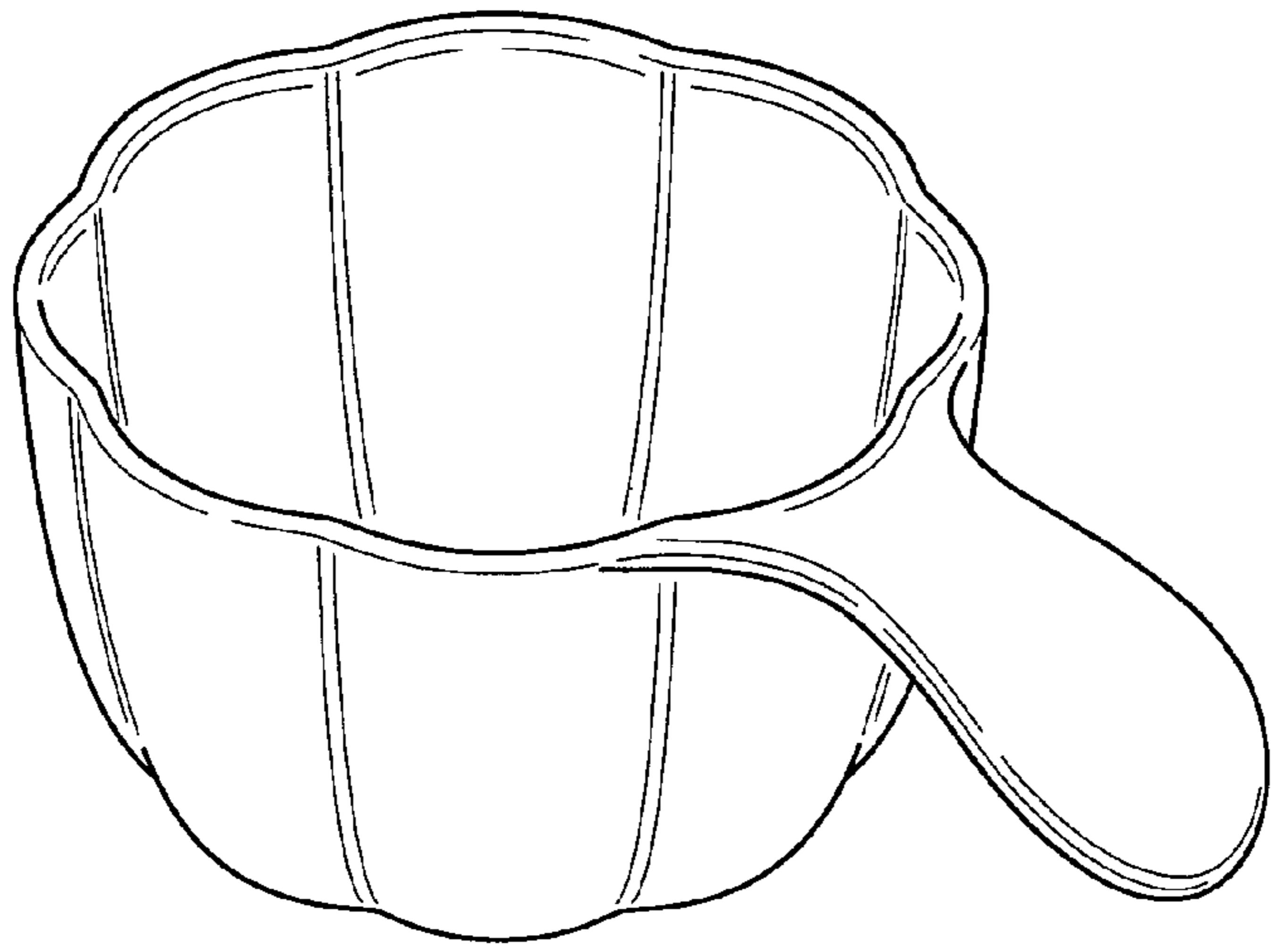


FIG. 1

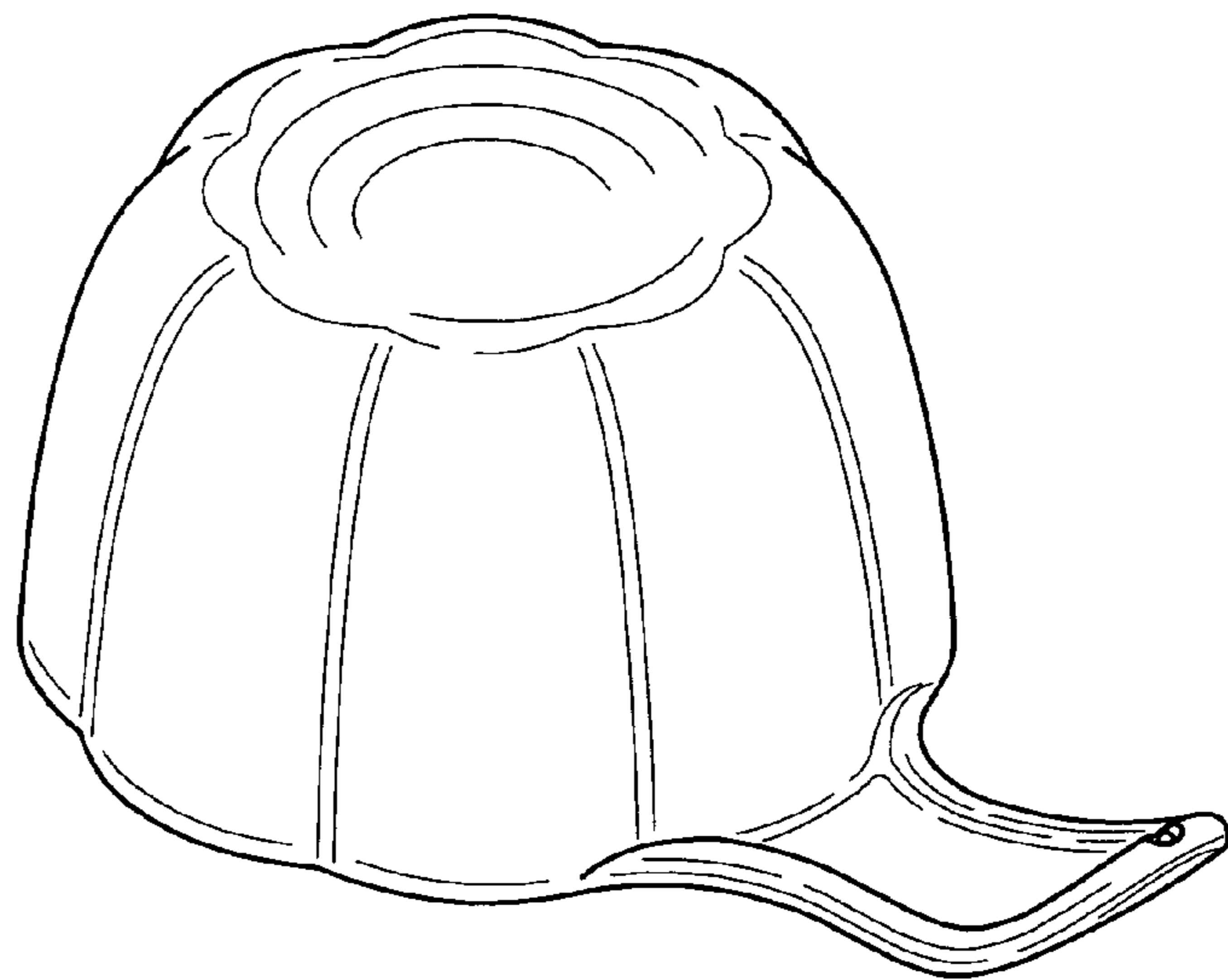


FIG. 2

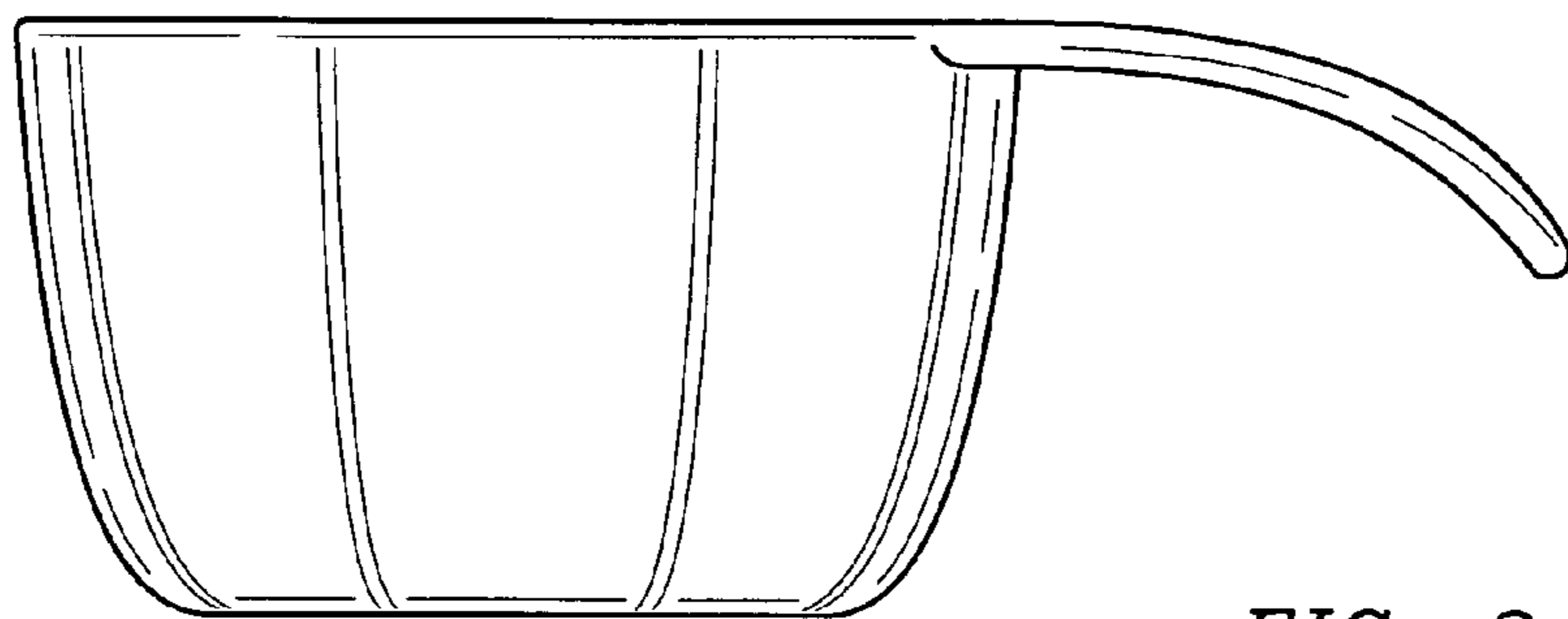


FIG. 3

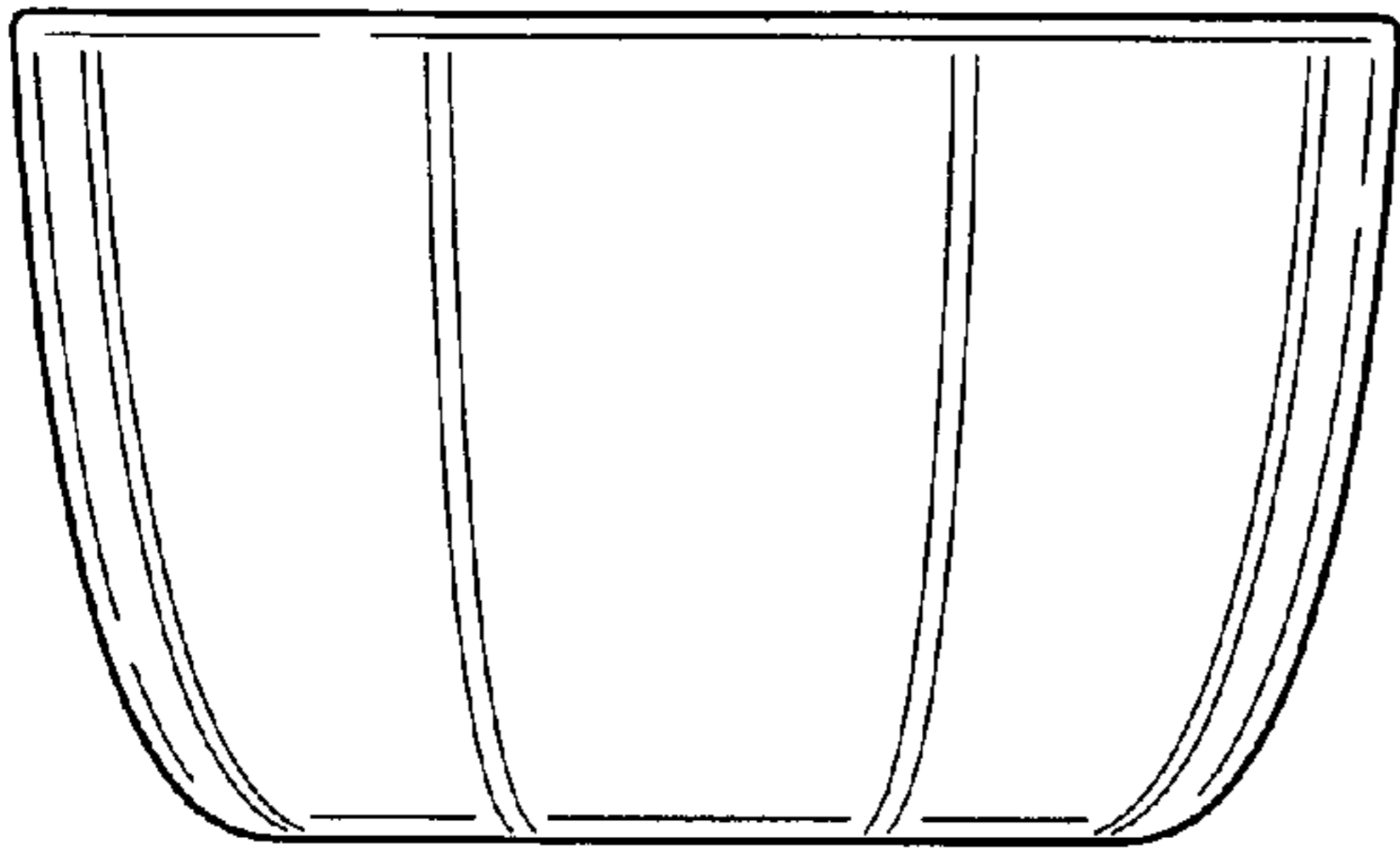


FIG. 4

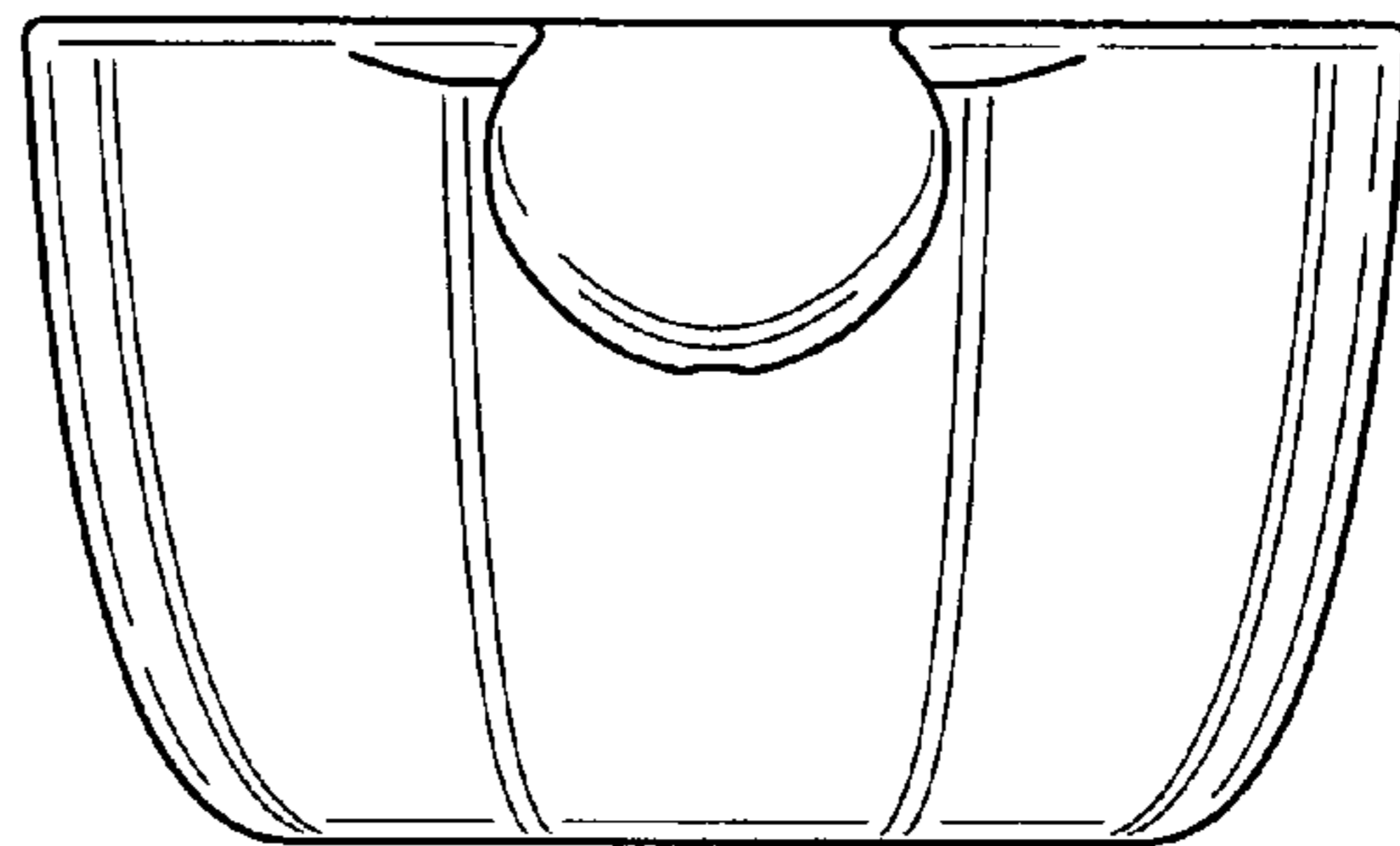


FIG. 5

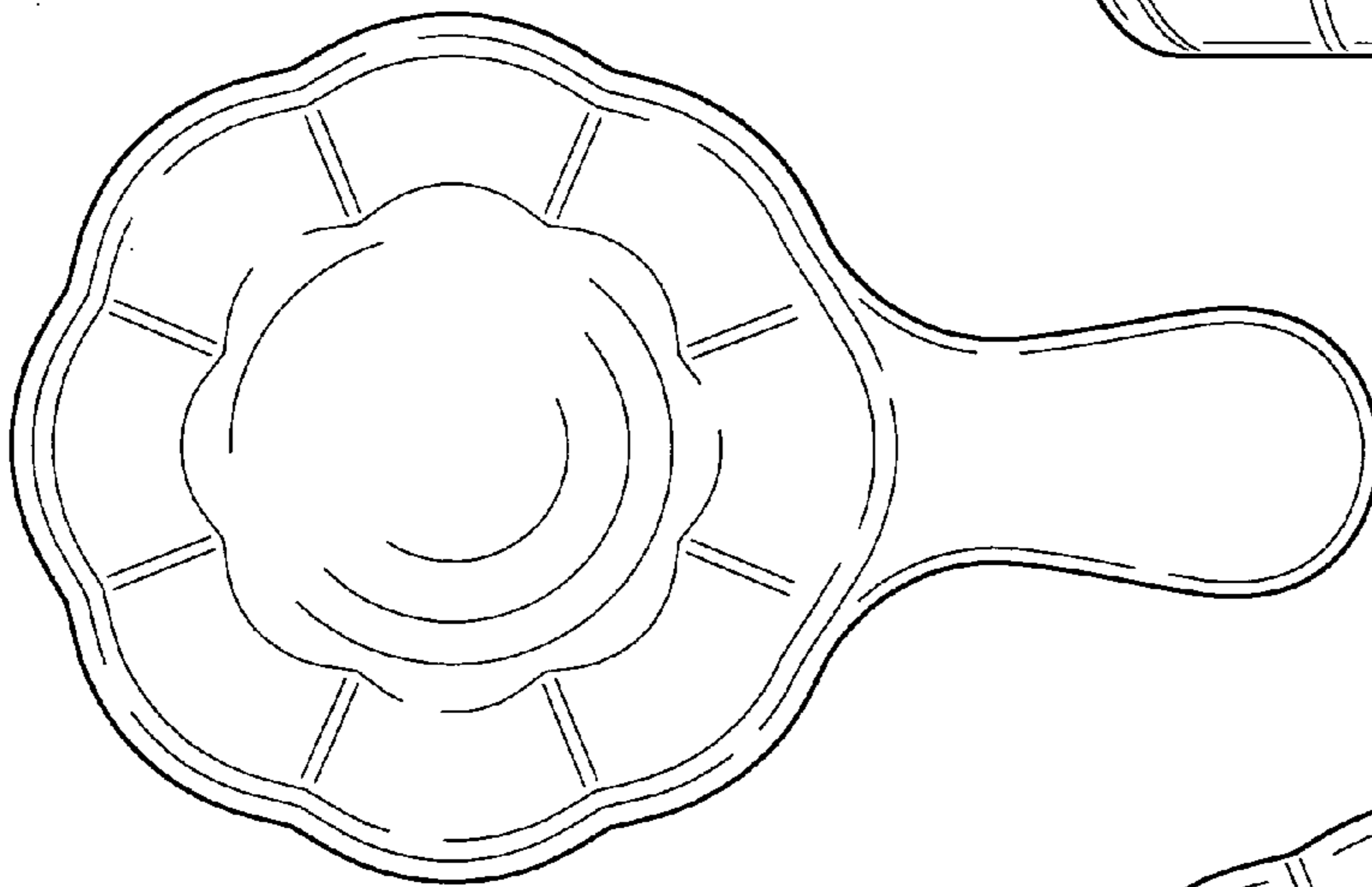


FIG. 6

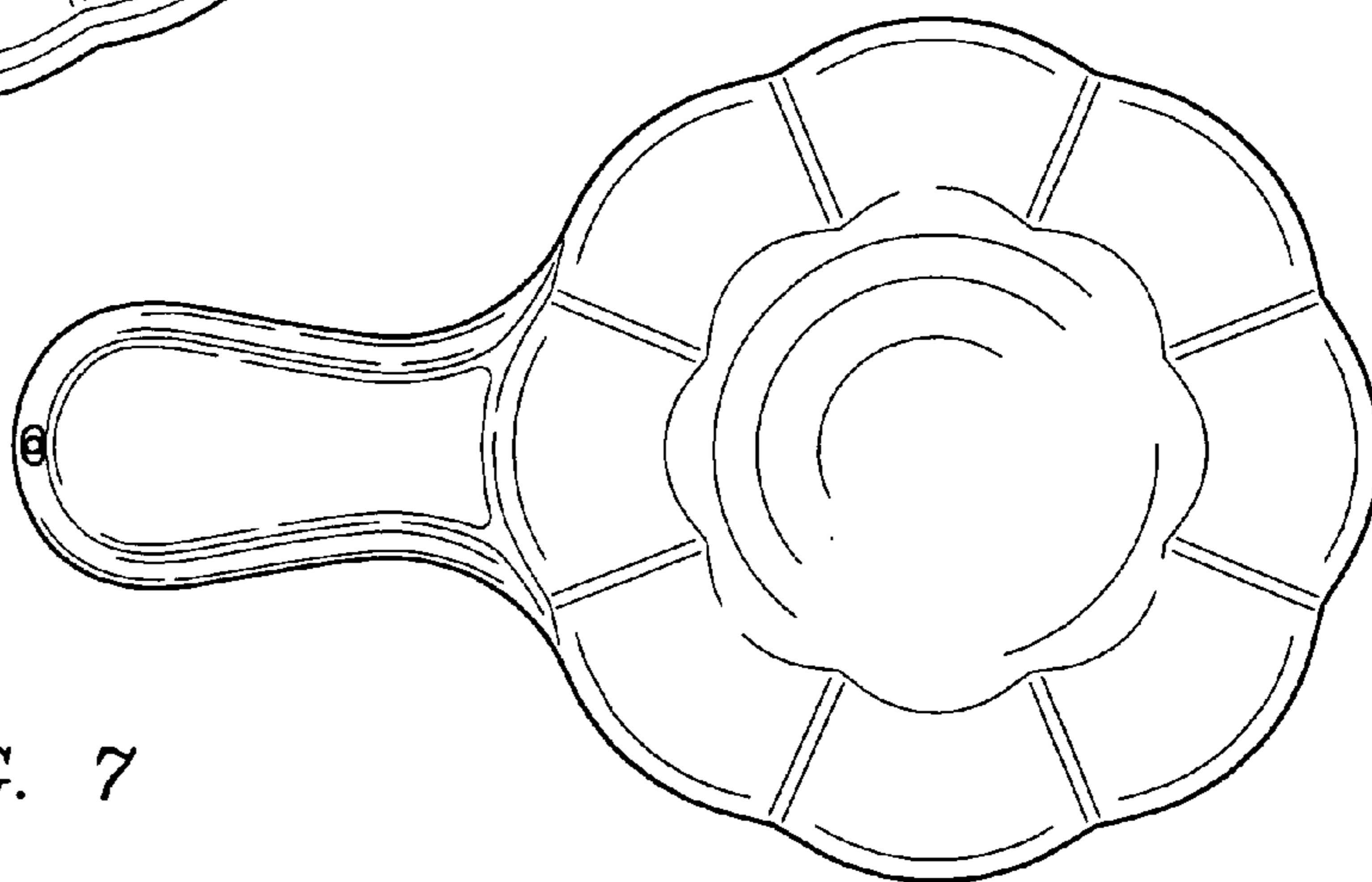


FIG. 7