



US00D657264S

(12) **United States Design Patent**  
**Nies et al.**

(10) **Patent No.:** **US D657,264 S**  
(45) **Date of Patent:** **\*\* Apr. 10, 2012**

- (54) **COMBINED WATER TIMER AND CONTROLLER**
- (75) Inventors: **Juergen Nies**, Winchester, VA (US); **Ha Van Duong**, Winchester, VA (US); **Vicky Ann Michael**, Winchester, VA (US)
- (73) Assignee: **Melnor, Inc.**, Winchester, VA (US)
- (\*\*) Term: **14 Years**
- (21) Appl. No.: **29/402,351**
- (22) Filed: **Sep. 22, 2011**
- (51) **LOC (9) Cl.** ..... **10-03**
- (52) **U.S. Cl.** ..... **D10/40**
- (58) **Field of Classification Search** ..... D10/40;  
239/68, 69, 70; 137/624.11, 624.12, 324.21,  
137/624.22, 624.18; D23/245  
See application file for complete search history.

D451,412 S *	12/2001	Jacobs et al. ....	D10/40
D467,187 S *	12/2002	Clivio .....	D10/40
D483,679 S *	12/2003	Kaufman et al. ....	D10/40
6,719,010 B1 *	4/2004	Yi-Chang .....	137/624.11
D559,708 S *	1/2008	Michael et al. ....	D10/40
D567,680 S *	4/2008	Michael et al. ....	D10/40
D567,681 S *	4/2008	Michael et al. ....	D10/40
D642,077 S *	7/2011	Nies et al. ....	D10/40
D643,755 S *	8/2011	Nies et al. ....	D10/40
D647,411 S *	10/2011	Barton et al. ....	D10/40

\* cited by examiner

*Primary Examiner* — Lucy Lieberman

(74) *Attorney, Agent, or Firm* — Westerman, Hattori, Daniels & Adrian, LLP

(57) **CLAIM**

The ornamental design for a combined water timer and controller, as shown and described.

**DESCRIPTION**

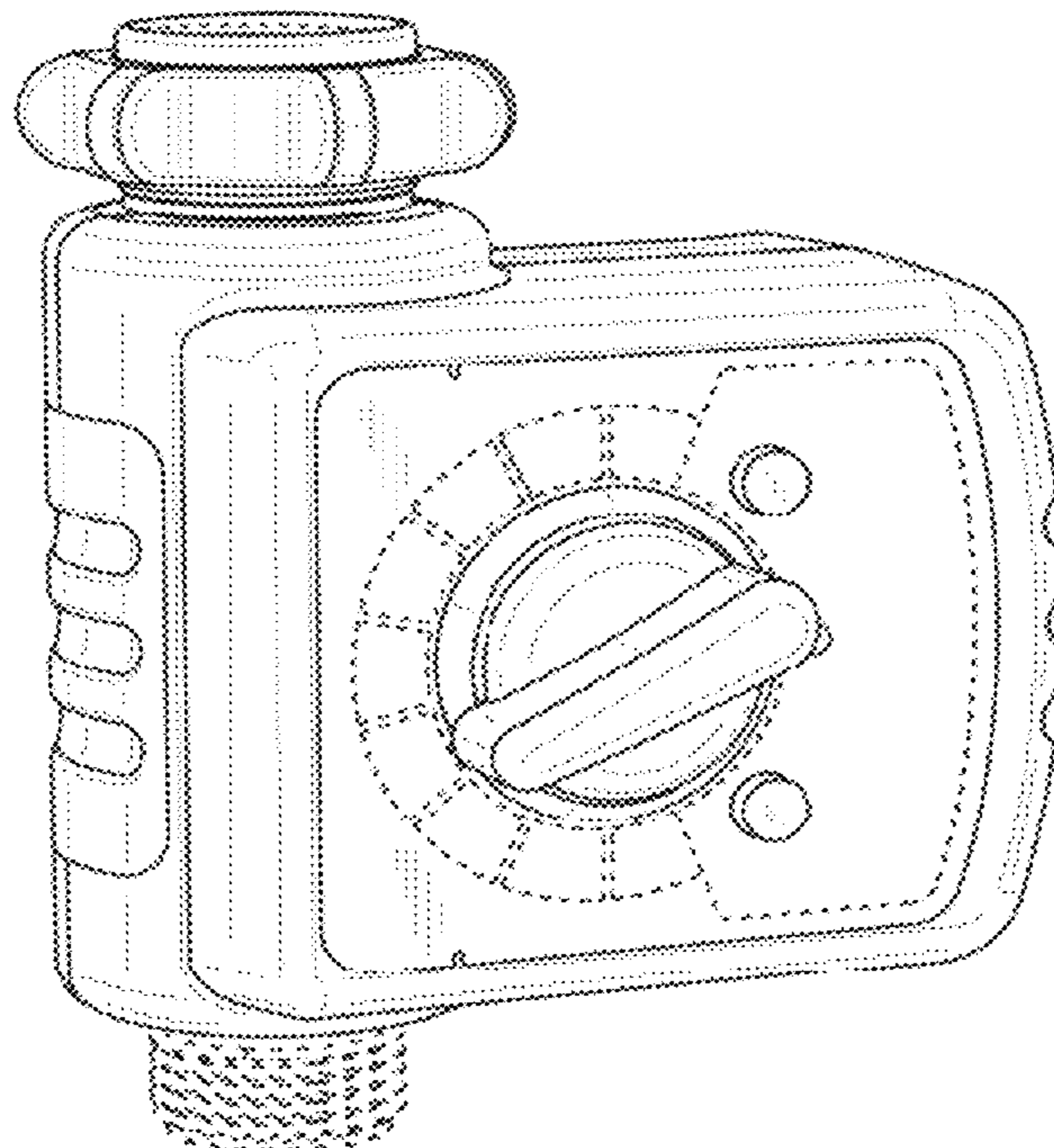
FIG. 1 is a left, front perspective view of a combined water timer and controller;  
 FIG. 2 is a front end view thereof;  
 FIG. 3 is a back end view thereof;  
 FIG. 4 is a top plan view thereof;  
 FIG. 5 is a bottom plan view thereof;  
 FIG. 6 is a left side view thereof; and,  
 FIG. 7 is a right side view thereof.  
 The broken lines illustrate environmental structure and form no part of the claimed design.

**1 Claim, 6 Drawing Sheets**

(56) **References Cited**

U.S. PATENT DOCUMENTS

4,130,135 A *	12/1978	Moore .....	137/624.11
4,633,905 A *	1/1987	Wang .....	137/624.11
4,807,664 A *	2/1989	Wilson et al. ....	137/624.11
D365,771 S *	1/1996	Clivio .....	D10/96
D377,316 S *	1/1997	Roman et al. ....	D10/40
5,826,619 A *	10/1998	Roman .....	137/624.11
D430,044 S *	8/2000	Clivio .....	D10/40
D431,195 S *	9/2000	Clivio .....	D10/40
6,283,139 B1 *	9/2001	Symonds et al. ....	137/78.3
D451,037 S *	11/2001	Jacobs et al. ....	D10/40



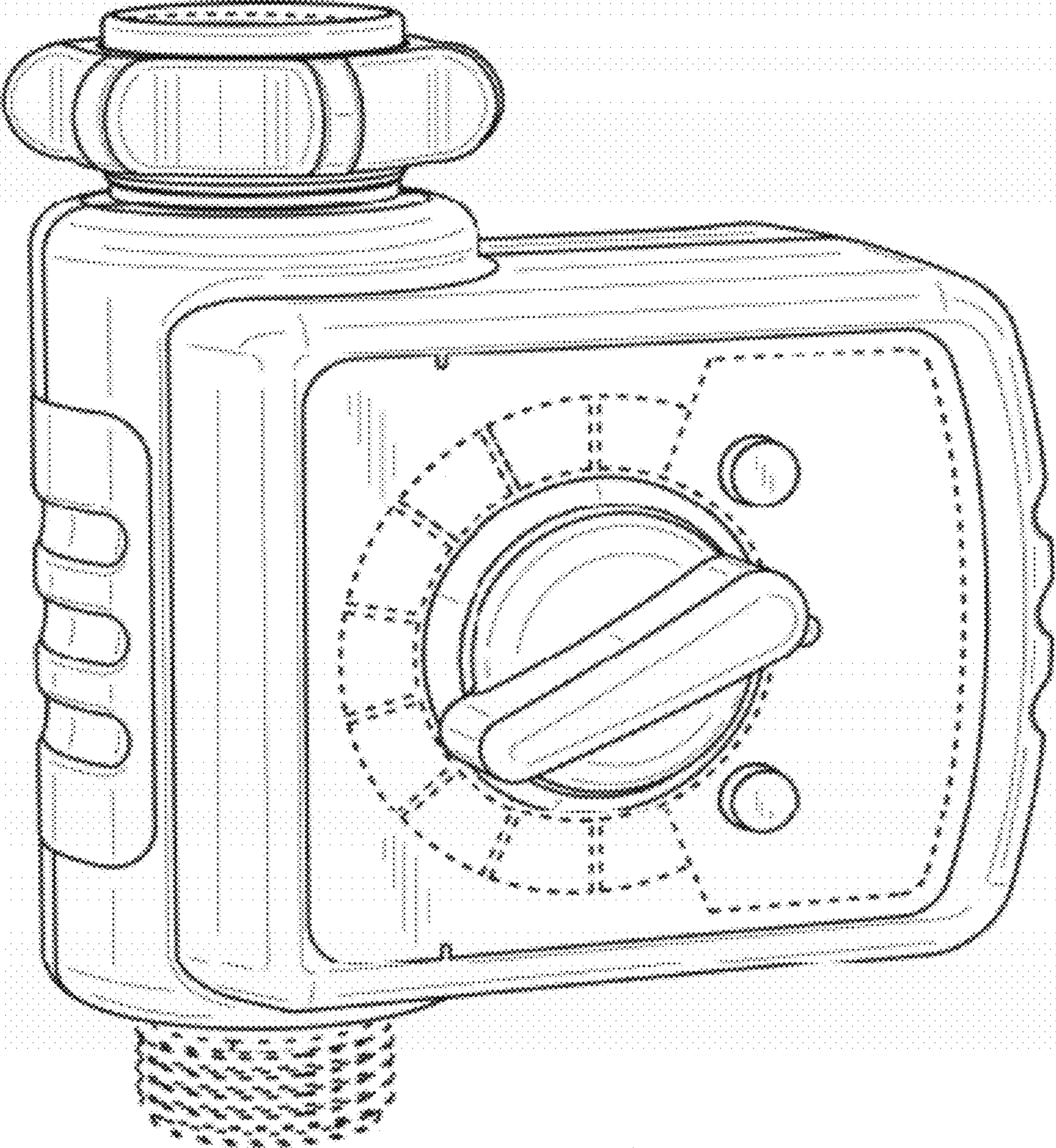


FIG. 1

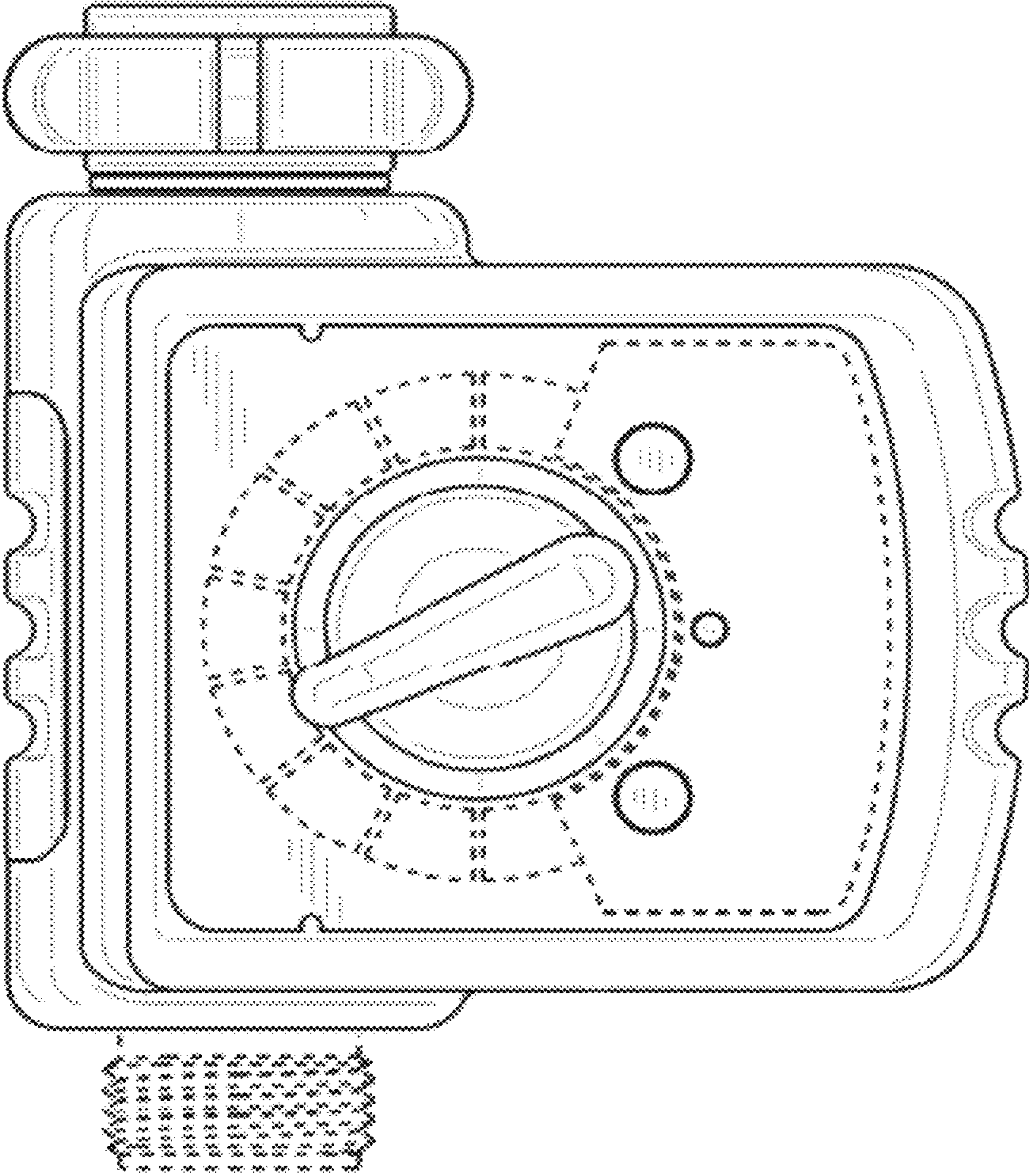


FIG.2

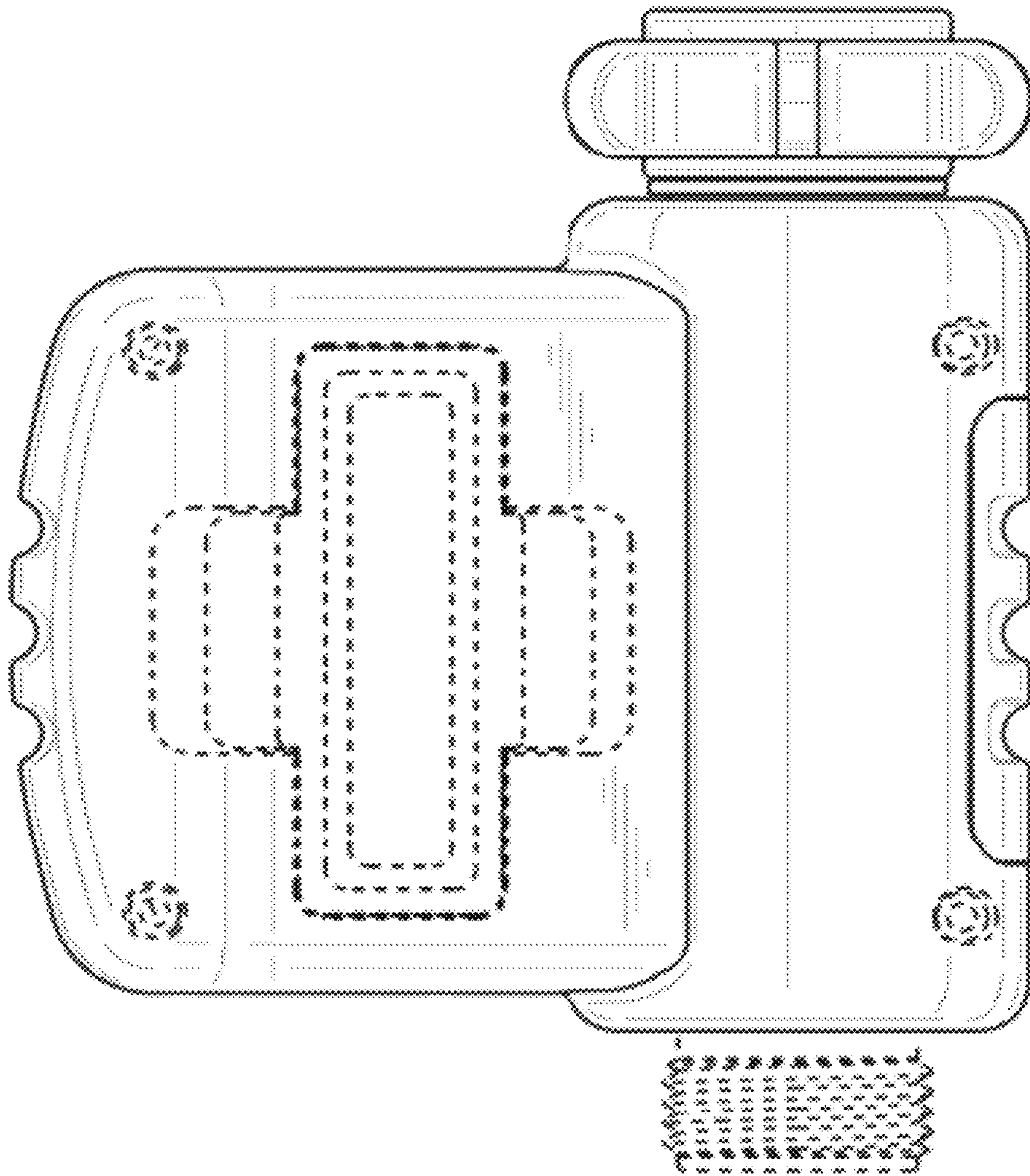


FIG. 3

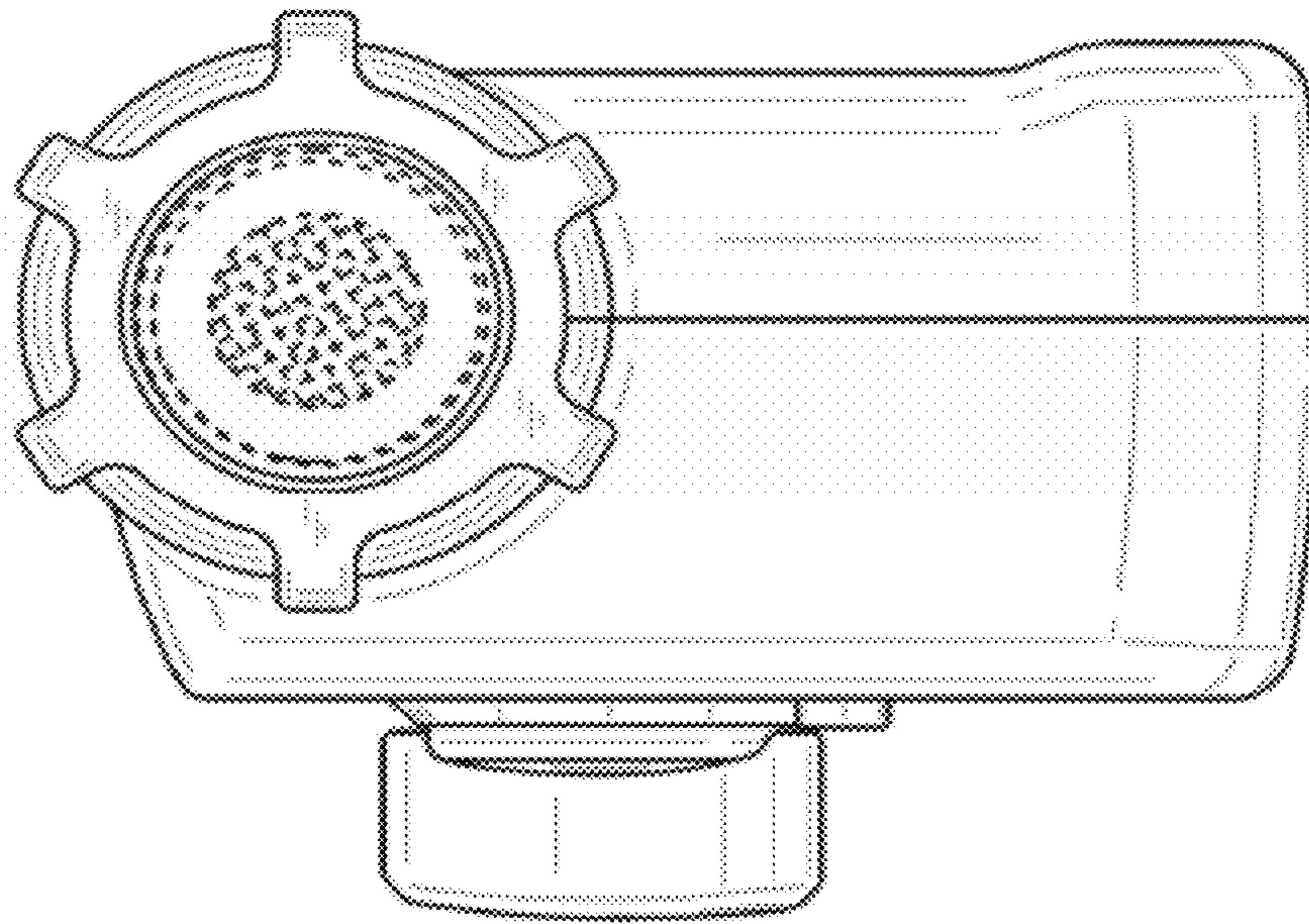


FIG. 4

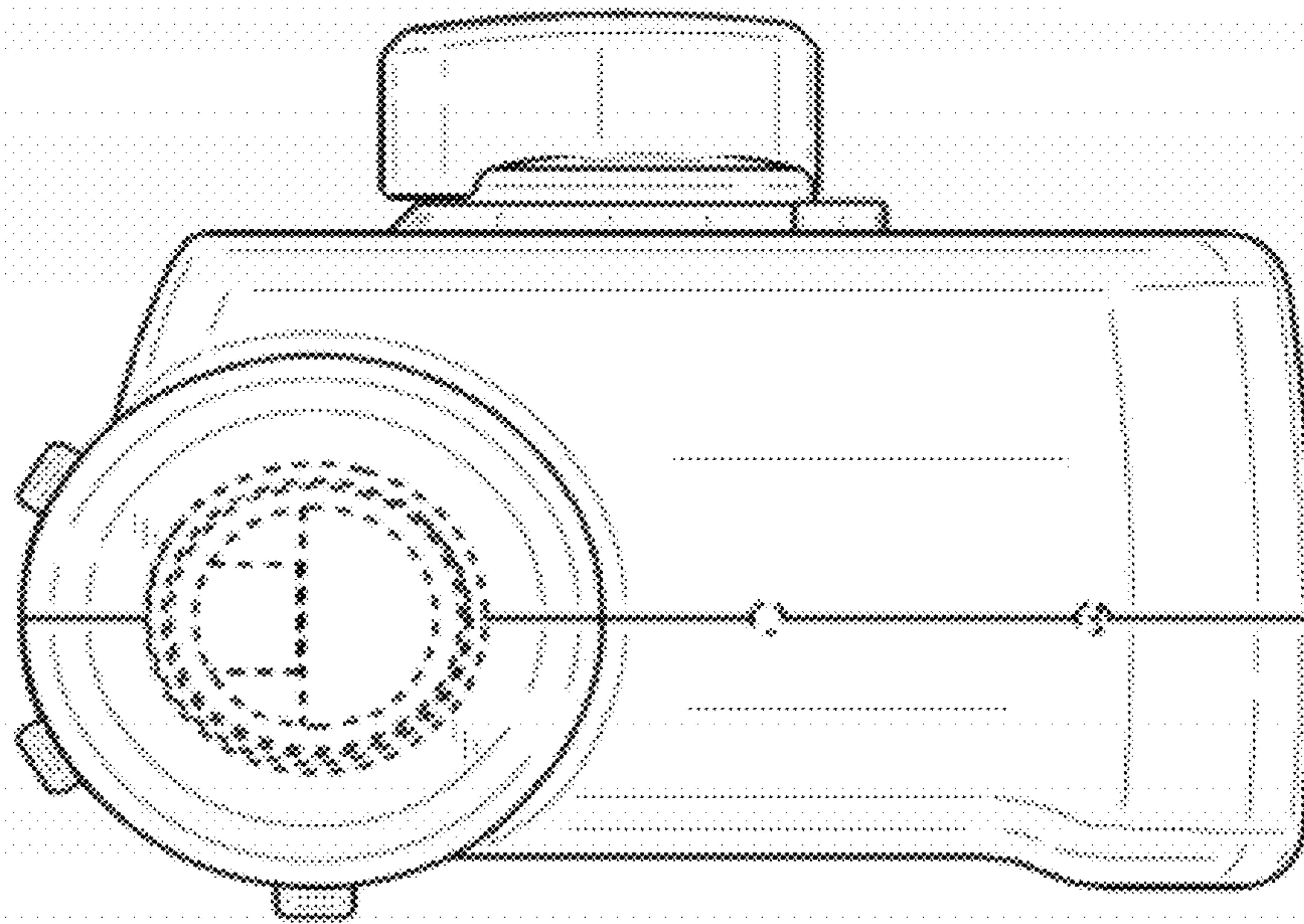


FIG. 5

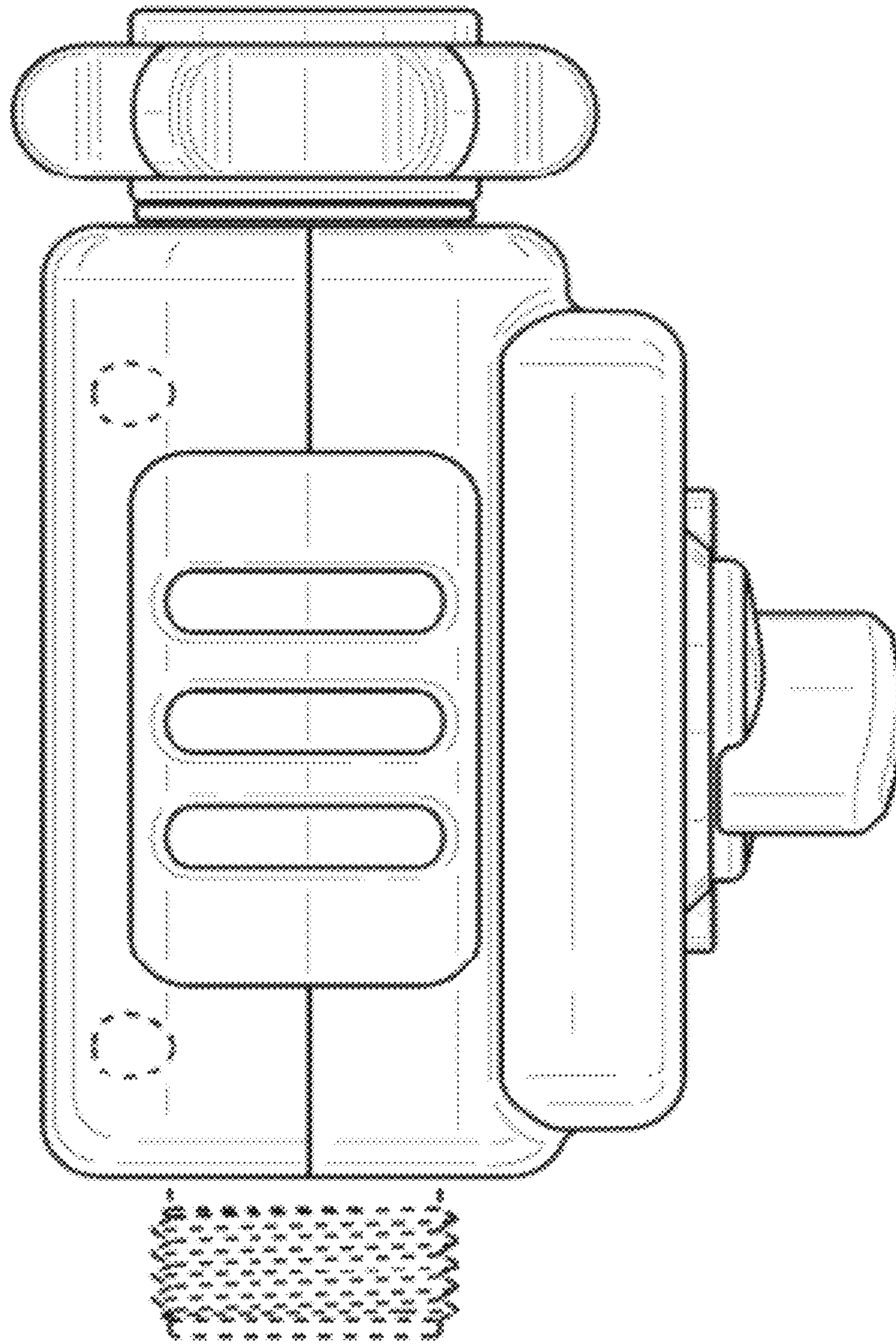


FIG. 6

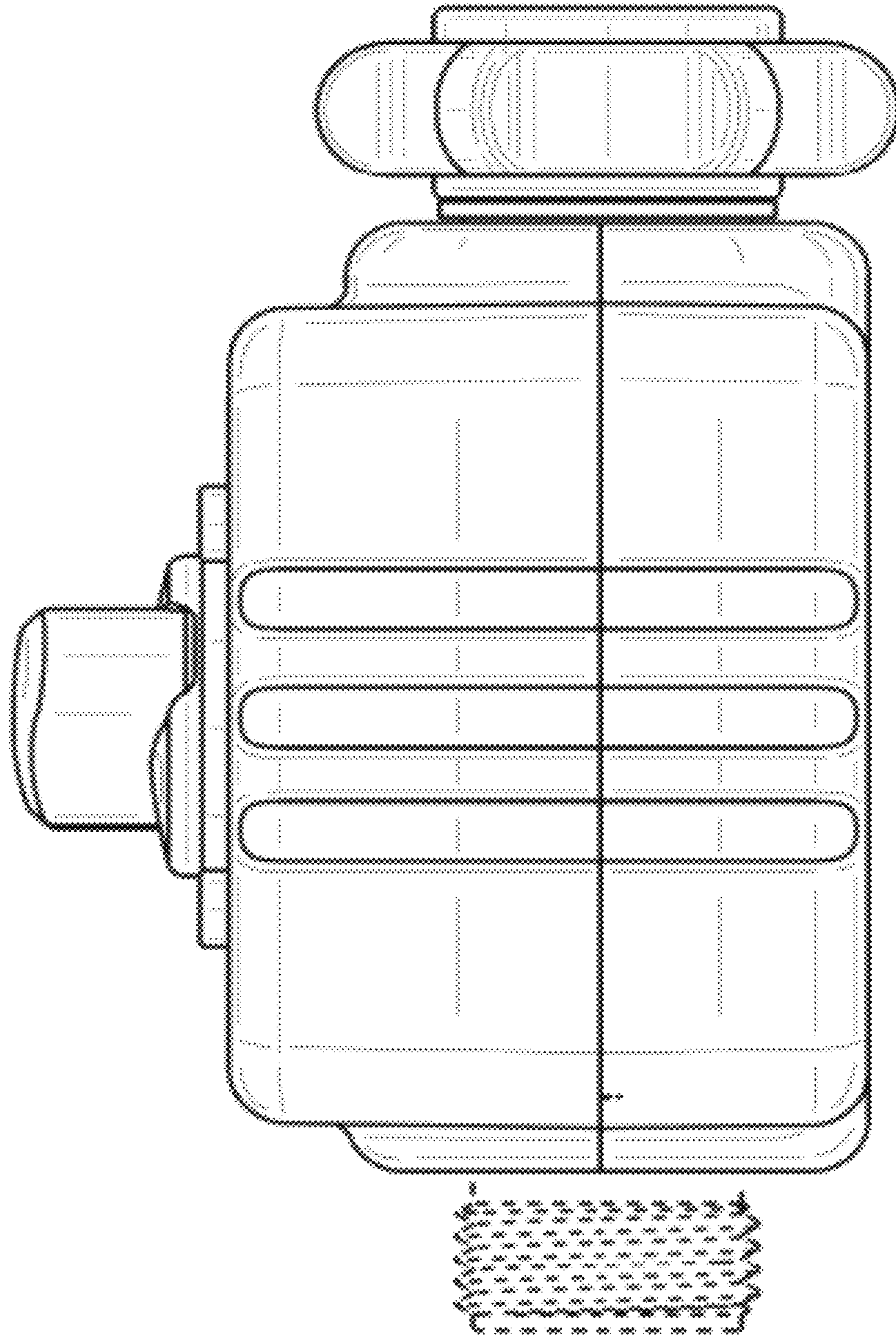


FIG. 7