



US00D657263S

(12) **United States Design Patent**  
**Nies et al.**

(10) **Patent No.:** **US D657,263 S**  
(45) **Date of Patent:** **\*\* Apr. 10, 2012**

(54) **VERSATILE WATER TIMER AND CONTROLLER**

(75) Inventors: **Juergen Nies**, Winchester, VA (US); **Ha Van Duong**, Winchester, VA (US); **Vicky Ann Michael**, Winchester, VA (US); **Richard King Boyle**, Winchester, VA (US); **James Daniel Carter**, Gerrards Town, WV (US); **Christopher R. Boggs**, Gahanna, OH (US); **Nathan Durlflinger**, Youngstown, OH (US); **Don Meves**, Columbus, OH (US); **Dana Koppes**, Worthington, OH (US); **Eric Fickas**, Powell, OH (US)

(73) Assignee: **Melnor, Inc.**, Winchester, VA (US)

(\*\*) Term: **14 Years**

(21) Appl. No.: **29/390,747**

(22) Filed: **Apr. 28, 2011**

(51) **LOC (9) Cl.** ..... **10-03**

(52) **U.S. Cl.** ..... **D10/40**

(58) **Field of Classification Search** ..... D10/40;  
239/68, 69, 70; 137/624.11, 624.12, 324.21,  
137/624.22, 624.18; D23/245

See application file for complete search history.

(56) **References Cited**

U.S. PATENT DOCUMENTS

3,097,762	A	7/1963	Charnota et al.	
4,592,505	A	6/1986	Bruninga et al.	
4,633,905	A *	1/1987	Wang	137/624.11
4,708,264	A	11/1987	Bruninga	
4,722,478	A *	2/1988	Fletcher et al.	239/69
D298,962	S	12/1988	Bruninga	
4,807,664	A *	2/1989	Wilson et al.	137/624.11
D304,224	S *	10/1989	Wilson et al.	D23/245
5,101,859	A	4/1992	Roman	
5,143,290	A	9/1992	Wang	
D365,771	S *	1/1996	Clivio	D10/96
D377,316	S *	1/1997	Roman et al.	D10/40

5,826,619	A *	10/1998	Roman	137/624.11
D430,044	S *	8/2000	Clivio	D10/40
D431,195	S *	9/2000	Clivio	D10/40
6,283,139	B1 *	9/2001	Symonds et al.	137/78.3
D451,037	S	11/2001	Jacobs et al.	
D451,411	S *	12/2001	Jacobs et al.	D10/40
D451,412	S *	12/2001	Jacobs et al.	D10/40
6,337,635	B1	1/2002	Ericksen et al.	
6,397,888	B1	6/2002	Wang	
D467,187	S *	12/2002	Clivio	D10/40
D477,287	S	7/2003	Roman	
D485,502	S *	1/2004	Clivio	D10/40
6,719,010	B1 *	4/2004	Yi-Chang	137/624.11
D511,979	S	11/2005	Echito et al.	

(Continued)

*Primary Examiner* — Lucy Lieberman

(74) *Attorney, Agent, or Firm* — Westerman, Hattori, Daniels & Adrian, LLP

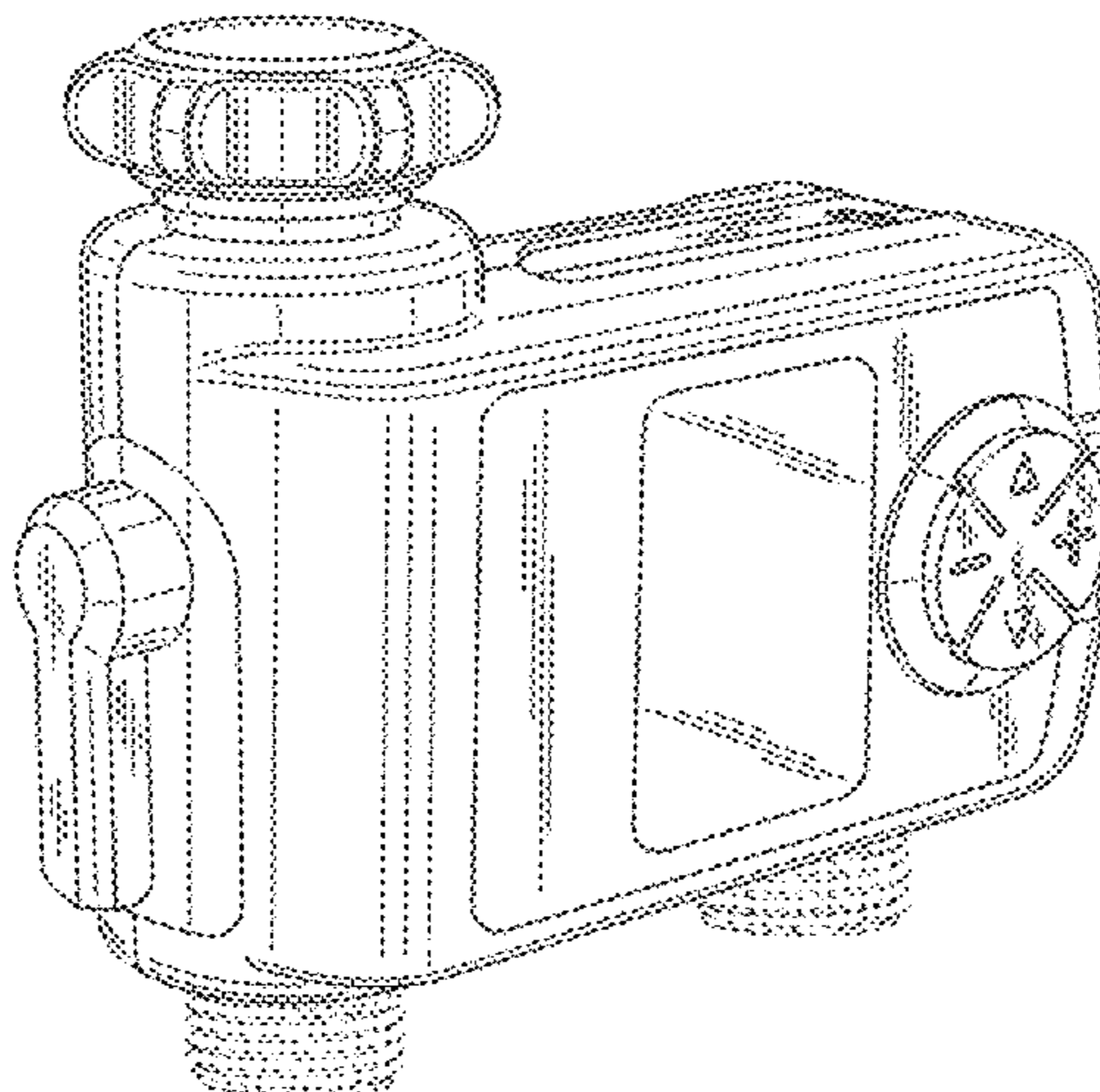
(57) **CLAIM**

The ornamental design for a versatile water timer and controller, as shown and described.

**DESCRIPTION**

FIG. 1 is a perspective view of a versatile water timer and controller;  
 FIG. 2 is a front elevation view of the versatile water timer and controller;  
 FIG. 3 is a rear elevation view of the versatile water timer and controller;  
 FIG. 4 is a top plan view of the versatile water timer and controller;  
 FIG. 5 is a bottom plan view of the versatile water timer and controller;  
 FIG. 6 is a left side elevation view of the versatile water timer and controller; and,  
 FIG. 7 is a right side elevation view of the versatile water timer and controller.  
 The elements in broken lines show environmental structure and form no part of the claimed design.

**1 Claim, 5 Drawing Sheets**



# US D657,263 S

Page 2

---

## U.S. PATENT DOCUMENTS

6,986,364	B1	1/2006	Wang		
7,252,113	B2	8/2007	Jacobs et al.		
D559,708	S *	1/2008	Michael et al.	.....	D10/40
D567,680	S *	4/2008	Michael et al.	.....	D10/40
D567,681	S *	4/2008	Michael et al.	.....	D10/40
D582,794	S	12/2008	Stekelenburg		
D605,962	S	12/2009	Tsou et al.		
7,810,515	B2 *	10/2010	Nies et al.	.....	137/78.3
D642,077	S *	7/2011	Nies et al.	.....	D10/40
D643,755	S *	8/2011	Nies et al.	.....	D10/40
D647,411	S *	10/2011	Barton et al.	.....	D10/40

\* cited by examiner

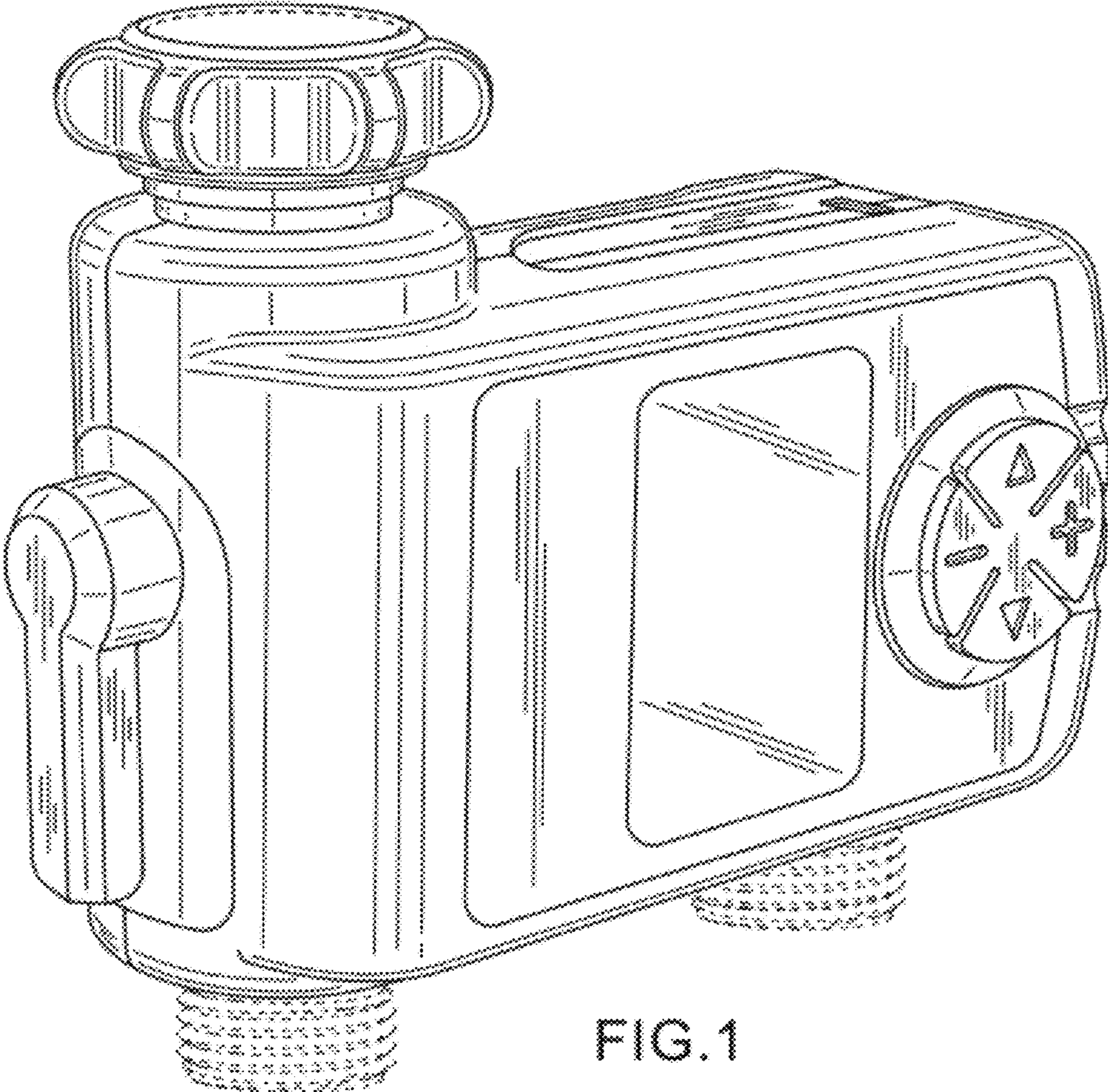


FIG.1

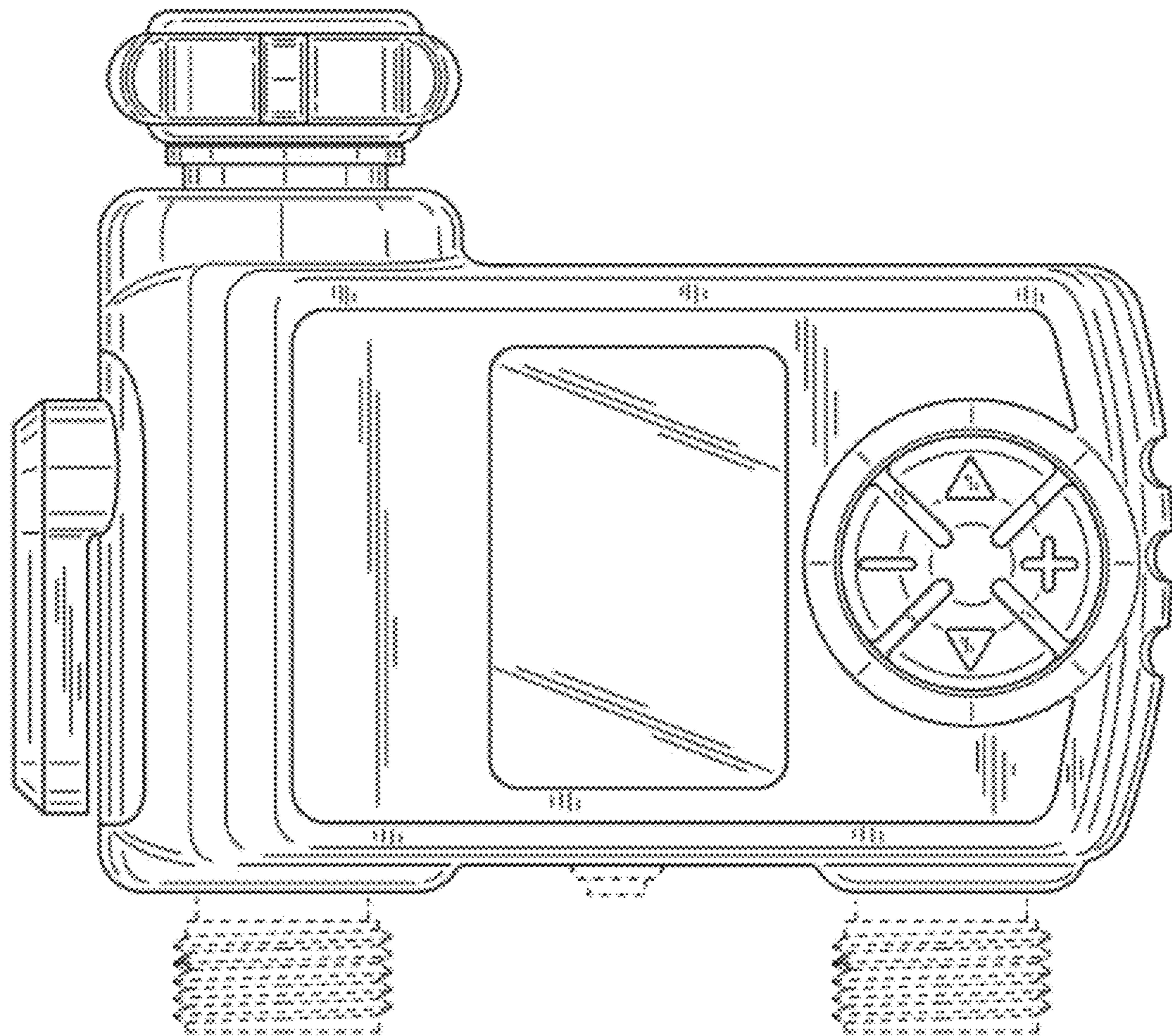


FIG.2

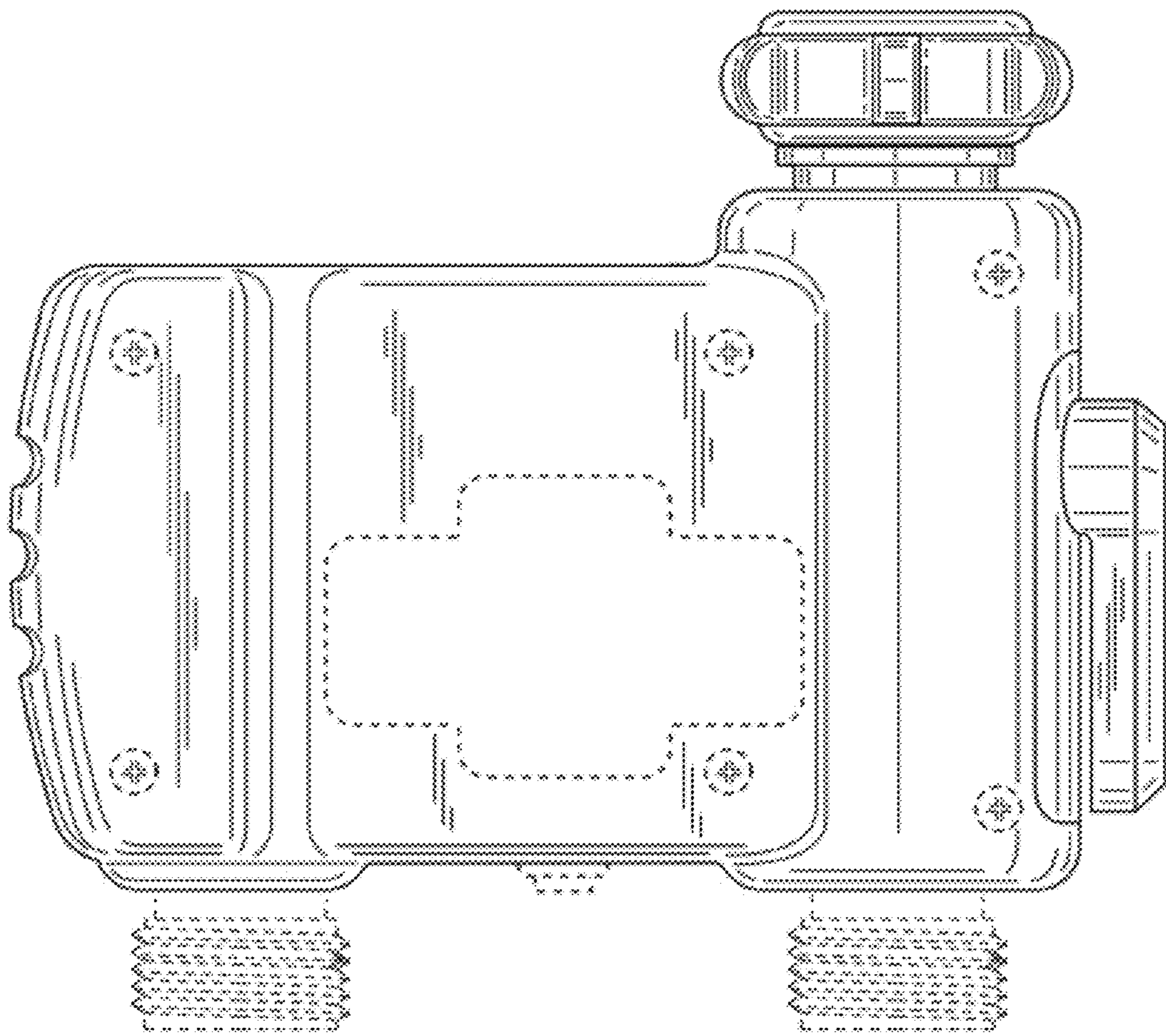


FIG.3

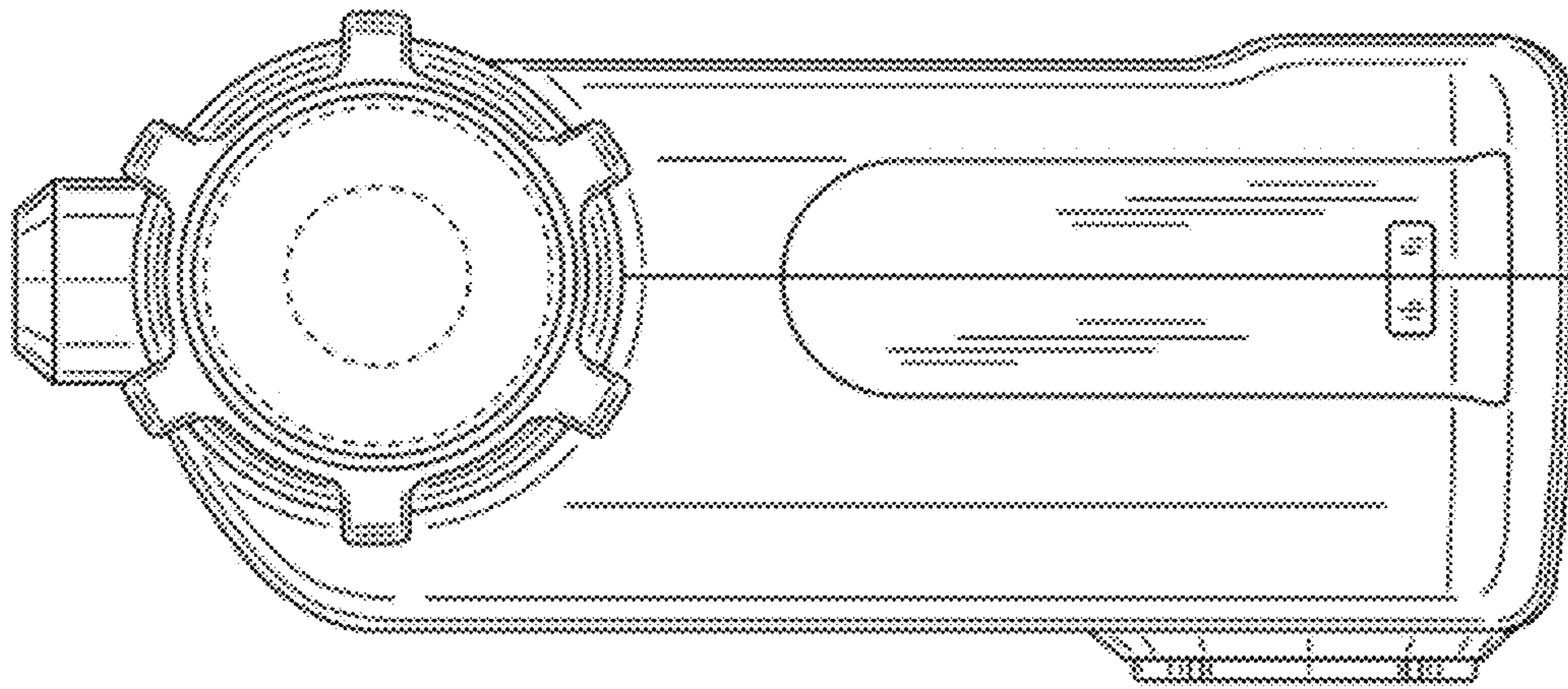


FIG. 4

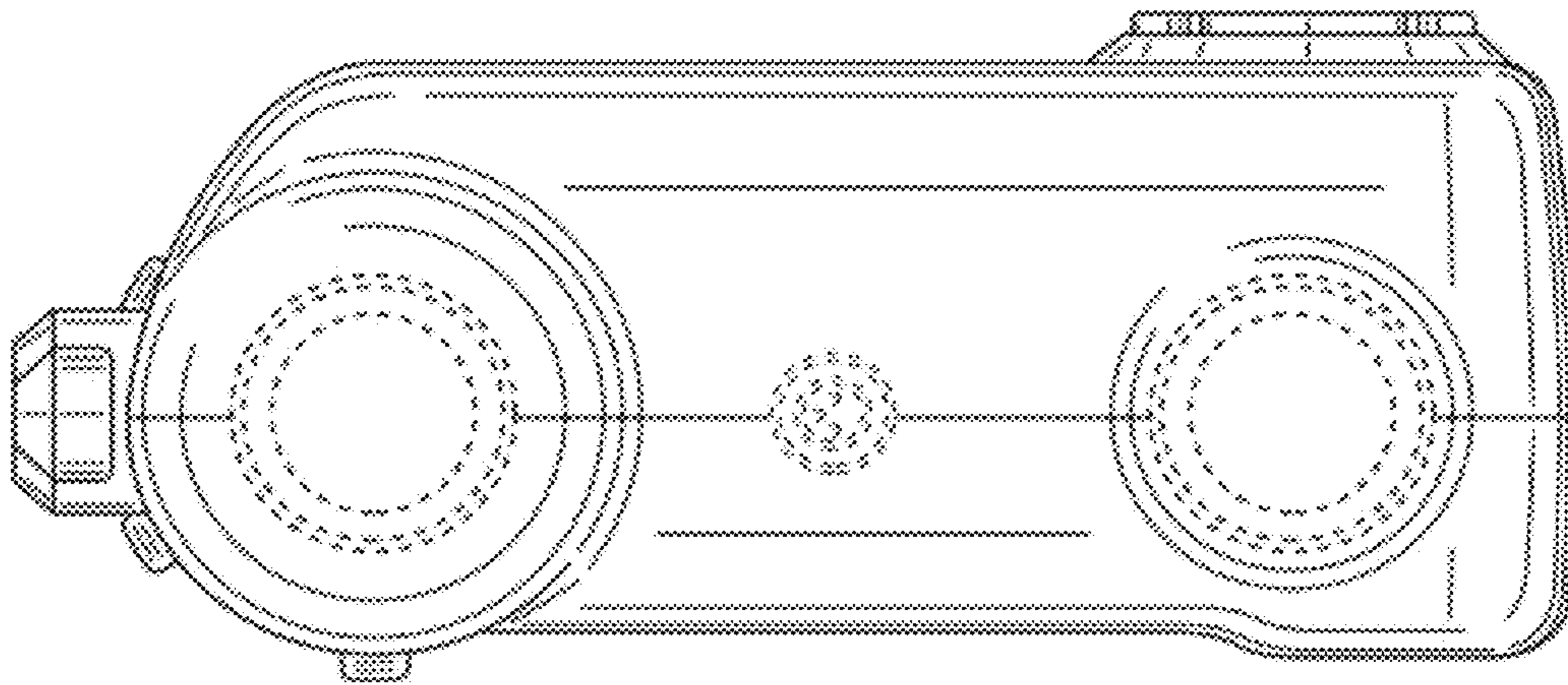


FIG. 5

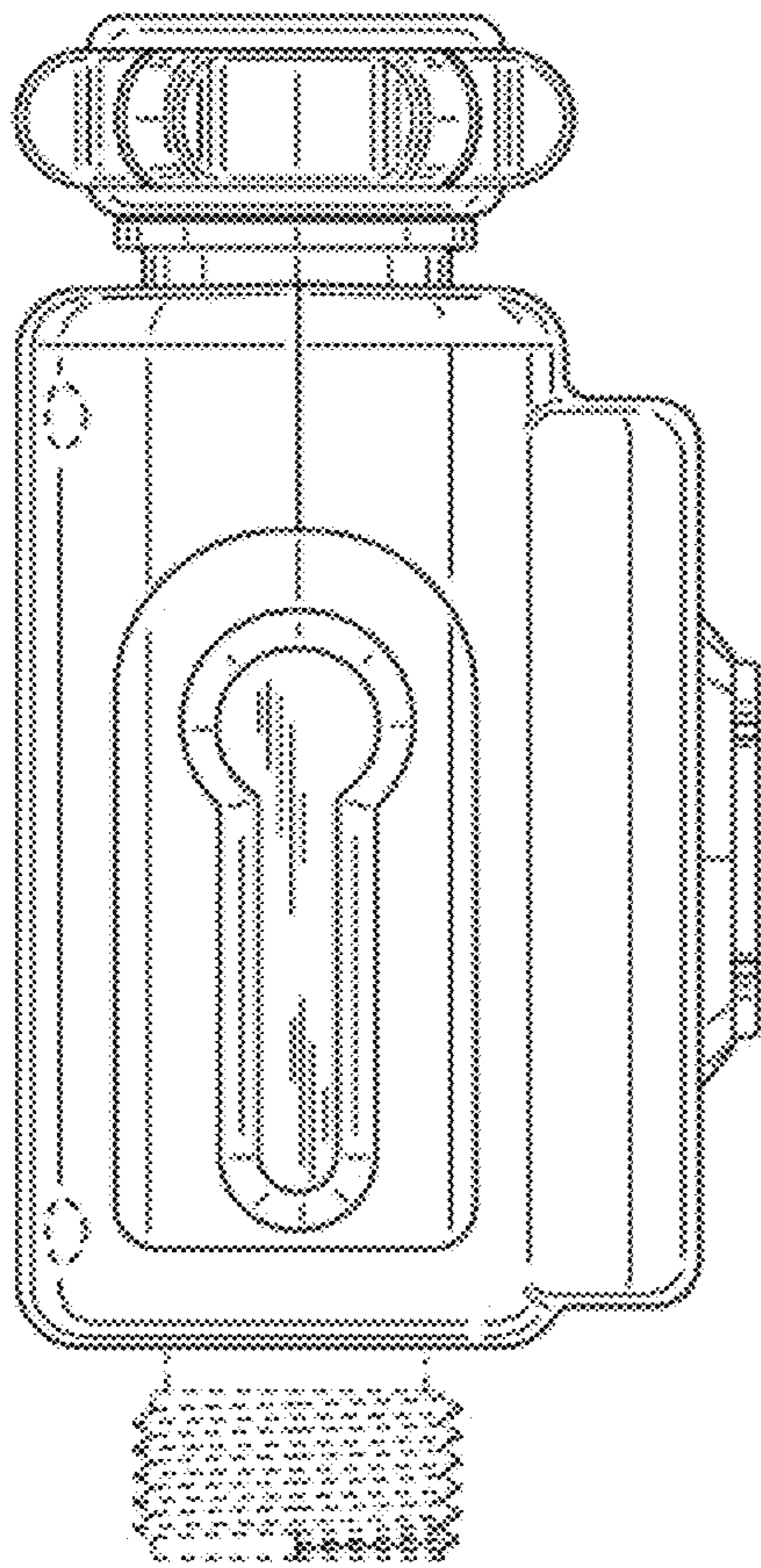


FIG. 6

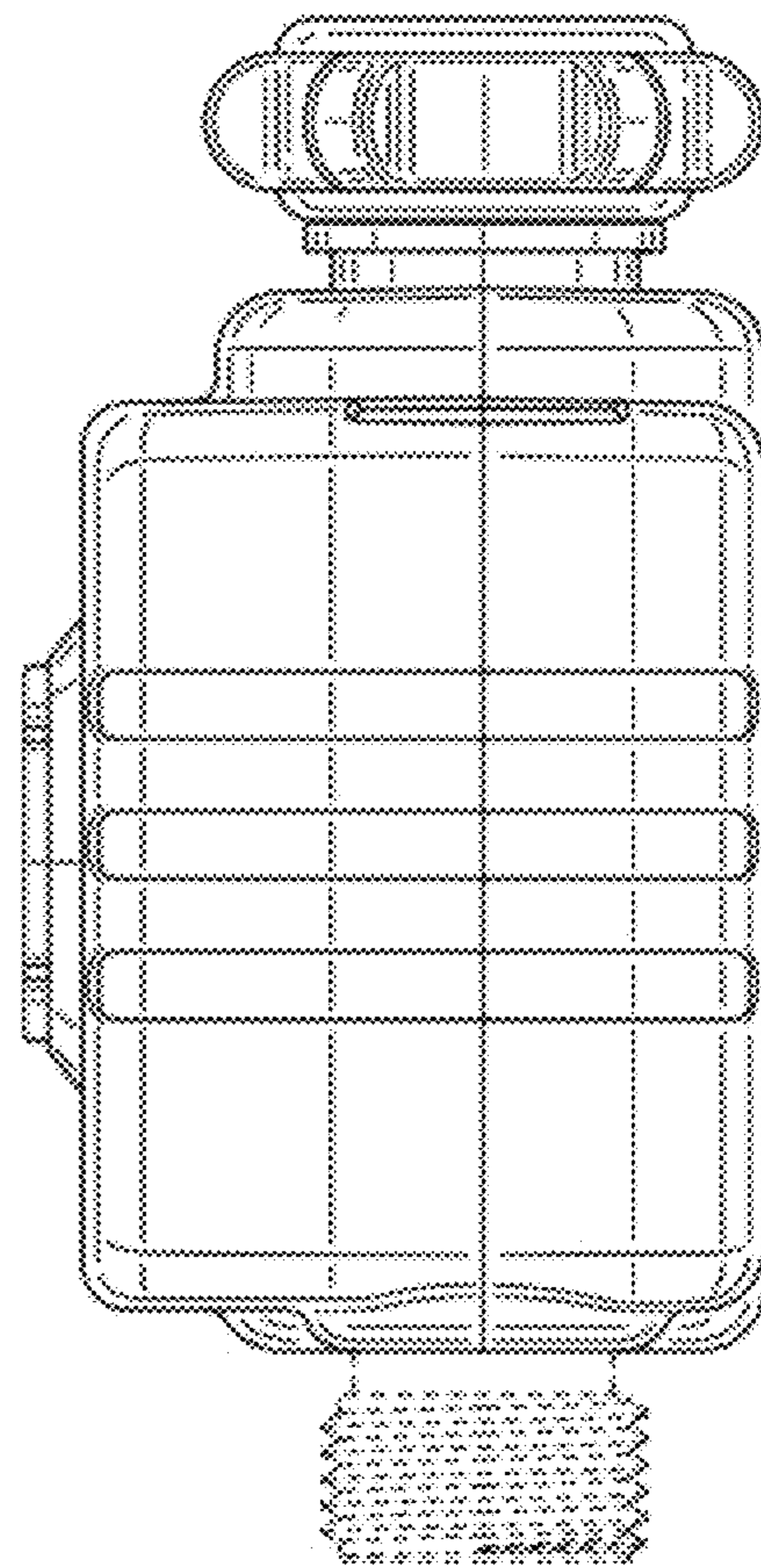


FIG. 7