



US00D657262S

(12) **United States Design Patent**
Pulli

(10) **Patent No.:** **US D657,262 S**

(45) **Date of Patent:** **** Apr. 10, 2012**

(54) **ADAPTOR FOR RECEIVING THE HEAD OF A WATCH**

(76) Inventor: **Brett Pulli**, Ambler, PA (US)

(**) Term: **14 Years**

(21) Appl. No.: **29/399,702**

(22) Filed: **Aug. 17, 2011**

(51) **LOC (9) Cl.** **10-02**

(52) **U.S. Cl.** **D10/38**

(58) **Field of Classification Search** D10/30-39;
368/276, 281, 282, 283, 285, 277, 278, 286,
368/287

See application file for complete search history.

(56) **References Cited**

U.S. PATENT DOCUMENTS

D312,793 S *	12/1990	Fujiwara	D10/39
D348,010 S *	6/1994	Riley	D10/30
D378,666 S *	4/1997	Kojima	D10/38
D387,679 S *	12/1997	Hanagata	D10/31
D389,070 S *	1/1998	Galli	D10/30
D401,162 S *	11/1998	Ishizaka et al.	D10/31
D402,565 S *	12/1998	Sato et al.	D10/32
D411,956 S *	7/1999	Sugita et al.	D10/30
D413,527 S *	9/1999	Hanagata	D10/30
D418,761 S *	1/2000	Iwamoto	D10/30
D426,777 S *	6/2000	Tomimatsu	D10/30

D430,808 S *	9/2000	Hanagata	D10/30
D441,302 S *	5/2001	Tomimatsu	D10/30
D454,078 S *	3/2002	Koo	D10/32
D504,830 S *	5/2005	Sugisawa	D10/39
D509,216 S *	9/2005	Yamamoto et al.	D14/344
D549,597 S *	8/2007	Kraus et al.	D10/31
D602,386 S *	10/2009	Ueda et al.	D10/98

* cited by examiner

Primary Examiner — Lucy Lieberman

(74) *Attorney, Agent, or Firm* — Paul Diamond, Esq;
Diamond Law Office, LLC

(57) **CLAIM**

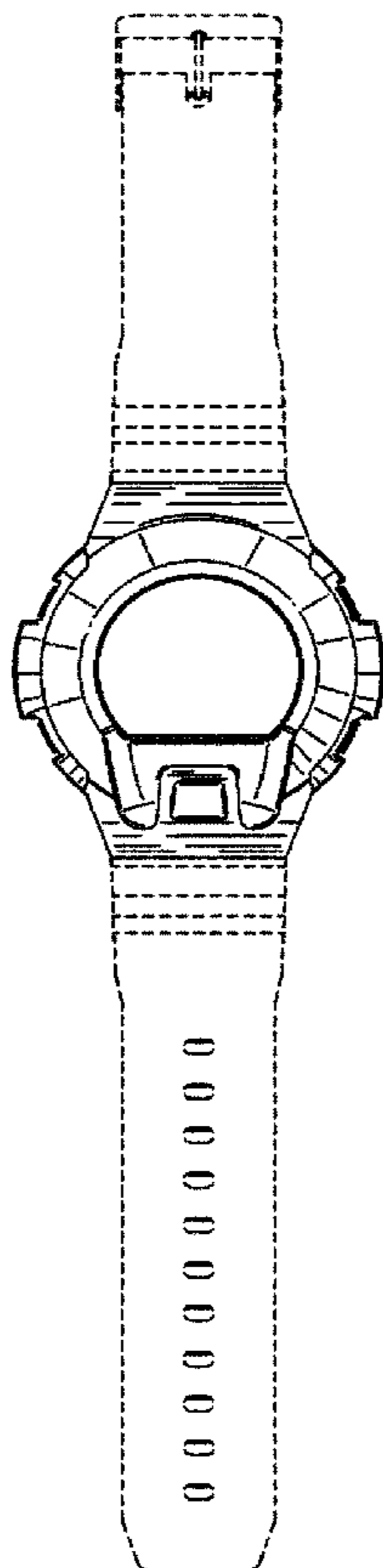
The ornamental design for an adaptor for receiving the head of a watch, as shown and described.

DESCRIPTION

FIG. 1 is a perspective view of my new design for an adaptor for receiving the head of a watch;
FIG. 2 is a front view thereof;
FIG. 3 is a rear view thereof;
FIG. 4 is a left side elevational view thereof, the right side elevational view being a mirror image;
FIG. 5 is a bottom view thereof; and,
FIG. 6 is a top view thereof.

The portions of the article encompassed by broken lines in the accompanying figures form no part of the claimed design.

1 Claim, 4 Drawing Sheets



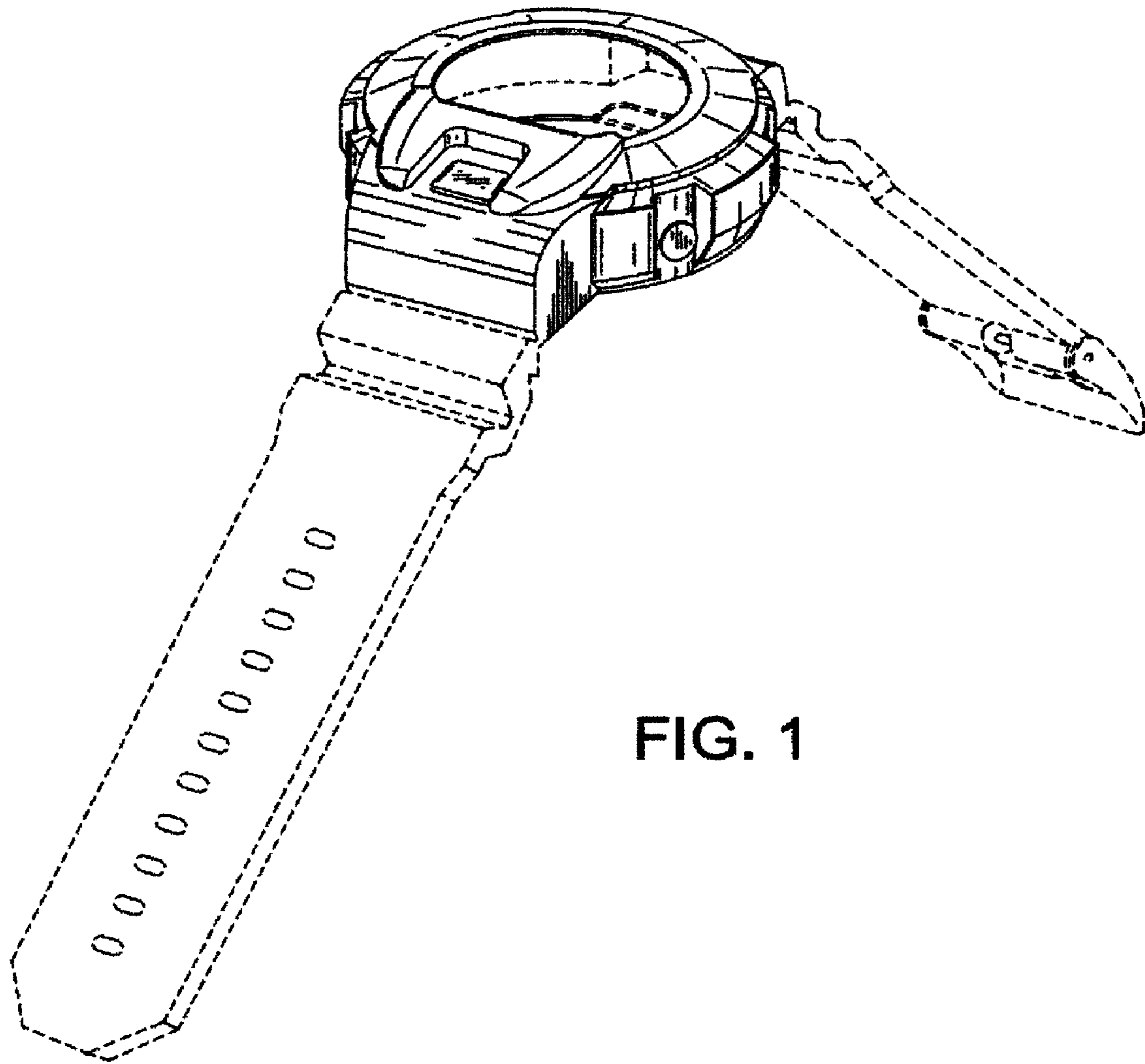


FIG. 1

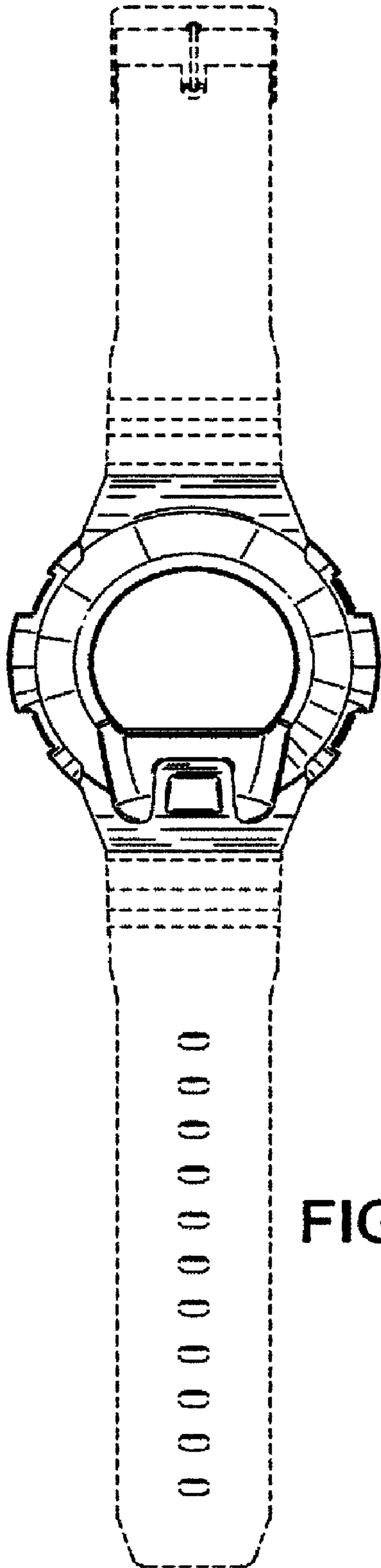


FIG. 2

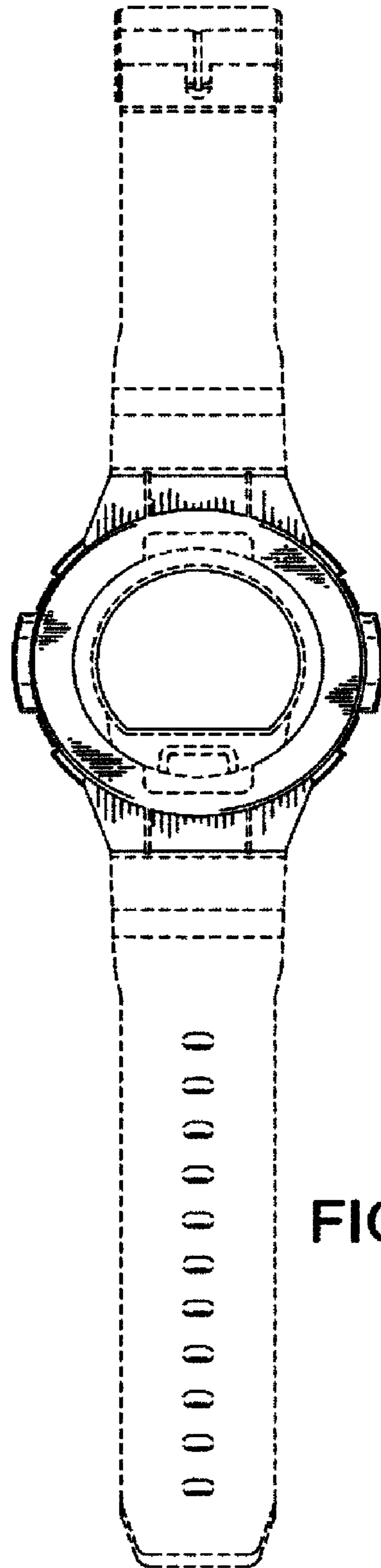


FIG. 3

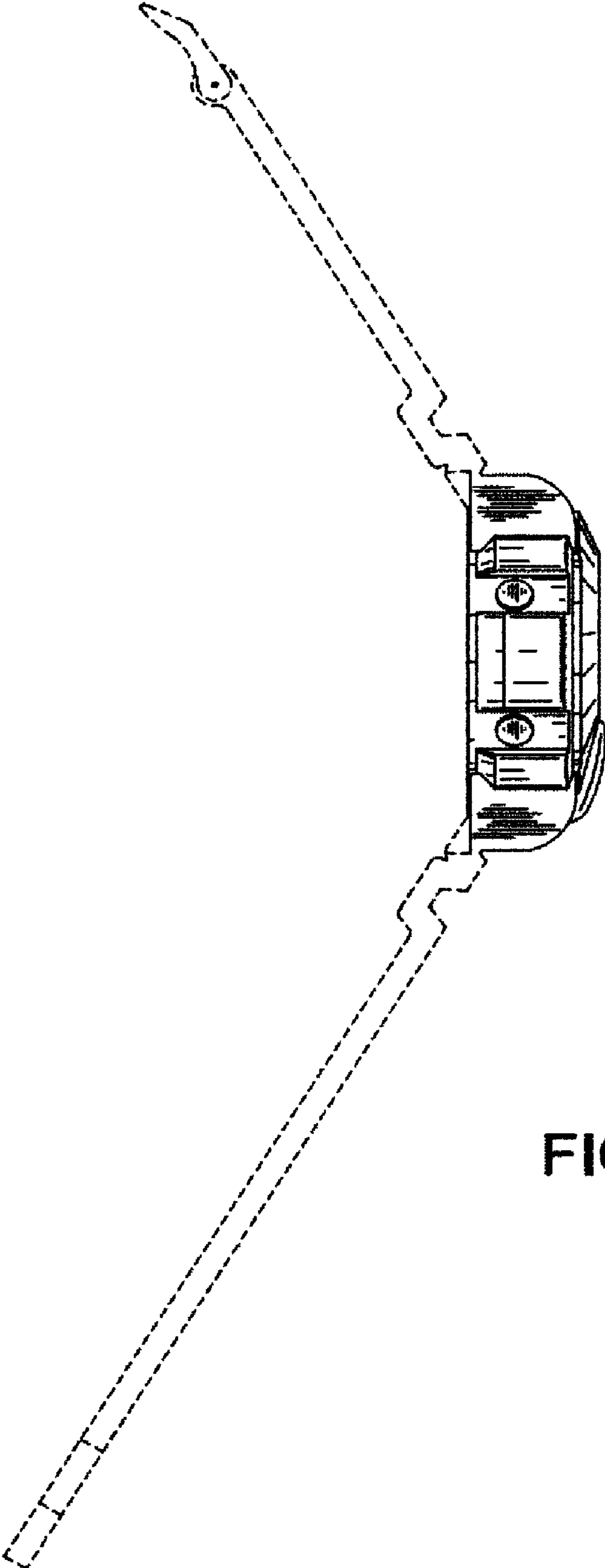


FIG. 4

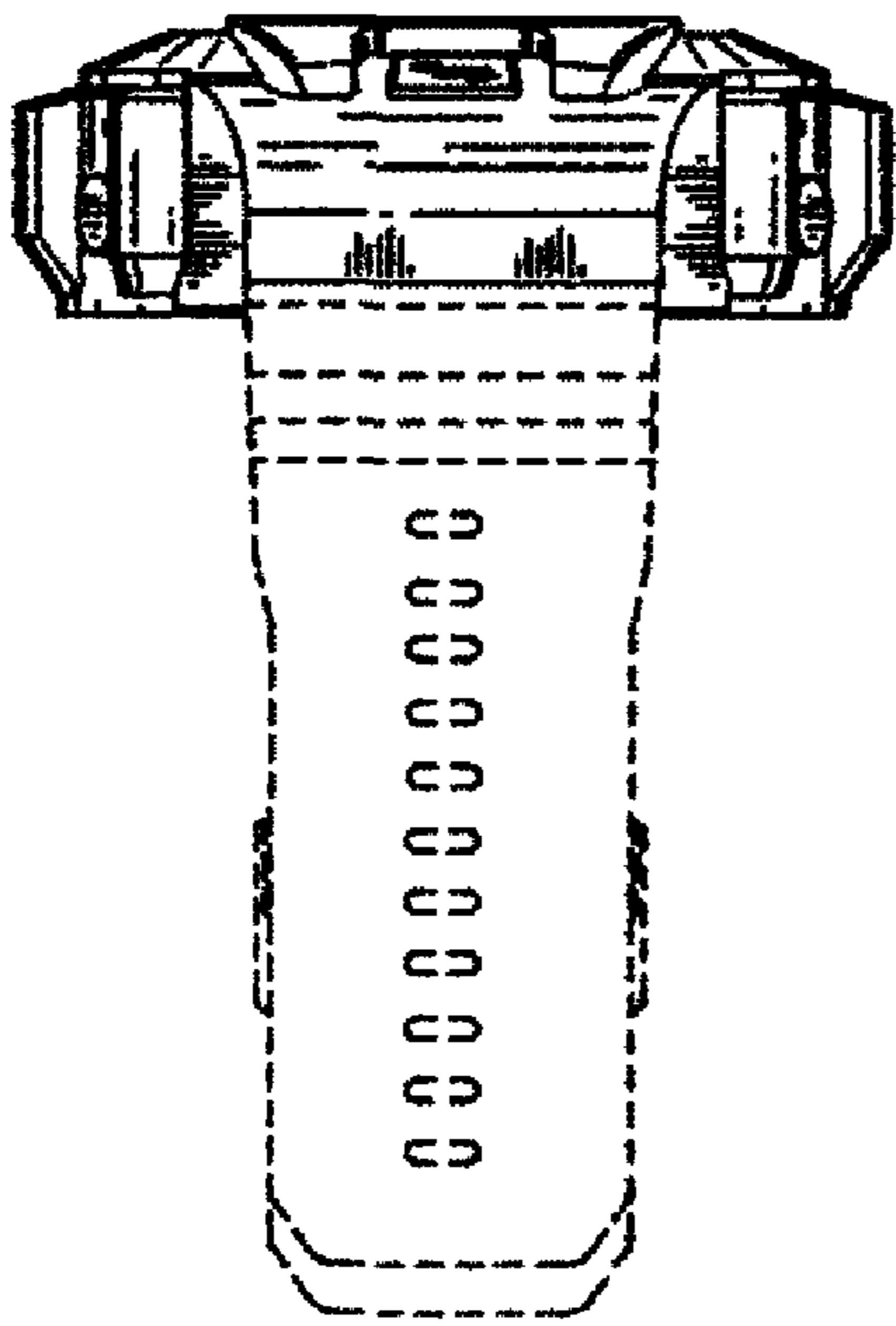


FIG. 5

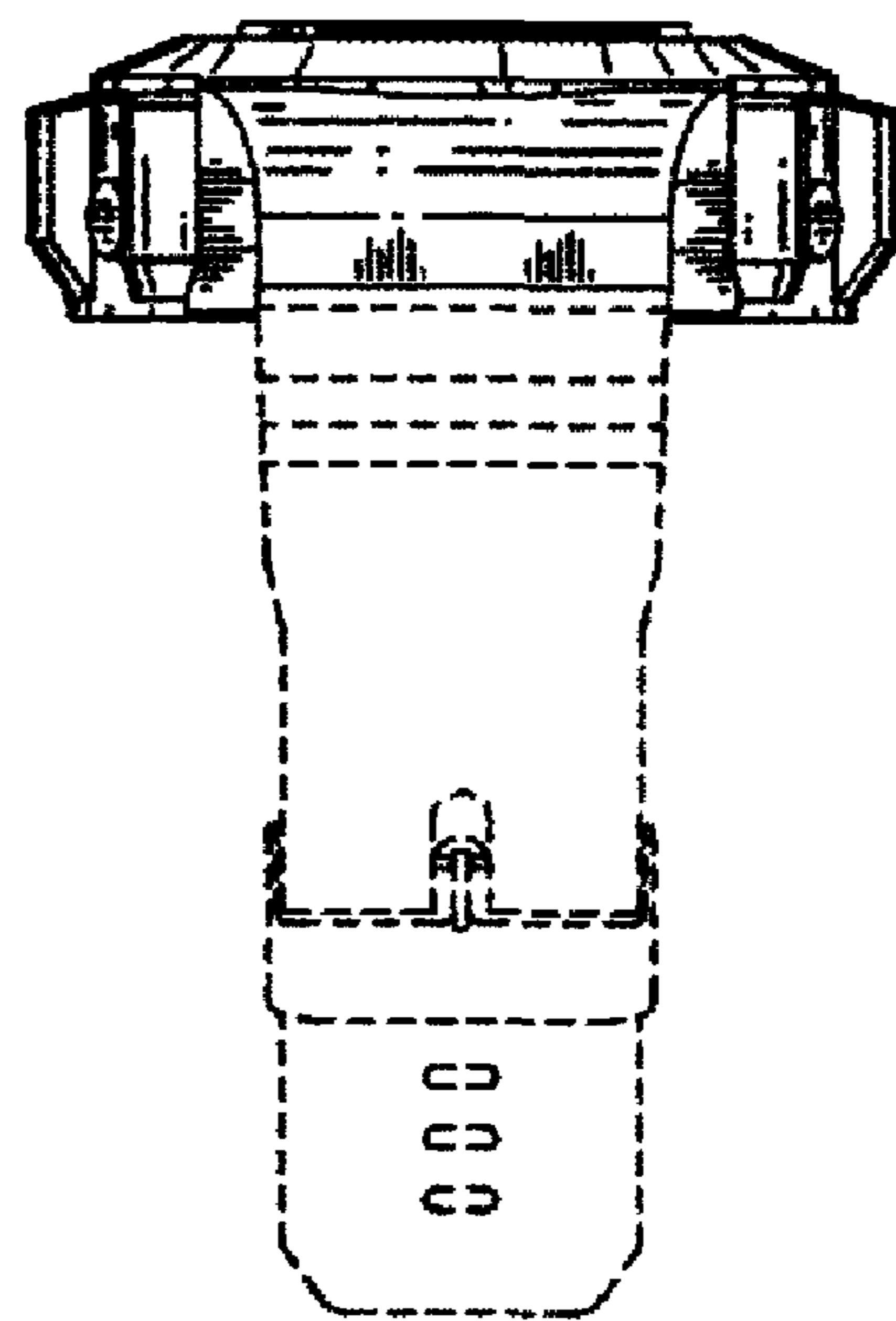


FIG. 6