



US00D657261S

(12) **United States Design Patent**  
**de Gast**

(10) **Patent No.:** **US D657,261 S**

(45) **Date of Patent:** **\*\* Apr. 10, 2012**

(54) **CONTAINER WITH COVER**

(75) Inventor: **Barro de Gast**, Milan (IT)

(73) Assignee: **Mandarin Associates Ltd.**, Kowloon (HK)

(\*\*) Term: **14 Years**

(21) Appl. No.: **29/398,534**

(22) Filed: **Aug. 1, 2011**

(51) **LOC (9) Cl.** ..... **09-05**

(52) **U.S. Cl.** ..... **D9/711**

(58) **Field of Classification Search** ..... D9/702-714,  
D9/720, 414, 416, 418, 424-426, 430, 432;  
206/457, 822; 220/890; 229/116.1, 87.05,  
229/87.01, 87.19, 87.15, 92, 92.1, 92.7; 215/400;  
383/109

See application file for complete search history.

(56) **References Cited**

**U.S. PATENT DOCUMENTS**

D553,493 S *	10/2007	Kracke	.....	D9/711
D573,458 S *	7/2008	Anderson et al.	.....	D9/418
D582,791 S *	12/2008	Elmerhaus	.....	D9/721
D592,075 S *	5/2009	Holcomb	.....	D9/721
D592,526 S *	5/2009	Maude et al.	.....	D9/713
D601,418 S *	10/2009	Bone et al.	.....	D9/431
D608,635 S *	1/2010	Blick	.....	D9/711
D621,282 S *	8/2010	Yagi	.....	D9/711

D625,177 S *	10/2010	Seum et al.	.....	D9/418
D626,010 S *	10/2010	Criss et al.	.....	D9/711
D635,469 S *	4/2011	Buitrago	.....	D9/711

\* cited by examiner

*Primary Examiner* — Caron D Veynar

*Assistant Examiner* — Abraham Bahta

(74) *Attorney, Agent, or Firm* — Lowe Graham Jones PLLC

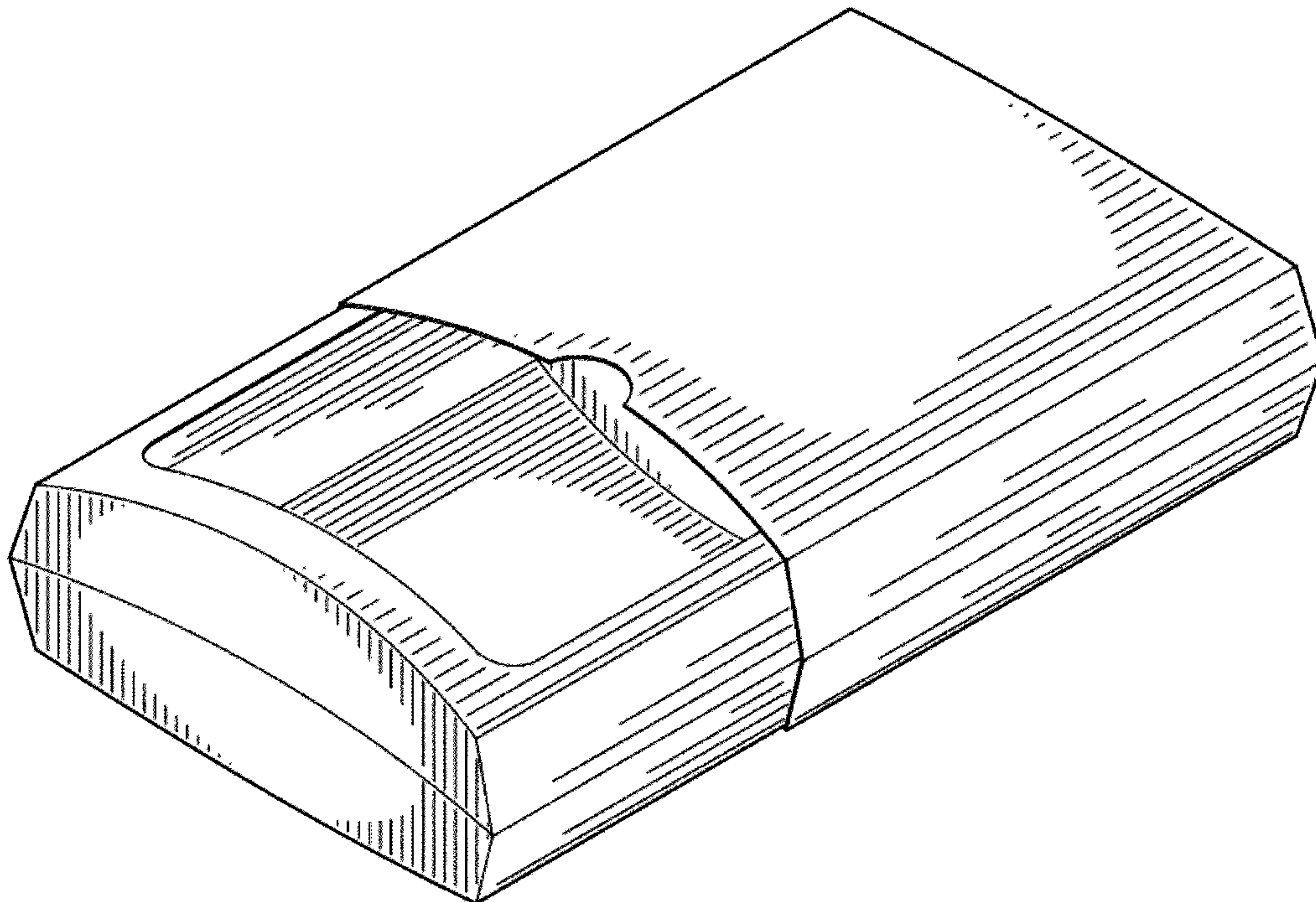
(57) **CLAIM**

The ornamental design for a container with cover, as shown and described.

**DESCRIPTION**

FIG. 1 is a perspective view of a cover for a container, the cover shown separately for clarity of disclosure;  
 FIG. 2 is a front view thereof;  
 FIG. 3 is a top view thereof;  
 FIG. 4 is right side view, the left side view being a mirror image thereof;  
 FIG. 5 is a back view thereof;  
 FIG. 6 is a bottom view thereof;  
 FIG. 7 is a perspective view of the container shown separately for clarity of disclosure;  
 FIG. 8 is a front view, the back view being identical;  
 FIG. 9 is a top thereof;  
 FIG. 10 is a right side view, the left side view being identical;  
 FIG. 11 is a bottom view thereof; and,  
 FIG. 12 is a perspective view of the container with cover shown with the container extending partially into the cover.

**1 Claim, 7 Drawing Sheets**



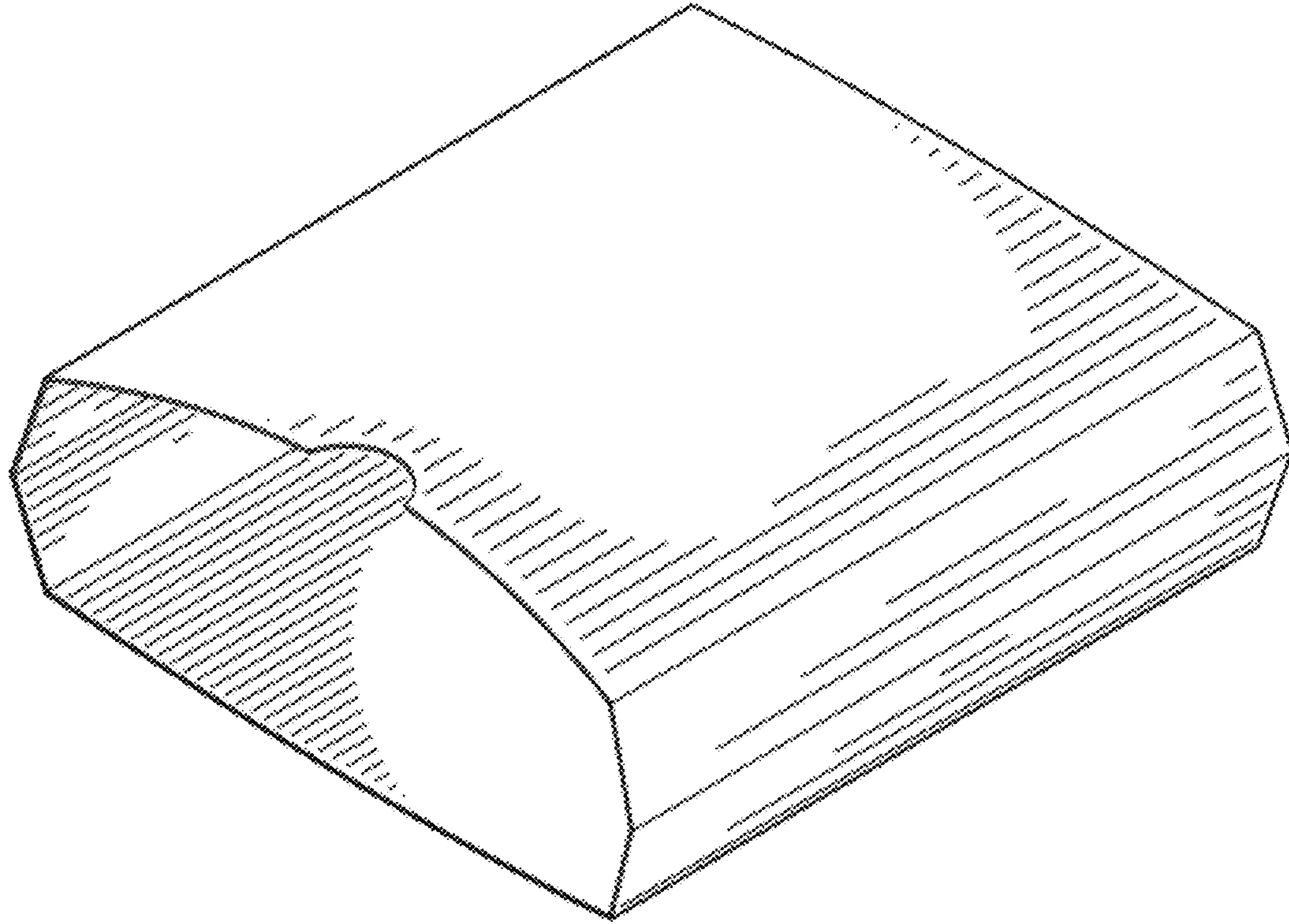


FIG. 1

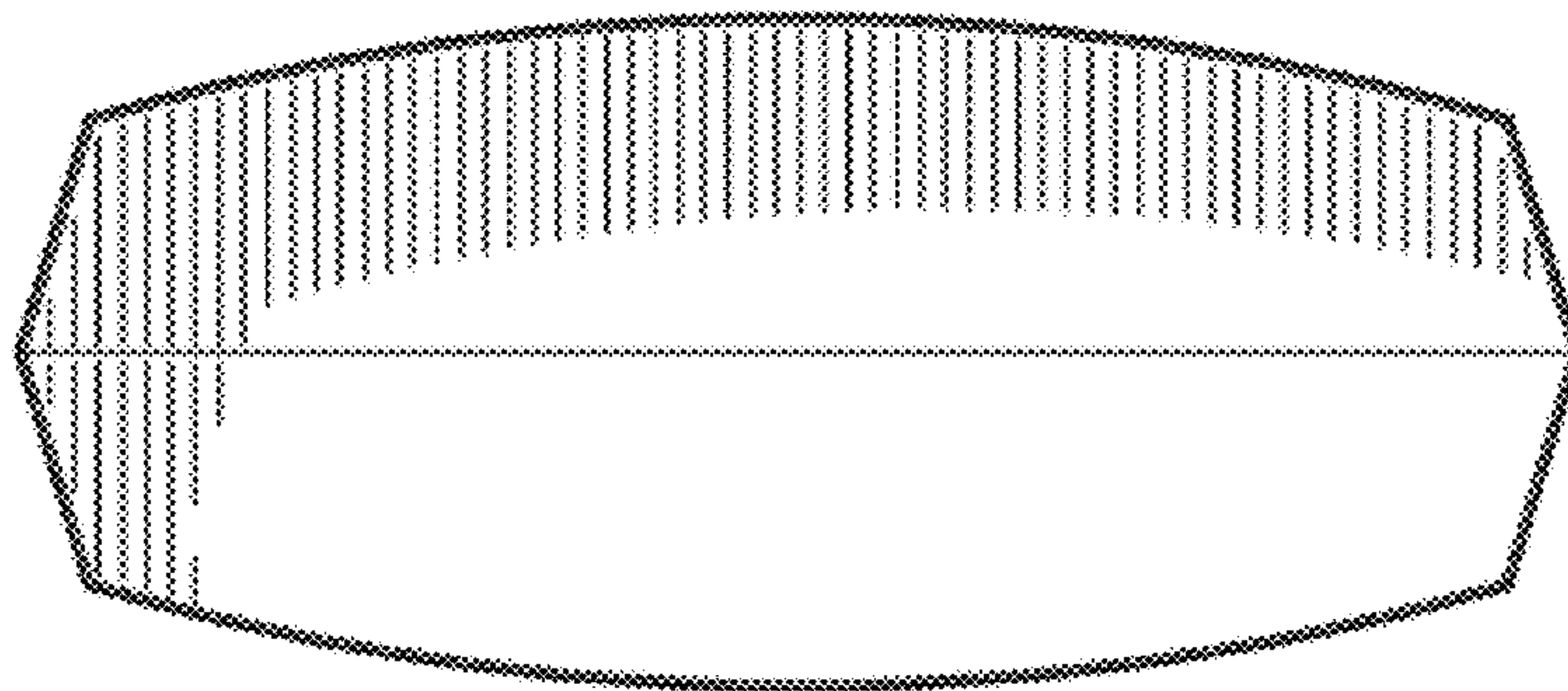


FIG. 2



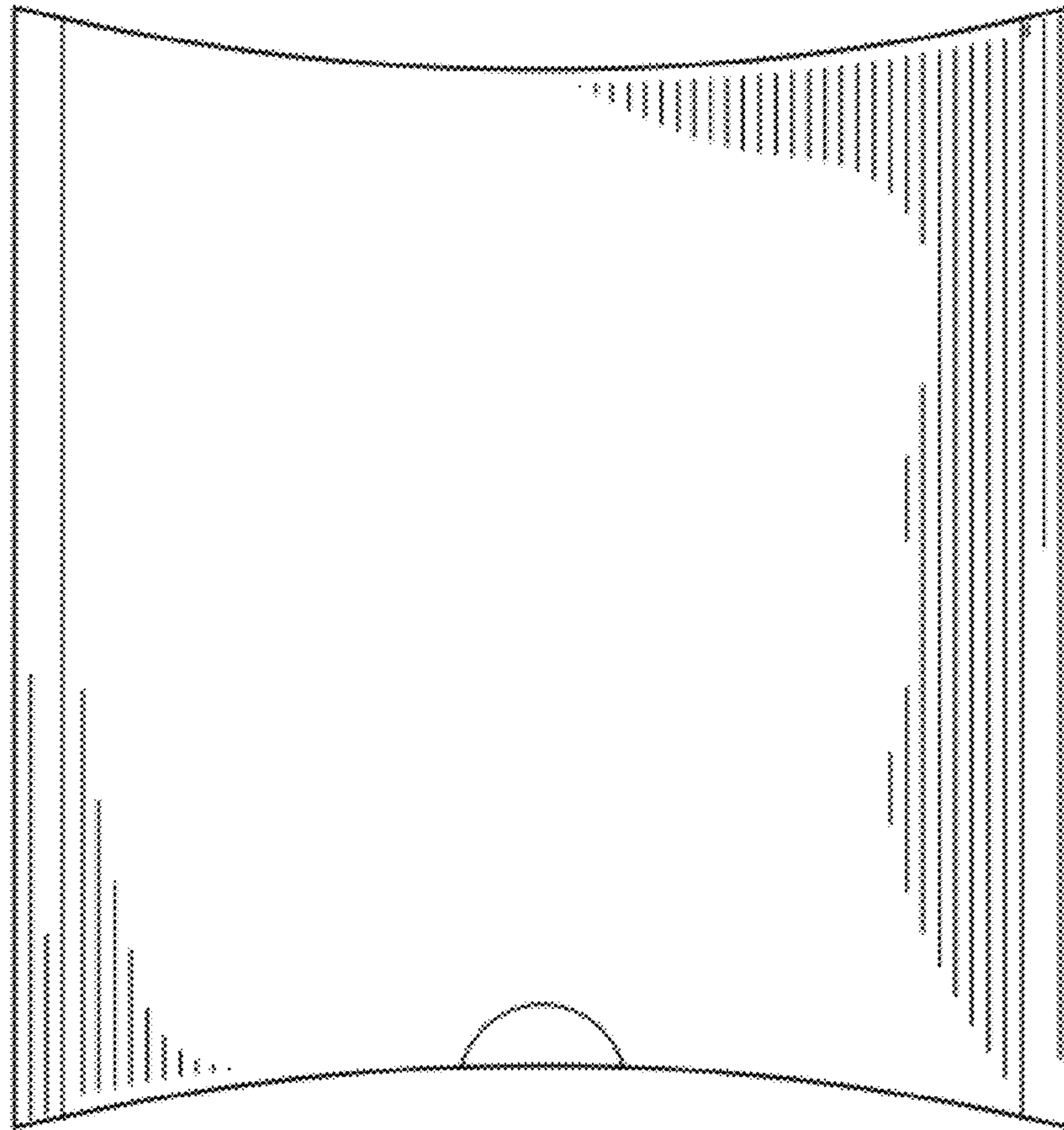


FIG. 3



FIG. 4

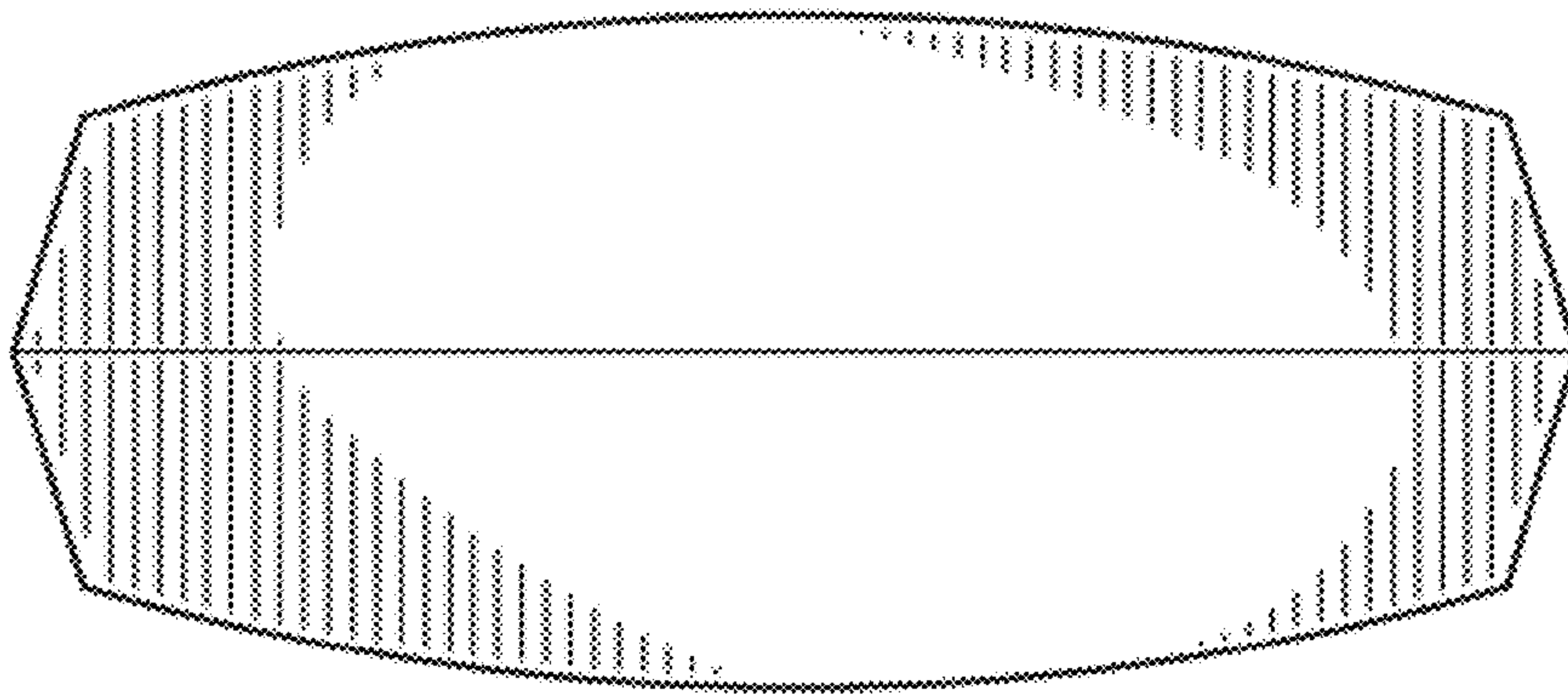


FIG. 5

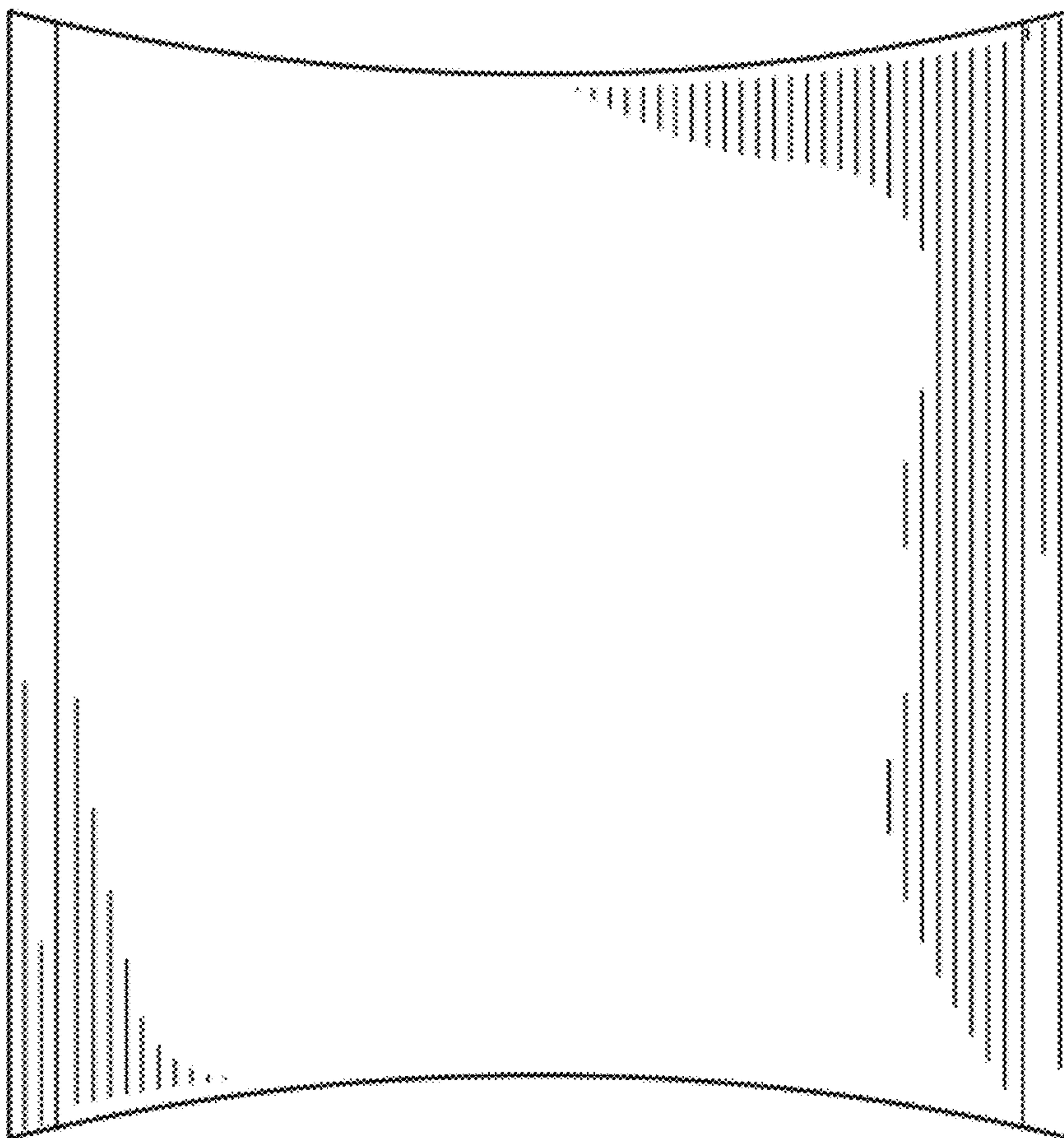


FIG. 6

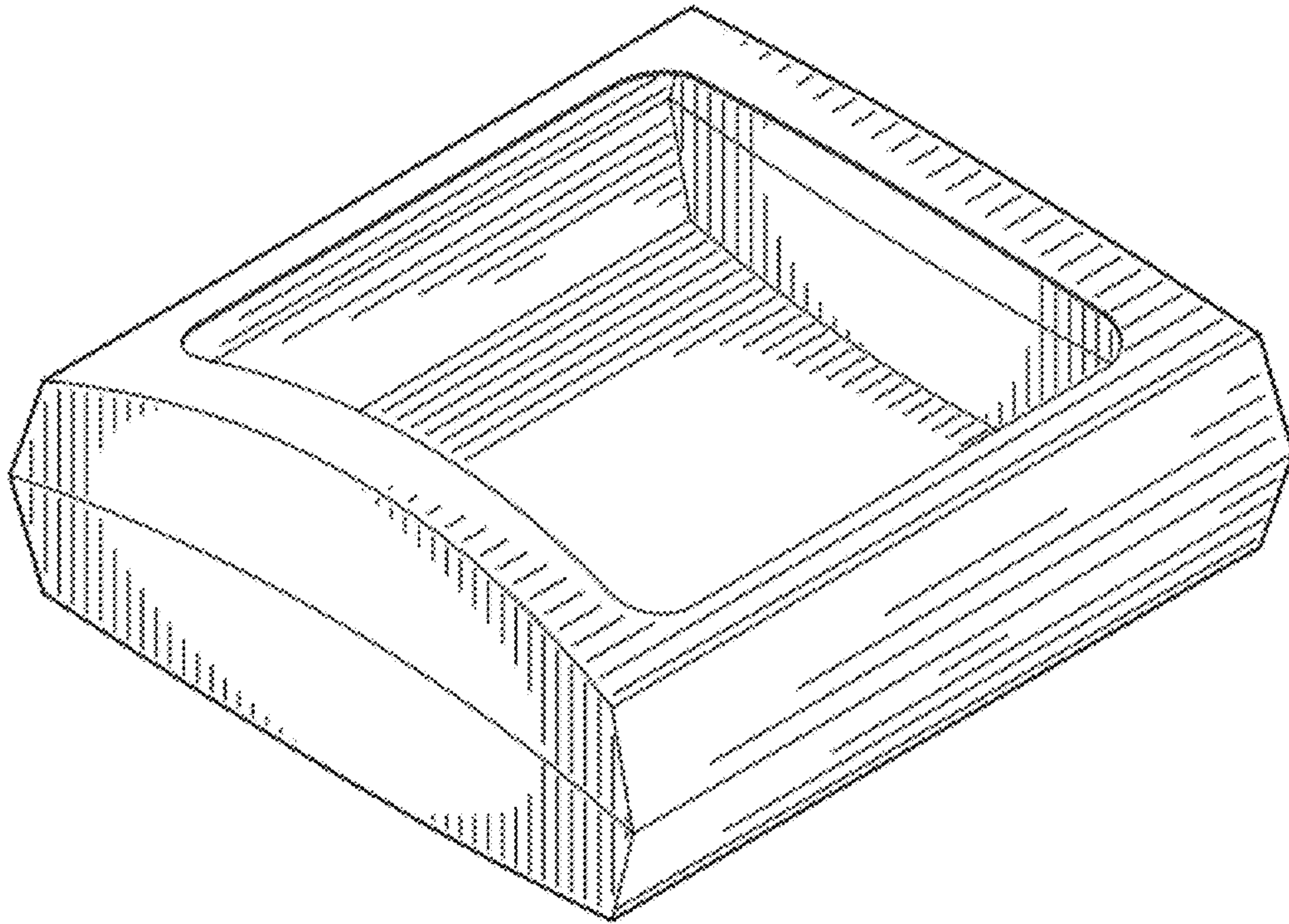


FIG. 7

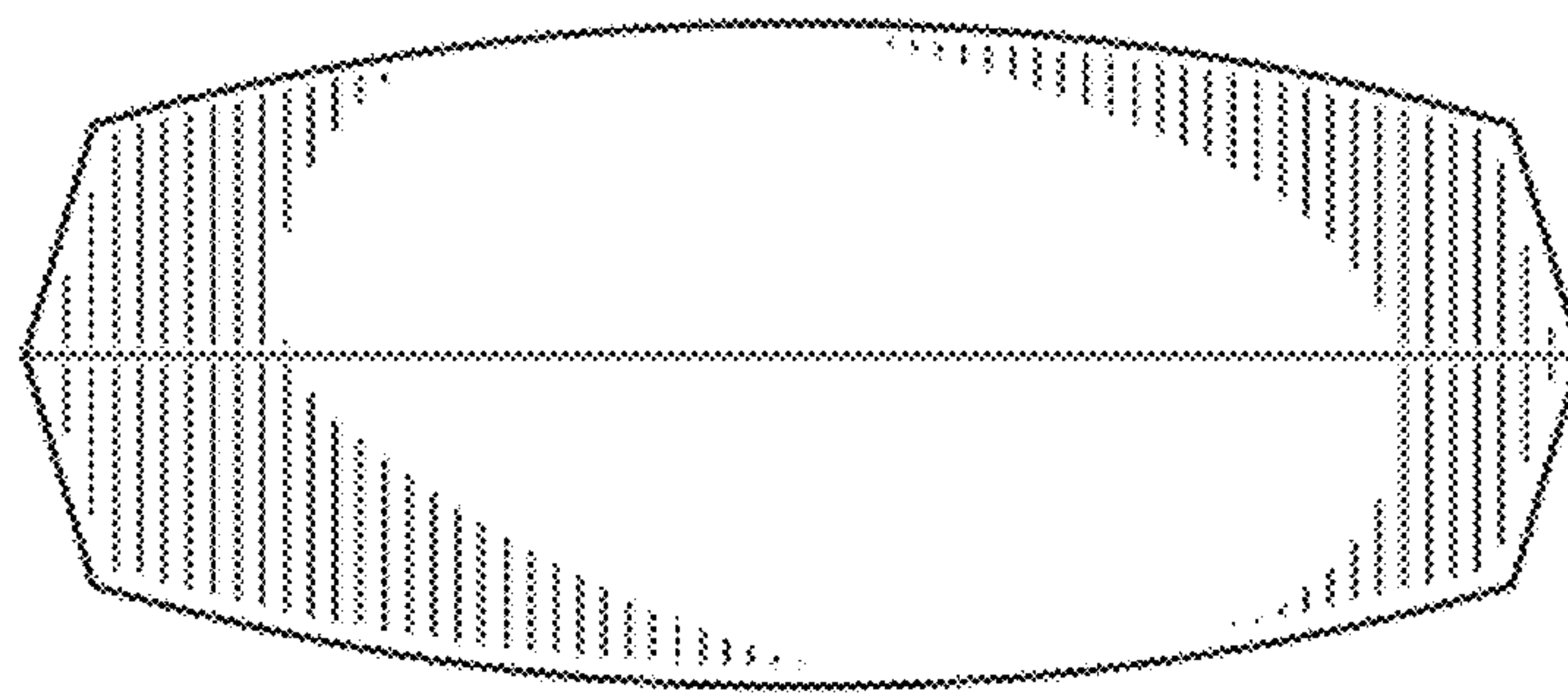


FIG. 8



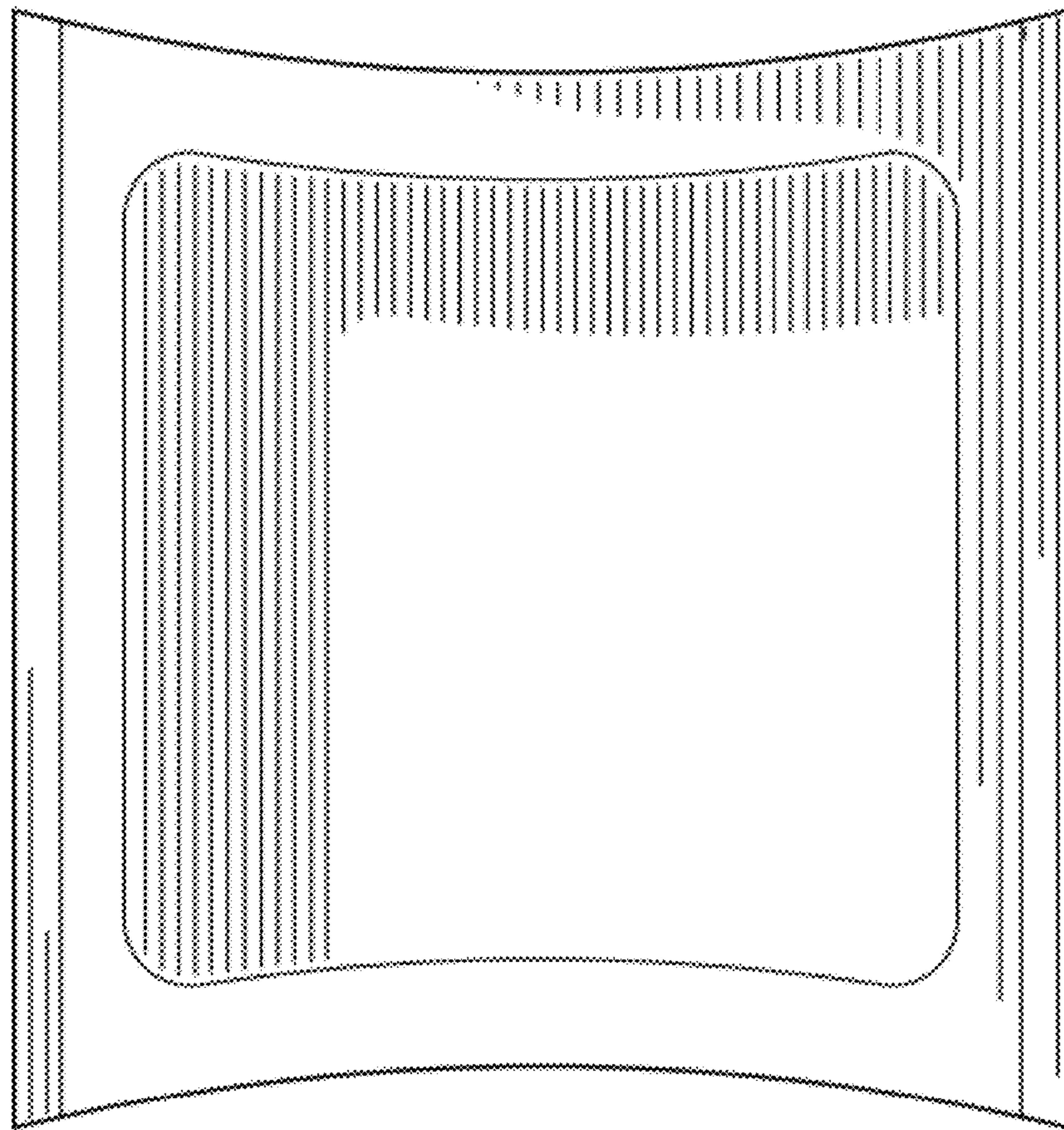


FIG. 9



FIG. 10

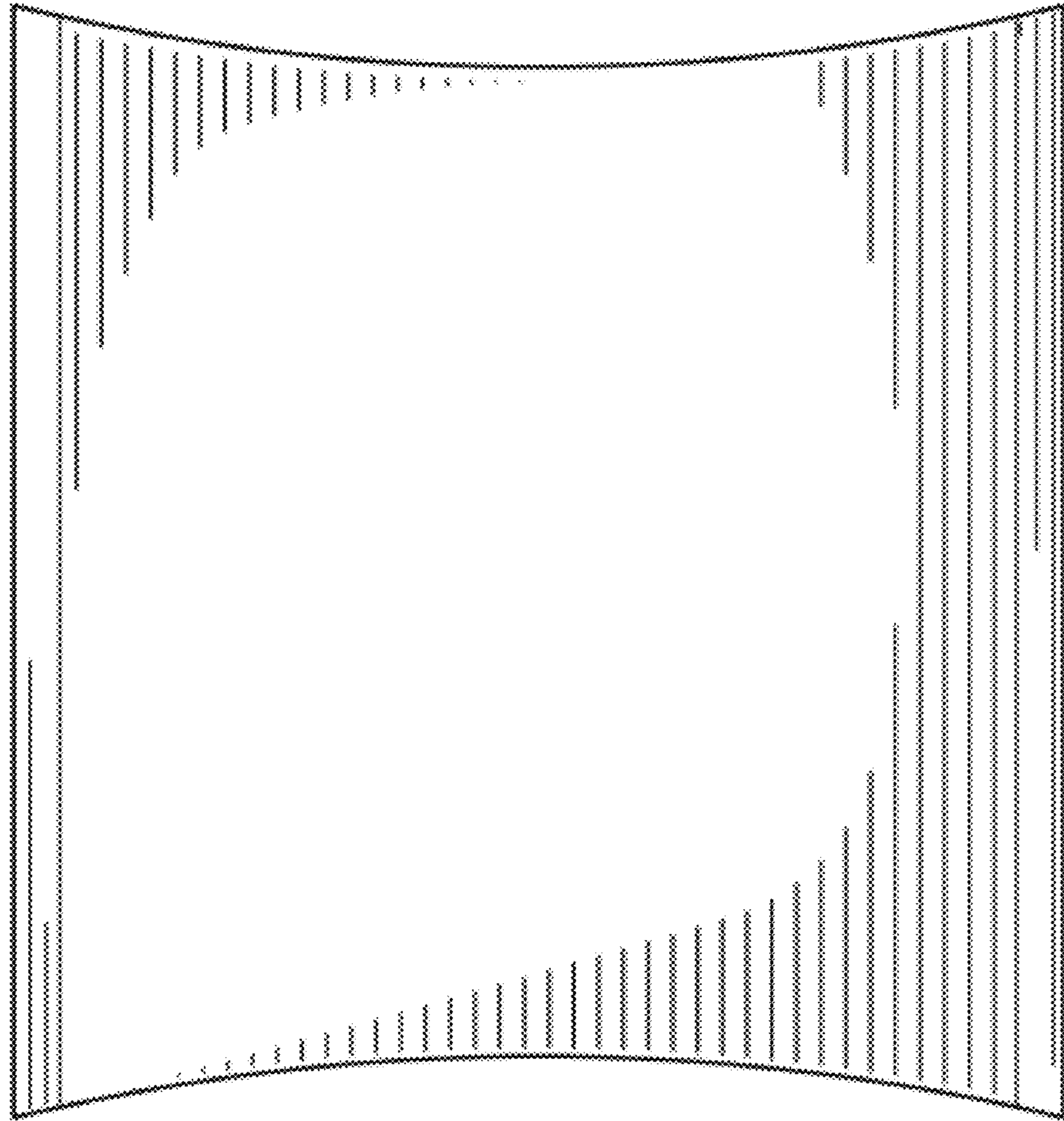


FIG.11

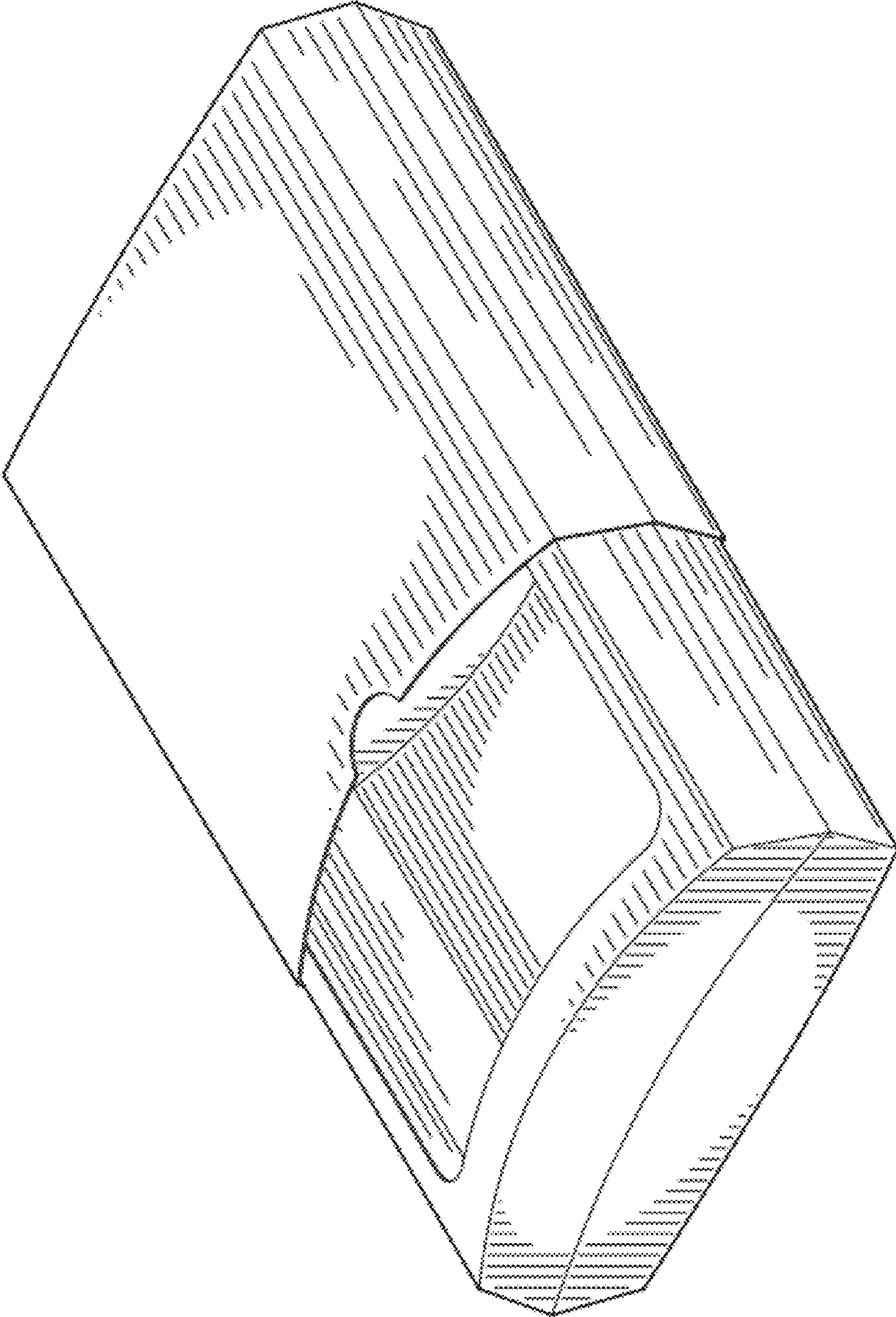


FIG. 12