



US00D657252S

(12) **United States Design Patent**  
**Crapser et al.**

(10) **Patent No.:** **US D657,252 S**  
(45) **Date of Patent:** **\*\* Apr. 10, 2012**

(54) **VESSEL**

(75) Inventors: **James R. Crapser**, Racine, WI (US);  
**Kristina J. Genslak**, Racine, WI (US)

(73) Assignee: **S.C. Johnson & Son, Inc.**, Racine, WI (US)

(\*\*) Term: **14 Years**

(21) Appl. No.: **29/376,232**

(22) Filed: **Oct. 4, 2010**

(51) **LOC (9) Cl.** ..... **09-01**

(52) **U.S. Cl.** ..... **D9/504**; D9/529; D9/549; D28/82

(58) **Field of Classification Search** ..... D28/73,  
D28/76, 82, 91; D9/503-505, 529, 549;  
D7/356, 584, 540-541; D24/121, 224, 226;  
215/379-385; 220/660, 662-673, 675; 600/26  
See application file for complete search history.

(56) **References Cited**

**U.S. PATENT DOCUMENTS**

D353,521 S \* 12/1994 Booten ..... D7/629  
(Continued)

**OTHER PUBLICATIONS**

Karen A. Baikie & Kay Wilhelm, "Emotional and Physical Health Benefits of Expressive Writing", *Advances in Psychiatric Treatment* (2005), vol. 11, 338-346.

(Continued)

*Primary Examiner* — Jennifer Rivard

(57) **CLAIM**

The ornamental design for the vessel, as shown and described.

**DESCRIPTION**

FIG. 1 is a perspective view of our new design in an assembled state;

FIG. 2 is a front view of the vessel of FIG. 1, the rear, left and right side views being identical;

FIG. 3 is a top view of the vessel of FIG. 1;

FIG. 4 is a bottom view of the vessel of FIG. 1;

FIG. 5 is perspective view of bowl of our new design;

FIG. 6 is a front view of the bowl of FIG. 5, the rear, left and right side views being identical;

FIG. 7 is a top view of the bowl of FIG. 5;

FIG. 8 is a bottom view of the bowl of FIG. 5;

FIG. 9 is a perspective view of the primary lid of our new design;

FIG. 10 is a front view of the primary lid of FIG. 9, the rear, left and right side views being identical

FIG. 11 is a top view of the primary lid of FIG. 9;

FIG. 12 is a bottom view of the primary lid of FIG. 9;

FIG. 13 is a perspective view of the secondary lid of our new design;

FIG. 14 is a front view of the secondary lid of FIG. 13, the rear, left, and right side views being identical;

FIG. 15 is top view of the secondary lid of FIG. 13;

FIG. 16 is a bottom view of the secondary lid of FIG. 13;

FIG. 17 is a perspective view of the assembled primary lid and secondary lid of our new design, the rear, left, and right side views being identical;

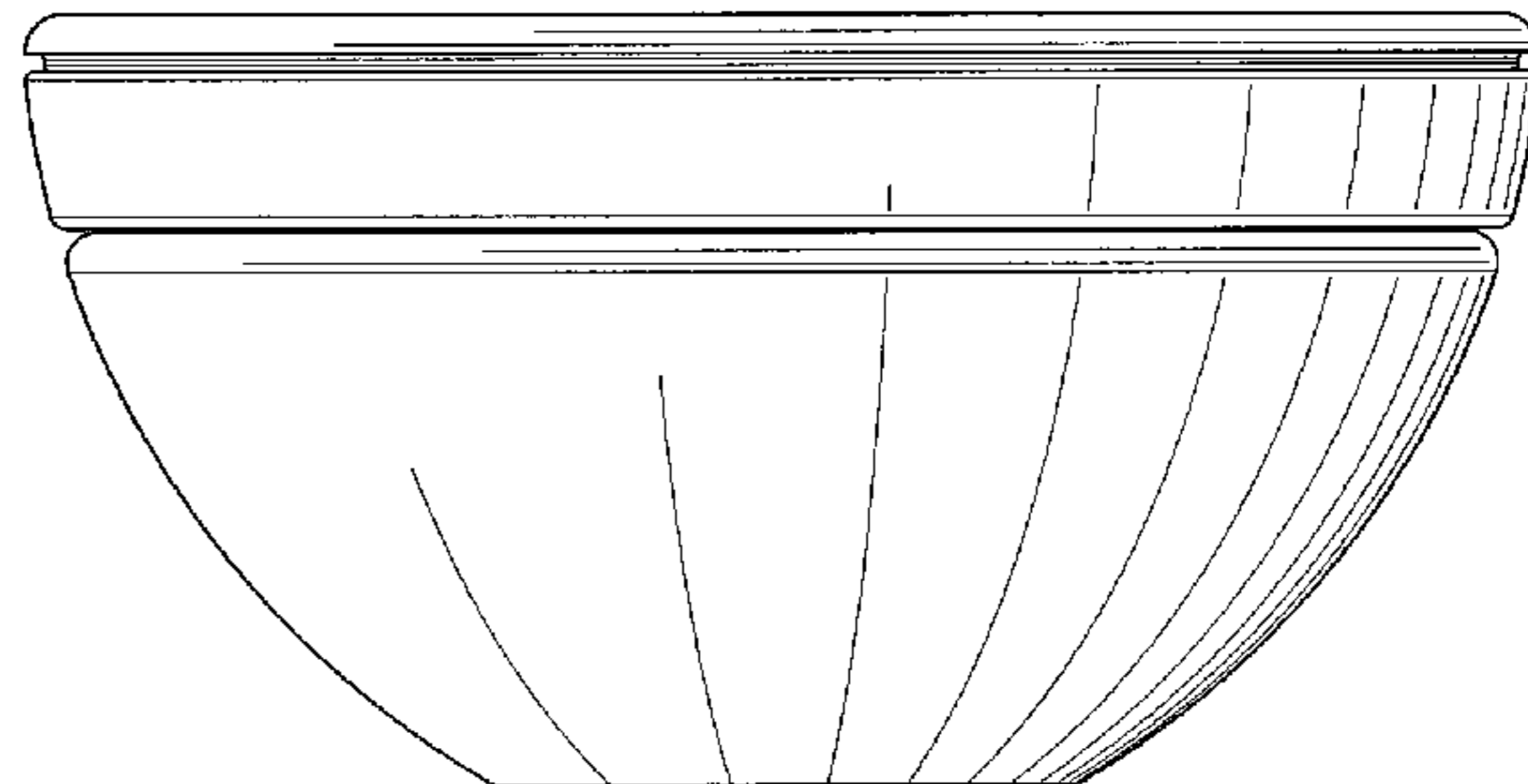
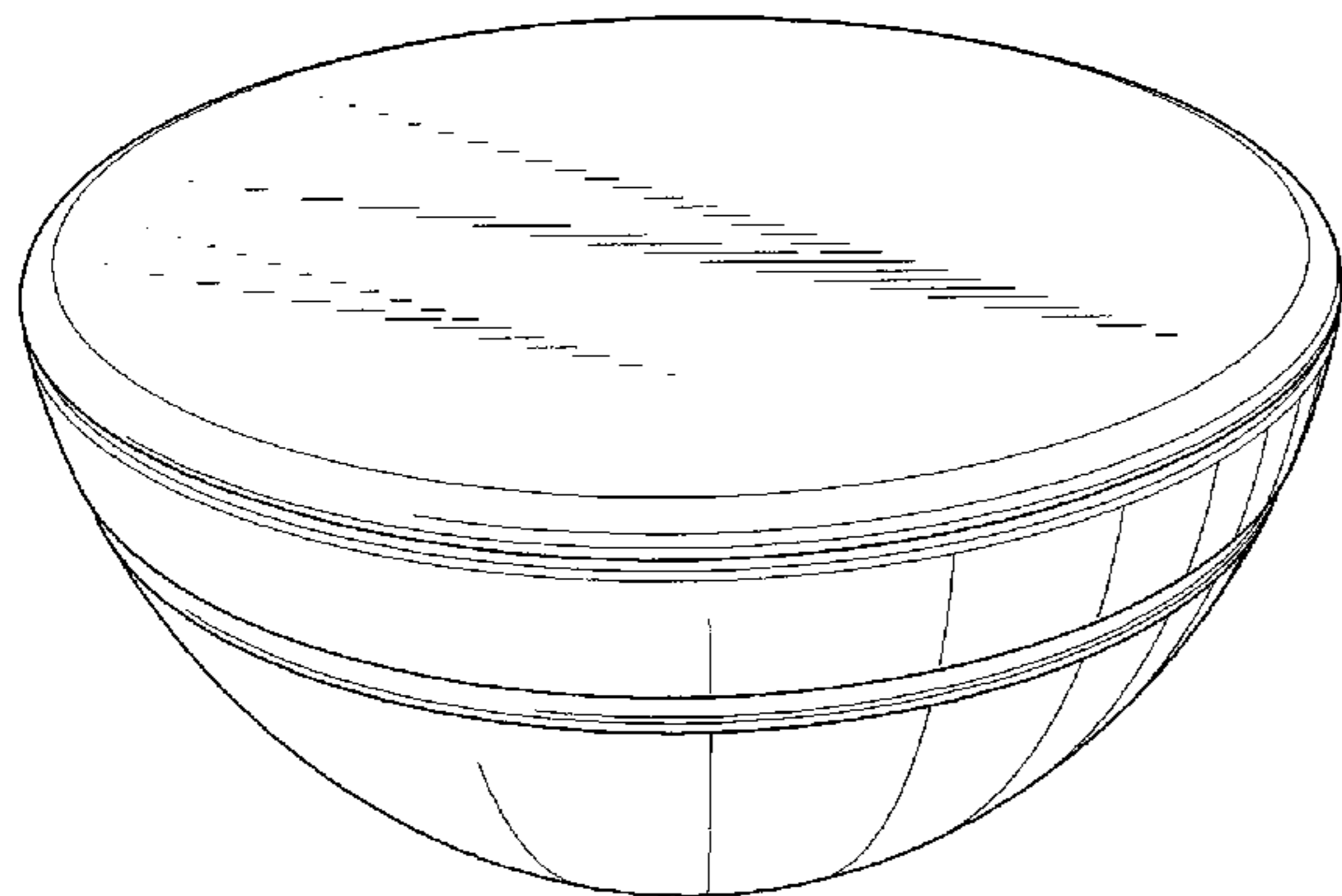
FIG. 18 is a front view of the assembled primary and secondary lids of FIG. 17;

FIG. 19 is a top view of the assembled primary and secondary lids of FIG. 17; and,

FIG. 20 is a bottom view of the assembled primary and secondary lids of FIG. 17.

The bowl and lids are disclosed separately for convenience of illustration.

**1 Claim, 20 Drawing Sheets**



U.S. PATENT DOCUMENTS

D392,889	S *	3/1998	Liu .....	D9/504
D405,003	S *	2/1999	Dapsanse .....	D9/504
D434,324	S *	11/2000	Gobe .....	D9/504
6,375,622	B1	4/2002	Kao et al.	
6,497,577	B2	12/2002	Kanter	
6,579,102	B2	6/2003	Popkey	
6,855,112	B2	2/2005	Kao et al.	
D543,848	S *	6/2007	Mettler et al. ....	D9/504
D544,350	S *	6/2007	Mettler et al. ....	D9/504
7,347,815	B2	3/2008	Serbanescu	
D581,280	S *	11/2008	Oates .....	D9/529
D603,266	S *	11/2009	Dibnah et al. ....	D9/529
D610,009	S *	2/2010	Prufer .....	D9/504
D615,867	S *	5/2010	Sagaseki et al. ....	D9/529
D627,650	S *	11/2010	Yeung .....	D9/504
D645,352	S *	9/2011	Bore .....	D9/504
2006/0031245	A1	2/2006	Krieglstein	
2006/0088803	A1	4/2006	Bianco et al.	
2006/0292532	A1	12/2006	Steru	
2008/0070208	A1	3/2008	Wilburn	
2008/0113322	A1	5/2008	Robb	
2008/0200796	A1	8/2008	Graham et al.	

OTHER PUBLICATIONS

Anna Graybeal, et al., "The Role of Story-Making in Disclosure Writing: The Psychometrics of Narrative" *Psychology and Health*, 2002, vol. 17, No. 5, pp. 571-581.

News Account, "Writing Down Feelings Really Does Make Us Feel Better, Study Says", Jun. 22, 2007, Published on Scientific Blogging; (<http://www.scientificblogging.com>).

Subhabrata Das, "Putting Down Negative Feelings Makes You Happier", *Digital Journal*, Feb. 18, 2009; (<http://www.digitaljournal.com/article/267520>).

"Journal Therapy", *Alternative Medicine Encyclopedia: Journal Therapy*; ([www.answers.com/topic/journal-therapy?&print=true](http://www.answers.com/topic/journal-therapy?&print=true)). 2009.

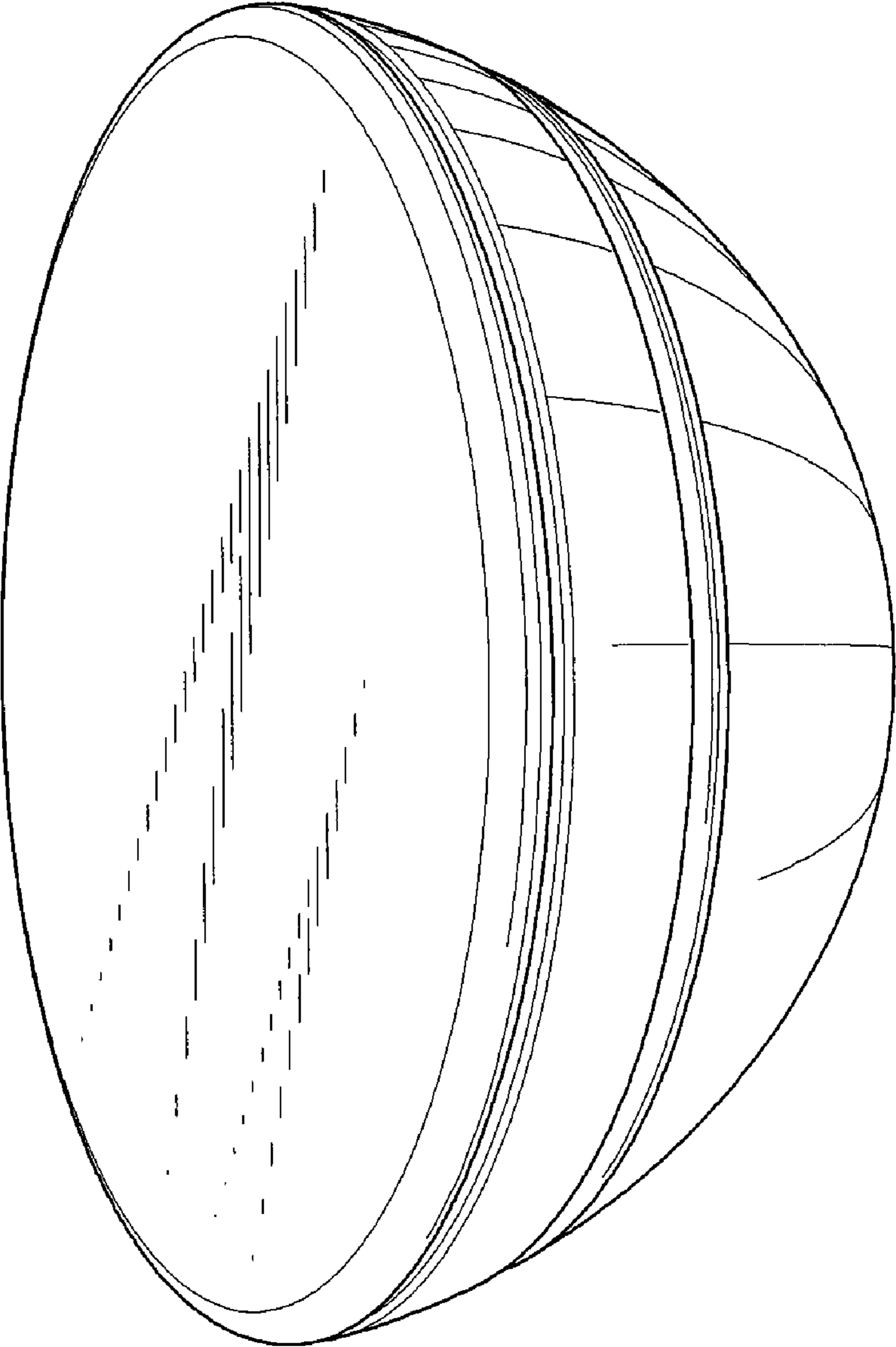
"Writing Therapy", *WholeHealthMD*; pp. 1-4; (<http://www.wholehealthmd.com>).

"Pioneering Police Study Shows Value of Writing Down Feelings" Mar. 7, 2005; p. 1 of 1; (<http://www.expertguide.com.au>) 2009.

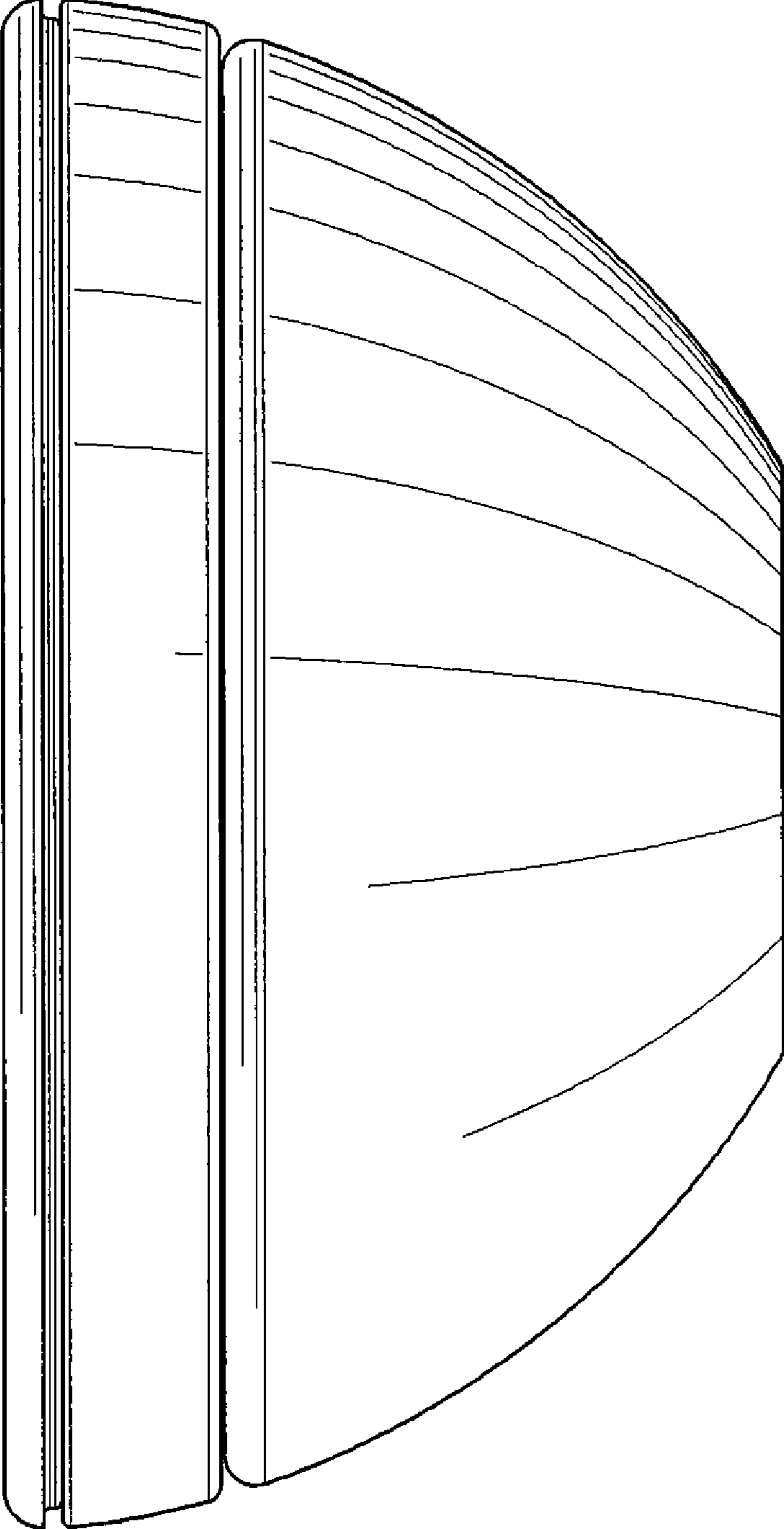
"Writing Therapy", pp. 1-3; (<http://www.healingwithsoul.com>) 2009.

\* cited by examiner

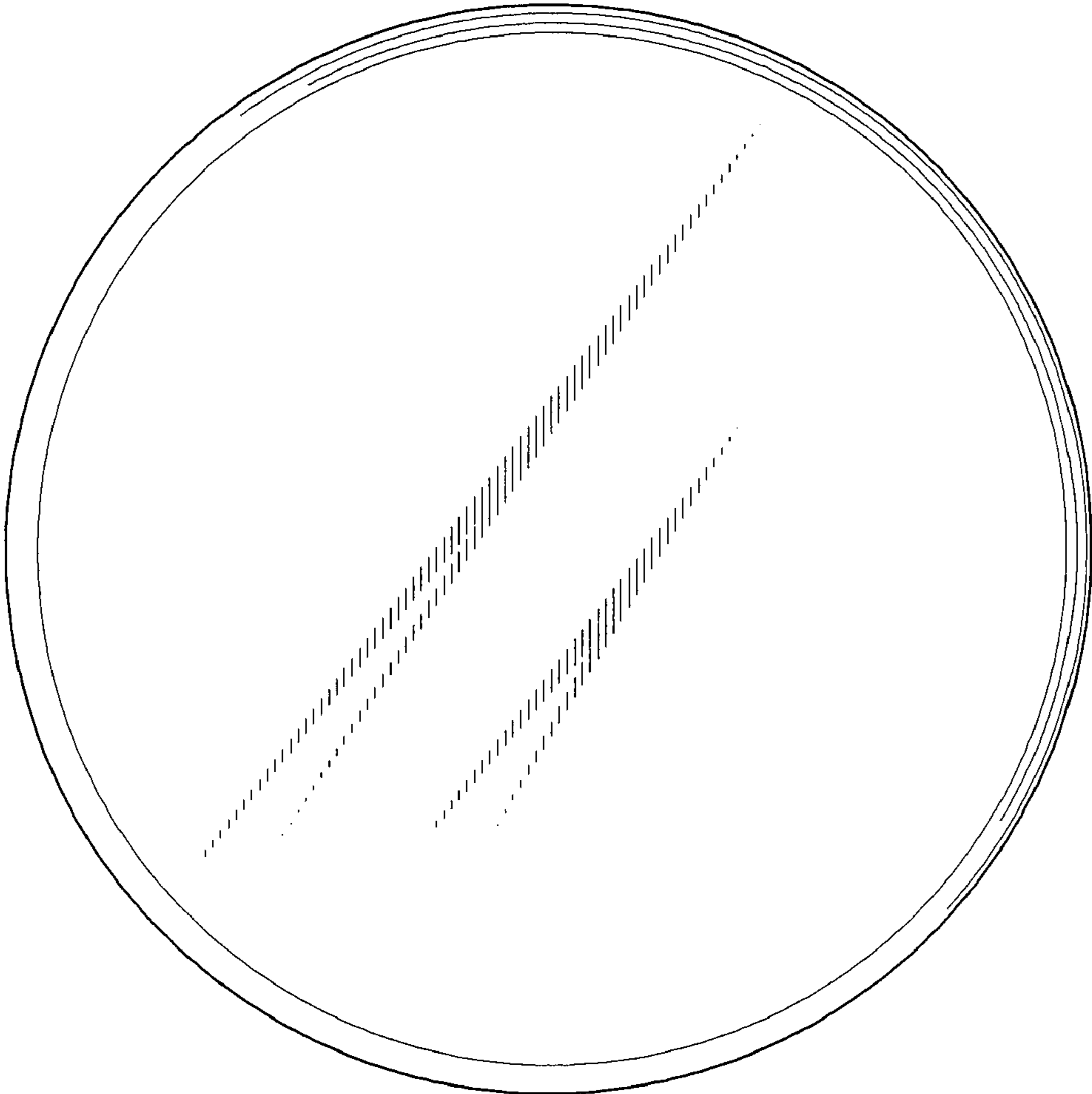
**FIG. 1**



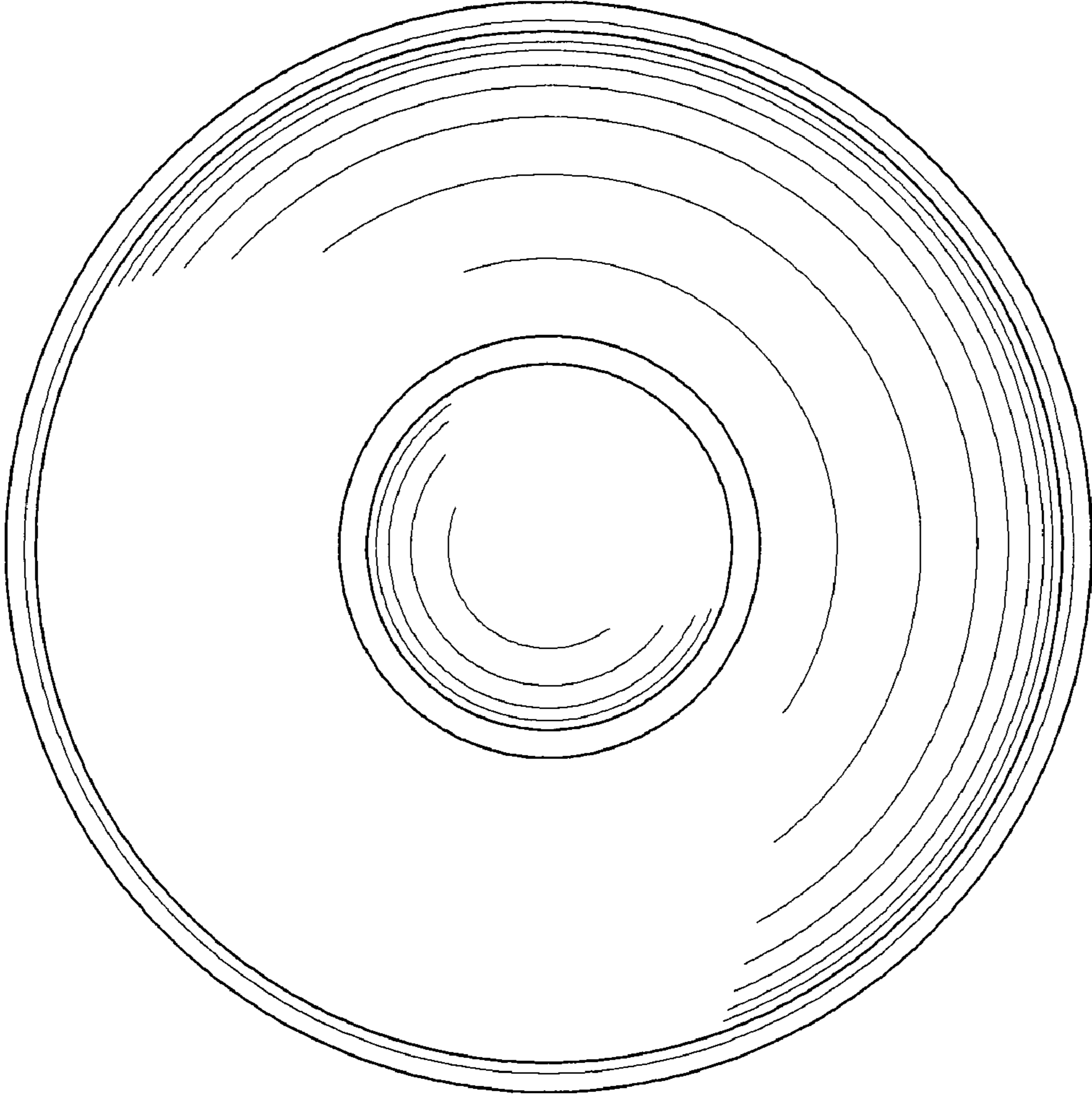
**FIG. 2**



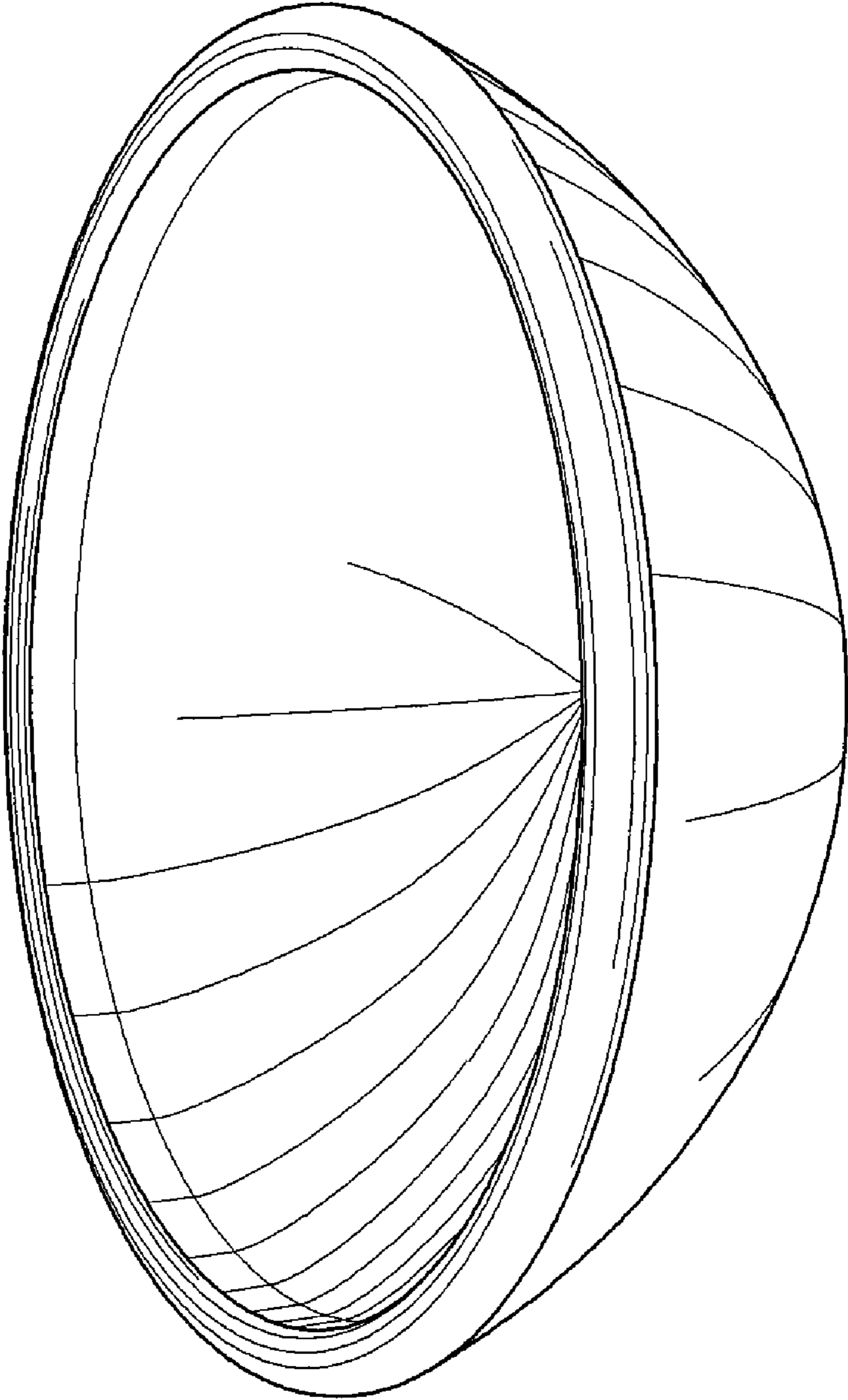
**FIG. 3**



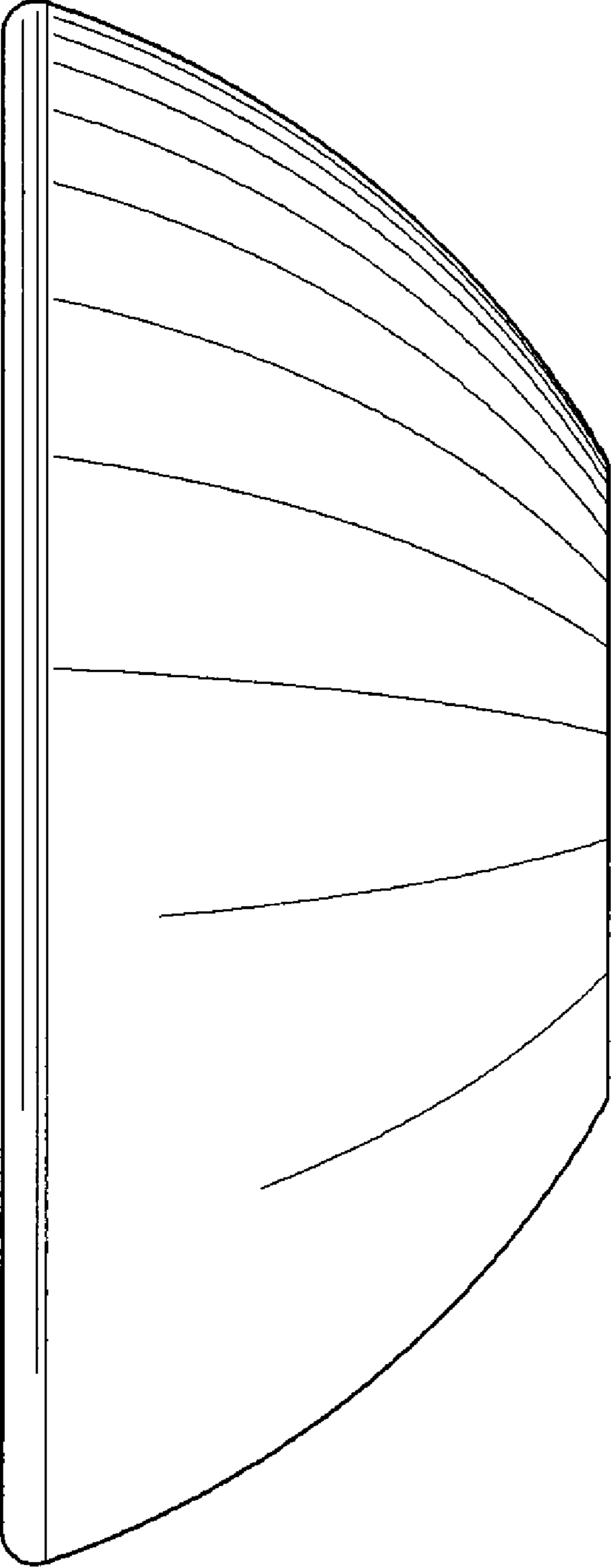
**FIG. 4**



**FIG. 5**

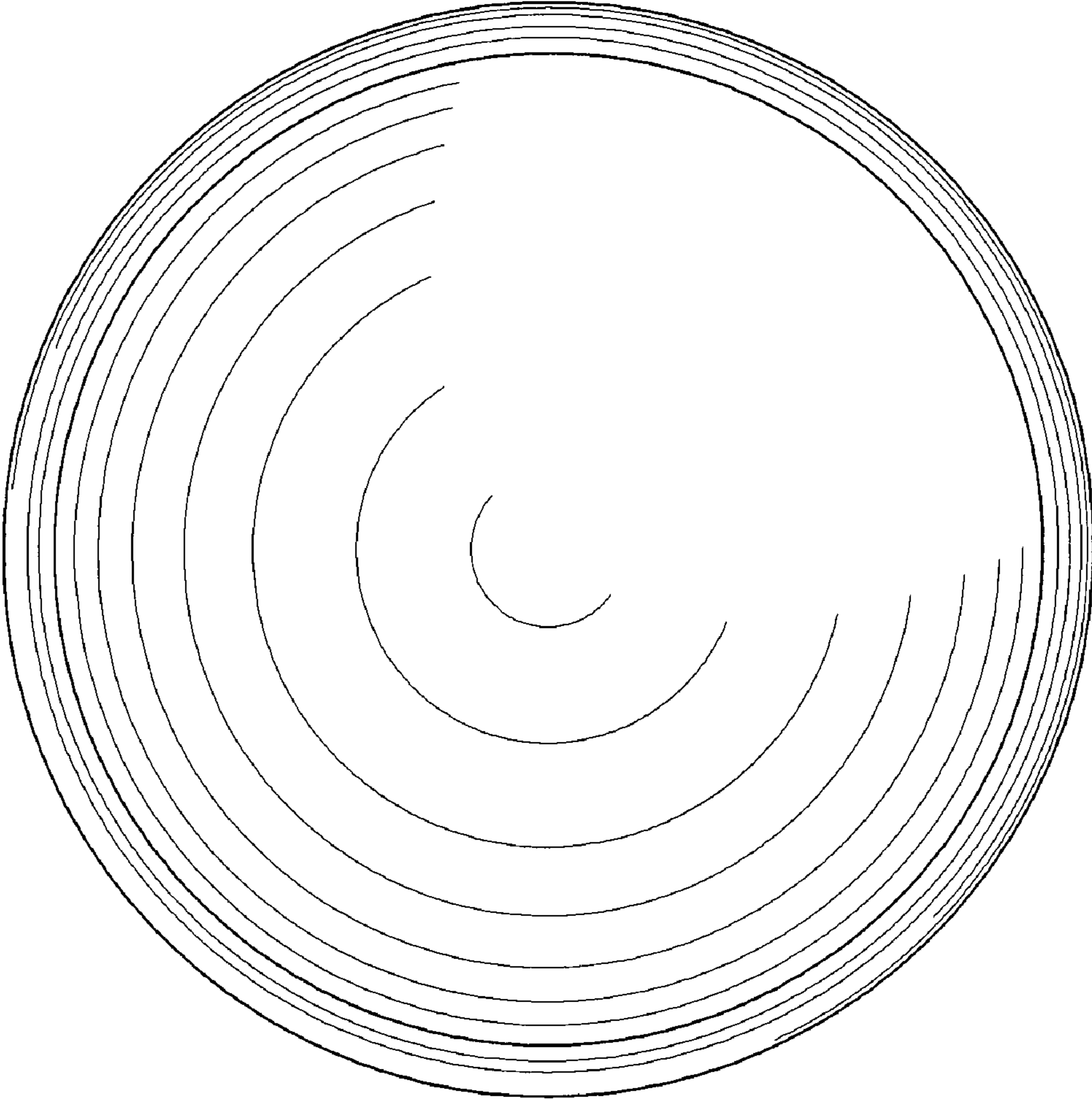


**FIG. 6**

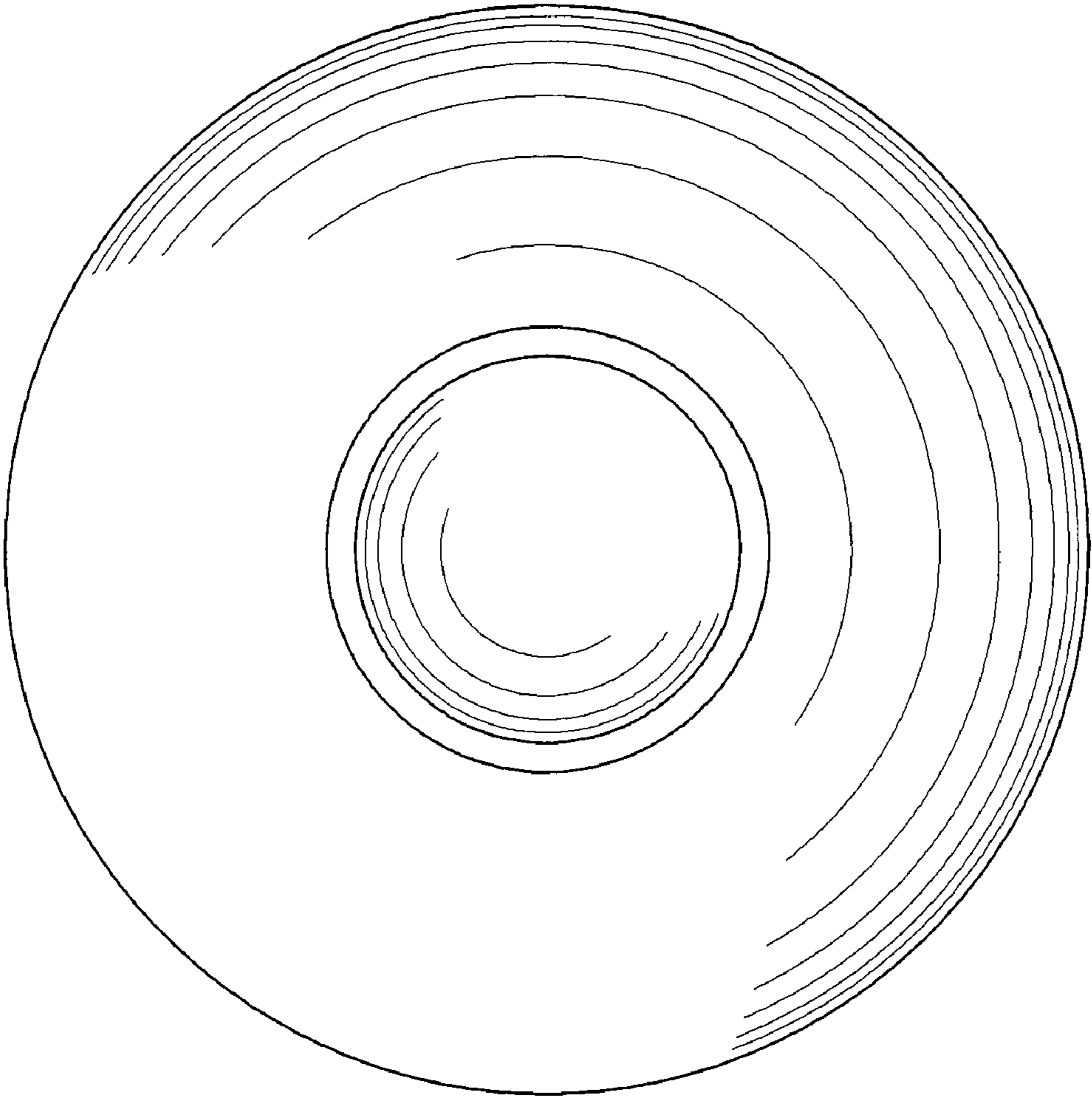




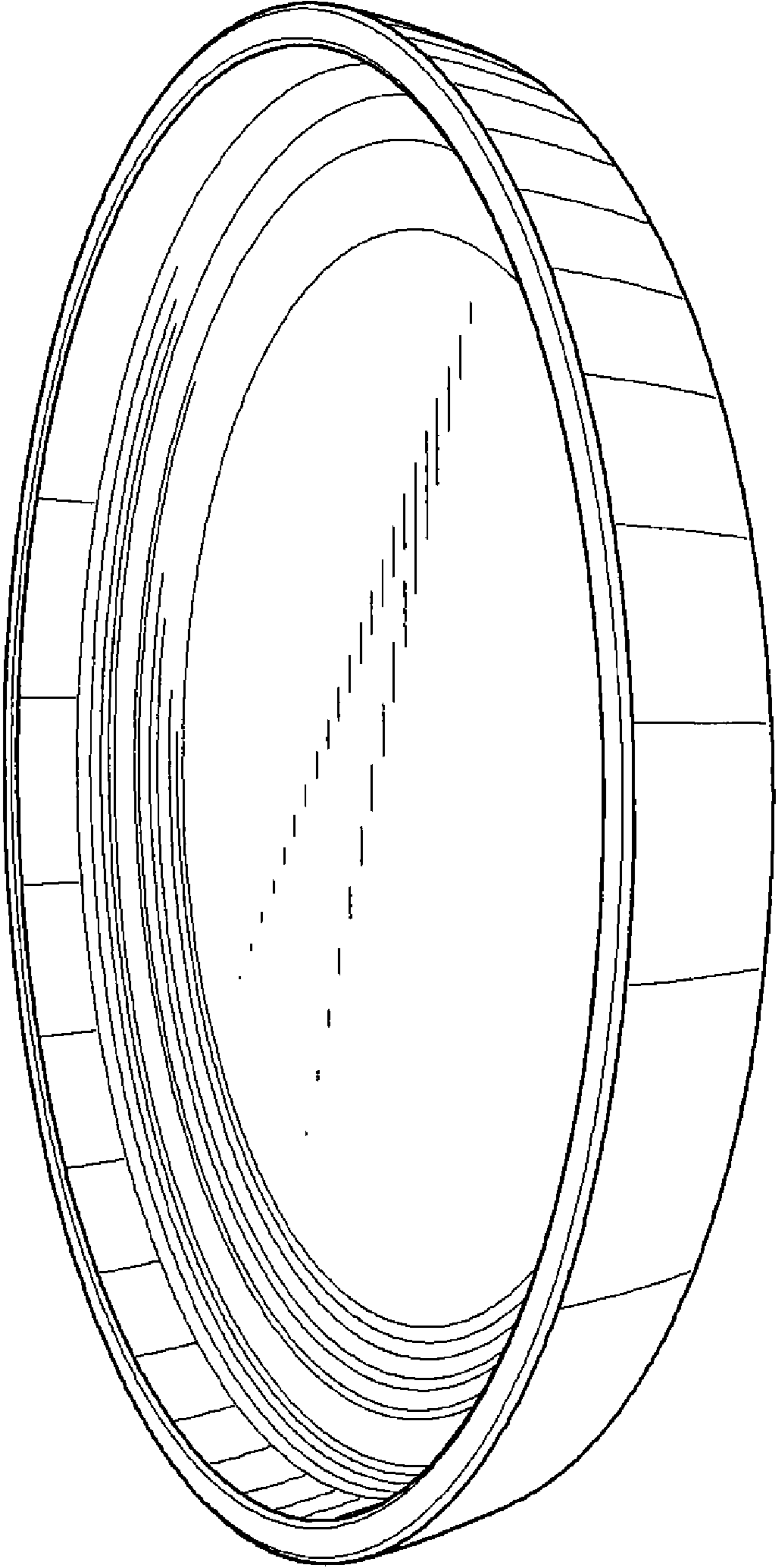
**FIG. 7**



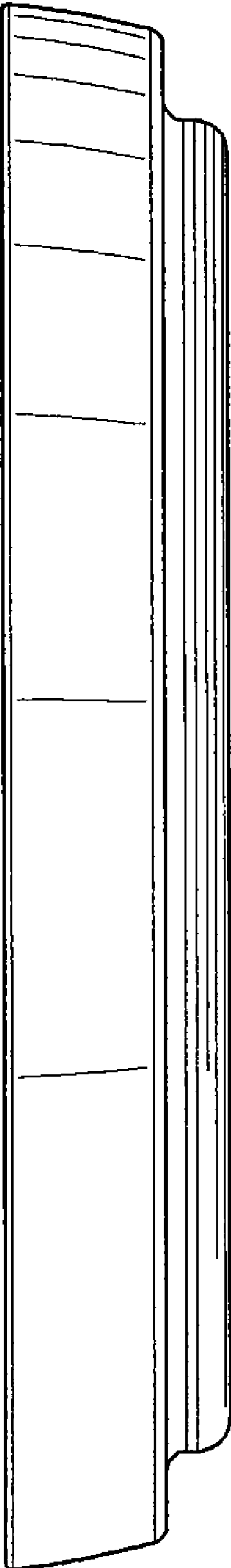
**FIG. 8**



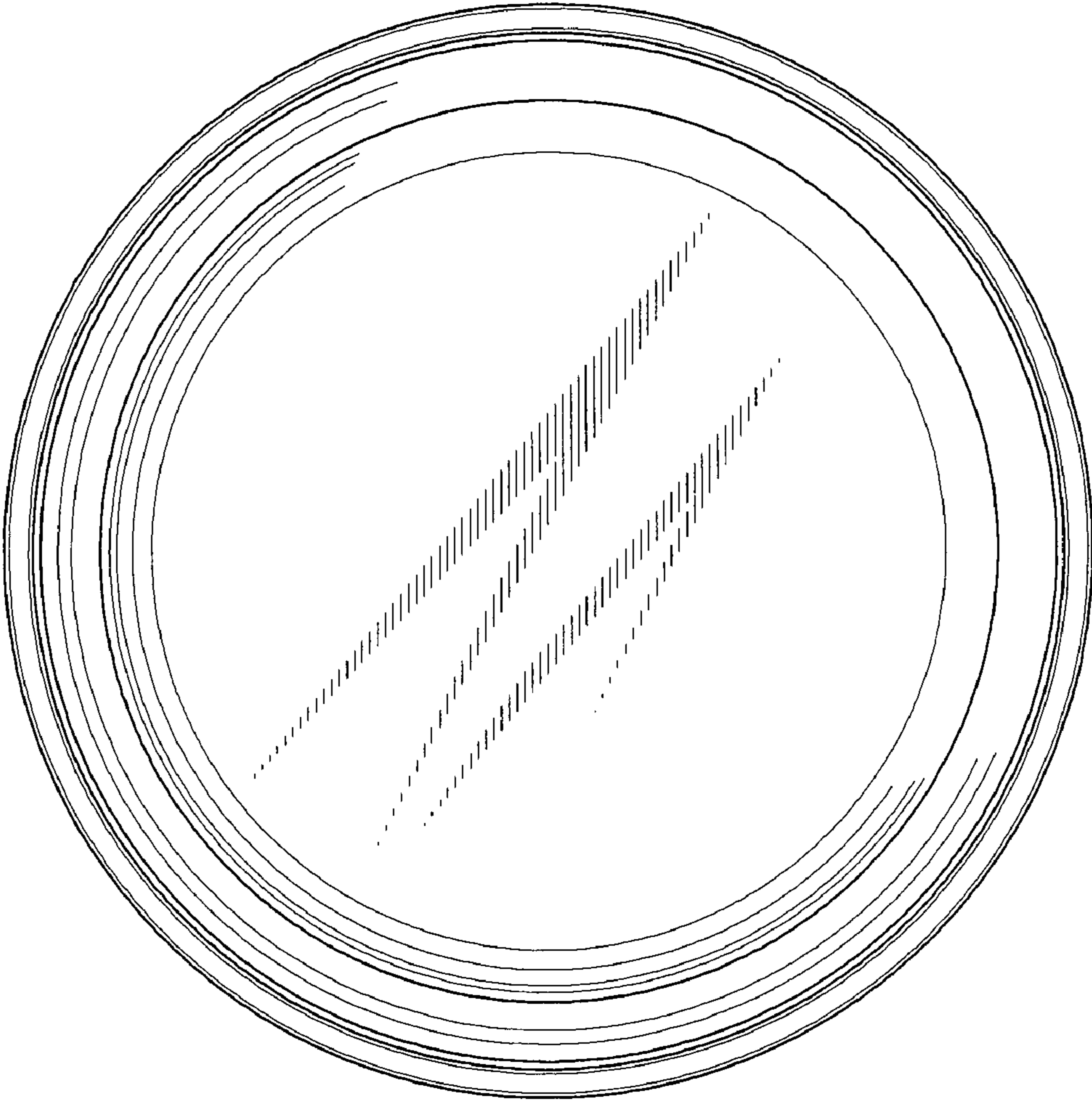
**FIG. 9**



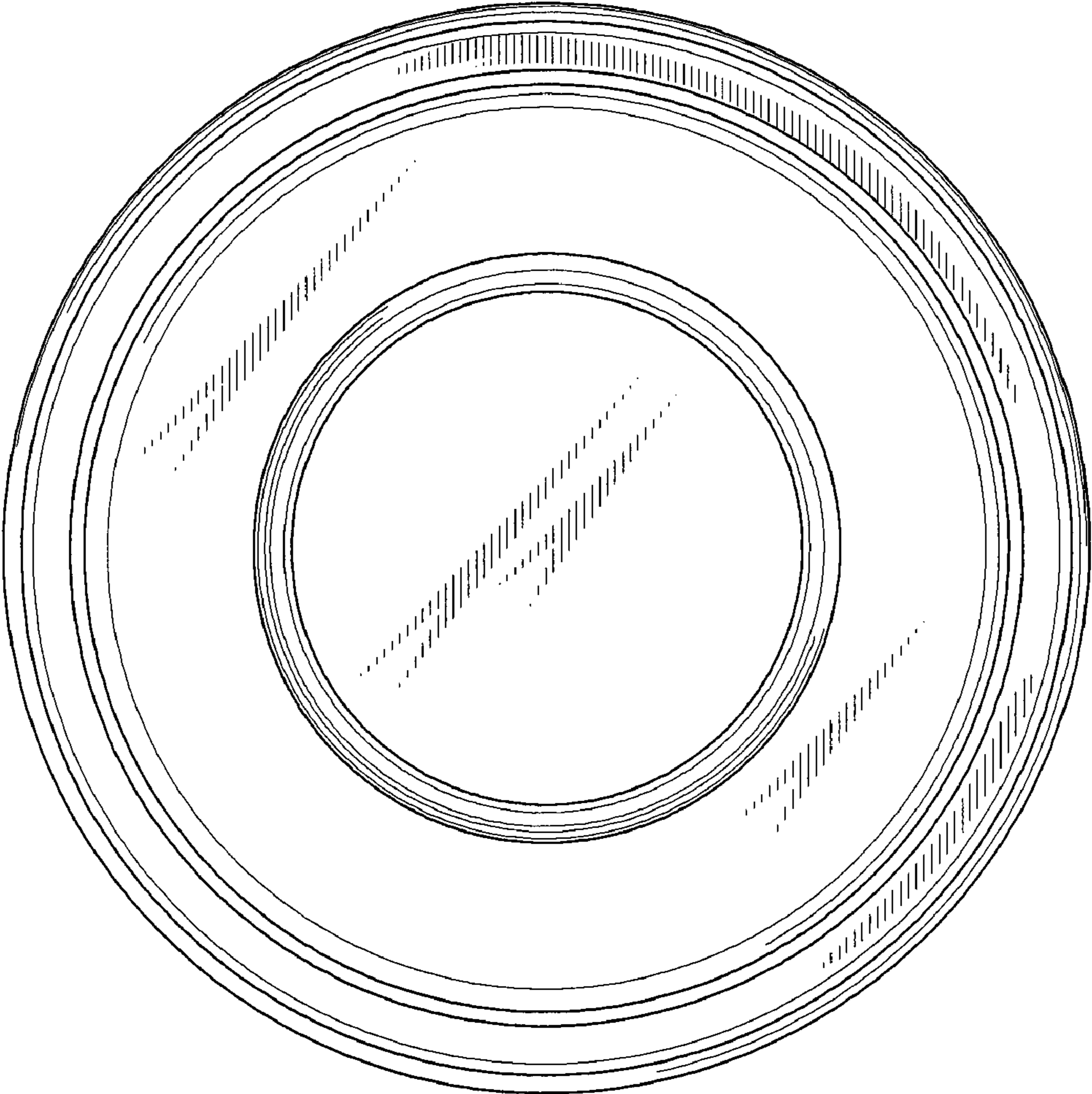
**FIG. 10**



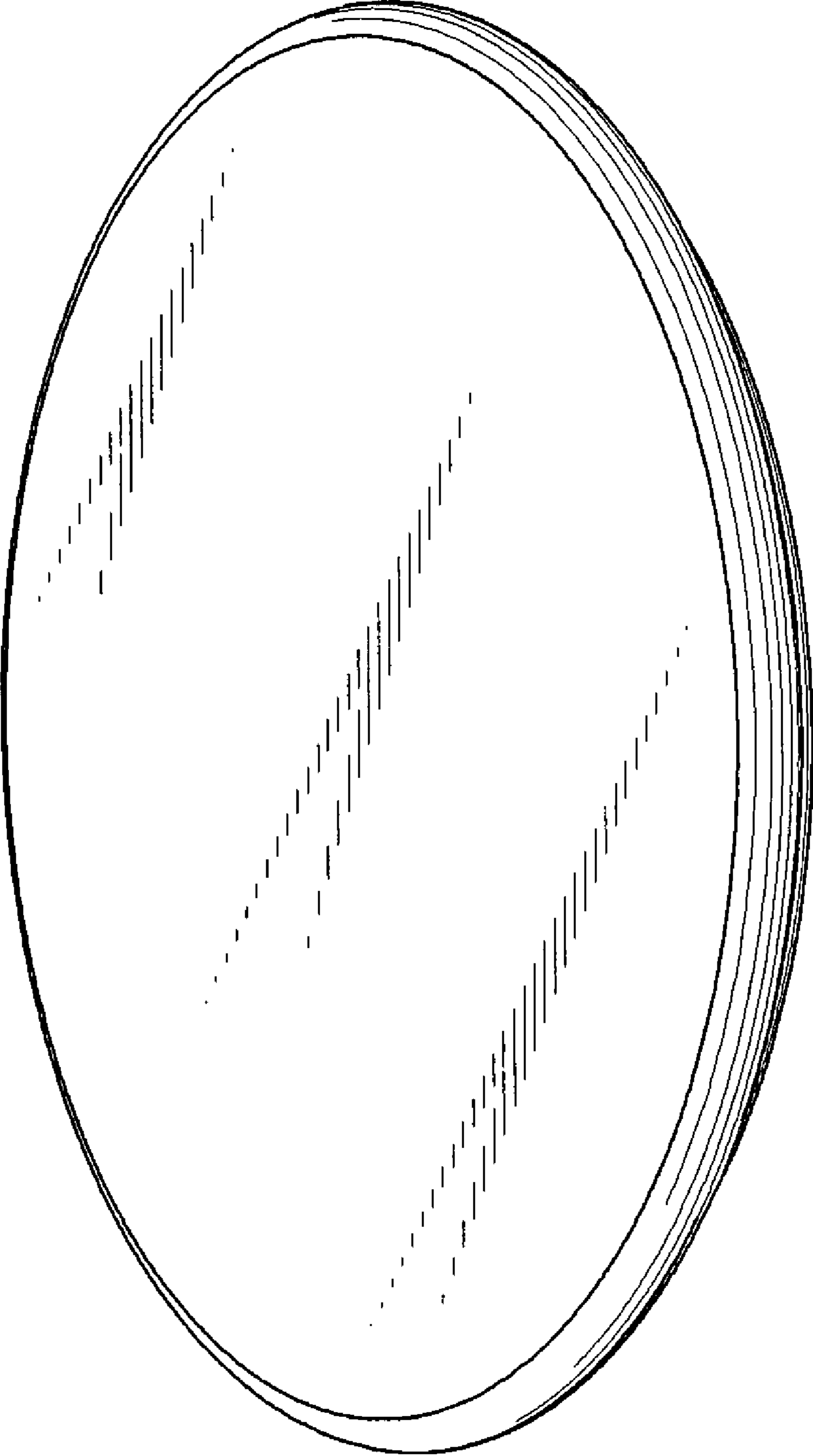
**FIG. 11**



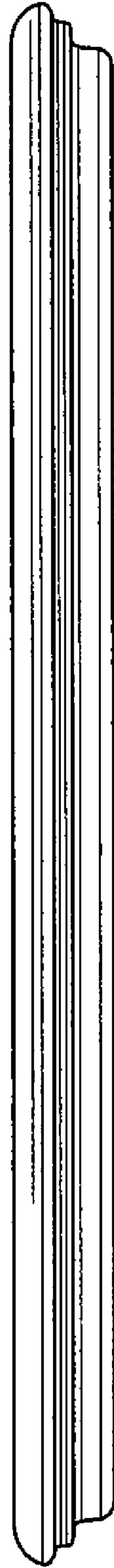
**FIG. 12**



**FIG. 13**

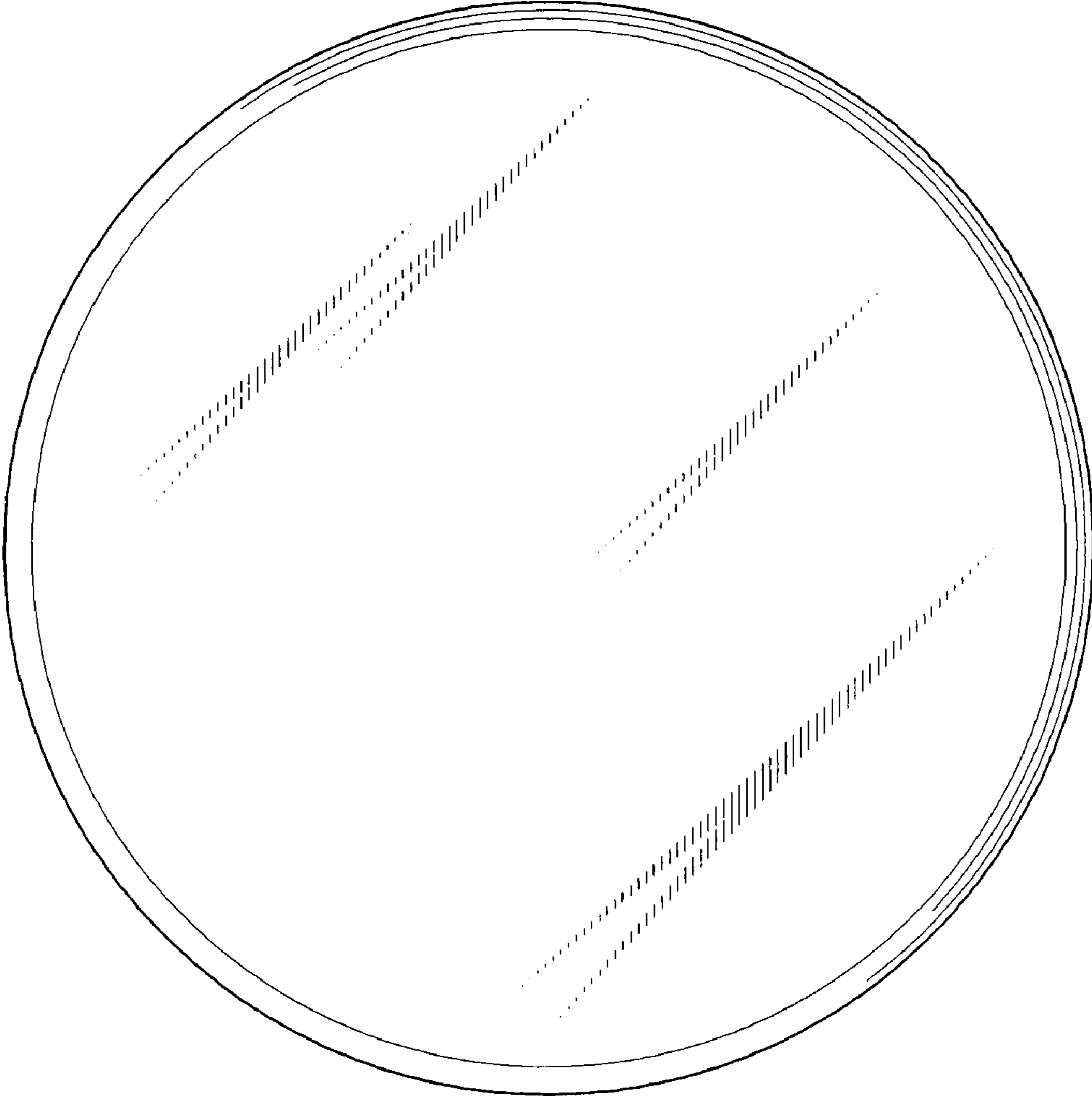


**FIG. 14**

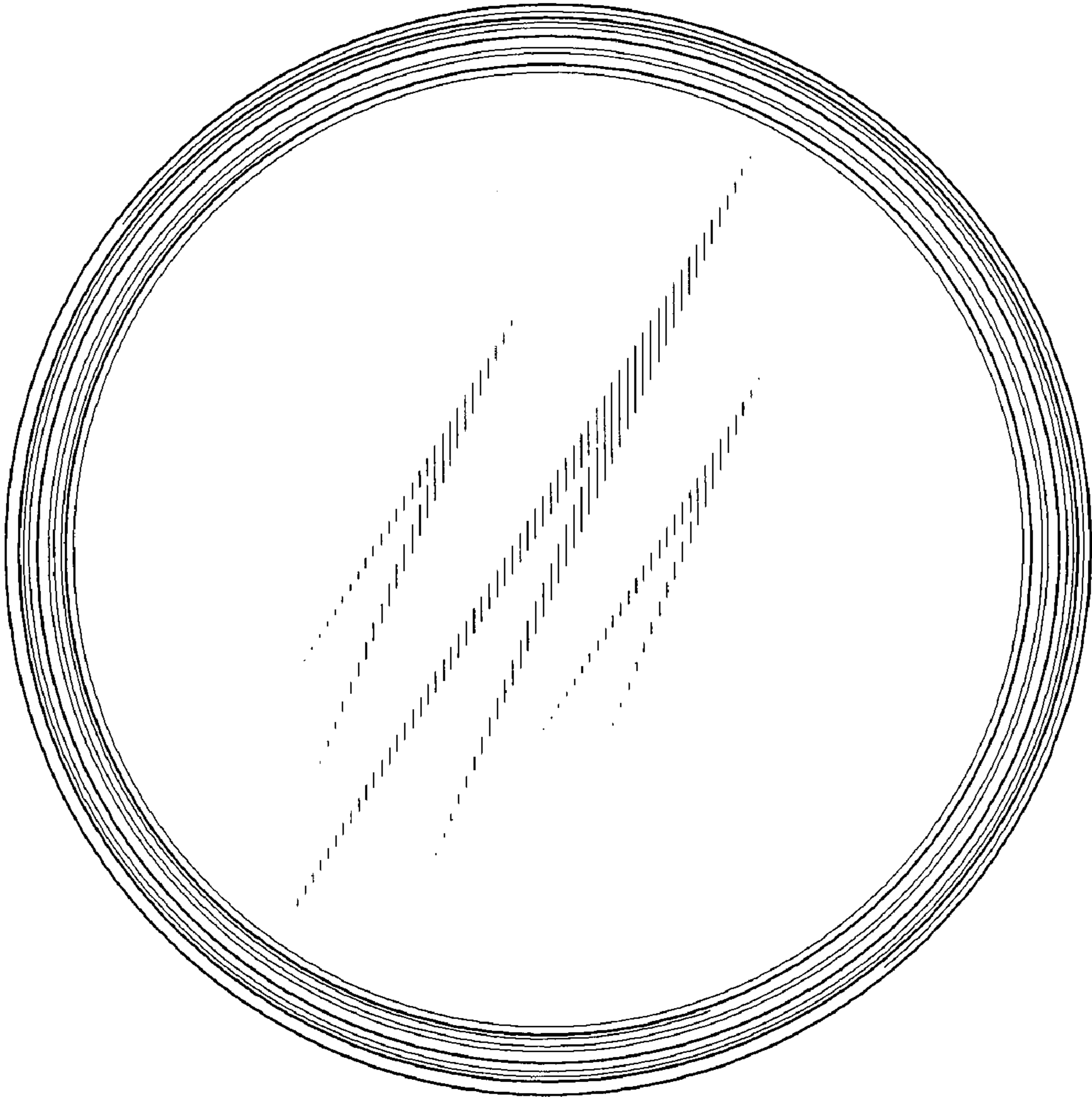




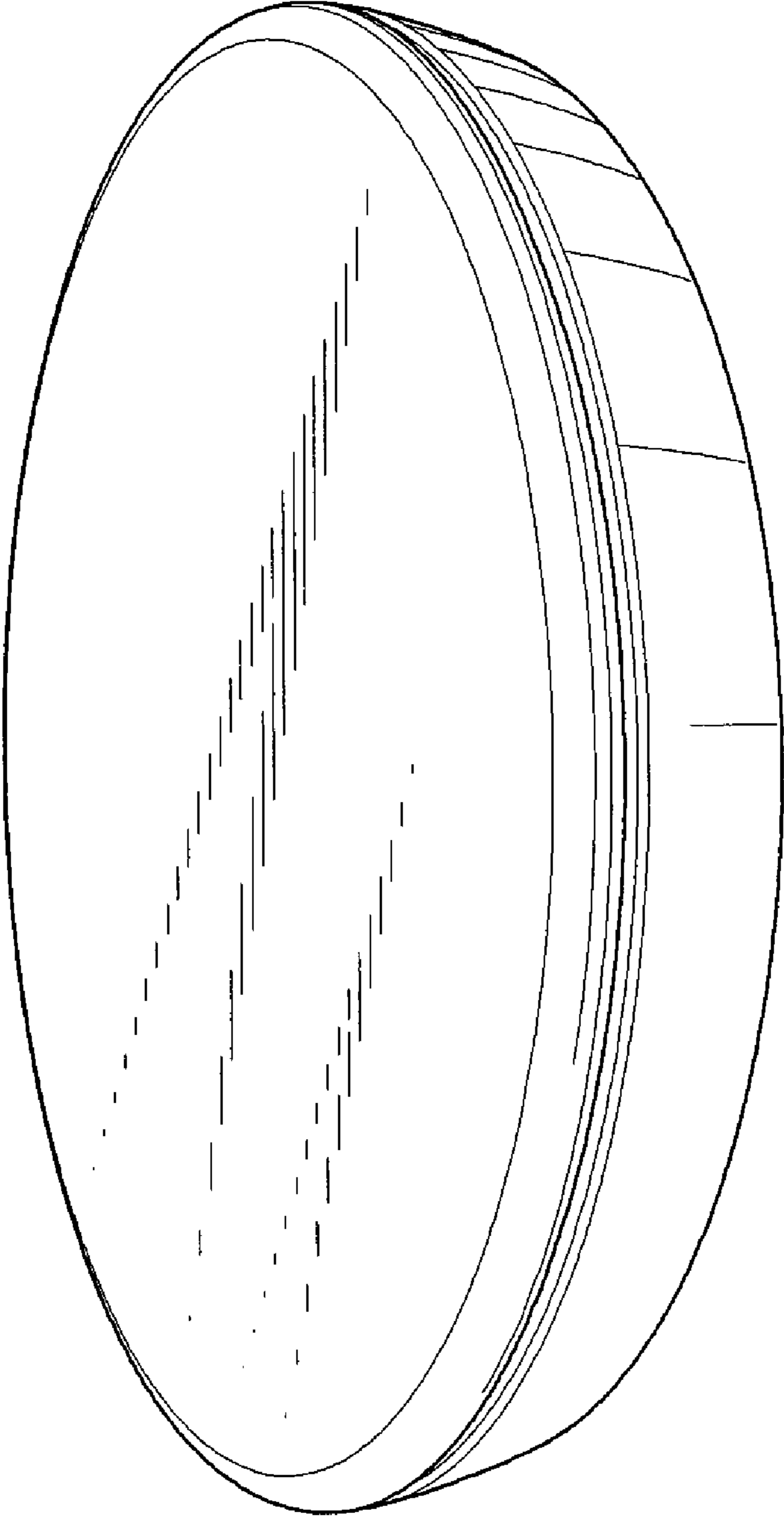
**FIG. 15**



**FIG. 16**



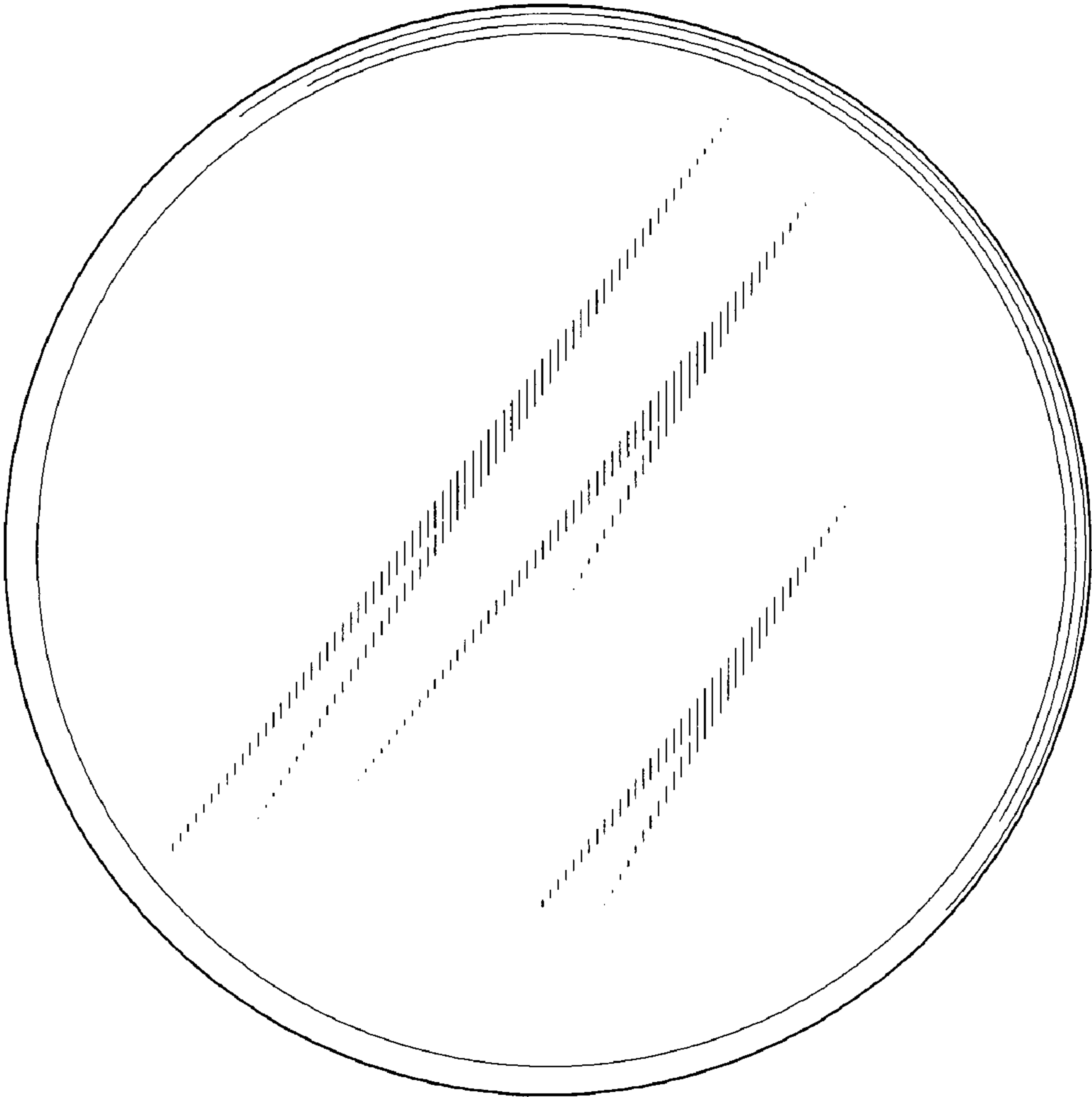
**FIG. 17**



**FIG. 18**



**FIG. 19**



**FIG. 20**

