



US00D657247S

(12) **United States Design Patent**  
**Nemeth et al.**

(10) **Patent No.:** **US D657,247 S**  
(45) **Date of Patent:** **\*\* Apr. 10, 2012**

(54) **BEVERAGE BOTTLE**

(75) Inventors: **Christopher P. Nemeth**, Atlanta, GA (US); **Gunnar B. Olson**, Smyrna, GA (US); **Brandon L. Stroud**, Smyrna, GA (US); **Leon J. Scott, III**, Atlanta, GA (US)

(73) Assignee: **Bubba Brands, Inc.**, Smyrna, GA (US)

(\*\*) Term: **14 Years**

(21) Appl. No.: **29/387,025**

(22) Filed: **Mar. 8, 2011**

(51) **LOC (9) Cl.** ..... **09-01**

(52) **U.S. Cl.** ..... **D9/502; D9/779**

(58) **Field of Classification Search** ..... D9/500,  
D9/502-505, 516, 537-540, 549-550, 557-558,  
D9/575; D7/509-511, 624.1, 624.2, 624.3;  
215/379, 381-382; 220/660, 662, 669, 675  
See application file for complete search history.

(56) **References Cited**

**U.S. PATENT DOCUMENTS**

D179,984 S	*	4/1957	Salamon	.....	D9/500
D257,715 S		12/1980	Pettengill		
D309,847 S	*	8/1990	Scheurer	.....	D7/606
D310,781 S		9/1990	Scott		
D440,498 S		4/2001	Buxton et al.		
D464,264 S		10/2002	Edson et al.		
D481,951 S		11/2003	Scott		
D490,654 S		6/2004	Allen et al.		
D492,602 S	*	7/2004	Sleeman	.....	D9/776
D499,649 S	*	12/2004	Olivares et al.	.....	D9/502
D507,458 S		7/2005	Allen et al.		
D509,754 S		9/2005	Scott et al.		
D517,923 S		3/2006	Iturriza		
D526,827 S		8/2006	Allen et al.		
D529,749 S		10/2006	Allen et al.		
D551,895 S		10/2007	Allen et al.		
D560,874 S	*	1/2008	Brans	.....	D34/39
D603,707 S	*	11/2009	Lourenco et al.	.....	D9/502

**OTHER PUBLICATIONS**

Copending U.S. Appl. No. 29/387,021, entitled "Beverage Bottle" and filed Mar. 8, 2011.  
Copending U.S. Appl. No. 29/387,023, entitled "Tall Beverage Bottle" and filed Mar. 8, 2011.  
Notice of Allowance in copending U.S. Appl. No. 29/387,023, mailed Nov. 29, 2011.  
Office Action in copending U.S. Appl. No. 29/387,021, mailed Jan. 5, 2012.

\* cited by examiner

*Primary Examiner* — Ian Simmons

*Assistant Examiner* — Dana L Sipos

(74) *Attorney, Agent, or Firm* — Wong, Cabello, Lutsch, Rutherford & Brucculeri, LLP

(57) **CLAIM**

The ornamental design for a beverage bottle, as shown and described.

**DESCRIPTION**

This application is filed concurrently with the U.S. Design application entitled "Tall Beverage Bottle" having Ser. No. 29/387,021 and U.S. Design application entitled "Beverage Bottle" having Ser. No. 29/387,023, which are by the same inventors and are incorporated herein by reference in their entireties.

FIG. 1 is a perspective view of a beverage bottle showing our new design.

FIG. 2 is an elevation view of a side of the beverage bottle.

FIG. 3 is an elevation view of an opposite side of the beverage bottle—each of the other side views being identical.

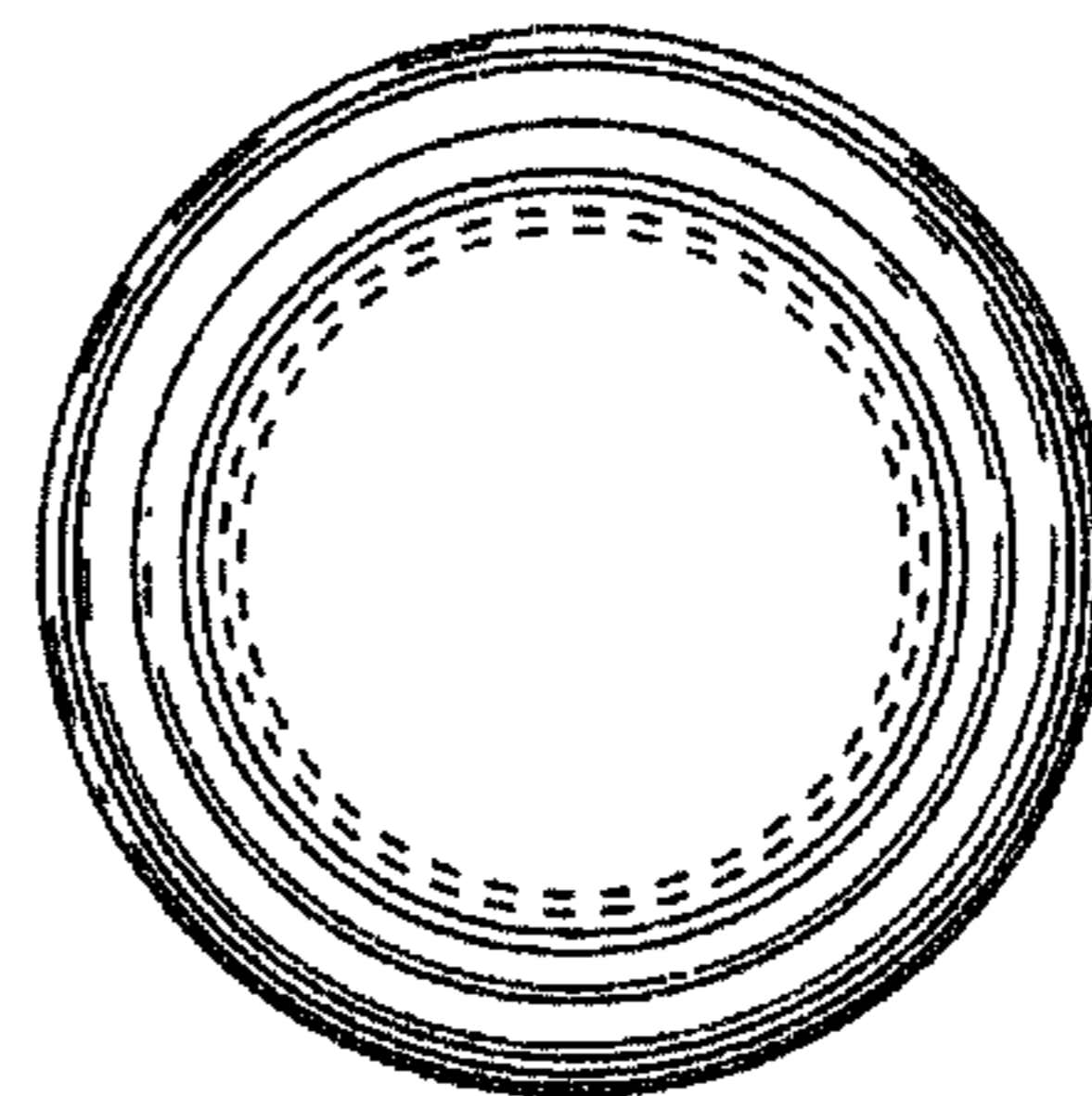
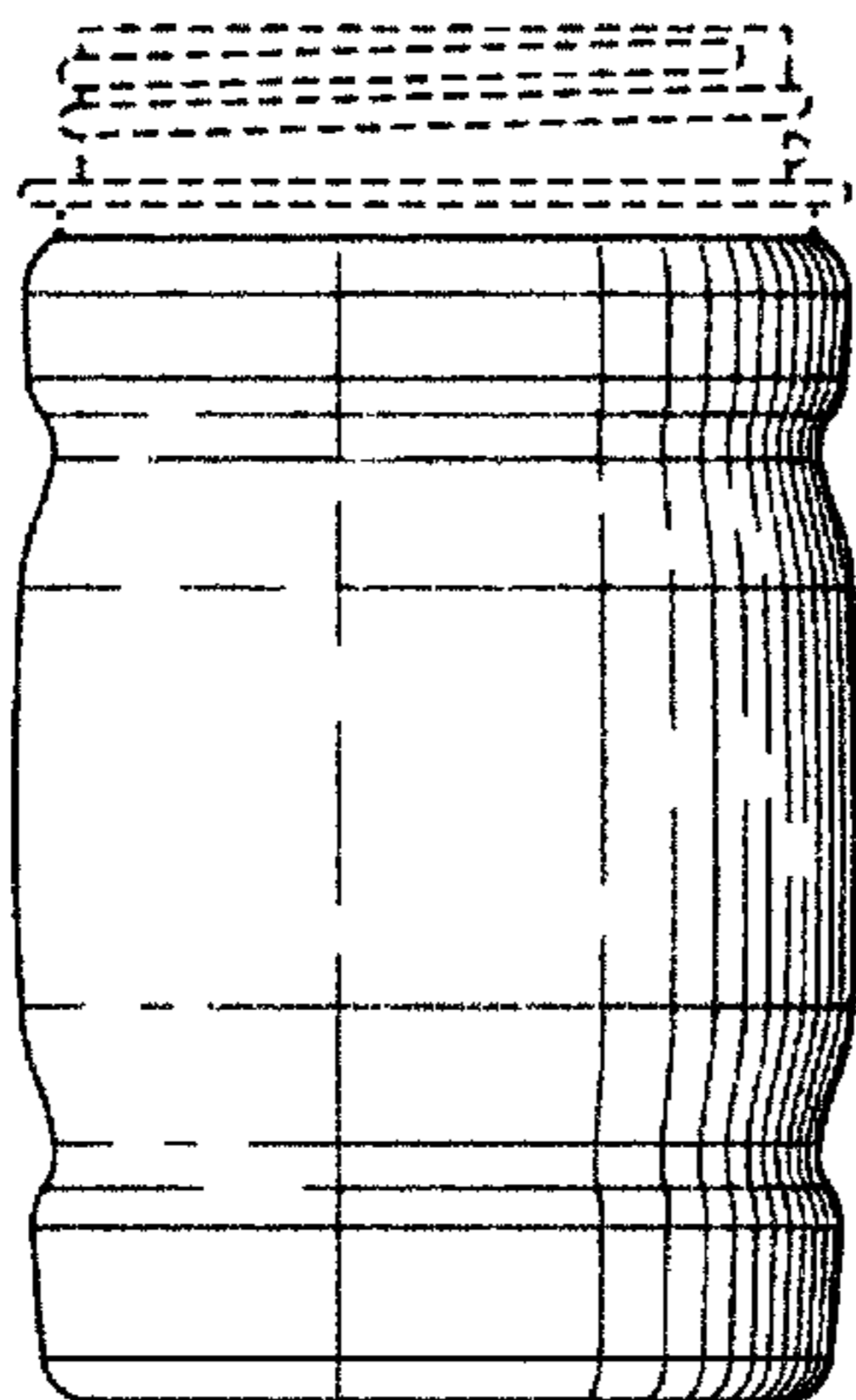
FIG. 4 is a top view thereof.

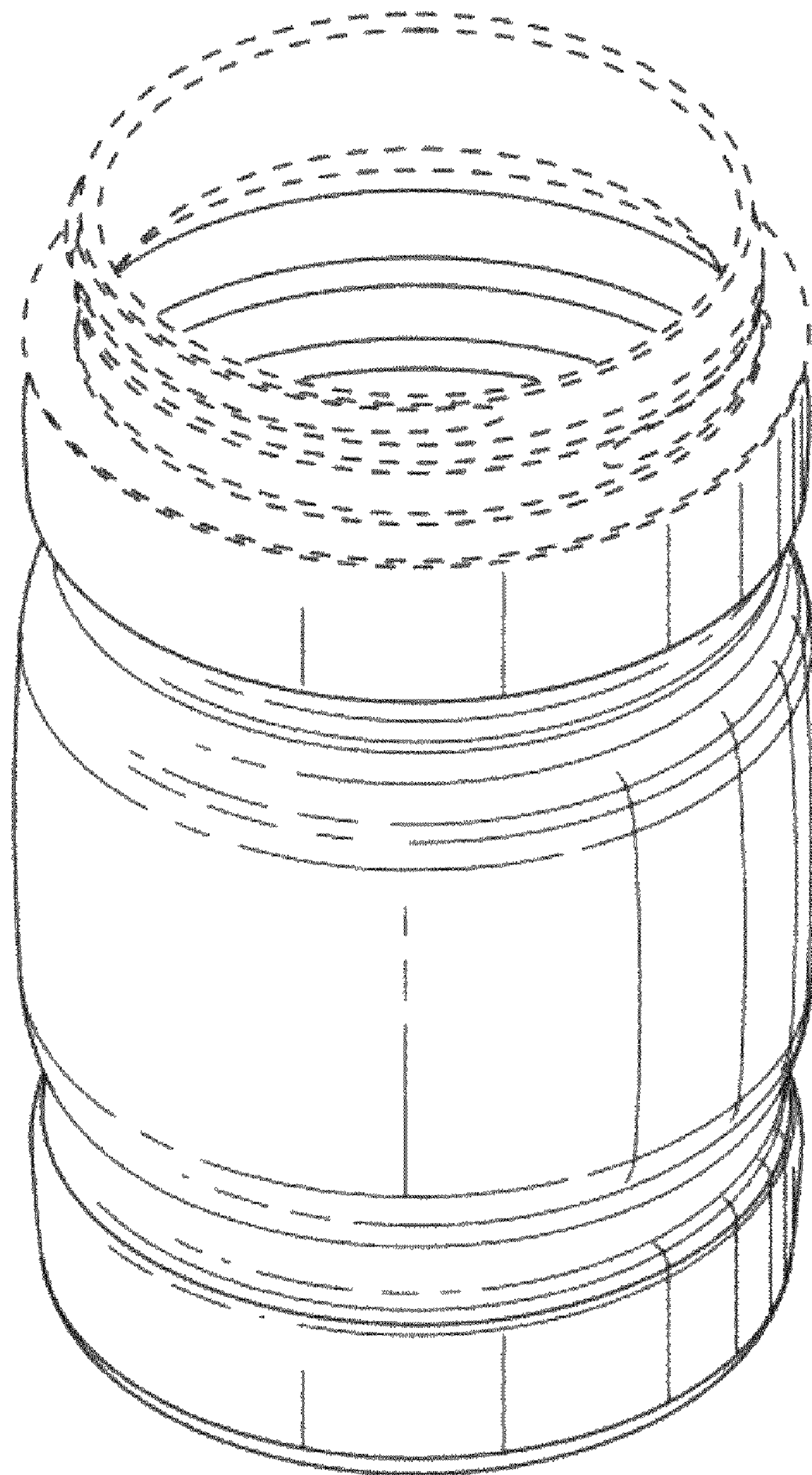
FIG. 5 is a bottom view thereof; and,

FIG. 6 is an alternative elevation view of a side of the beverage bottle, showing a lid thereon.

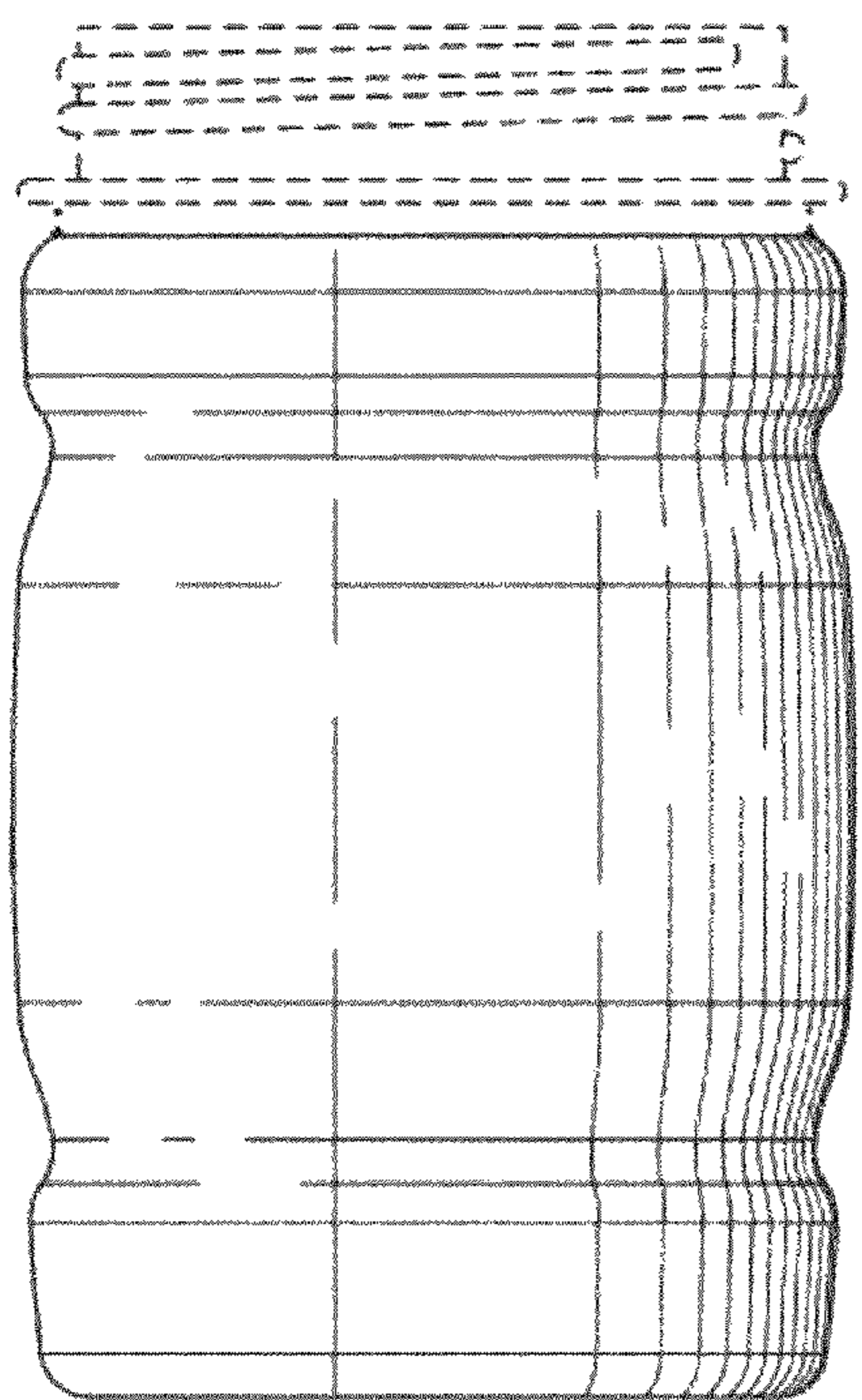
The broken lines showing the threaded rim in FIGS. 1-4 and showing the lid in FIG. 6 are for illustrative purposes only and form no part of the claimed design. The broken lines immediately adjacent to the shaded areas in FIGS. 1-6 represent unclaimed boundaries of the design.

**1 Claim, 4 Drawing Sheets**

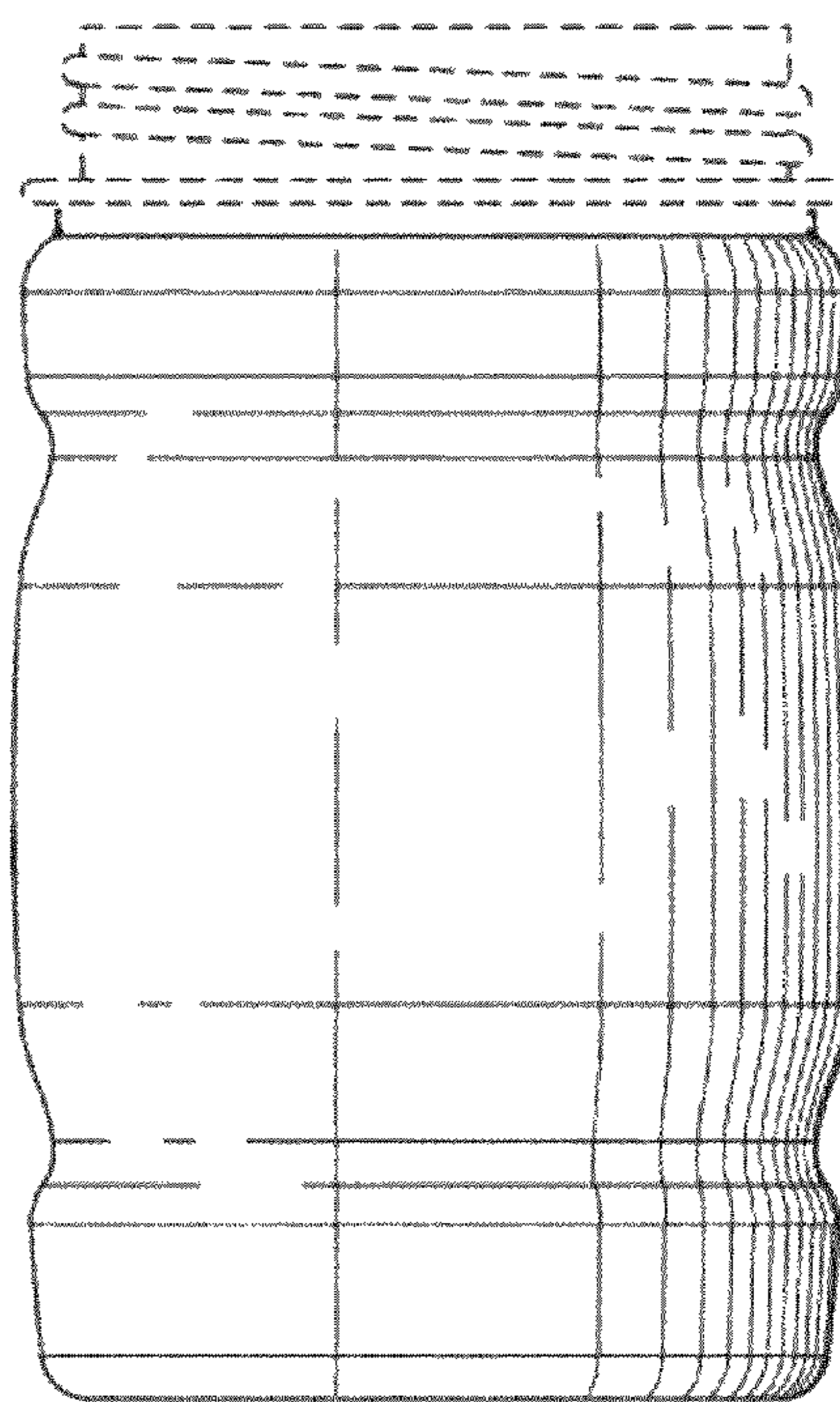




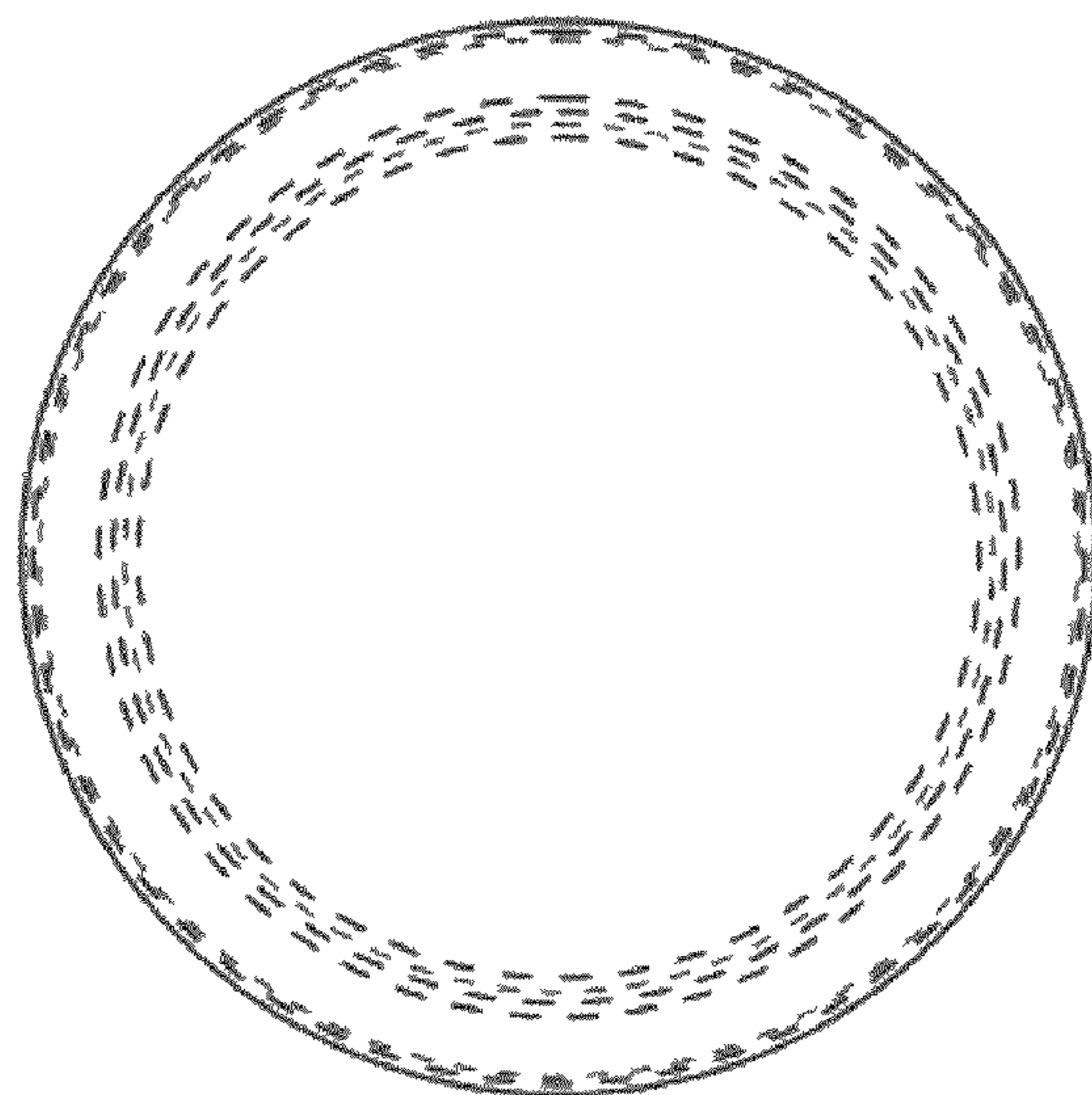
**FIG. 1**



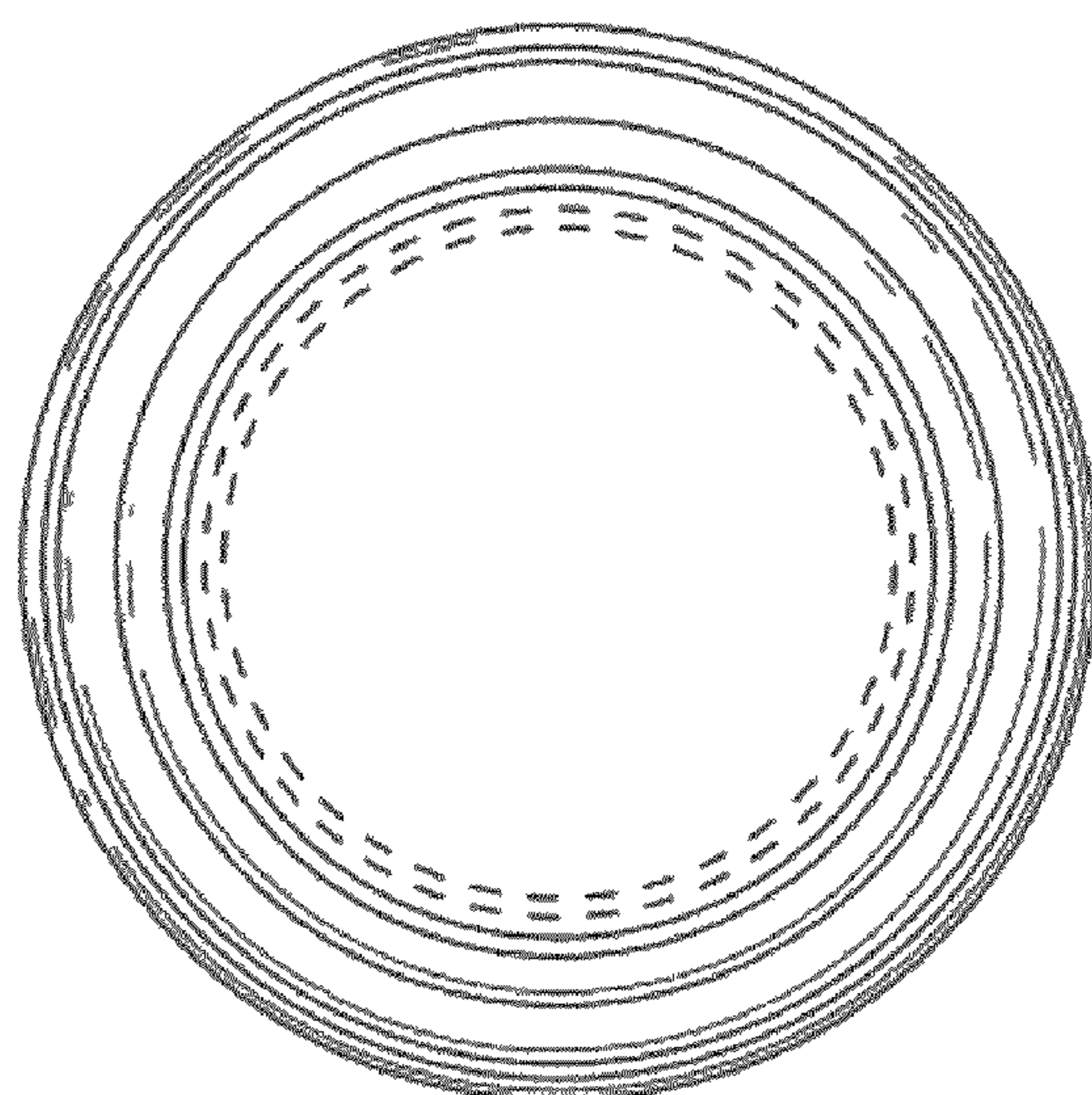
**FIG. 2**



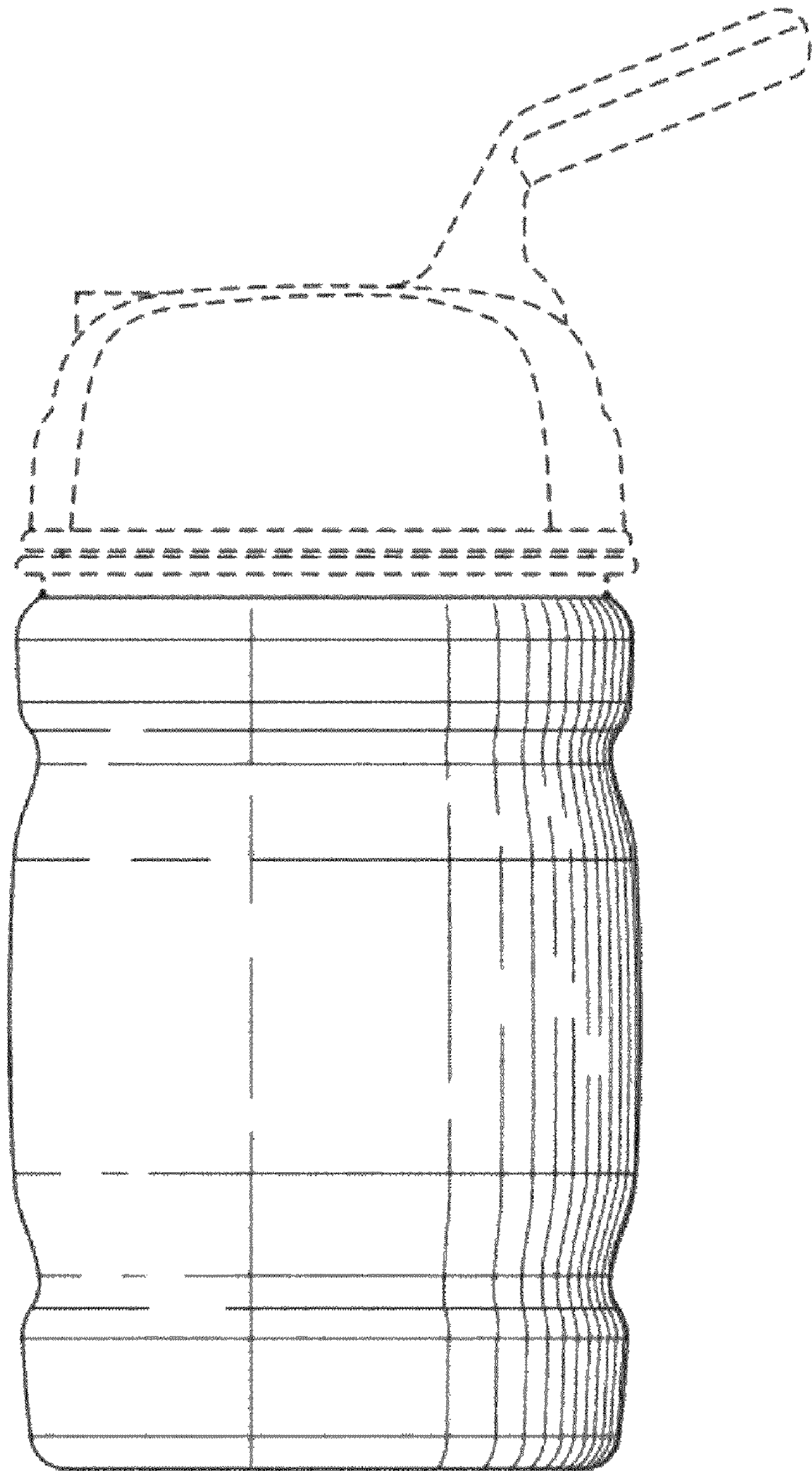
**FIG. 3**



**FIG. 4**



**FIG. 5**



**FIG. 6**