



US00D657246S

(12) **United States Design Patent**
Nemeth et al.

(10) **Patent No.:** **US D657,246 S**
(45) **Date of Patent:** **** Apr. 10, 2012**

(54) **BEVERAGE BOTTLE**

(75) Inventors: **Christopher P. Nemeth**, Atlanta, GA (US); **Gunnar B. Olson**, Smyrna, GA (US); **Brandon L. Stroud**, Smyrna, GA (US); **Leon J. Scott, III**, Atlanta, GA (US)

(73) Assignee: **Bubba Brands, Inc.**, Smyrna, GA (US)

(**) Term: **14 Years**

(21) Appl. No.: **29/387,023**

(22) Filed: **Mar. 8, 2011**

(51) **LOC (9) Cl.** **09-01**

(52) **U.S. Cl.** **D9/502; D7/509**

(58) **Field of Classification Search** D9/500,
D9/502-505, 516, 537-540, 549-550, 557-558,
D9/575, 562; D7/509-511, 624.1, 624.2,
D7/624.3; 215/379, 381-382; 220/660,
220/662, 669, 675

See application file for complete search history.

(56) **References Cited**

U.S. PATENT DOCUMENTS

D179,984 S	4/1957	Salamon	
D257,715 S *	12/1980	Pettengill	D9/529
D309,847 S *	8/1990	Scheurer	D7/606
D310,781 S	9/1990	Scott	
D440,498 S *	4/2001	Buxton et al.	D9/773
D464,264 S *	10/2002	Edson et al.	D9/502
D481,951 S	11/2003	Scott	
D490,654 S	6/2004	Allen et al.	
D492,602 S *	7/2004	Sleeman	D9/776
D499,649 S	12/2004	Olivares	
D507,458 S	7/2005	Allen et al.	
D509,754 S	9/2005	Scott et al.	
D517,923 S *	3/2006	Iturriza	D9/652
D526,827 S	8/2006	Allen et al.	
D529,749 S	10/2006	Allen et al.	
D551,895 S	10/2007	Allen et al.	
D560,874 S *	1/2008	Brans	D34/39
D603,707 S	11/2009	Lourenco et al.	

OTHER PUBLICATIONS

Copending U.S. Appl. No. 29/387,025, entitled "Stout Beverage Bottle" and filed Mar. 8, 2011.

Copending U.S. Appl. No. 29/387,021, entitled "Beverage Bottle" and filed Mar. 8, 2011.

Office Action in copending U.S. Appl. No. 29/387,021, mailed Jan. 5, 2012.

Notice of Allowance in copending U.S. Appl. No. 29/387,025, mailed Dec. 2, 2011.

* cited by examiner

Primary Examiner — Ian Simmons

Assistant Examiner — Dana L Sipos

(74) *Attorney, Agent, or Firm* — Wong, Cabello, Lutsch, Rutherford & Bruculeri, LLP

(57) **CLAIM**

The ornamental design for a beverage bottle, as shown and described.

DESCRIPTION

This applications is related to copending U.S. Design applications Ser. Nos. 29/387,021 and 29/387,025, both filed Mar. 8, 2011 by the same inventors. These applications are incorporated herein by reference.

FIG. 1 is a perspective view of a beverage bottle showing our new design.

FIG. 2 is an elevation view of a side of the beverage bottle.

FIG. 3 is an elevation view of an opposite side of the beverage bottle-each of the other side views being identical.

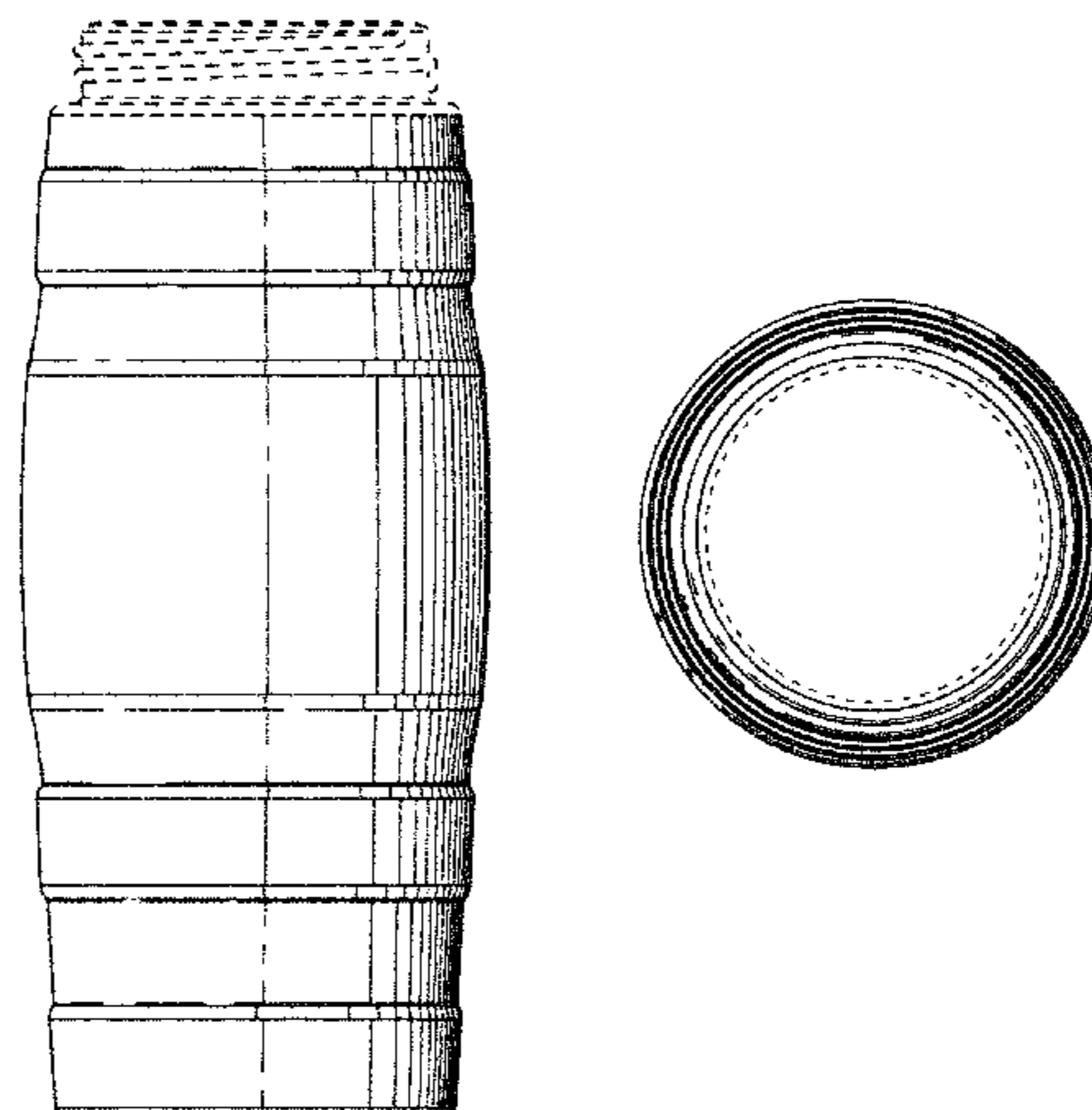
FIG. 4 is a top view thereof.

FIG. 5 is a bottom view thereof; and,

FIG. 6 is an alternative elevation view of a side of the beverage bottle, showing a lid thereon.

The broken lines showing the threaded rim in FIGS. 1-4 and showing the lid in FIG. 6 are for illustrative purposes only and form no part of the claimed design. The broken lines immediately adjacent to the shaded areas in FIGS. 1-6 represent unclaimed boundaries of the design.

1 Claim, 4 Drawing Sheets



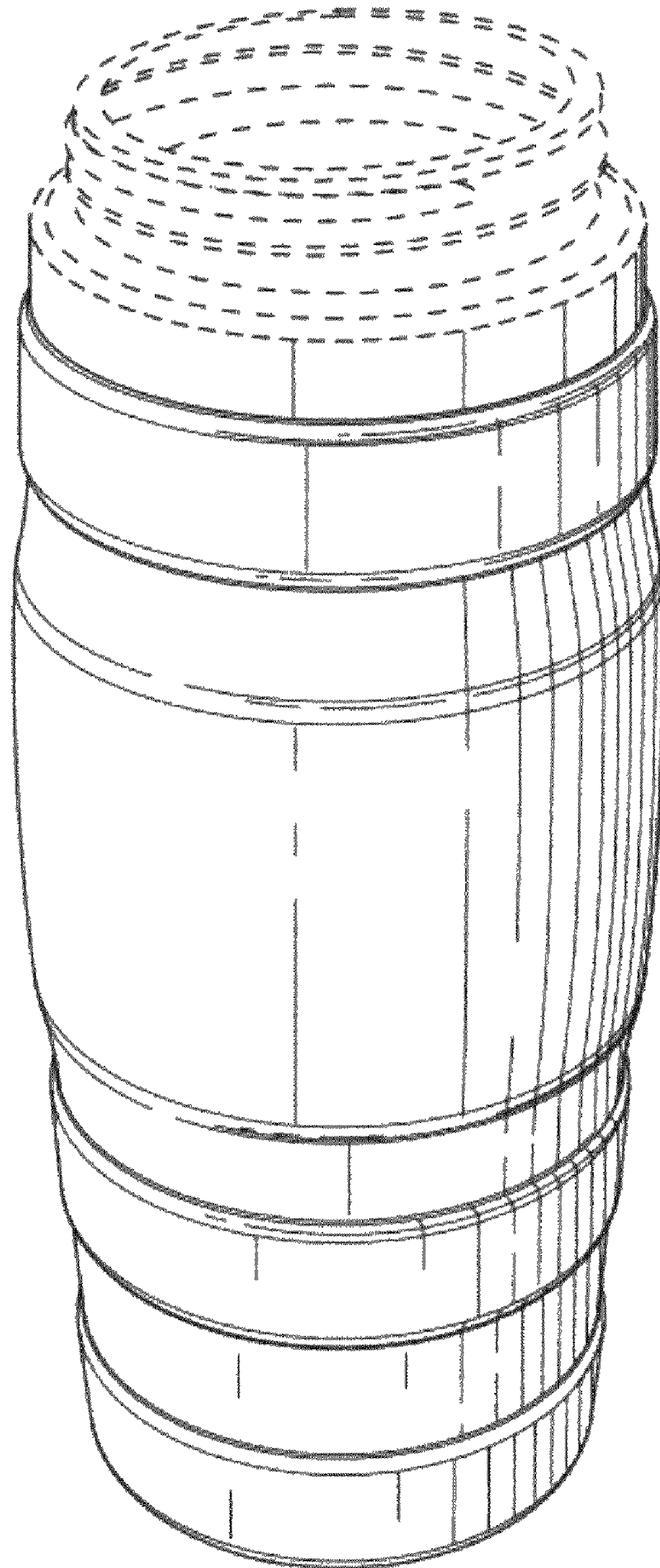


FIG. 1

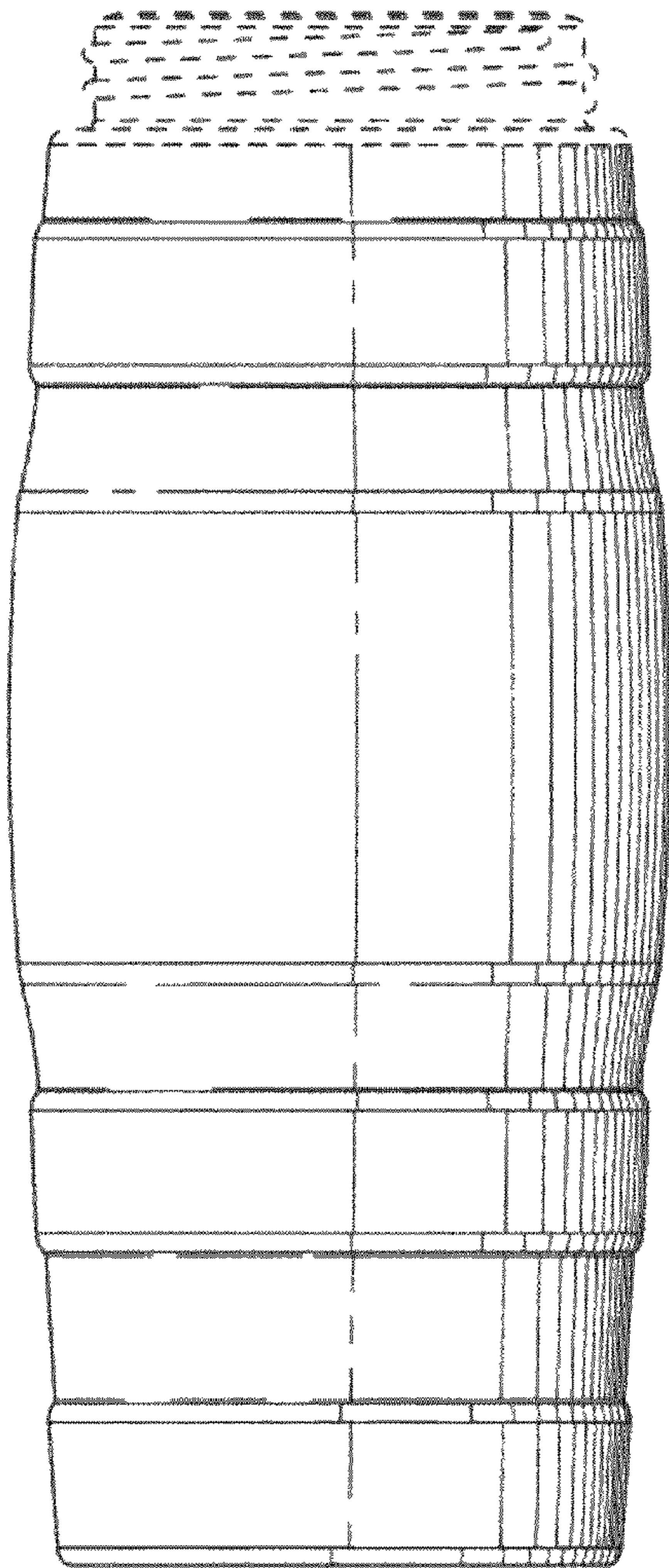


FIG. 2

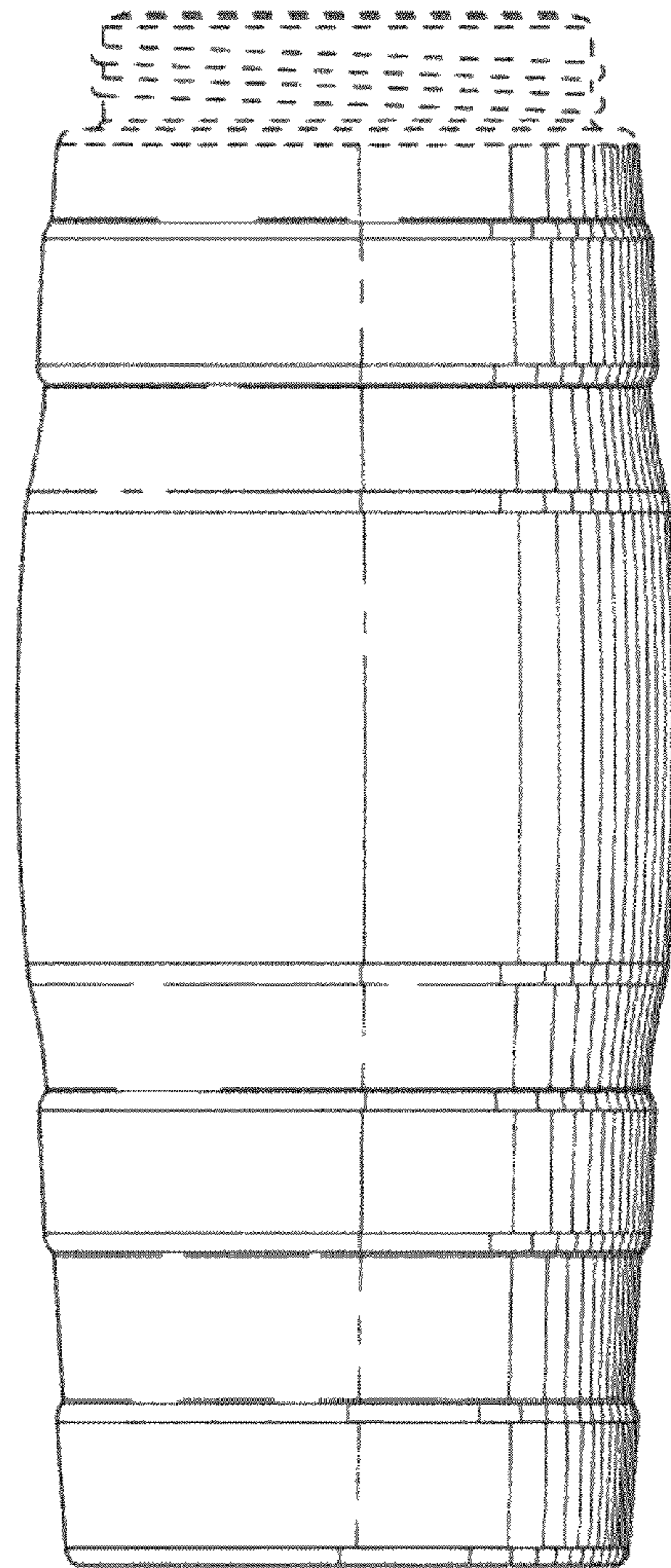


FIG. 3

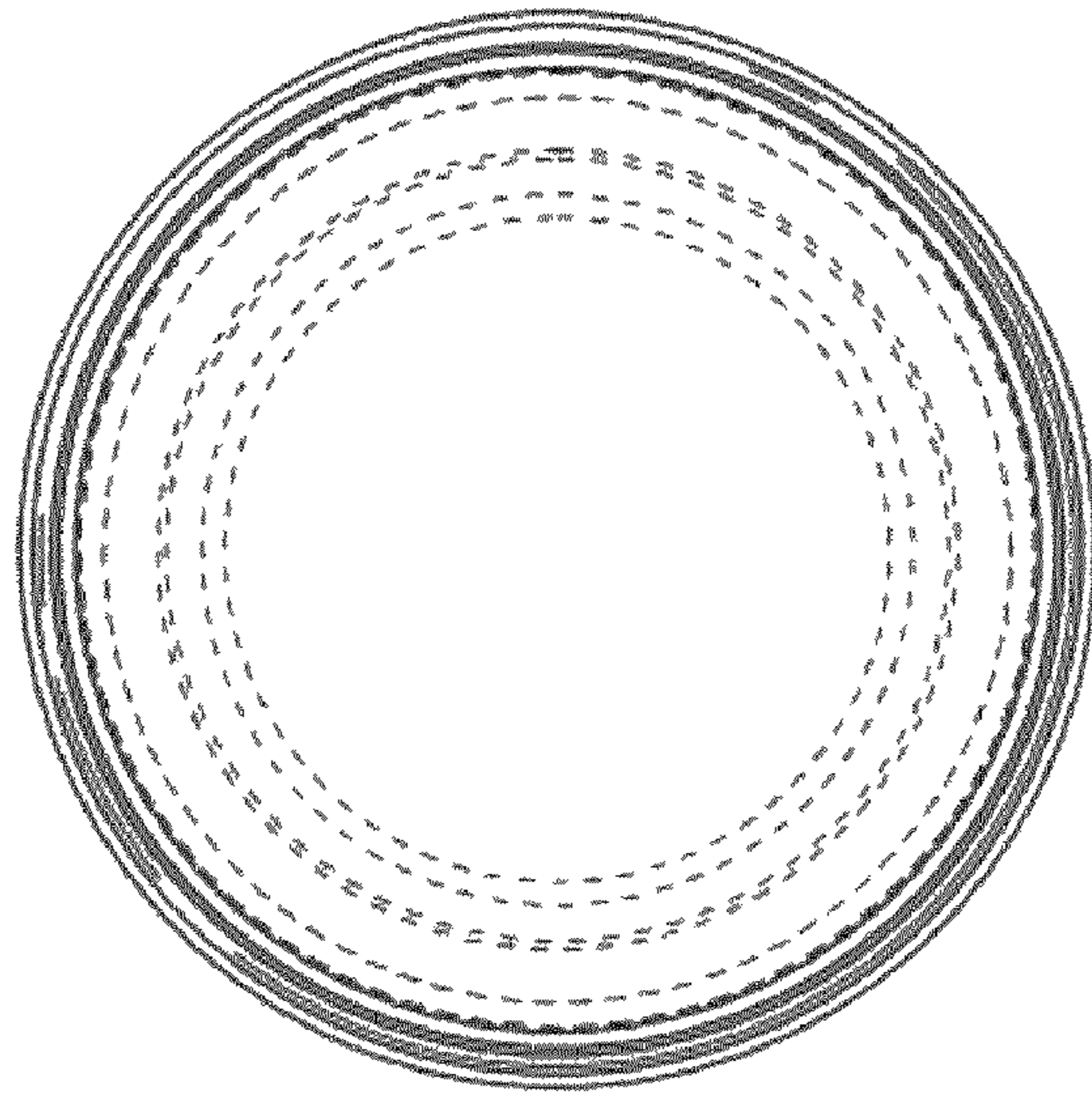


FIG. 4

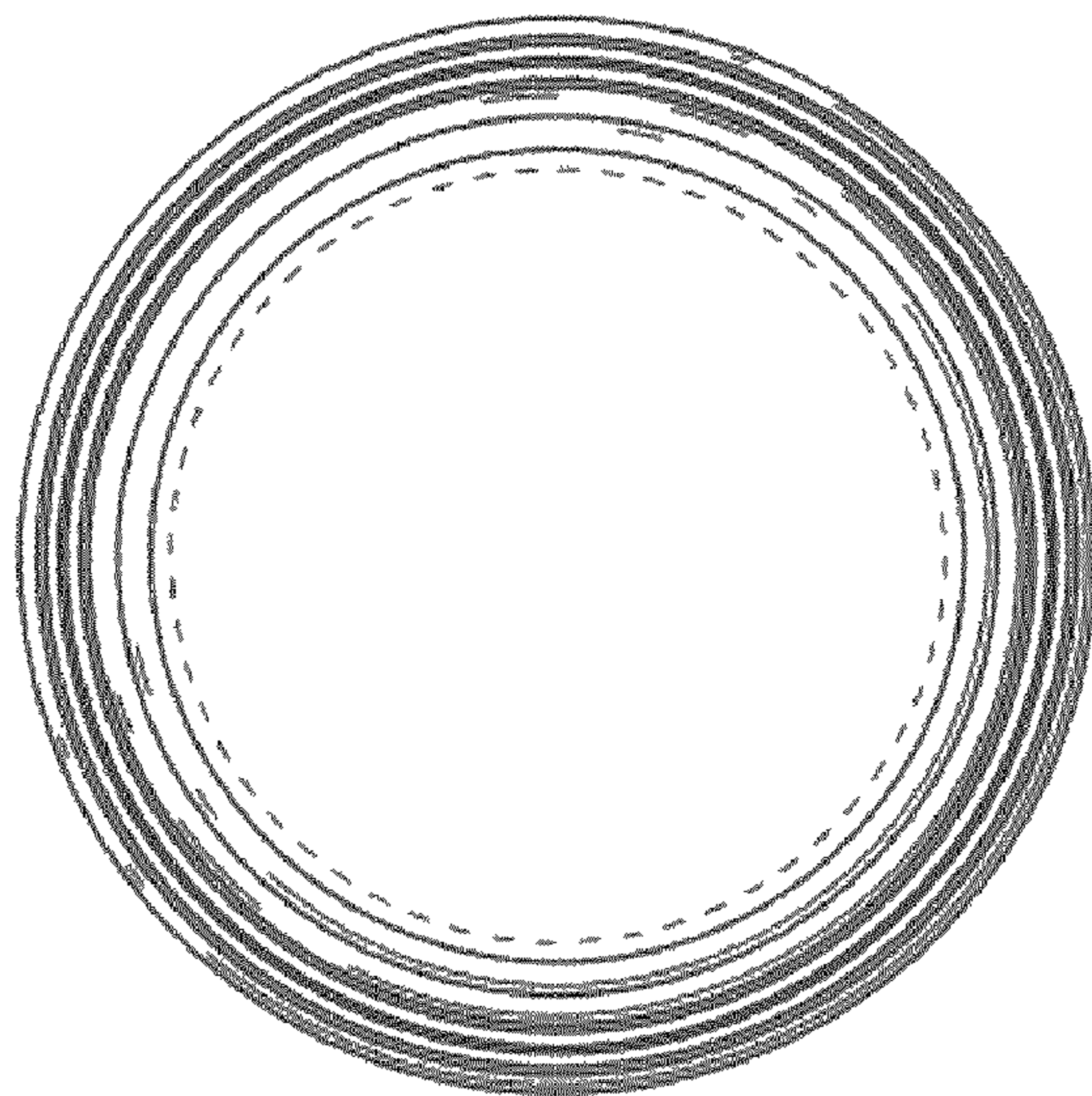


FIG. 5

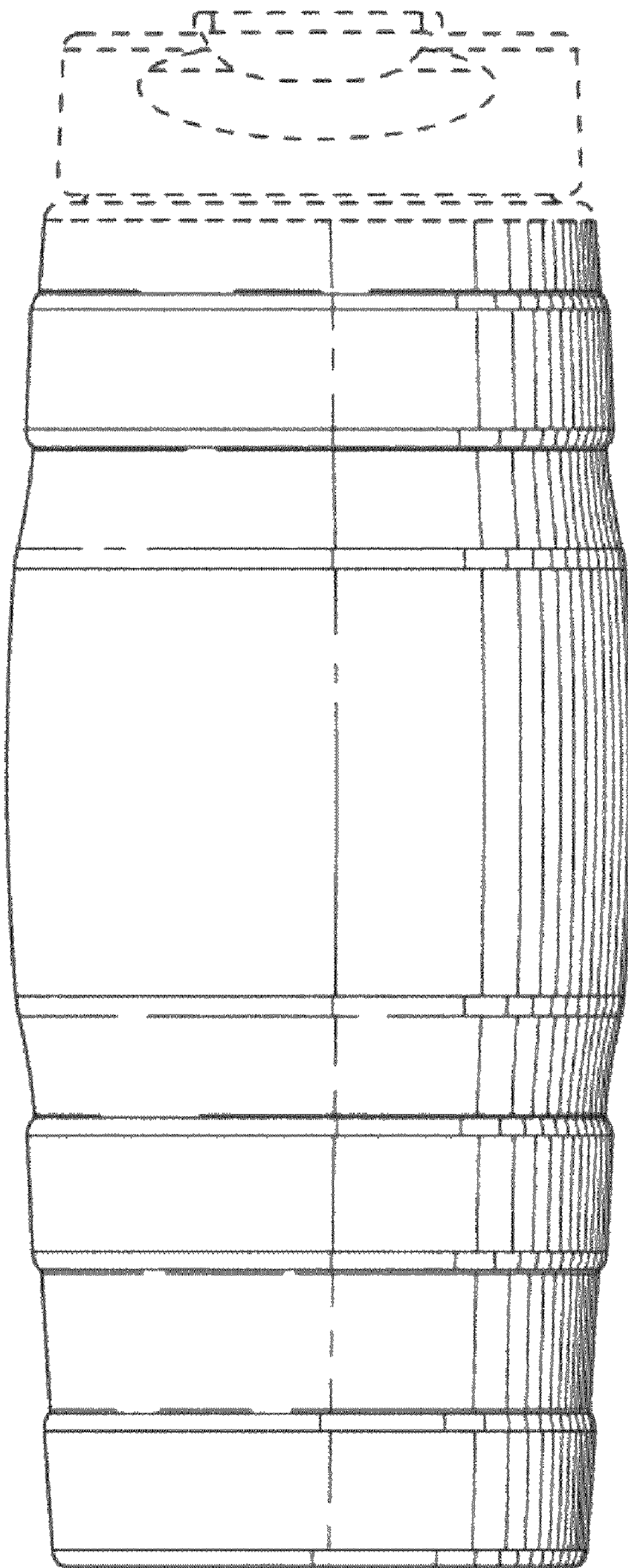


FIG. 6