



US00D657241S

(12) **United States Design Patent**  
**Nidetz**

(10) **Patent No.:** **US D657,241 S**

(45) **Date of Patent:** **\*\* Apr. 10, 2012**

(54) **PACKAGE CARRIER HANDLE**

(76) Inventor: **David B. Nidetz**, Sacramento, CA (US)

(\*\*) Term: **14 Years**

(21) Appl. No.: **29/373,087**

(22) Filed: **Feb. 25, 2011**

(51) **LOC (9) Cl.** ..... **09-07**

(52) **U.S. Cl.** ..... **D9/434; D8/301**

(58) **Field of Classification Search** ..... D8/300,  
D8/301, 306, 316, 317, 319; D9/434, 415,  
D9/414; D6/512; D3/276; D34/28, 38,  
D34/27, 35; 294/150, 153, 154, 155, 167;  
16/445, DIG. 12

See application file for complete search history.

(56) **References Cited**

**U.S. PATENT DOCUMENTS**

779,691	A *	1/1905	Comstock	.....	294/170
823,258	A *	6/1906	Burton et al.	.....	294/150
1,120,020	A *	12/1914	Bullock	.....	294/155
1,171,678	A *	2/1916	Trotter	.....	190/110
1,291,479	A *	1/1919	Goodrich	.....	24/168
1,857,598	A *	5/1932	Longaker	.....	294/164
D141,852	S *	7/1945	Stone	.....	D8/306
2,767,424	A *	10/1956	Knuepfer	.....	16/445
2,832,521	A *	4/1958	Gardner	.....	294/150
D183,000	S *	6/1958	Glaser	.....	D3/315
3,012,809	A	12/1961	Tremaine		
3,172,586	A	3/1965	Lu		
D217,335	S *	4/1970	Singer	.....	D9/434
3,562,849	A *	2/1971	Brayshaw	.....	16/445

D283,977	S *	5/1986	Kunzler	.....	D8/301
4,700,818	A *	10/1987	Orwin	.....	190/27
4,712,804	A	12/1987	Harrison, Jr.		
4,828,310	A	5/1989	Schmidt, Jr.		
5,529,362	A	6/1996	Gidos		
D441,535	S	5/2001	McCalla		
6,953,214	B2	10/2005	Paz		
D511,083	S *	11/2005	Gurzenda et al.	.....	D8/316
2008/0042460	A1	2/2008	Fuchs		

\* cited by examiner

*Primary Examiner* — Paula Greene

(74) *Attorney, Agent, or Firm* — Heisler & Associates

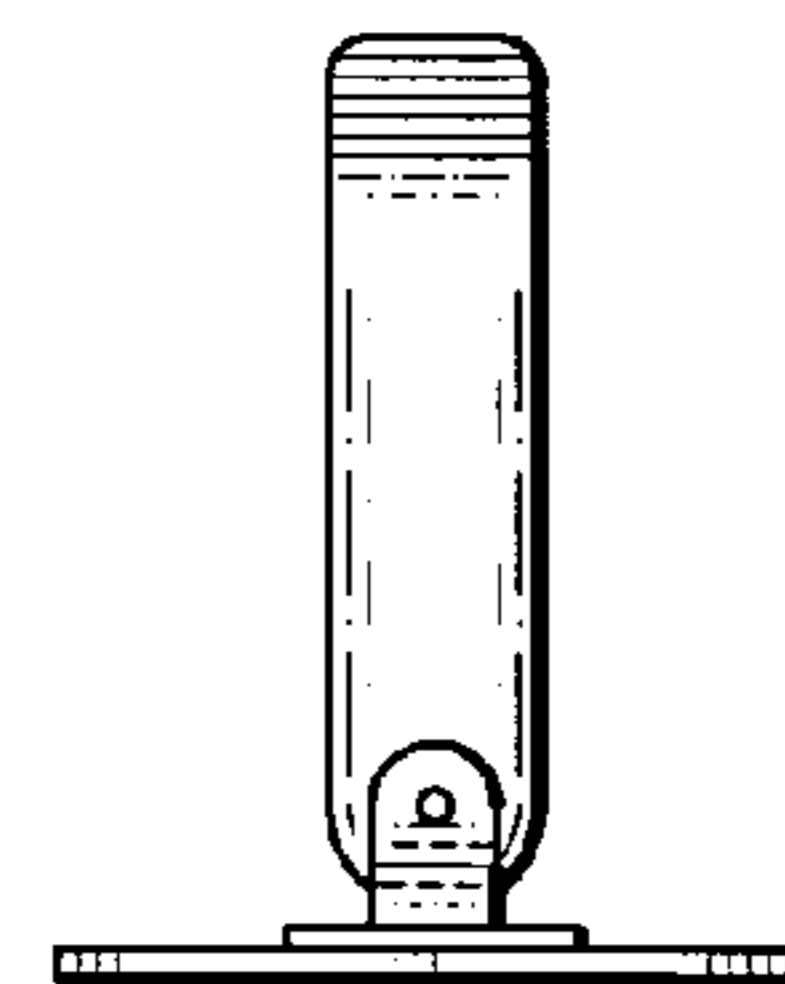
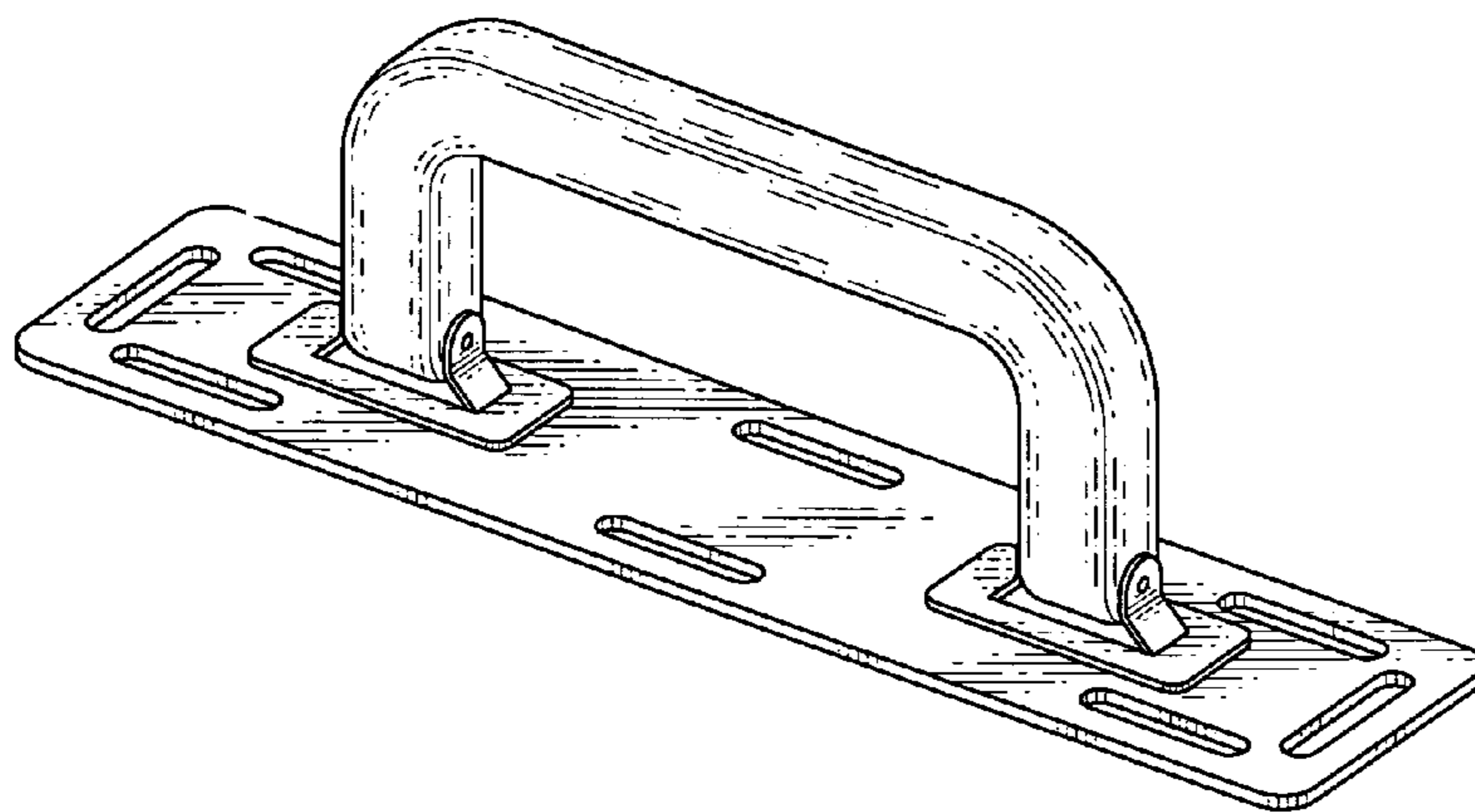
(57) **CLAIM**

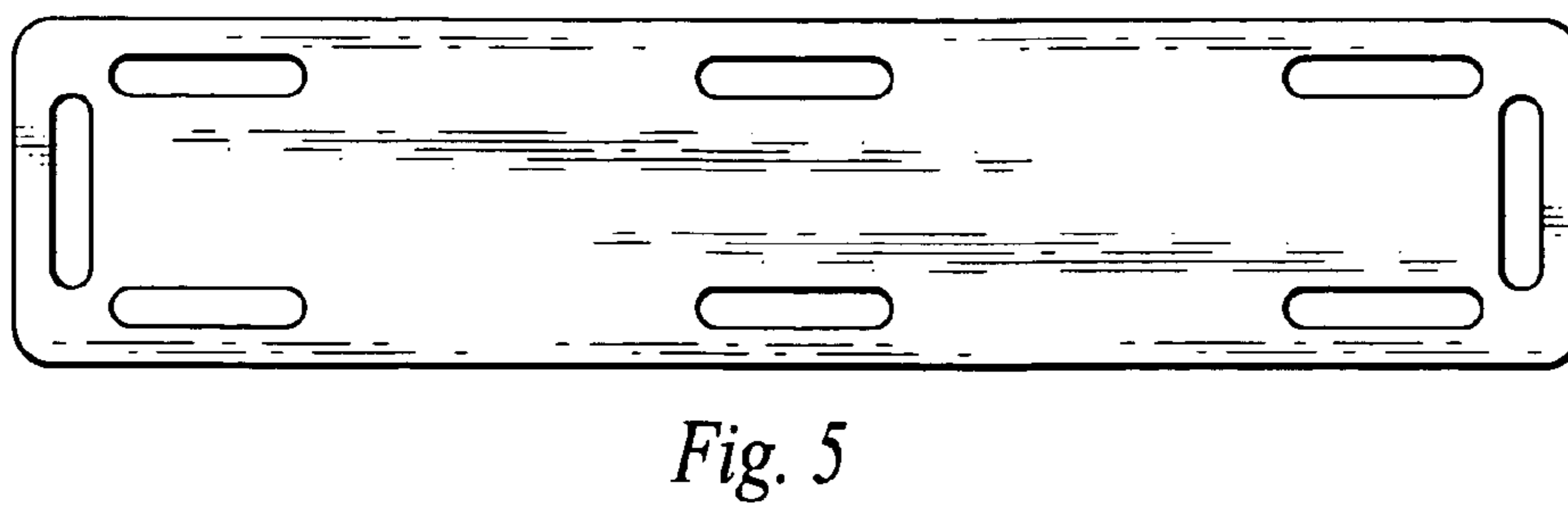
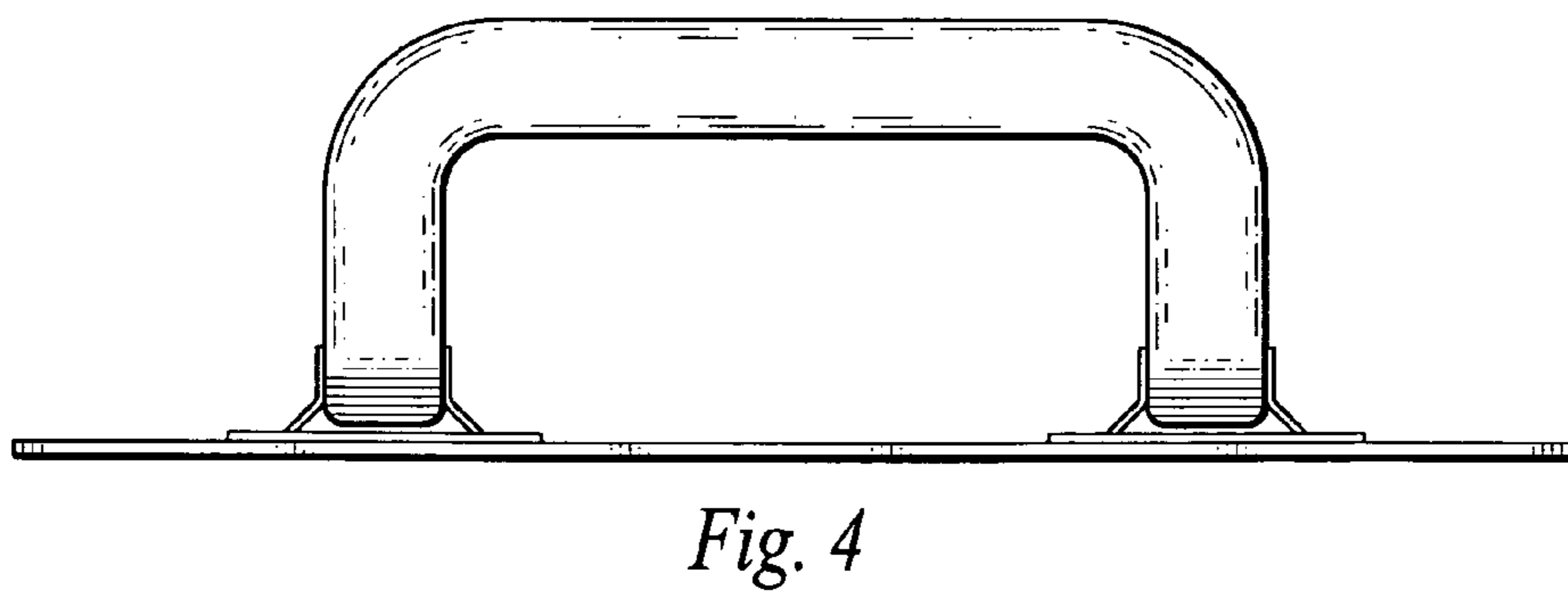
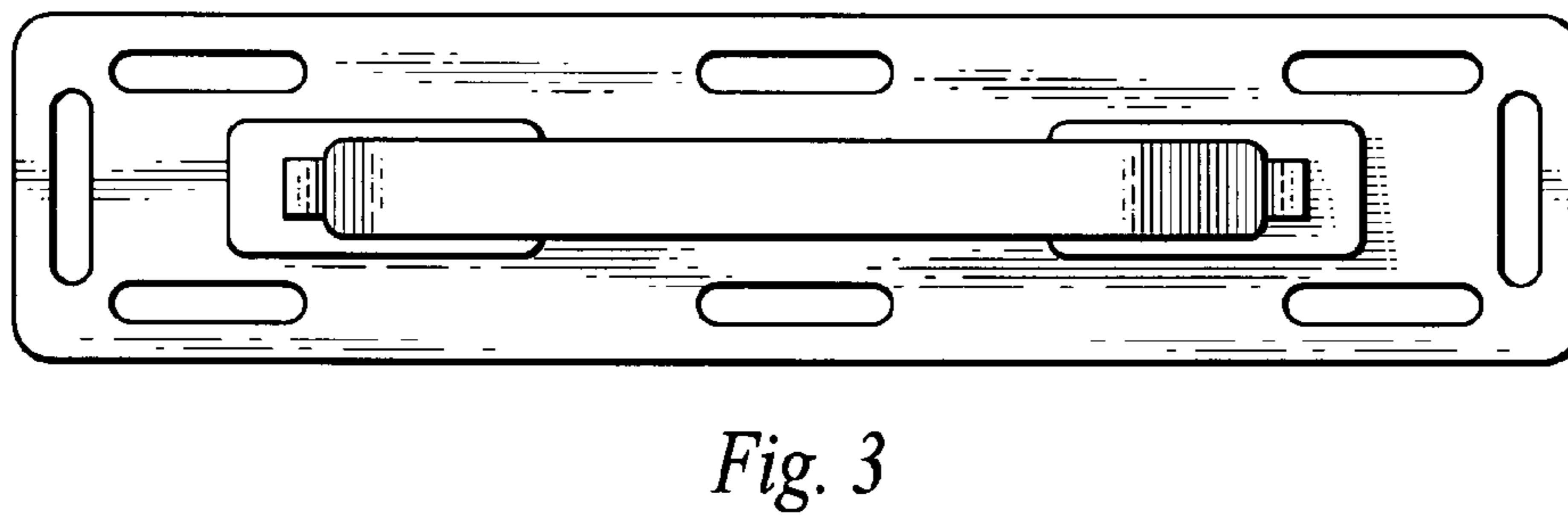
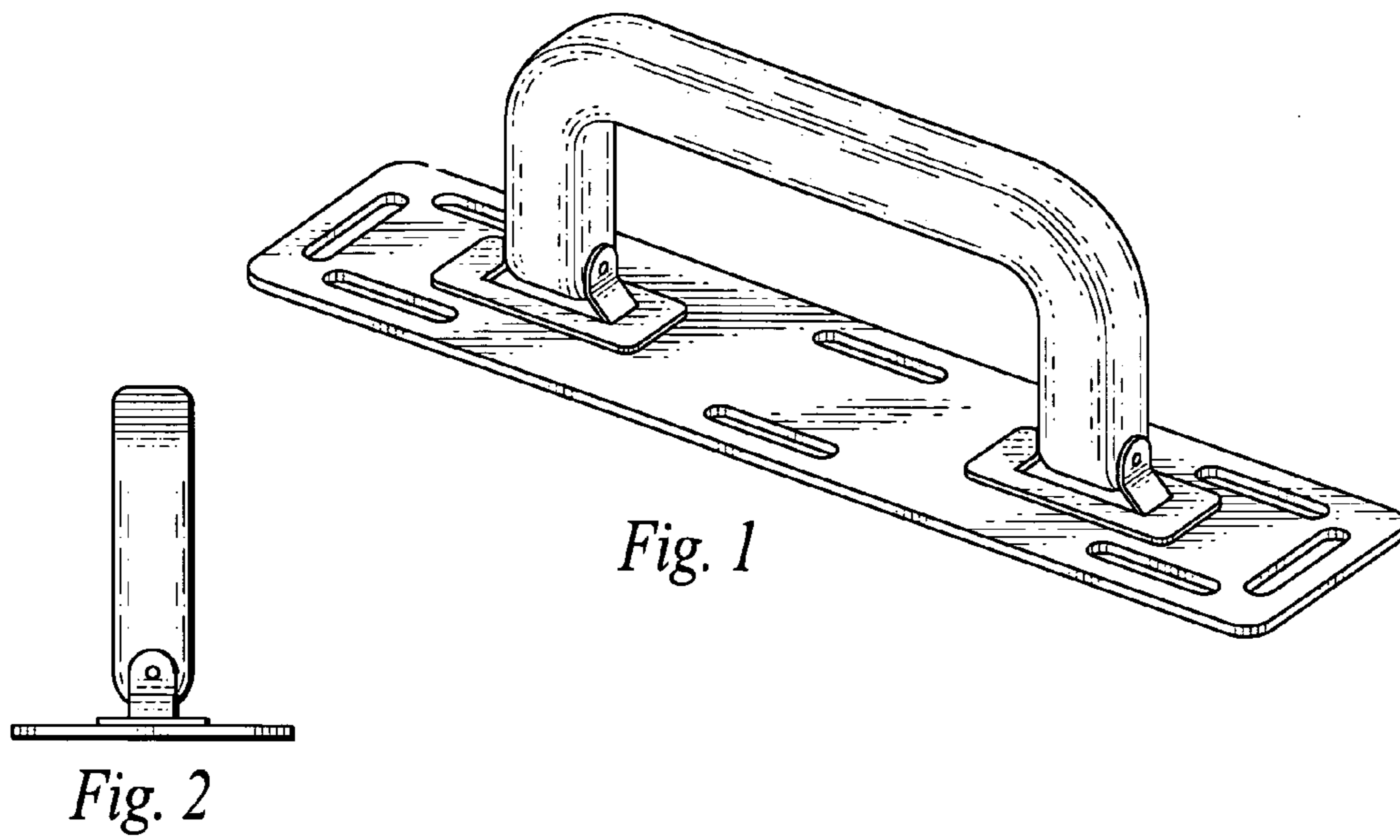
The ornamental design for a package carrier handle, as shown and described.

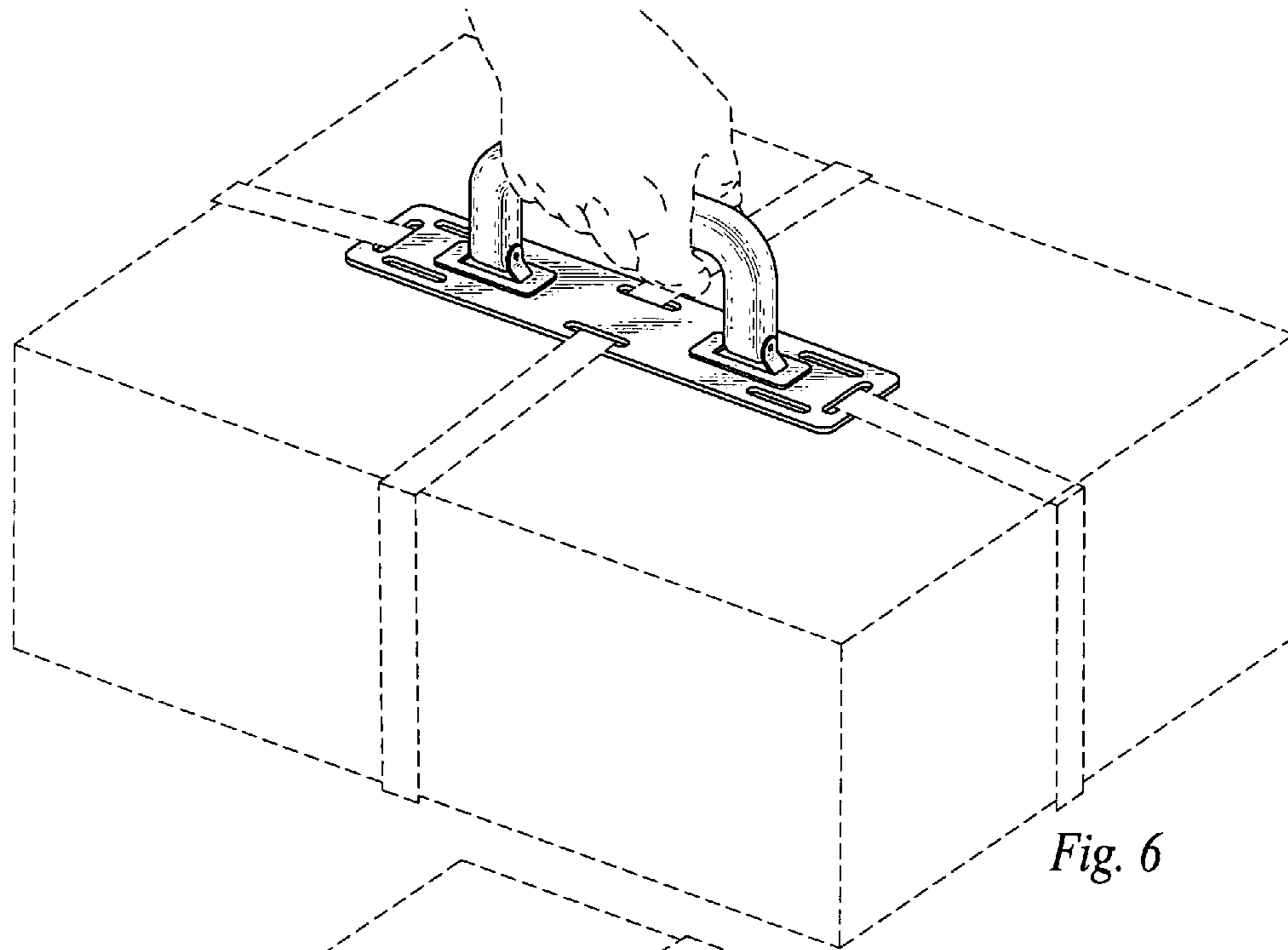
**DESCRIPTION**

FIG. 1 is a perspective view of a package carrier handle; FIG. 2 is a right side view of the invention, the left side view being a mirror image; FIG. 3 is a top plan view of the invention; FIG. 4 is a front elevation view of the invention; FIG. 5 is a bottom plan view of the invention; FIG. 6 is a perspective view of the invention in use carrying a package; and, FIG. 7 is a further perspective view of the invention in use carrying a package. The broken lines in FIGS. 6 and 7 are for purposes of illustration only and form no part of the claimed design.

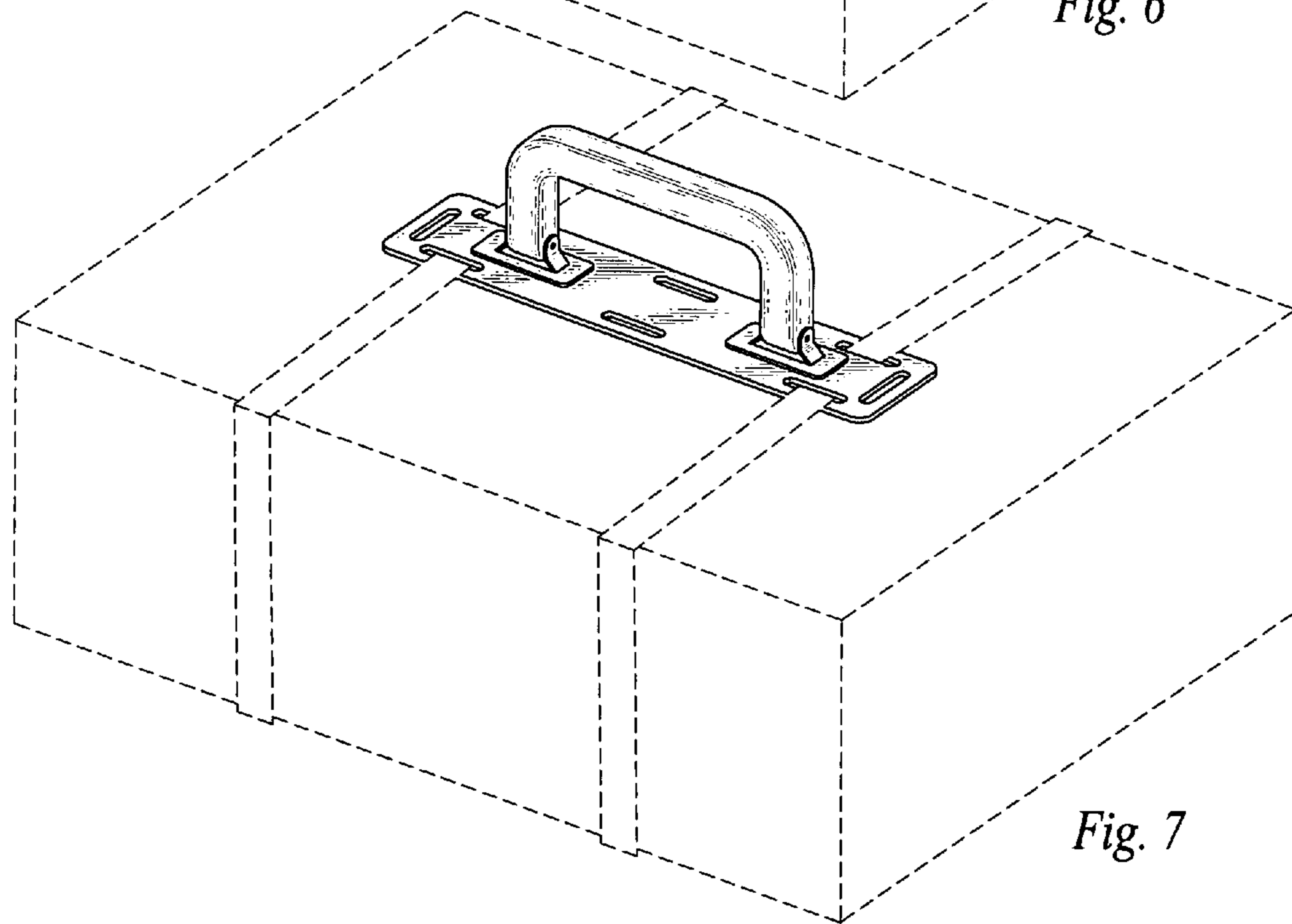
**1 Claim, 2 Drawing Sheets**







*Fig. 6*



*Fig. 7*