



US00D657240S

(12) **United States Design Patent**
England

(10) **Patent No.:** **US D657,240 S**

(45) **Date of Patent:** **** Apr. 10, 2012**

(54) **CIGARETTE PACKAGE**

(75) Inventor: **John England**, Mamaroneck, NY (US)

(73) Assignee: **British American Tobacco (Investments) Limited**, London (GB)

(**) Term: **14 Years**

(21) Appl. No.: **29/389,431**

(22) Filed: **Apr. 12, 2011**

Related U.S. Application Data

(62) Division of application No. 29/317,652, filed on May 2, 2008, now Pat. No. Des. 638,291.

(51) **LOC (9) Cl.** **09-03**

(52) **U.S. Cl.** **D9/432; D9/433**

(58) **Field of Classification Search** D9/430-433, D9/414, 418, 420-423, 434; D3/272; D11/221; D27/189; 206/100, 101, 101.3, 106, 108, 206/108.1, 116.1, 116.3, 116.5, 121, 122, 206/201, 213, 221, 222, 227, 922, 939, 942, 206/37; 229/87.08, 101.2, 193, 195, 197
See application file for complete search history.

(56) **References Cited**

U.S. PATENT DOCUMENTS

291,201 A	1/1884	Kinney
960,922 A	6/1910	Hirschwitz et al.
1,548,237 A	8/1925	Ackermann
2,030,992 A	2/1936	Keller
2,078,665 A	4/1937	Horsley
2,333,416 A	11/1943	Ducey
2,547,005 A	4/1951	Herrick et al.
2,744,624 A	5/1956	Hoogstoel et al.
2,782,977 A	2/1957	Thompson
2,798,596 A	7/1957	Emmons
3,165,249 A	1/1965	Peck

(Continued)

FOREIGN PATENT DOCUMENTS

DE 10106547 A1 8/2002

(Continued)

Primary Examiner — Karen S Acker

(74) *Attorney, Agent, or Firm* — Chadbourne & Parke LLP

(57) **CLAIM**

The ornamental design for a cigarette package, as shown and described.

DESCRIPTION

FIG. 1 is a perspective view of a first embodiment of the cigarette package showing the design of the disclosed invention;

FIG. 2 is a front view thereof;

FIG. 3 is a back view thereof;

FIG. 4 is a side view thereof;

FIG. 5 is a side view thereof;

FIG. 6 is a top view thereof;

FIG. 7 is a bottom view thereof;

FIG. 8 shows a blank of the first embodiment of the cigarette package shown in FIGS. 1-7;

FIG. 9 is a perspective view of a second embodiment of the cigarette package showing the design of the disclosed invention;

FIG. 10 is a front view thereof;

FIG. 11 is a back view thereof;

FIG. 12 is a side view thereof;

FIG. 13 is a side view thereof;

FIG. 14 is a top view thereof;

FIG. 15 is a bottom view thereof;

FIG. 16 shows a blank of the second embodiment of the cigarette package shown in FIGS. 9-15;

FIG. 17 is a perspective view of a third embodiment of the cigarette package showing the design of the disclosed invention;

FIG. 18 is a front view thereof;

FIG. 19 is a back view thereof;

FIG. 20 is a side view thereof;

FIG. 21 is a side view thereof;

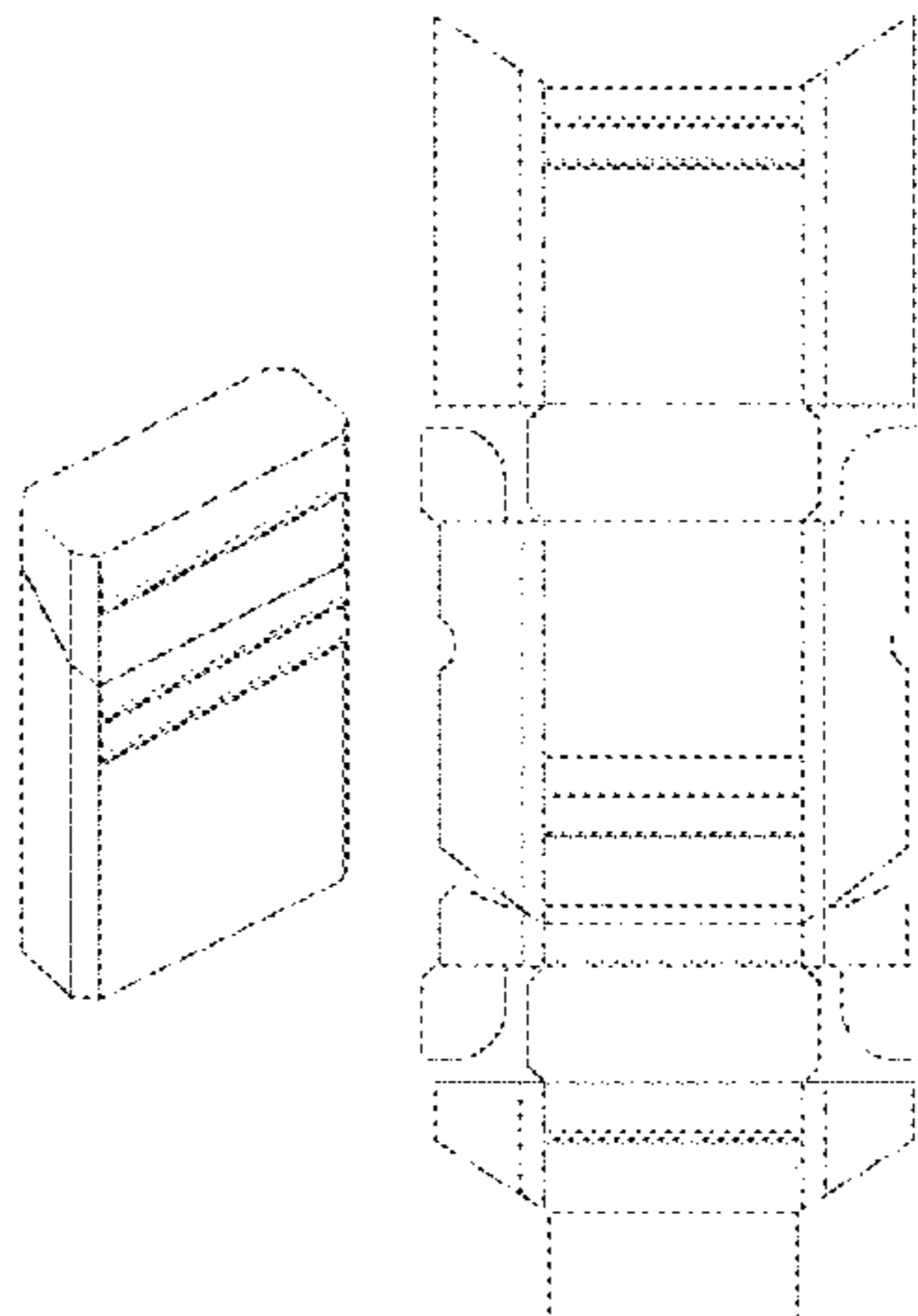
FIG. 22 is a top view thereof;

FIG. 23 is a bottom view thereof; and,

FIG. 24 shows a blank of the third embodiment of the cigarette package shown in FIGS. 17-23.

The broken lines represent environmental subject matter that forms no part of the claimed design.

1 Claim, 24 Drawing Sheets



US D657,240 S

Page 2

U.S. PATENT DOCUMENTS

3,203,617 A 8/1965 Paige
3,732,663 A 5/1973 Geldmacher
5,207,322 A 5/1993 Focke et al.
5,277,315 A 1/1994 Plein
5,366,077 A 11/1994 Pham
5,478,011 A 12/1995 Pham
5,487,468 A 1/1996 Sheahan
5,904,244 A 5/1999 Focke et al.
5,924,627 A 7/1999 Wilder et al.
5,964,345 A 10/1999 Gamberini
6,276,600 B1 8/2001 Rigby
6,302,322 B1 10/2001 Focke et al.
6,343,691 B1* 2/2002 Focke et al. 206/268
6,592,023 B2 7/2003 Li Vigni et al.
6,941,728 B1 9/2005 Bray et al.
6,974,027 B2 12/2005 Boriani et al.
7,044,294 B2 5/2006 Lutzig
7,455,176 B2 11/2008 Focke et al.
7,506,755 B2 3/2009 Buse et al.
7,562,772 B2 7/2009 Lutzig

D613,903 S * 4/2010 Wu et al. D27/189
D636,931 S * 4/2011 de The et al. D27/189
D636,932 S * 4/2011 de The et al. D27/189
2002/0070220 A1 6/2002 Kuehn et al.
2005/0000128 A1 1/2005 Chen
2005/0121340 A1 6/2005 Spatafora
2006/0000882 A1 1/2006 Darzinkas
2006/0191986 A1 8/2006 Focke et al.
2009/0272660 A1 11/2009 England
2010/0059395 A1 3/2010 England
2011/0192737 A1* 8/2011 Ancona et al. 206/256
2011/0240494 A1* 10/2011 Vecchi 206/273

FOREIGN PATENT DOCUMENTS

DE 10106548 A1 8/2002
DE 10106549 A1 8/2002
WO WO02064450 A1 8/2002
WO WO02064451 A1 8/2002
WO WO02064452 A1 8/2002
WO WO2004080844 A1 9/2004

* cited by examiner

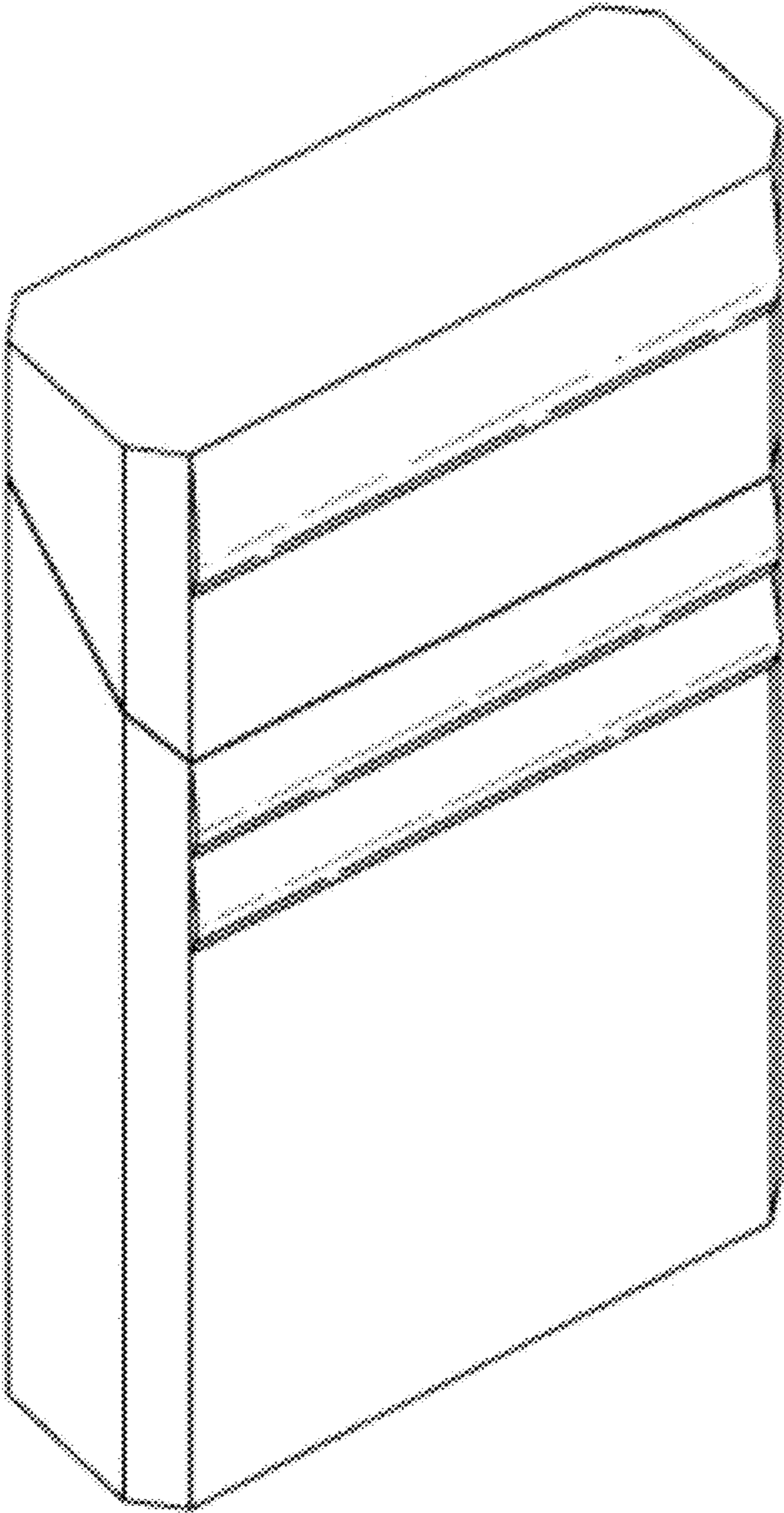


FIGURE 1

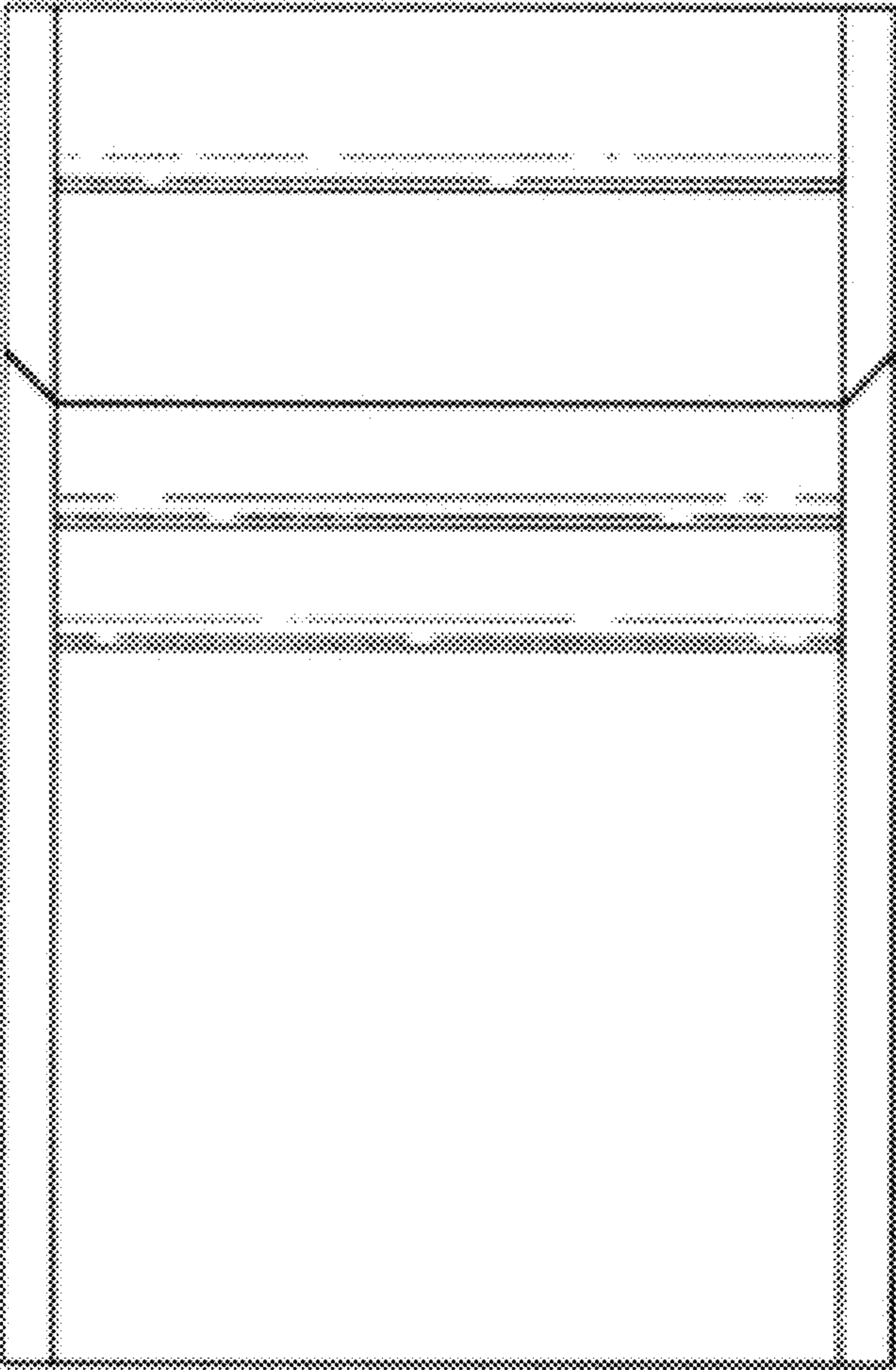


FIGURE 2

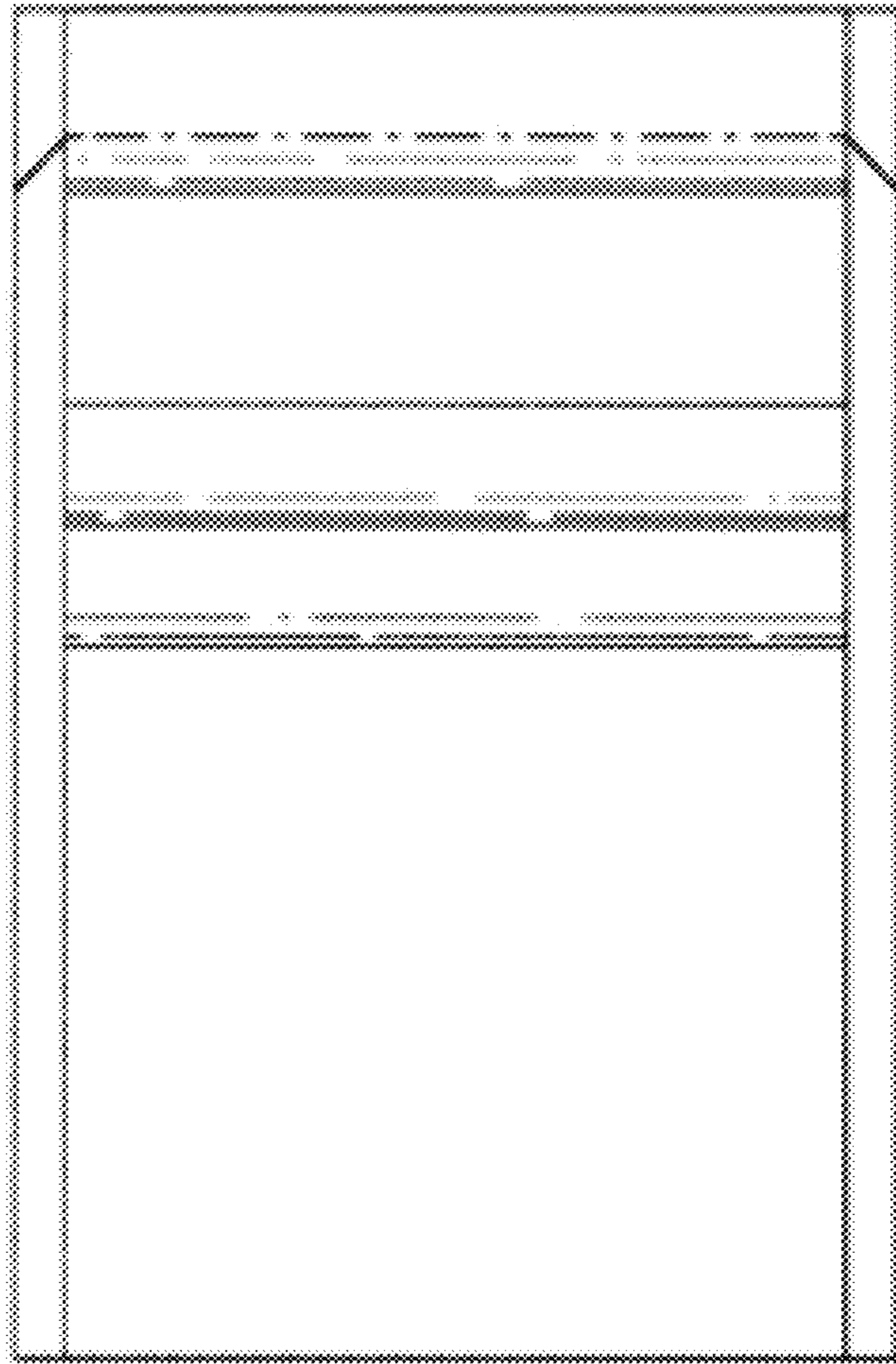


FIGURE 3

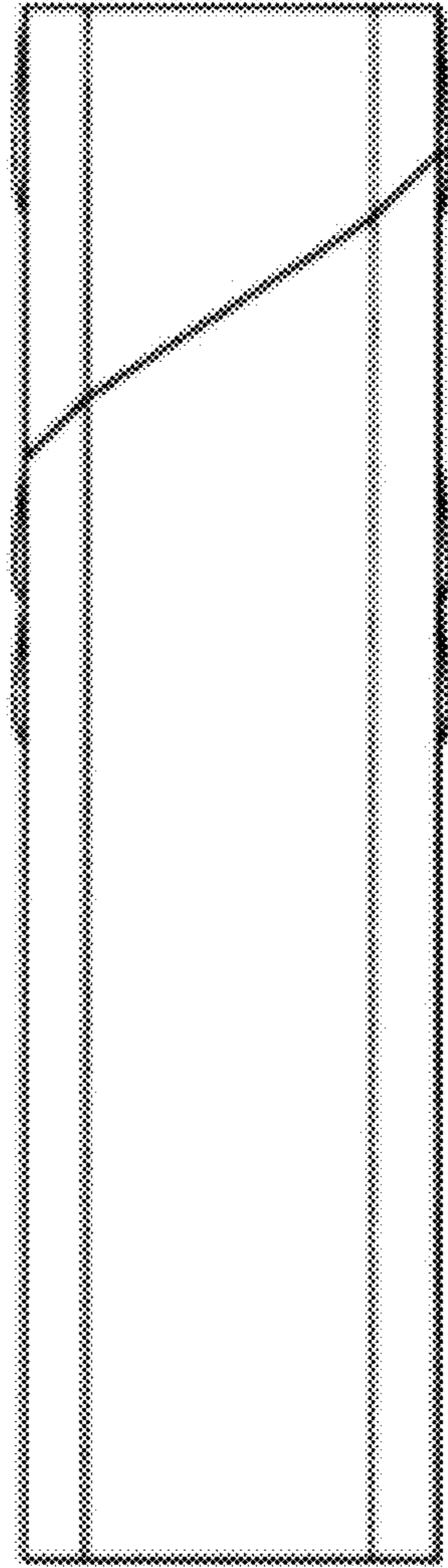


FIGURE 4

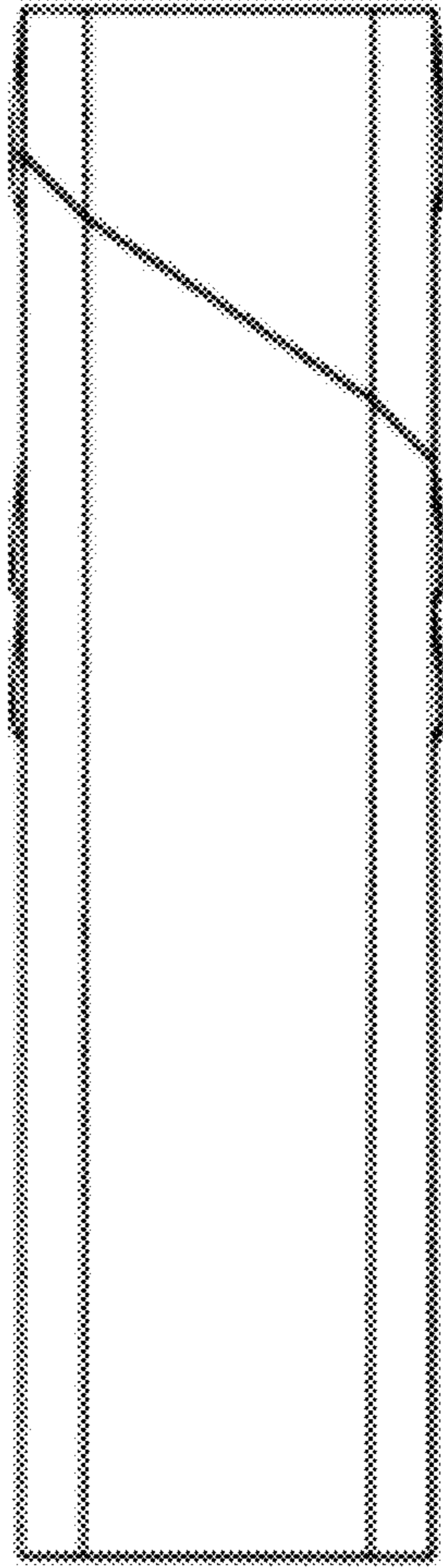


FIGURE 5



FIGURE 6



FIGURE 7

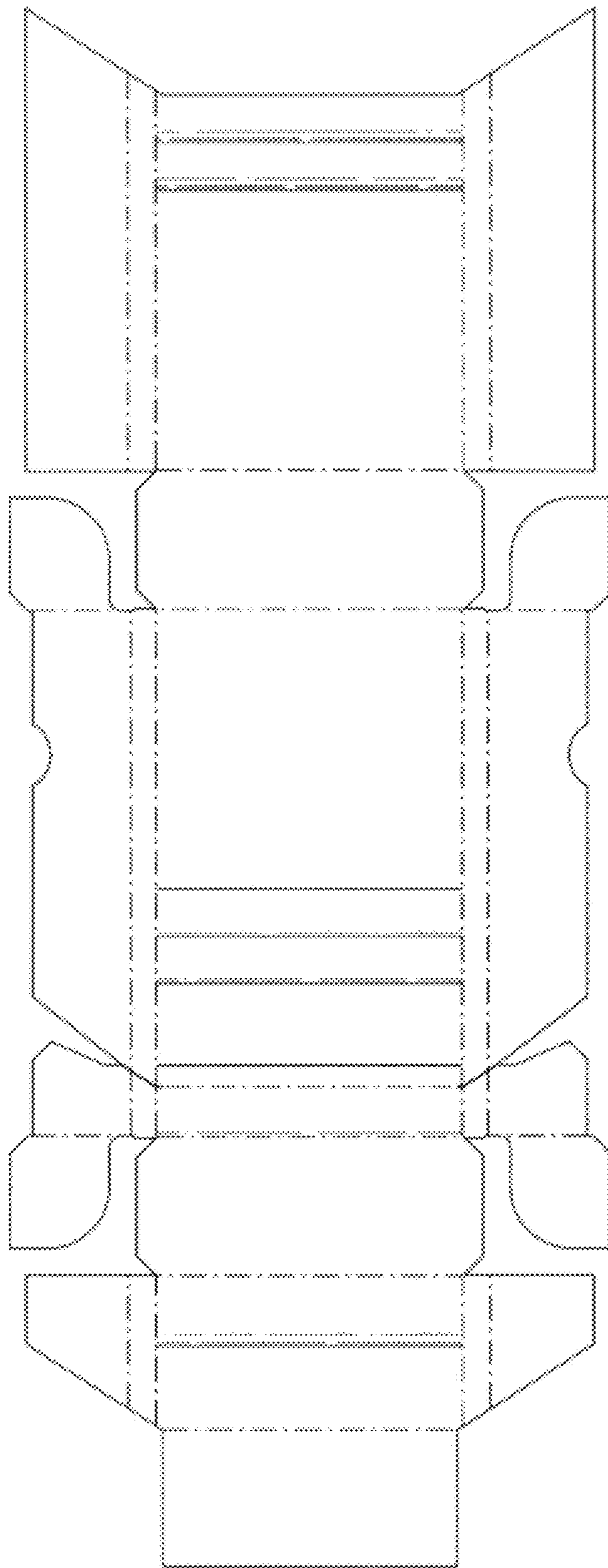


FIGURE 8

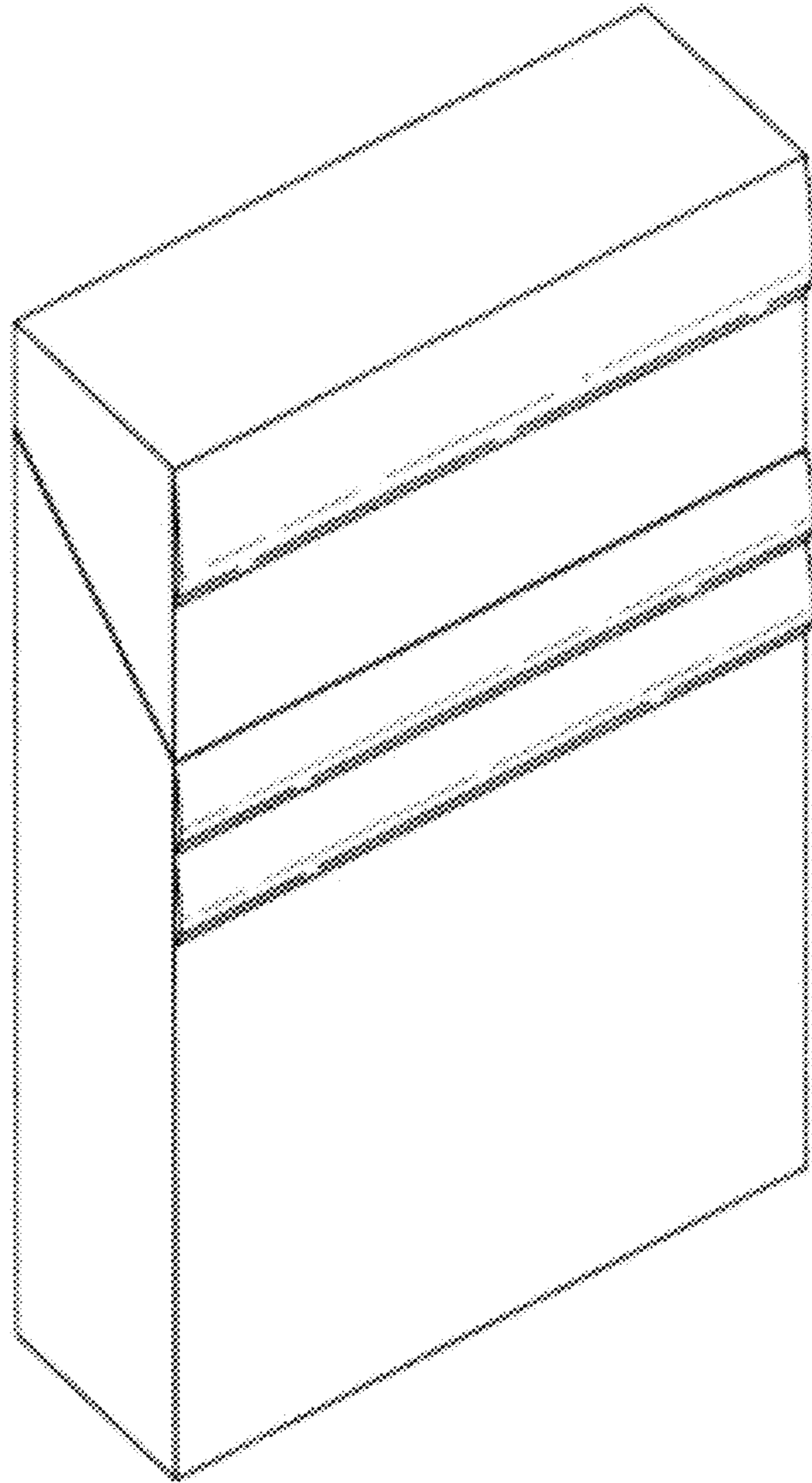


FIGURE 9

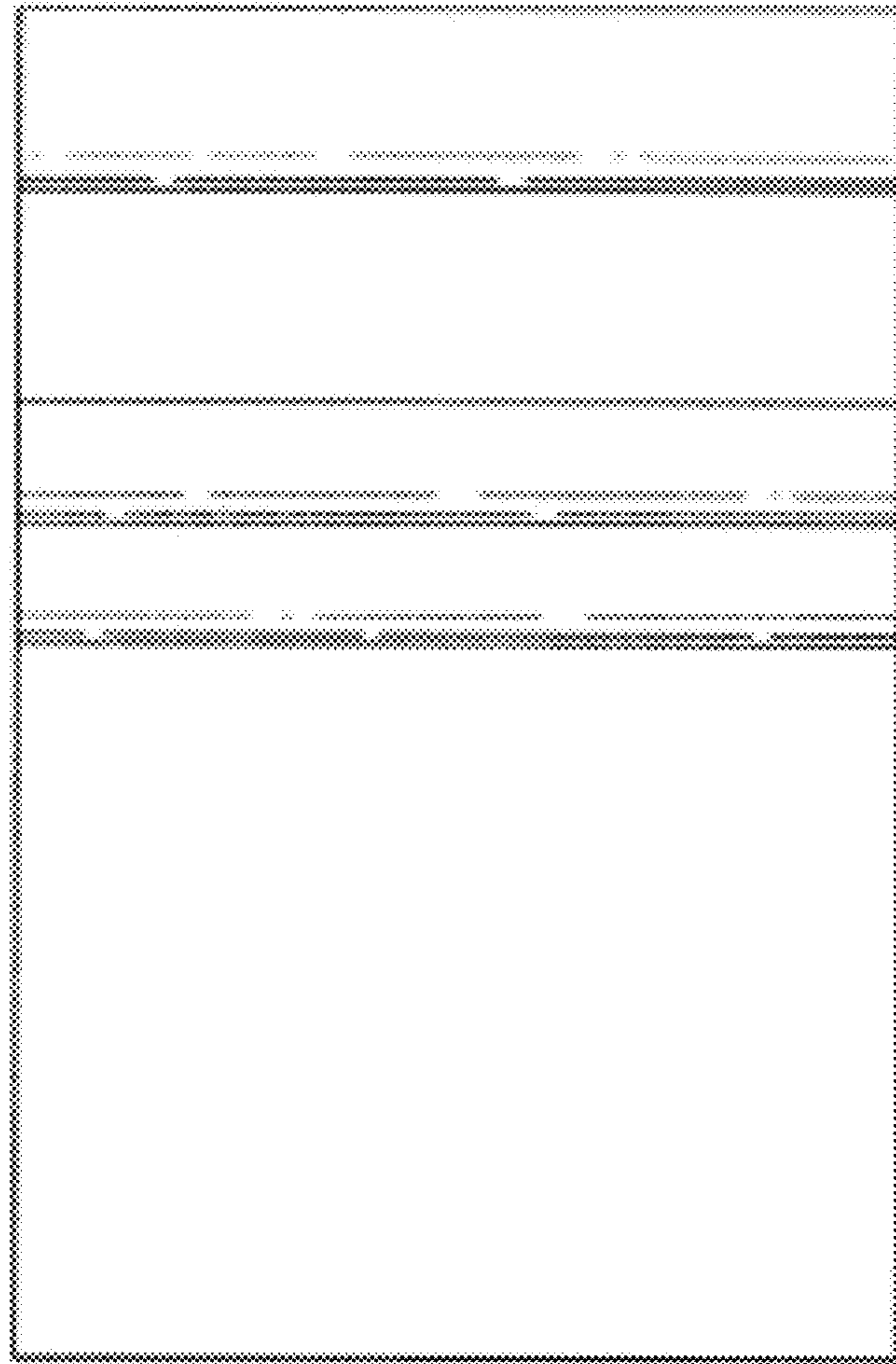


FIGURE 10

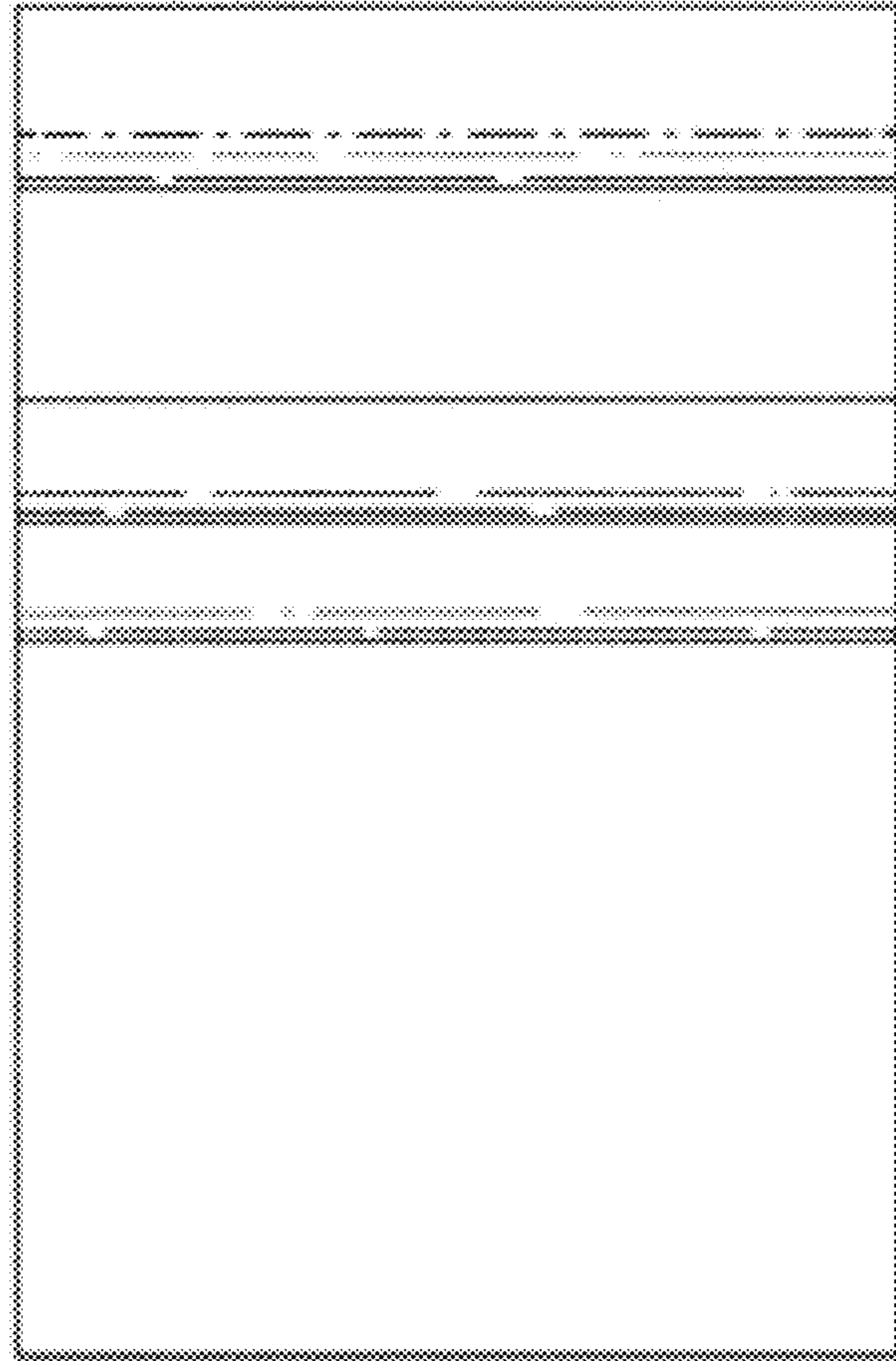


FIGURE 11

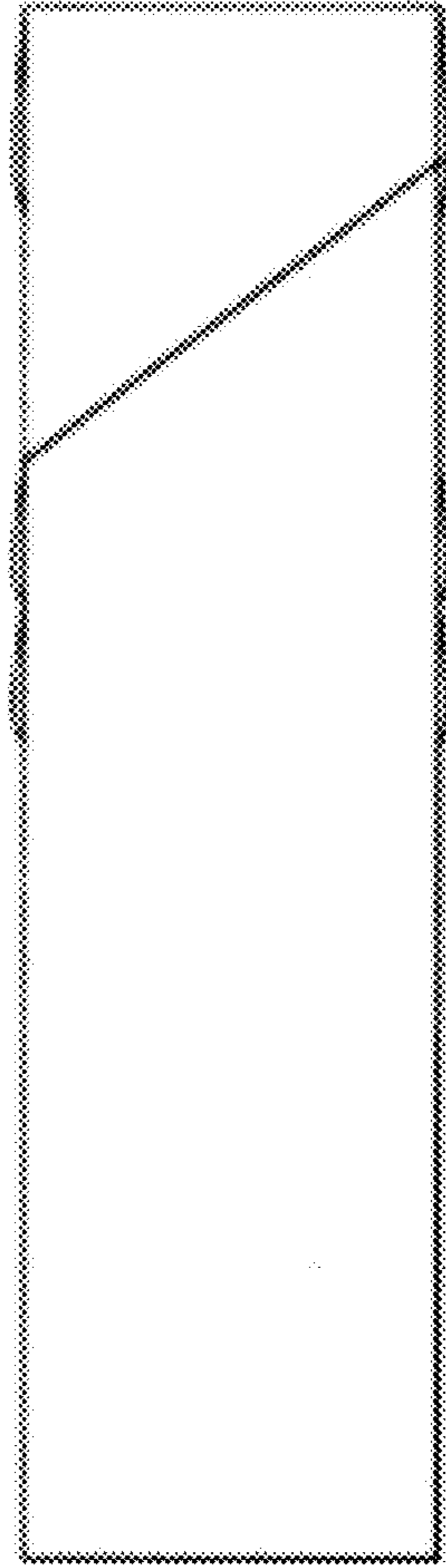


FIGURE 12

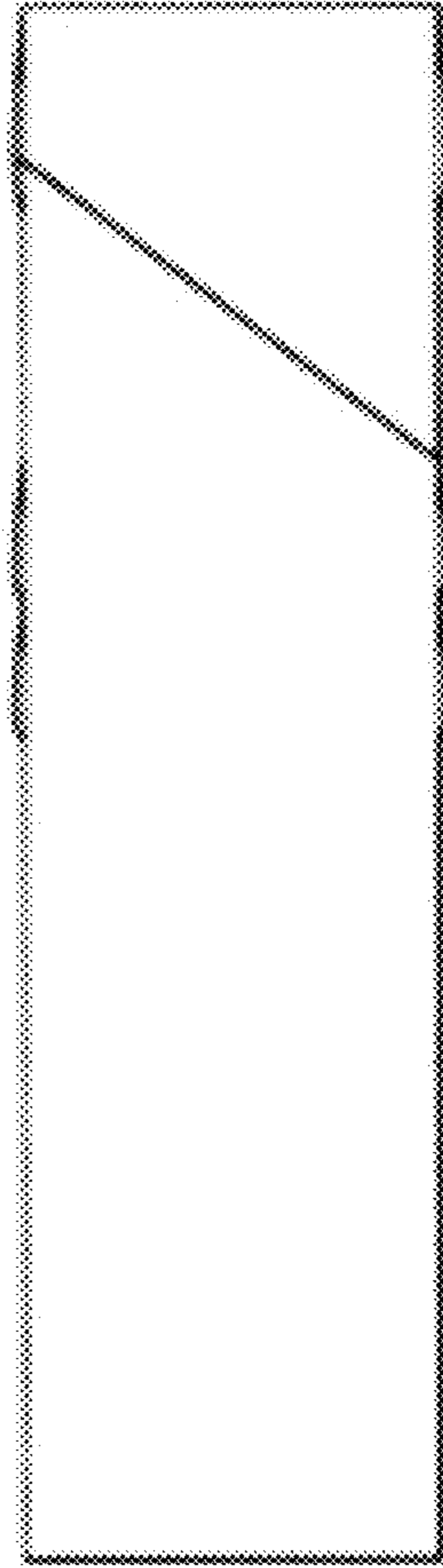


FIGURE 13



FIGURE 14



FIGURE 15

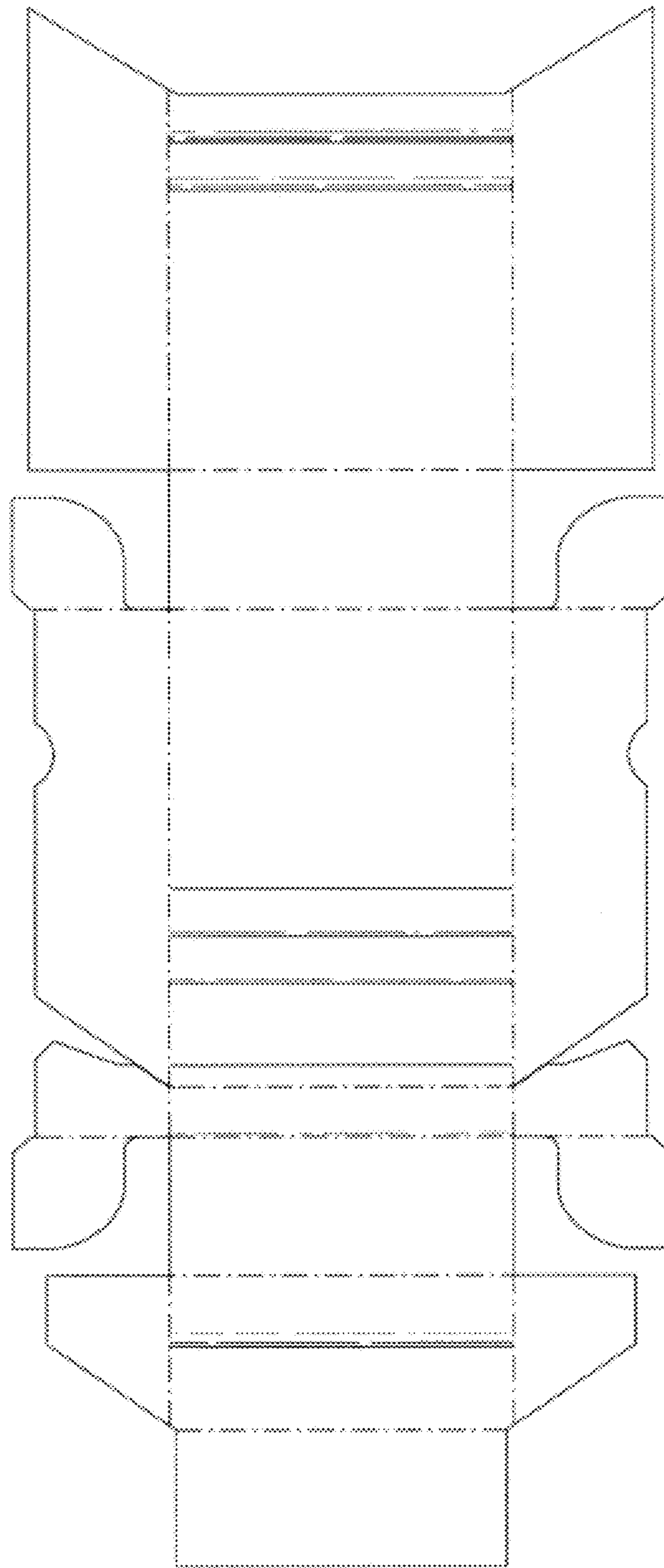


FIGURE 16

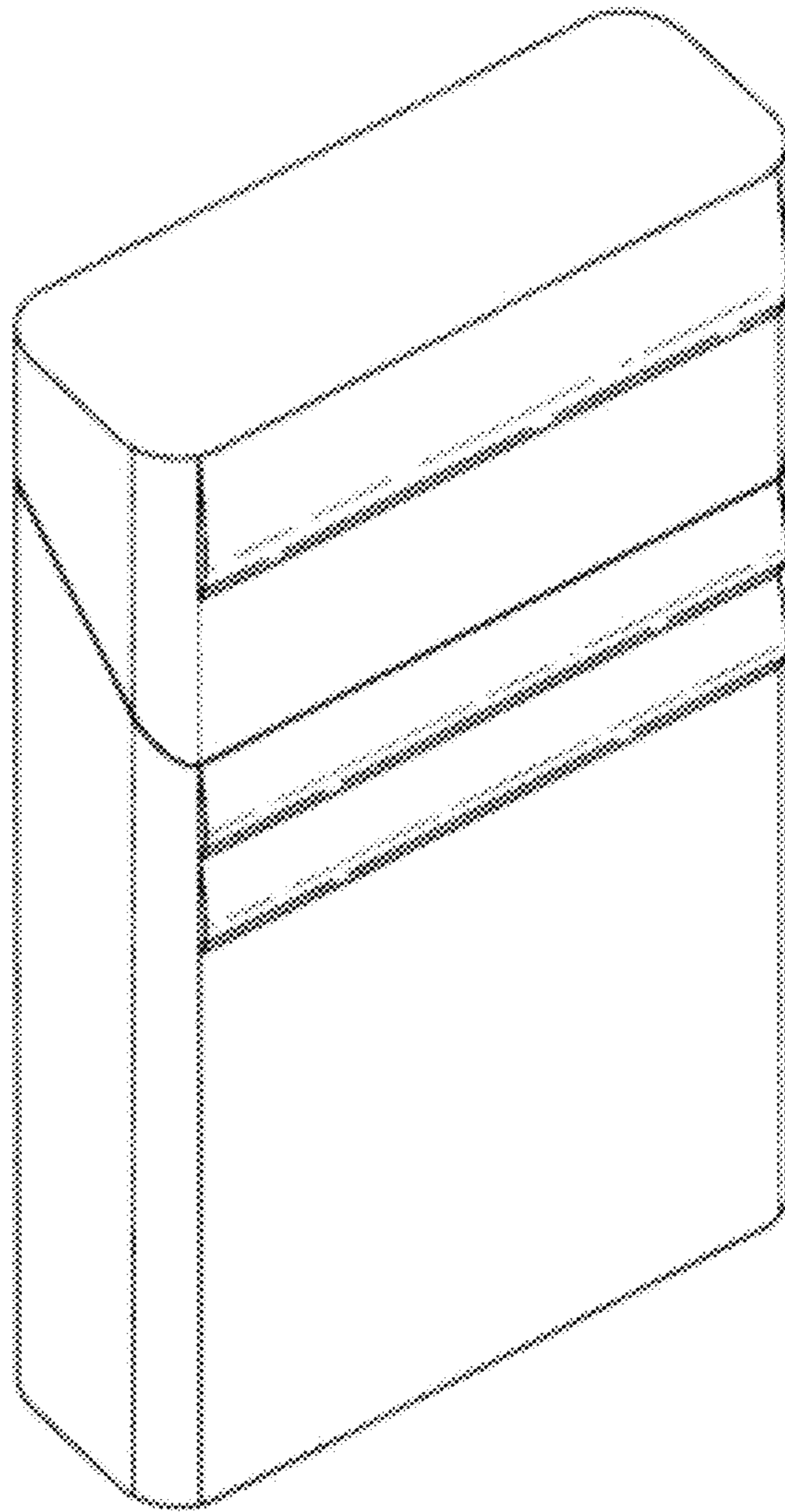


FIGURE 17

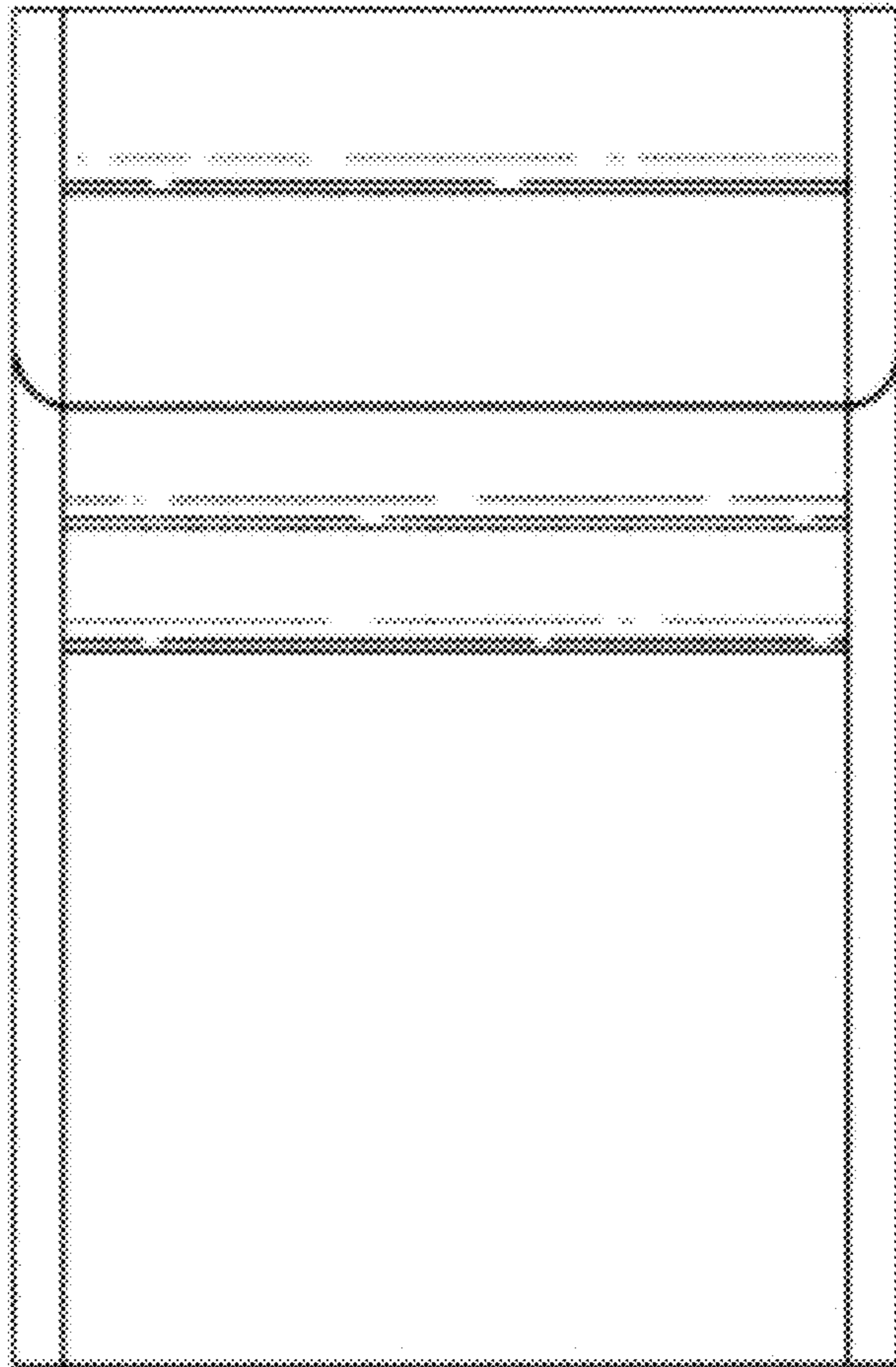


FIGURE 18

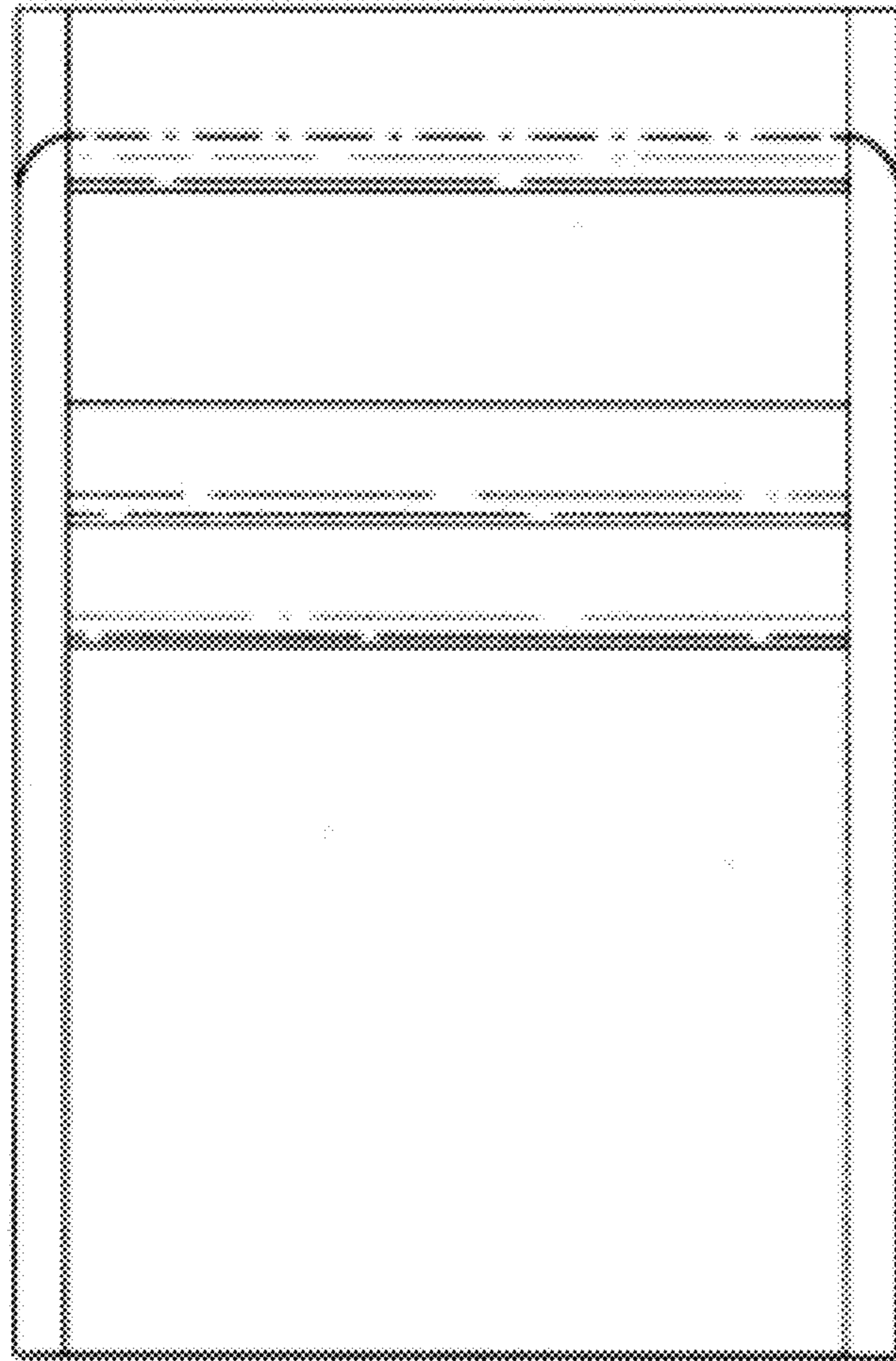


FIGURE 19

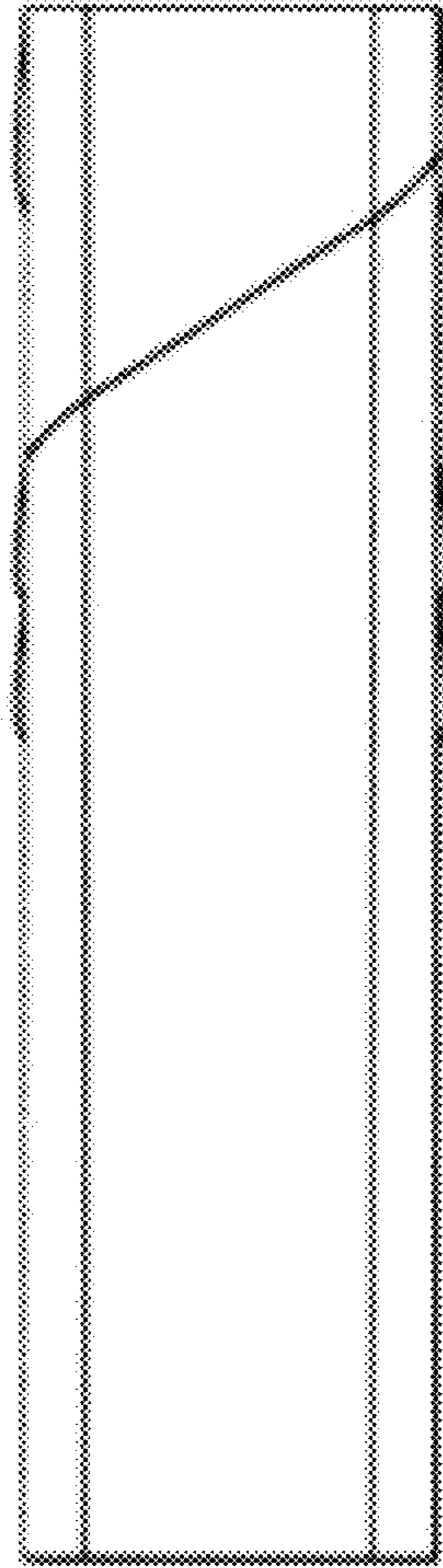


FIGURE 20

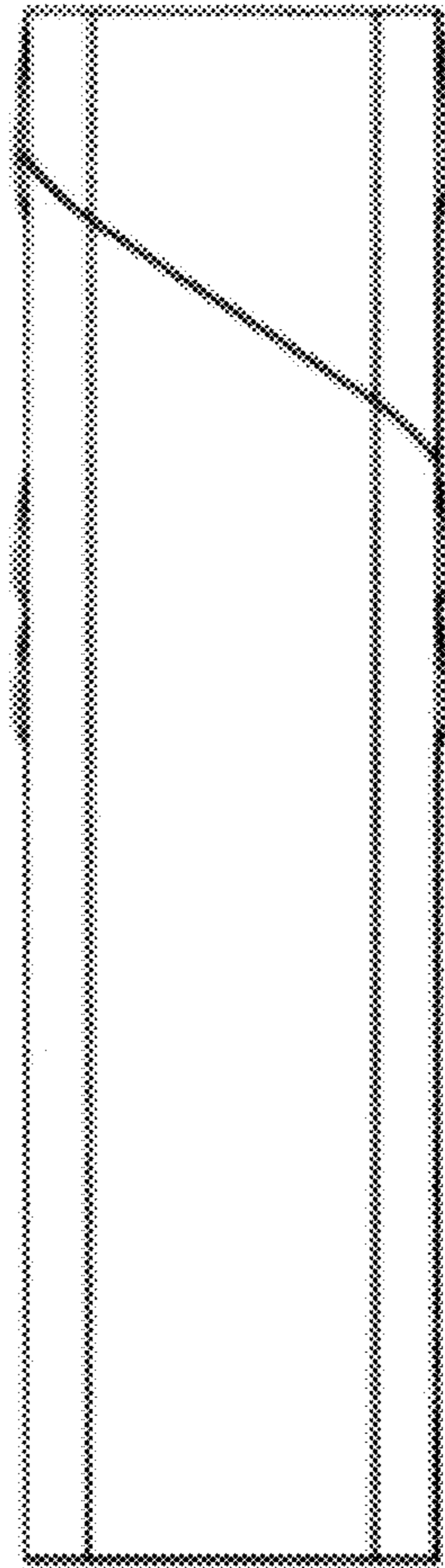


FIGURE 21



FIGURE 22



FIGURE 23

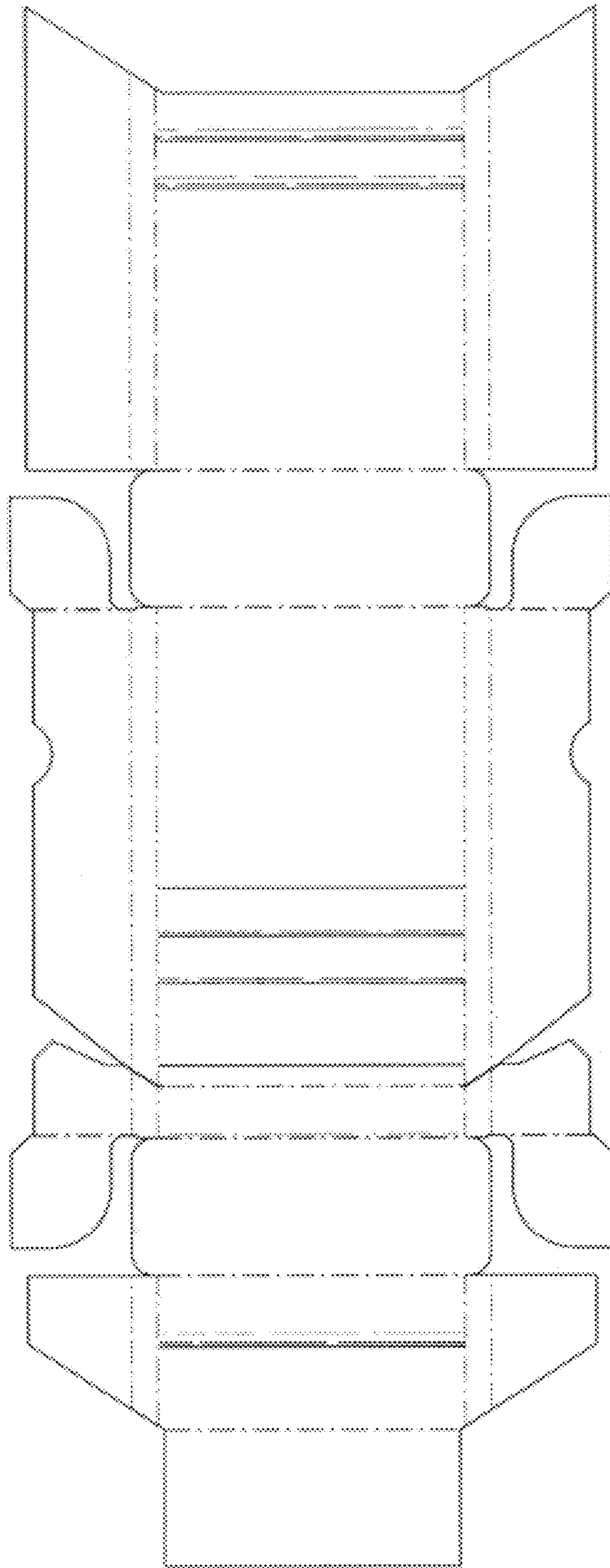


FIGURE 24