



US00D657239S

(12) **United States Design Patent**  
**Gavrilenkov et al.**

(10) **Patent No.:** **US D657,239 S**

(45) **Date of Patent:** **\*\* Apr. 10, 2012**

(54) **ORAL CARE PACKAGING**

(75) Inventors: **Valentin Valentinovich Gavrilenkov**,  
Saint-Petersburg (RU); **Maxine Jane**  
**Walter**, Egham (GB); **Mahis Zadorian**,  
Egham (GB)

(73) Assignee: **The Procter & Gamble Company**,  
Cincinnati, OH (US)

(\*\*) Term: **14 Years**

(21) Appl. No.: **29/360,406**

(22) Filed: **Apr. 26, 2010**

(30) **Foreign Application Priority Data**

Dec. 17, 2009 (WO) ..... 526219901

(51) **LOC (9) Cl.** ..... **09-03**

(52) **U.S. Cl.** ..... **D9/432**

(58) **Field of Classification Search** ..... D9/414,  
D9/418, 420-424, 430-433; D3/272; 206/267,  
206/269, 270, 273, 299, 737, 740, 822; 229/87.08,  
229/100, 101, 101.2, 101.3, 106, 108, 108.1,  
229/116.1, 116.3, 116.5, 121, 122, 193, 195,  
229/197, 201, 213, 221, 222, 227, 922, 939,  
229/942; D5/32

See application file for complete search history.

(56) **References Cited**

**U.S. PATENT DOCUMENTS**

D183,717 S 10/1958 Casler et al.  
D194,246 S 12/1962 Engelman  
D244,993 S 7/1977 Drysdale  
D273,462 S \* 4/1984 Mode ..... D9/431  
5,000,378 A 3/1991 Dorr et al.  
D389,055 S 1/1998 Seo et al.  
D391,847 S 3/1998 Seo et al.  
D394,385 S 5/1998 Laughlin  
D420,907 S 2/2000 Stacy-Ryan et al.  
D420,910 S \* 2/2000 Brown et al. .... D9/432

D436,032 S 1/2001 Croft et al.  
D436,033 S 1/2001 Croft et al.  
D460,355 S 7/2002 Lenz et al.  
D464,566 S 10/2002 Anchor et al.  
D468,638 S 1/2003 Nogami et al.  
D473,464 S 4/2003 Anchor et al.  
D512,630 S 12/2005 Tachikawa et al.  
D513,177 S 12/2005 Tachikawa et al.  
D518,368 S 4/2006 Tachikawa et al.

(Continued)

**FOREIGN PATENT DOCUMENTS**

AU 313333 3/2007

(Continued)

**OTHER PUBLICATIONS**

Picture of product believed to be seen on store shelf in Russia and/or  
Turkey around Jan.-Mar. of 2009.

*Primary Examiner* — Thomas Johannes

(74) *Attorney, Agent, or Firm* — Julie A. Glazer; Carrie M.  
Benjamin; David M. Weirich

(57) **CLAIM**

The ornamental design for oral care packaging, as shown and  
described.

**DESCRIPTION**

FIG. 1 is a perspective view of oral care packaging showing  
our new design;

FIG. 2 is a top plan view thereof;

FIG. 3 is a bottom plan view thereof;

FIG. 4 is a front elevational view thereof;

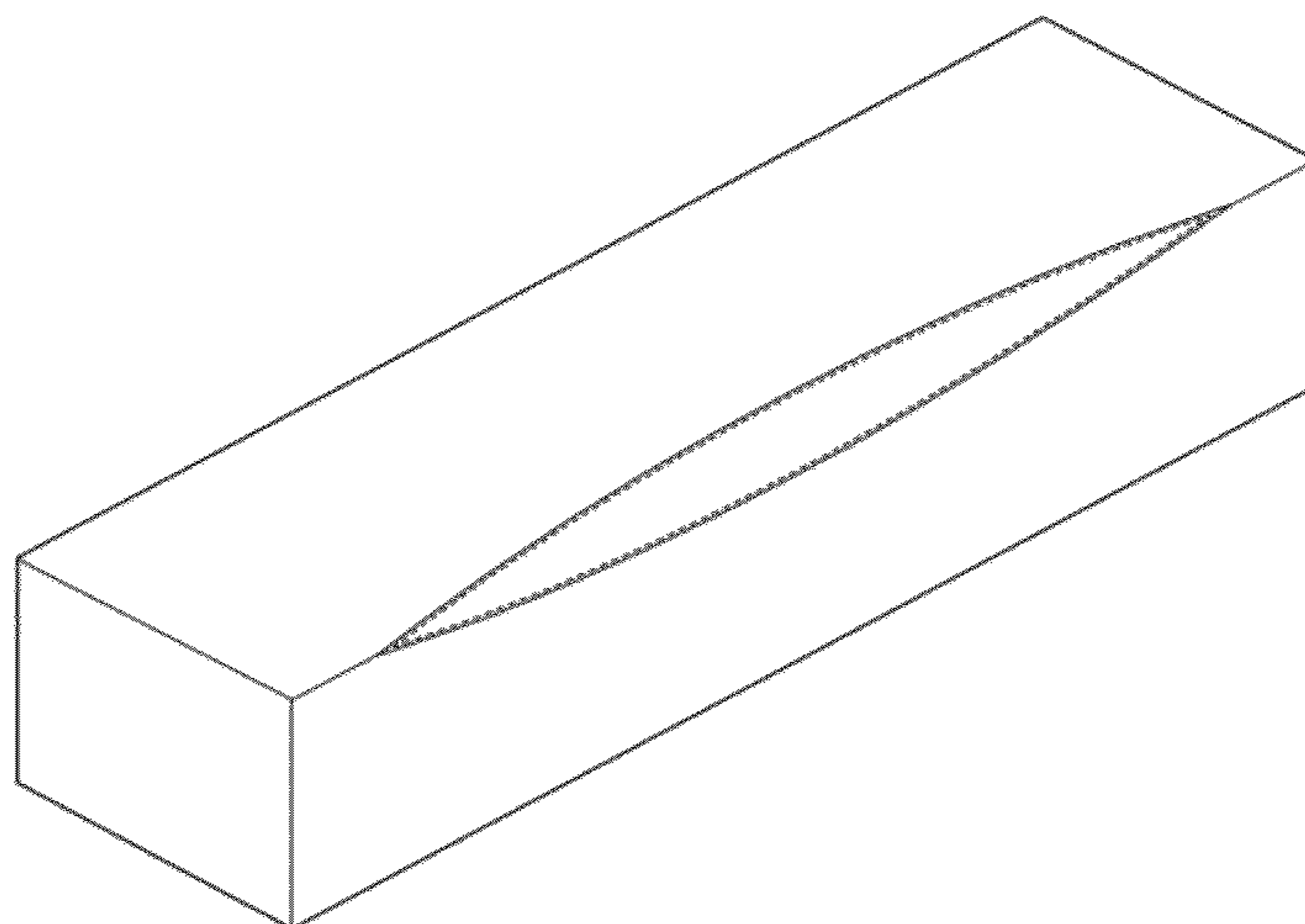
FIG. 5 is a rear elevational view thereof;

FIG. 6 is a left side elevational view thereof; and,

FIG. 7 is a right side elevational view thereof.

The special dot-dash broken lines shown in FIGS. 1, 2 and 4  
define the bounds of the claimed design and form no part  
thereof.

**1 Claim, 2 Drawing Sheets**



# US D657,239 S

Page 2

---

## U.S. PATENT DOCUMENTS

D519,832 S	5/2006	Demathieu et al.
D521,373 S	5/2006	Stanton
D521,376 S	5/2006	Mosto
D538,156 S	3/2007	Ayats et al.
D549,096 S	8/2007	Ayats et al.
D553,496 S	10/2007	Martuch et al.
D554,509 S	11/2007	Ghalebi
D562,129 S	2/2008	Kortsmit et al.
D562,130 S	2/2008	Kortsmit et al.
D564,886 S	3/2008	Ghalebi
D578,389 S	10/2008	Kalberer
D589,791 S	4/2009	Kalberer
7,523,853 B2	4/2009	Kortsmit et al.
D596,027 S	7/2009	Kalberer
D601,016 S	9/2009	Kalberer
D602,631 S	10/2009	Steinkamp
2008/0135607 A1	6/2008	Barthel et al.

## FOREIGN PATENT DOCUMENTS

AU	313335	3/2007
AU	320238	7/2008
AU	320239	7/2008
AU	320240	7/2008
CA	100817	7/2003
GB	2068742	5/1998
GB	2094873	10/2000
GB	2091409	1/2001
GB	3001020	10/2002
GB	3004410	4/2003
GB	3004411	4/2003
GB	3004412	4/2003
GB	4001247	2/2007
WO	001155832-0003	* 7/2009

\* cited by examiner

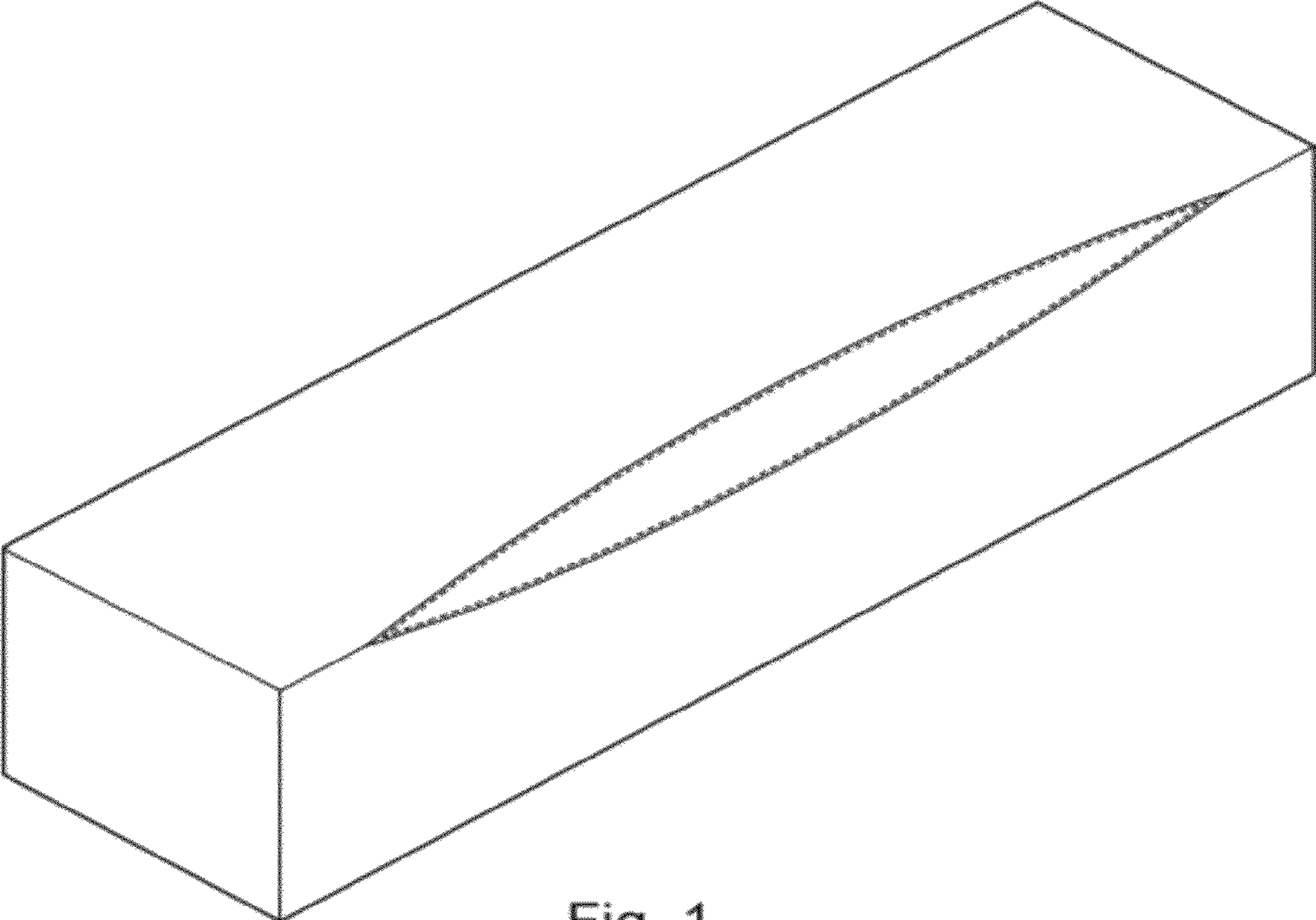


Fig. 1

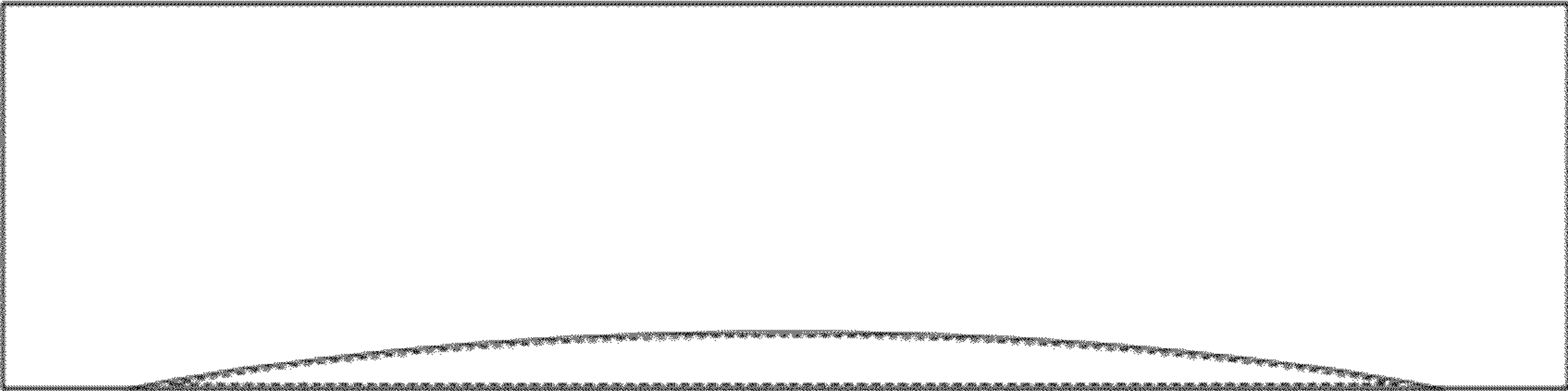


Fig. 2



Fig. 3



Fig. 4



Fig. 5

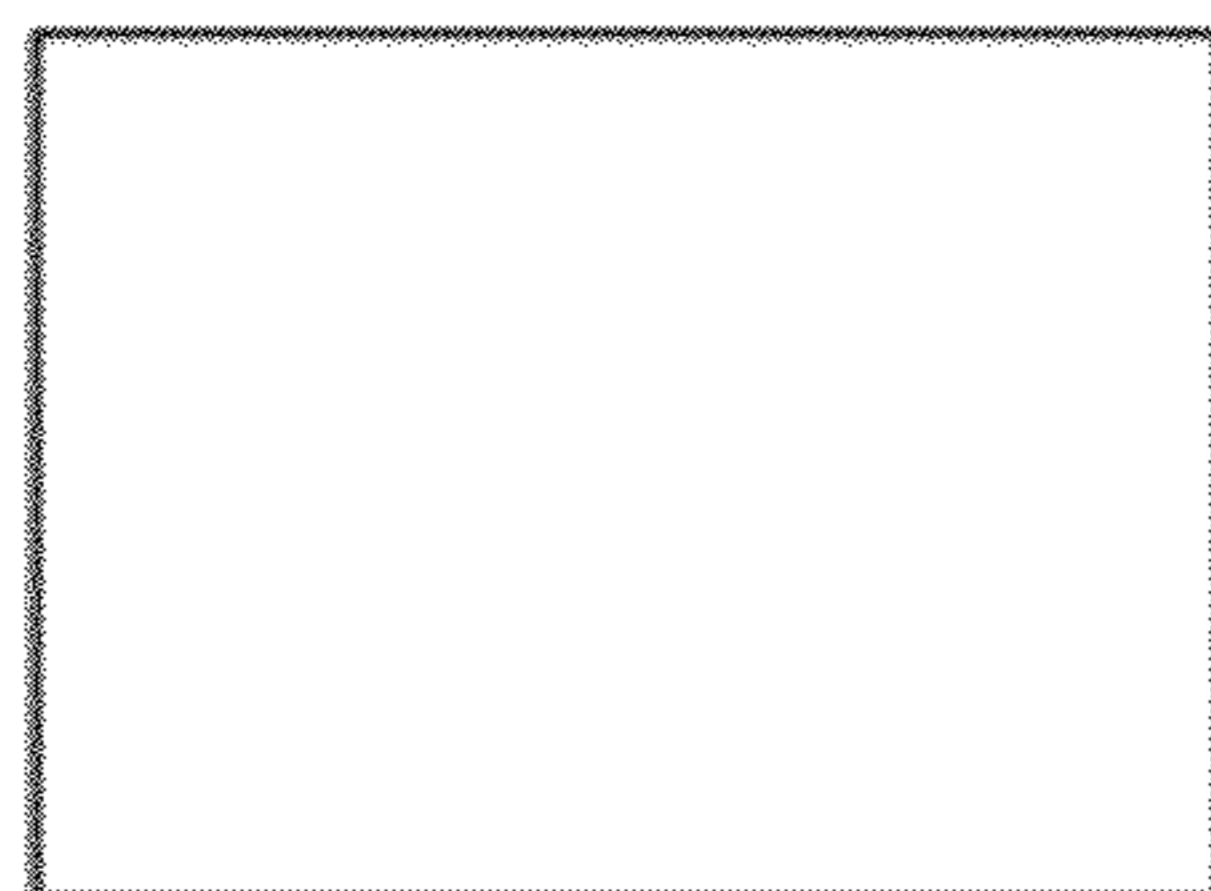


Fig. 6

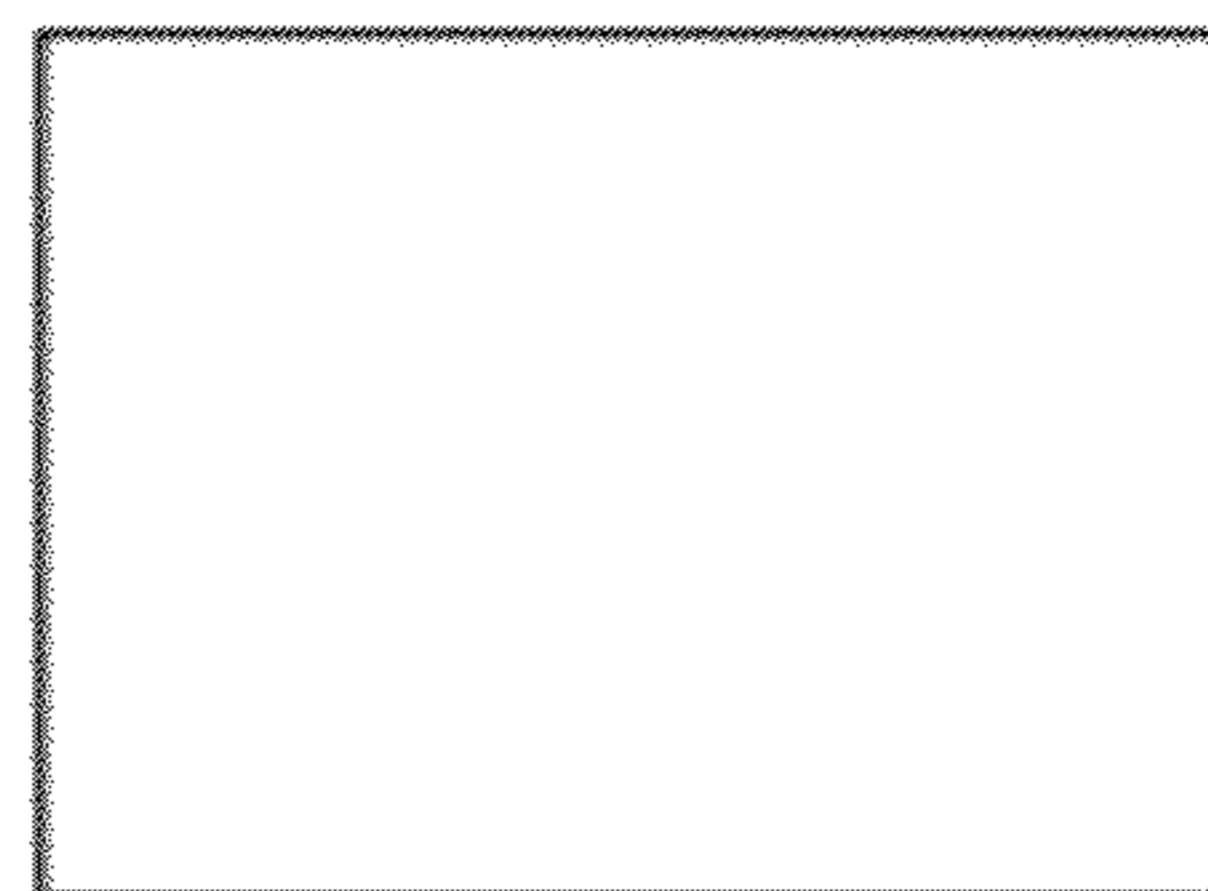


Fig. 7