



US00D657236S

(12) **United States Design Patent**
Knutsen

(10) **Patent No.:** **US D657,236 S**

(45) **Date of Patent:** **** Apr. 10, 2012**

(54) **SNOW STOPPER FOR ROOFS**

(75) Inventor: **Knut Nordvald Knutsen**, Kolbotn (NO)

(73) Assignee: **Caneias ANS**, Kolbotn (NO)

(**) Term: **14 Years**

(21) Appl. No.: **29/388,088**

(22) Filed: **Mar. 23, 2011**

(30) **Foreign Application Priority Data**

Oct. 5, 2010 (EM) 001763574

(51) **LOC (9) Cl.** **08-99**

(52) **U.S. Cl.** **D8/499**

(58) **Field of Classification Search** D8/400-499;

D25/199; 52/24-26, 545, 533, 98

See application file for complete search history.

(56) **References Cited**

U.S. PATENT DOCUMENTS

591,594	A *	10/1897	Esselen	52/26
D30,788	S *	5/1899	Clark	D8/499
625,144	A *	5/1899	Clark	52/24
1,475,931	A *	12/1923	Campbell	52/24
1,983,518	A *	12/1934	Buedel	52/26
5,371,979	A *	12/1994	Kwiatkowski et al.	52/24

D367,814	S *	3/1996	Zaleski	D8/499
5,655,334	A *	8/1997	Kwiatkowski	52/24
D533,002	S *	12/2006	Recknagel et al.	D6/566
D537,336	S *	2/2007	Fisher	D8/499
D610,444	S *	2/2010	Fisher	D8/499
7,874,105	B2 *	1/2011	Jacobs et al.	52/26
2009/0205262	A1 *	8/2009	Andrew	52/26

* cited by examiner

Primary Examiner — Barbara Fox

(74) *Attorney, Agent, or Firm* — Knobbe, Martens, Olson & Bear LLP

(57) **CLAIM**

The ornamental design for a snow stopper for roofs, as shown and described.

DESCRIPTION

FIG. 1 is a perspective view of the embodiment of the design for a snow stopper for roofs showing the top, front, and right sides of the new design.

FIG. 2 is a front view thereof.

FIG. 3 is a back view thereof.

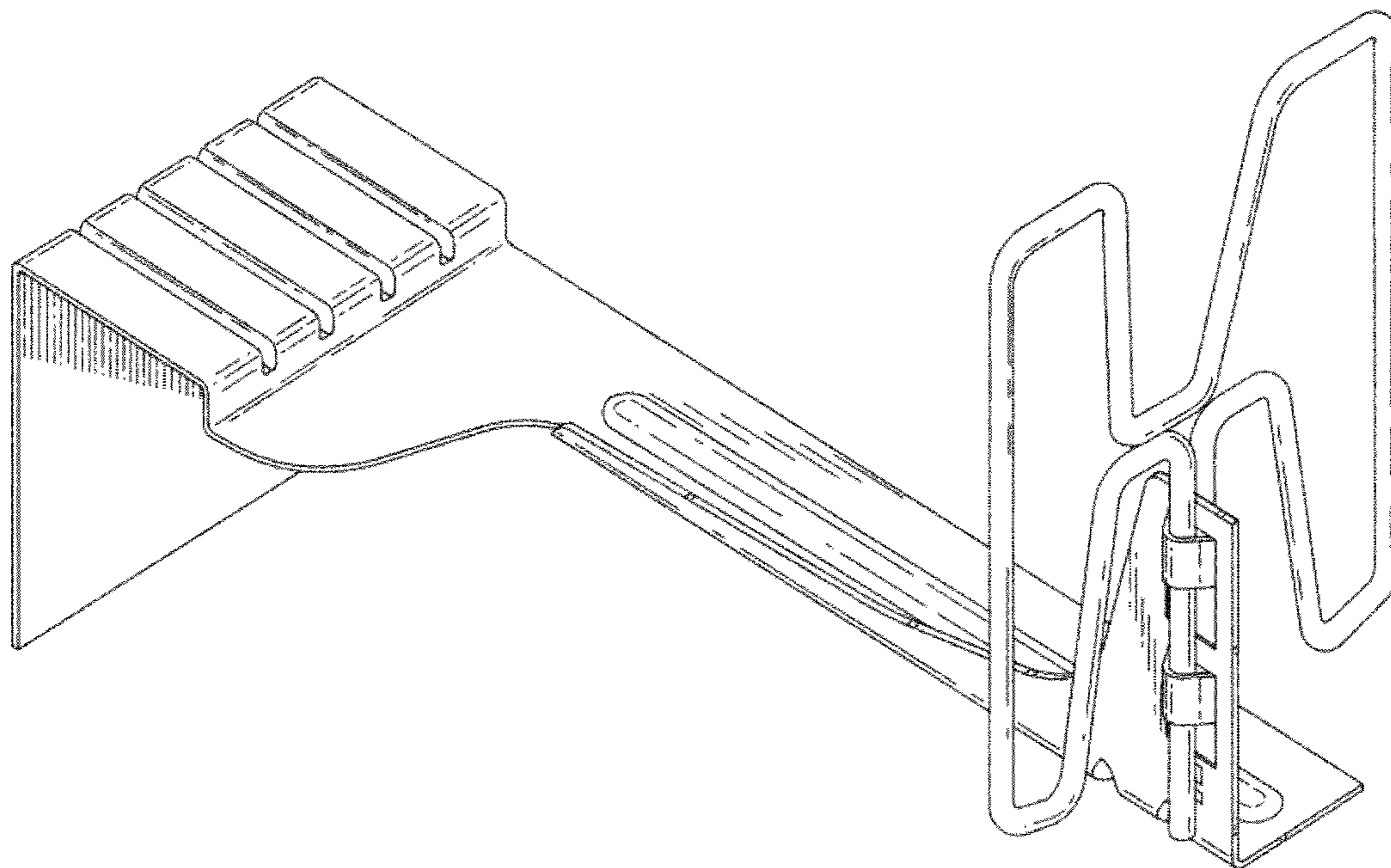
FIG. 4 is right side view thereof.

FIG. 5 is left side view thereof.

FIG. 6 is top view thereof; and,

FIG. 7 is a bottom view thereof.

1 Claim, 4 Drawing Sheets



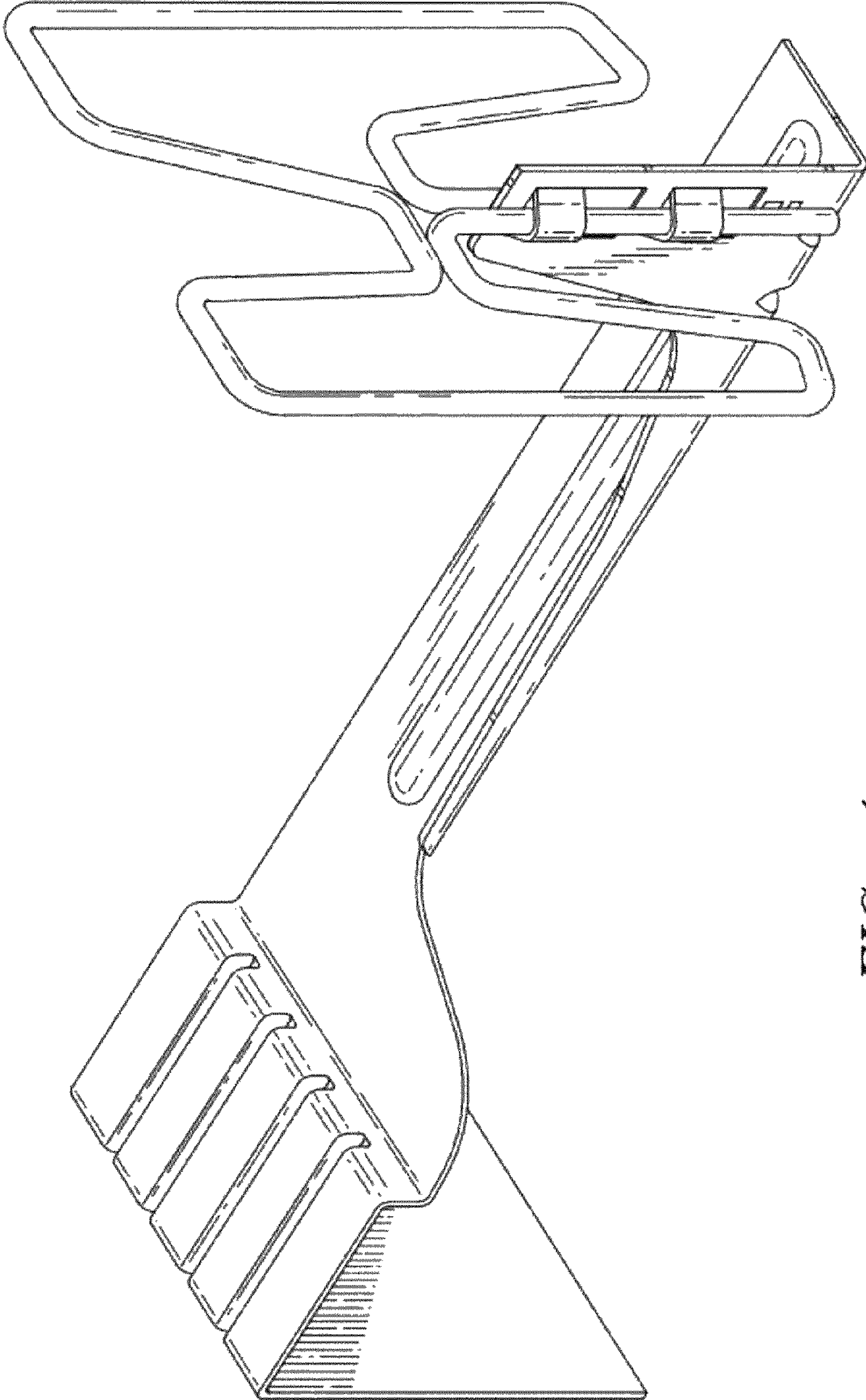


FIG. 1

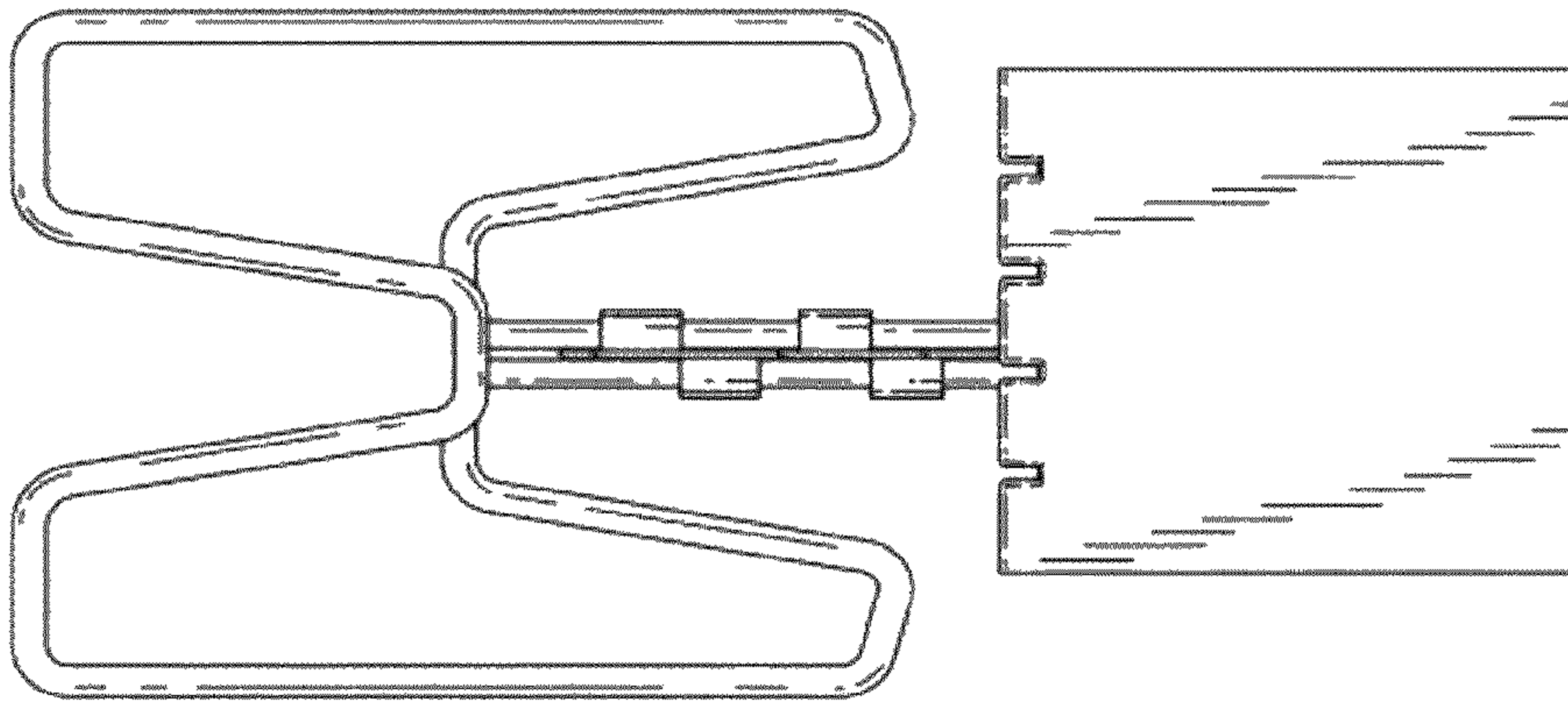


FIG. 3

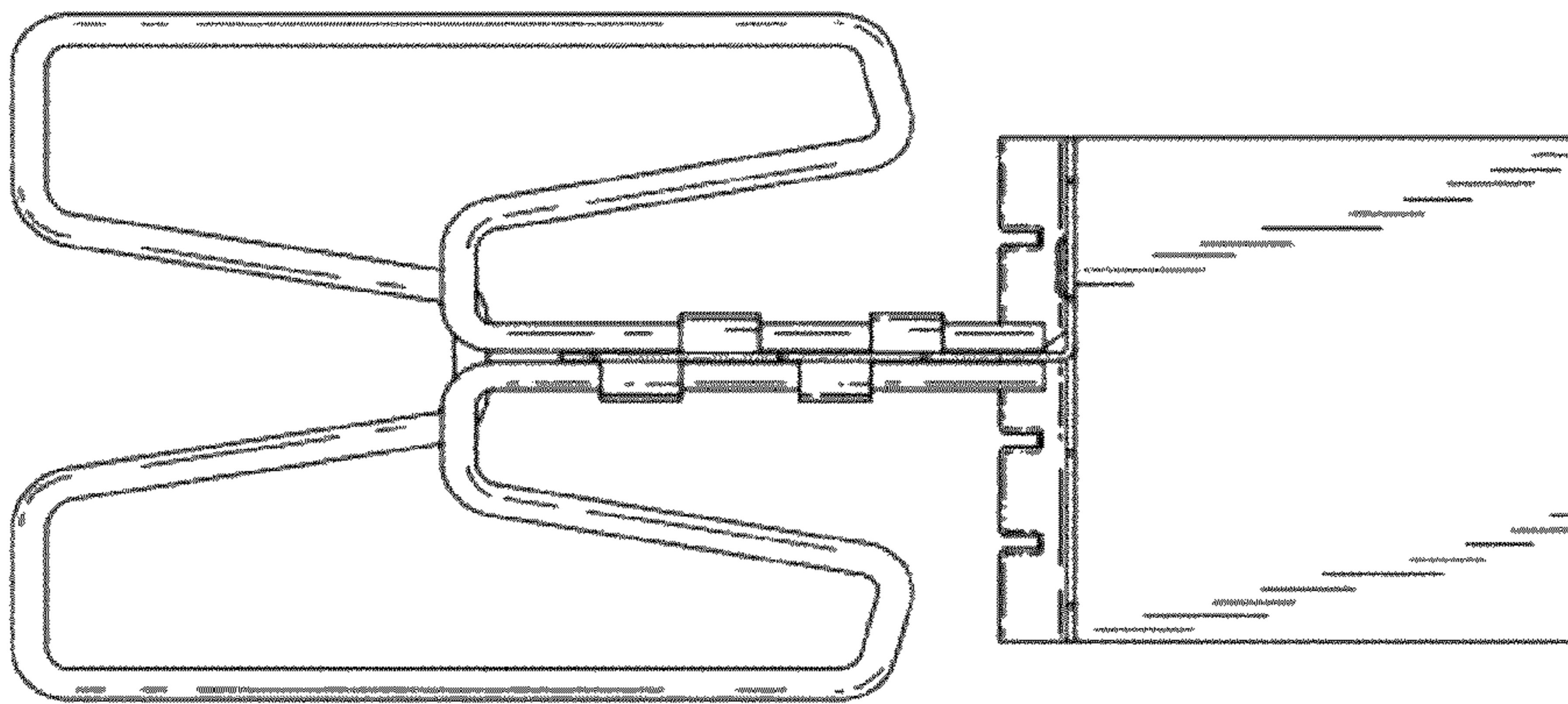


FIG. 2

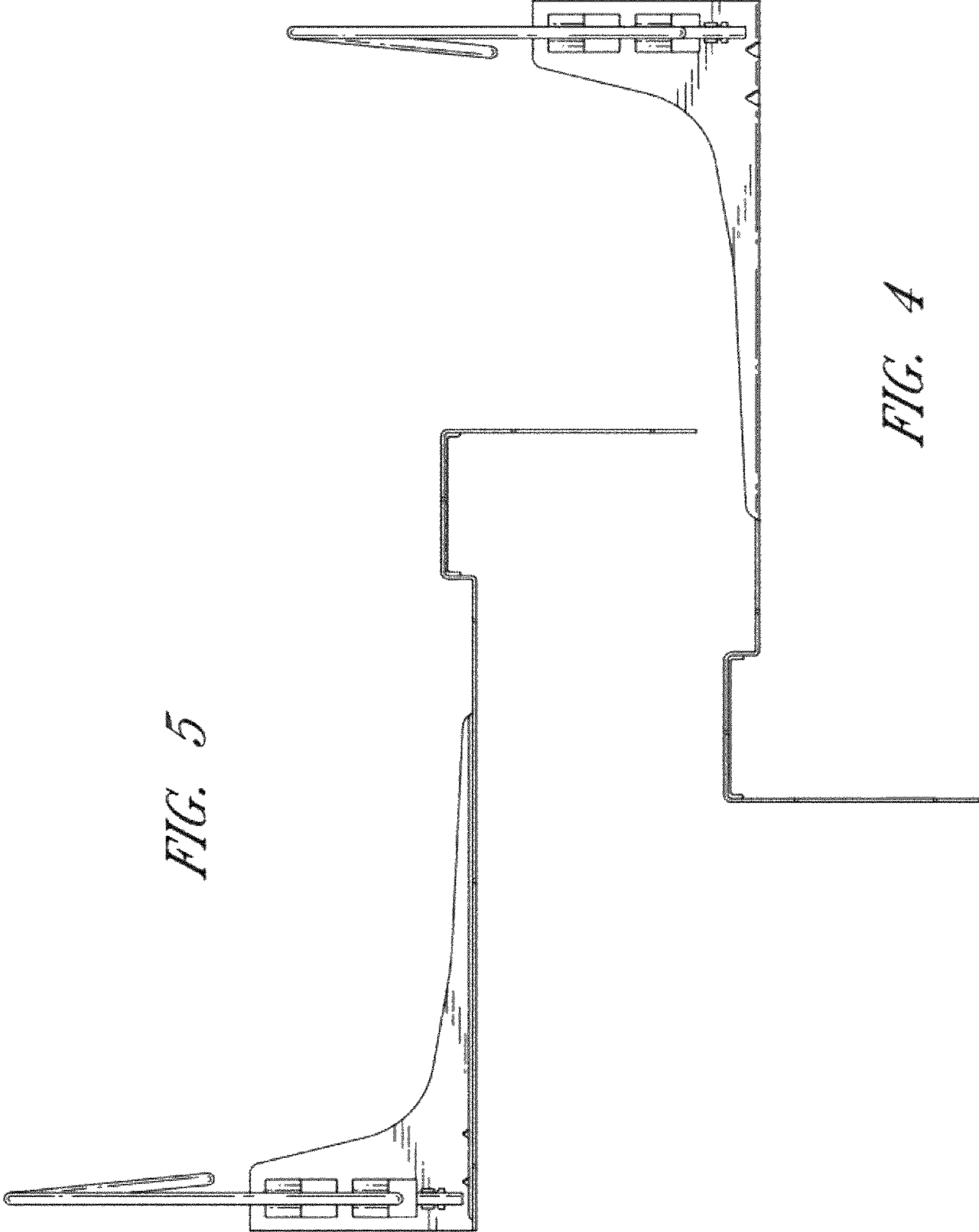


FIG. 5

FIG. 4

